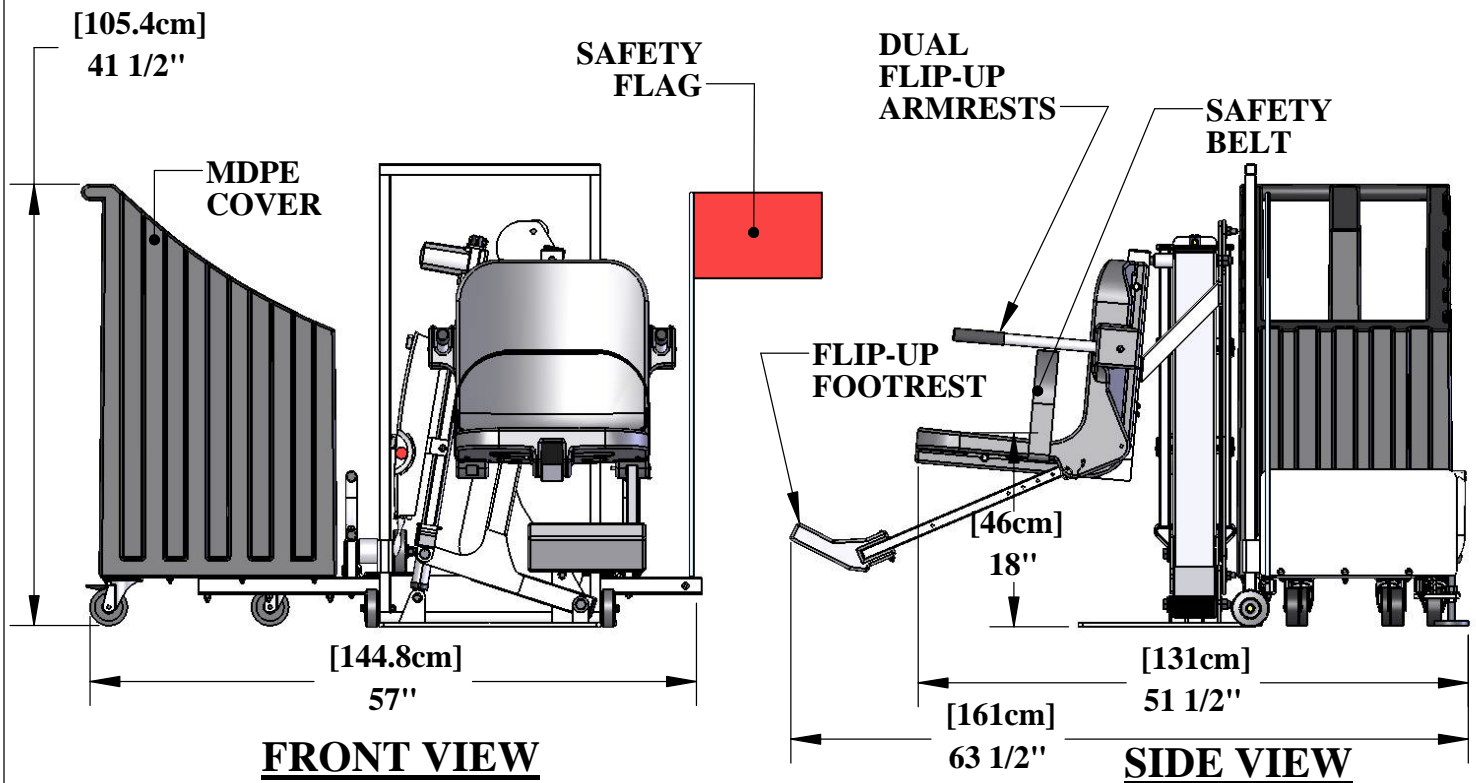


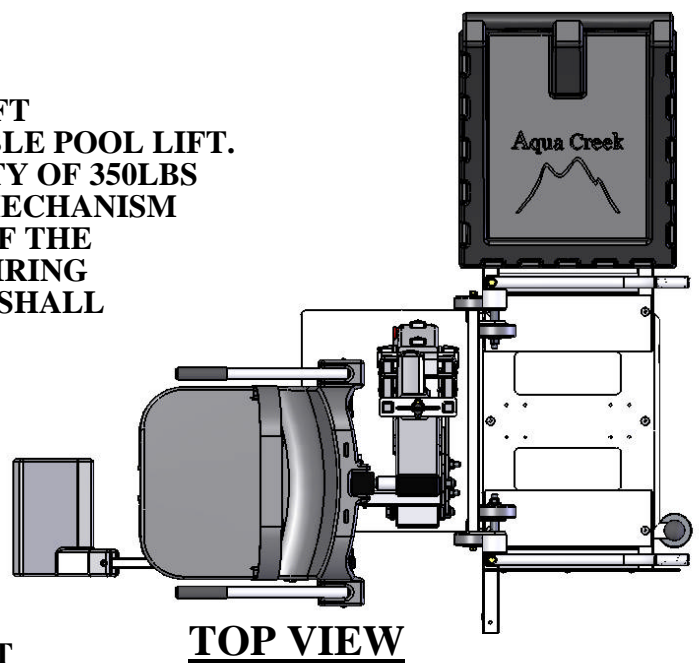
REBEL™ POOL LIFT



SPECIFICATIONS:

THE AQUA CREEK PRODUCTS' REBEL POOL LIFT SHALL BE AN ADA COMPLIANT FULLY PORTABLE POOL LIFT. IT SHALL HAVE A MAXIMUM LIFTING CAPACITY OF 350LBS (159 kg). IT SHALL INCORPORATE A ROLLING MECHANISM ALLOWING THE LIFT TO BE STORED ON TOP OF THE CART FOR TRANSPORTATION WITHOUT REQUIRING TOOLS. IN THE TRANSPORT MODE THE CHAIR SHALL BE REMOVABLE, ALLOWING THE UNIT TO FIT THROUGH A 36" OPENING. ALL METAL COMPONENTS SHALL BE MADE OF TYPE 304 STAINLESS STEEL, AND SHALL BE POWDER COATED FOR ADDITIONAL CORROSION RESISTANCE. THE COVER, SEAT AND FOOTREST SHALL BE MADE FROM ROTOMOLDED POLYETHYLENE. ALL OTHER PLASTIC PARTS SHALL BE MADE FROM HIGH-DENSITY POLYETHYLENE. DUAL FLIP-UP ARMRESTS, A FLIP-UP FOOTREST AND A SAFETY BELT SHALL COME AS STANDARD EQUIPMENT. THE REBEL POOL LIFT SHALL CARRY A LIMITED 2-YEAR WARRANTY.

- FRAME: 1-1/2" x .180" WALL SQR. TUBING, TYPE 304 S.S.
- BASE PLATE: 3/8" THK. PLATE, TYPE 304 S.S.
- COVER: ROTOMOLDED MDPE (MEDIUM DENSITY POLYETHYLENE)
- CASTERS: Ø 3-1/2" RUBBER WHEEL, STAINLESS STEEL FRAME (2 WITH BRAKES)



Inspected And Verified To Meet Applicable Sections of ADA Guidelines Section 1009.2 By

wyle
laboratories

An ISO 9001:2008 Registered Laboratory

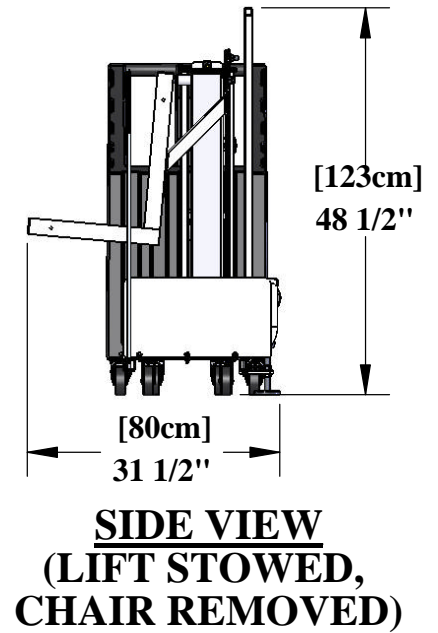
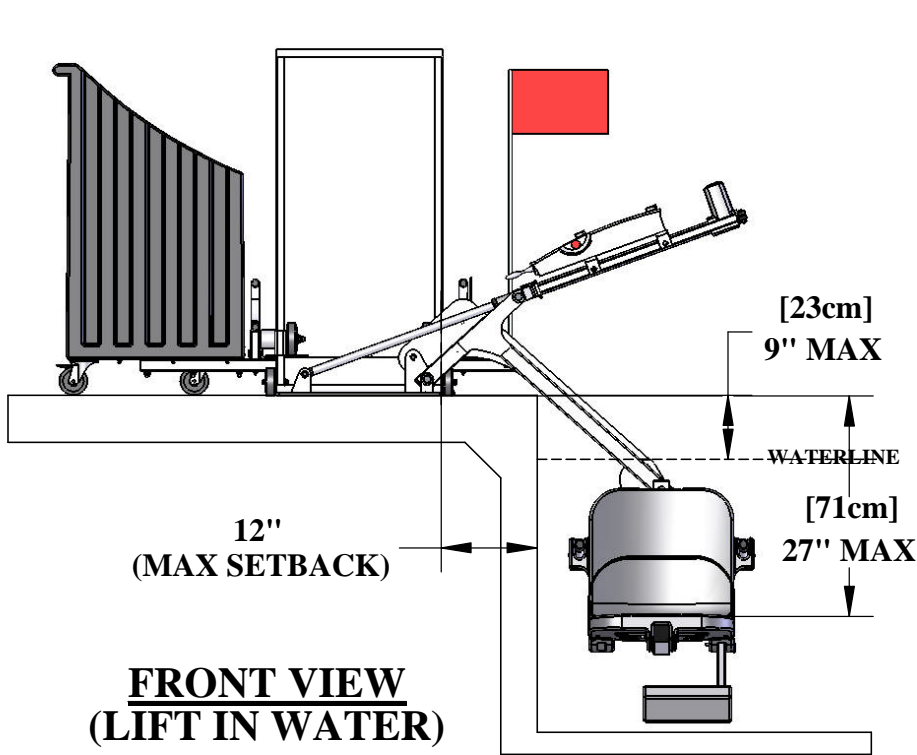
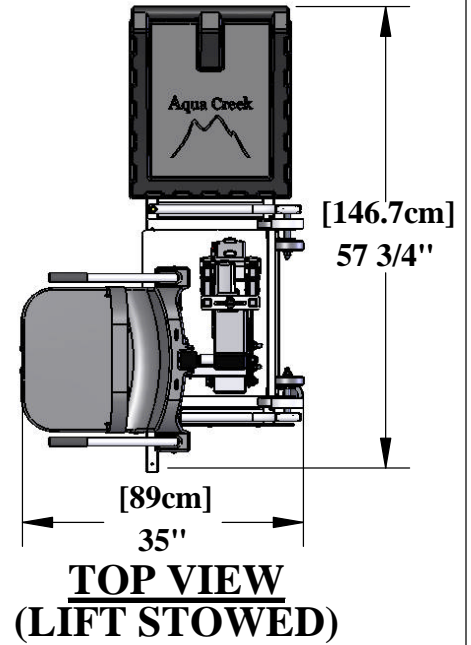
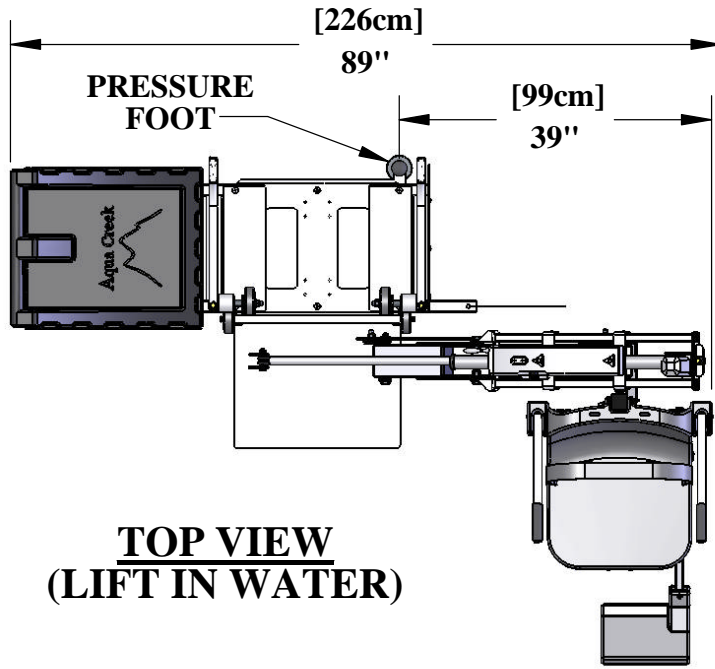
9889 GARRYMORE LANE
MISSOULA, MT 59808
(406) 549-0769
FAX (406) 549-2602

NOTE:
*SPECIFICATIONS ARE SUBJECT TO CHANGE WITHOUT NOTICE

PRODUCT:	F-2PR	
DWG #:	F-2PR-1	
SCALE:	1:24	DATE: 11/14/11
DRAWN BY:	DS	REVISION: C

Aqua Creek Products
The Total Solution for Pool and Spa Access

REBEL™ POOL LIFT



Inspected And Verified To Meet
Applicable Sections of ADA
Guidelines Section 1009.2 By

wyle
laboratories

An ISO 9001:2008
Registered Laboratory

Aqua Creek Products
The Total Solution for Pool and Spa Access

9889 GARRYMORE LANE
MISSOULA, MT 59808
(406) 549-0769
FAX (406) 549-2602

NOTE:
*SPECIFICATIONS ARE SUBJECT TO CHANGE WITHOUT NOTICE

PRODUCT:	F-2PR	
DWG #:	F-2PR-2	
SCALE:	1:24	DATE: 11/14/11
DRAWN BY:	DS	REVISION: C