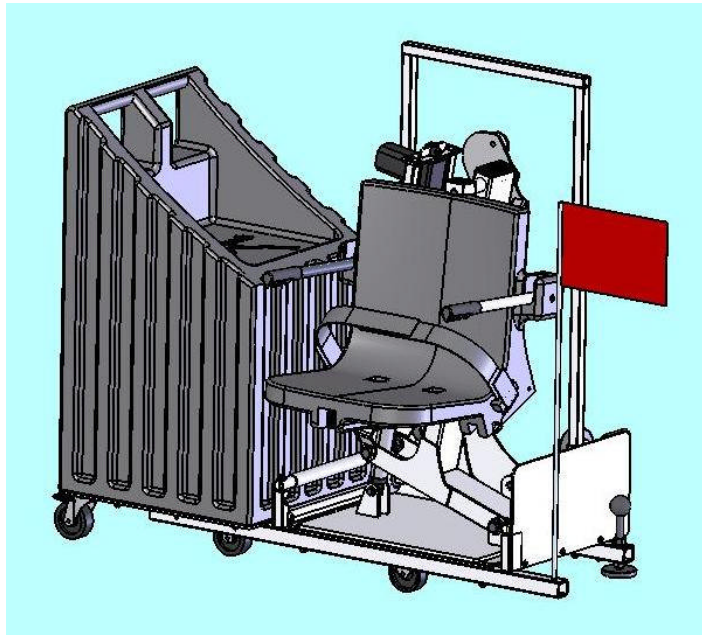


INSTALLATION AND OPERATING INSTRUCTIONS



REBEL™ PORTABLE POOL LIFT

300 LB. [136kg] MAXIMUM CAPACITY (RANGER LIFT)
MANDATORY – LEAVE THIS MANUAL WITH LIFT OWNER



9889 GARRYMORE LANE
MISSOULA, MT 59808
1-888-687-3552
FAX: 406-549-2602

Inspected And Verified To Meet
Applicable Sections of ADA
Guidelines Section 1009.2 By

wyle
laboratories

A Nationally Recognized
Test Laboratory



WARNING

IMPORTANT SAFETY INSTRUCTIONS

1. READ AND FOLLOW ALL INSTRUCTIONS. LIFT SAFETY CAN ONLY BE ENSURED IF THE LIFT IS INSTALLED AND OPERATED PROPERLY – AS PER INSTRUCTIONS.
2. WARNING- TO REDUCE RISK OF INJURY, DO NOT PERMIT CHILDREN TO USE THIS PRODUCT UNLESS THEY ARE CLOSELY SUPERVISED AT ALL TIMES.
3. WARNING- DO NOT PERMIT CHILDREN TO PLAY ON THIS PRODUCT.
4. WARNING- NEVER APPLY DIRECT WATER PRESSURE TO ELECTRONIC COMPONENTS.
5. WARNING – DO NOT OPERATE THIS LIFT IF THE DECK-TO-WATER DISTANCE IS OVER 9”.
6. WARNING – DO NOT OPERATE THIS LIFT UNDER LOAD IN A DRY POOL (NO WATER).
7. WARNING – DO NOT OPERATE THIS LIFT WITHOUT THE 10 WEIGHT-PLATES INSTALLED.
8. SAVE A COPY OF THESE INSTRUCTIONS.

REBEL PORTABLE POOL LIFT

TABLE OF CONTENTS

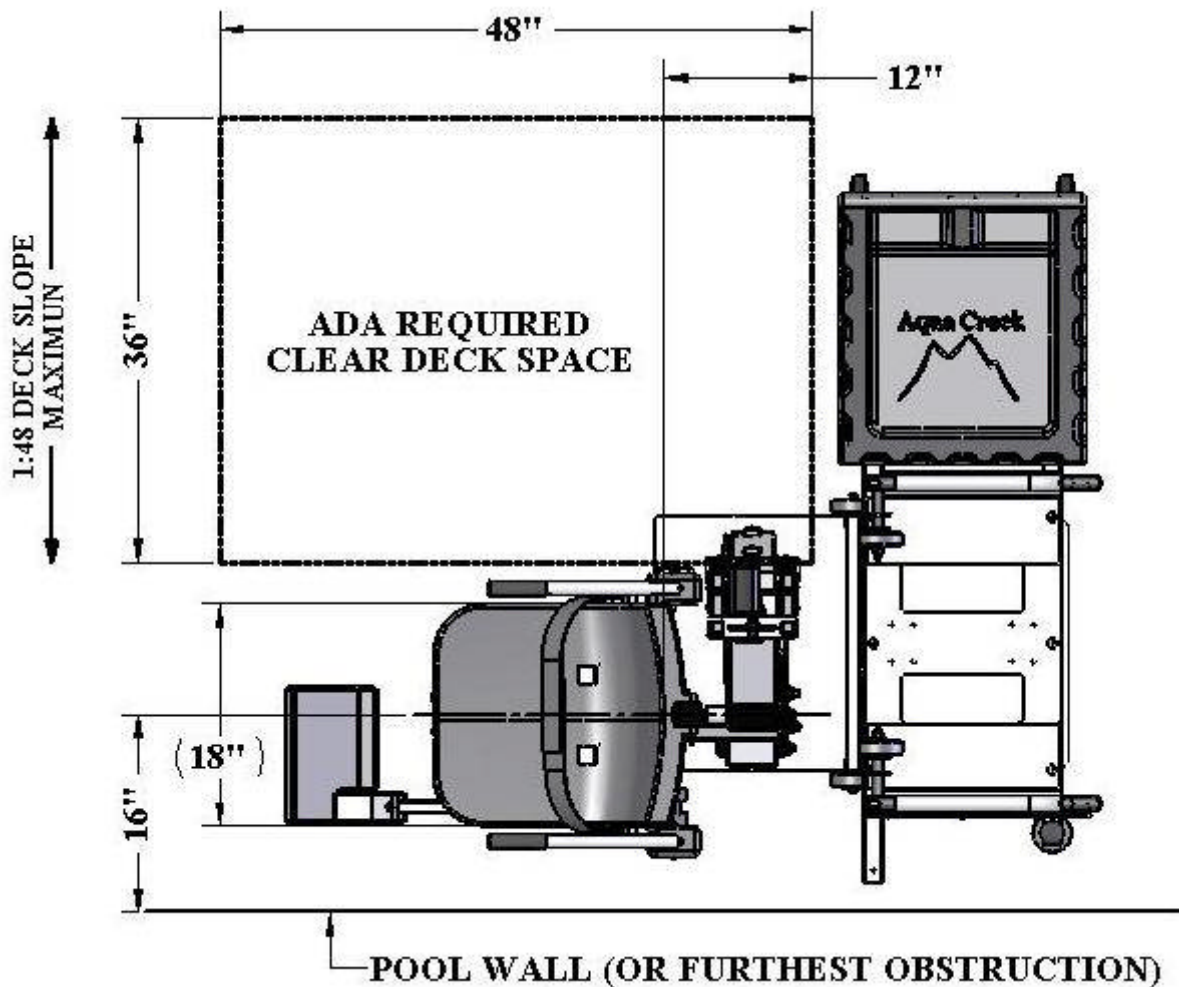
<u>PAGE</u>	<u>DESCRIPTION</u>
3	ADA INSTALLATION GUIDELINES
4	REBEL PORTABLE PACKING LIST
5-6	REBEL PORTABLE ASSEMBLY INSTRUCTIONS
7-8	TRANSPORTING & USING THE REBEL PORTABLE
8	24V BATTERY OP & INSTALL INSTRUCTIONS
9	RANGER LIFT OPERATING INSTRUCTIONS
10-11	CARE OF YOUR LIFT
12-15	TROUBLESHOOTING GUIDE
16	INTEGRATED RANGER LIFT: PARTS LIST
17	REBEL CART: PARTS LIST
18	SEAT & FOOTREST: PARTS LIST
19	WARRANTY

INSTALLATION: ADA GUIDELINES

ADA REQUIREMENTS:

The REBEL™ PORTABLE LIFT is designed and manufactured to be 100% ADA compliant. But for the installed lift to be 100% compliant the installation must meet the requirement for CLEAR DECK SPACE as shown in the diagram below. To be compliant, install the lift at 16 inches [406mm] from the pool edge to the centerline of the seat, and make sure the deck has the required CLEAR DECK SPACE as shown.

NOTE: As per ADA requirements the slope of the deck from the pool edge to the centerline of the seat and within the clear deck space must be no greater than 1:48.



THE REBEL™ PORTABLE POOL LIFT

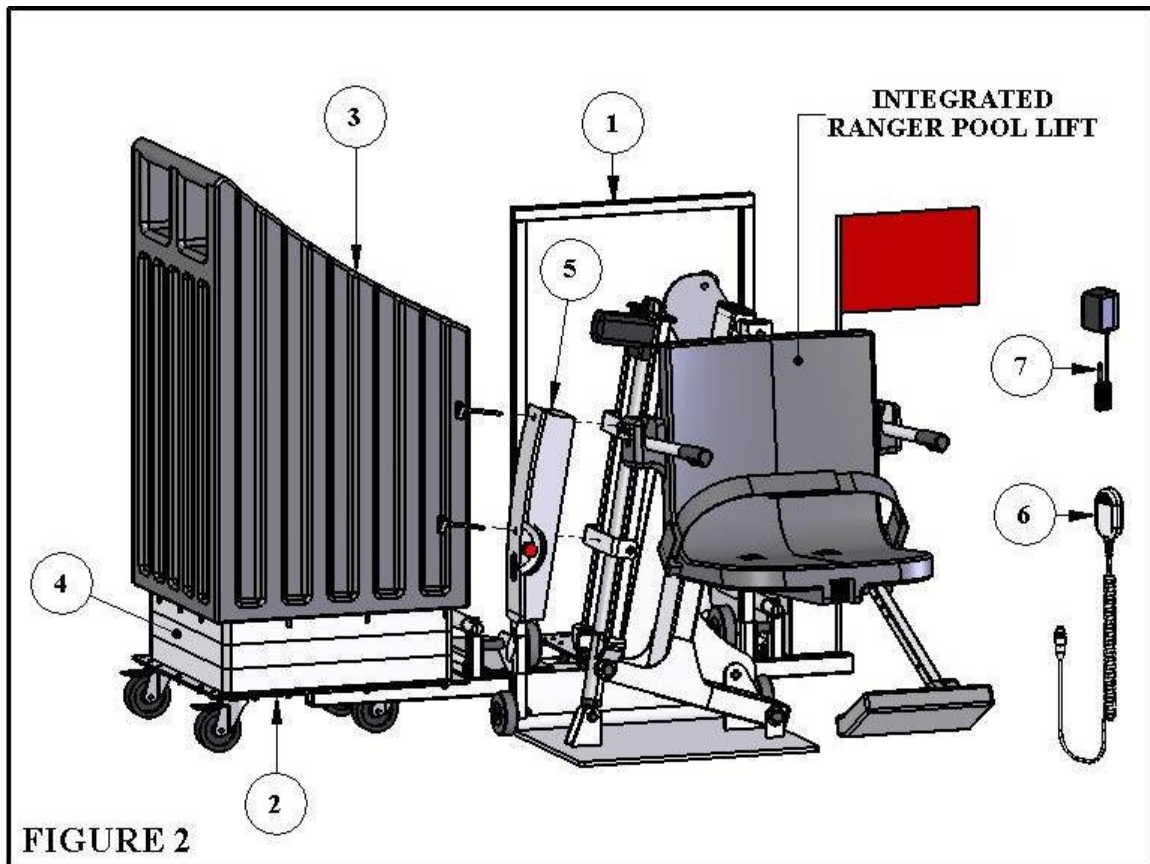


WARNING

1. NEVER OPERATE THIS LIFT IF THE POOL DECK TO WATER LEVEL EXCEEDS 9"
2. BEFORE OPERATING THE LIFT THE 10 SUPPLIED WEIGHT PLATES MUST BE INSTALLED INSIDE THE COVER AS PER THESE INSTRUCTIONS.
3. CHARGE THE BATTERY FOR 24 HOURS BEFORE INITIAL USE.

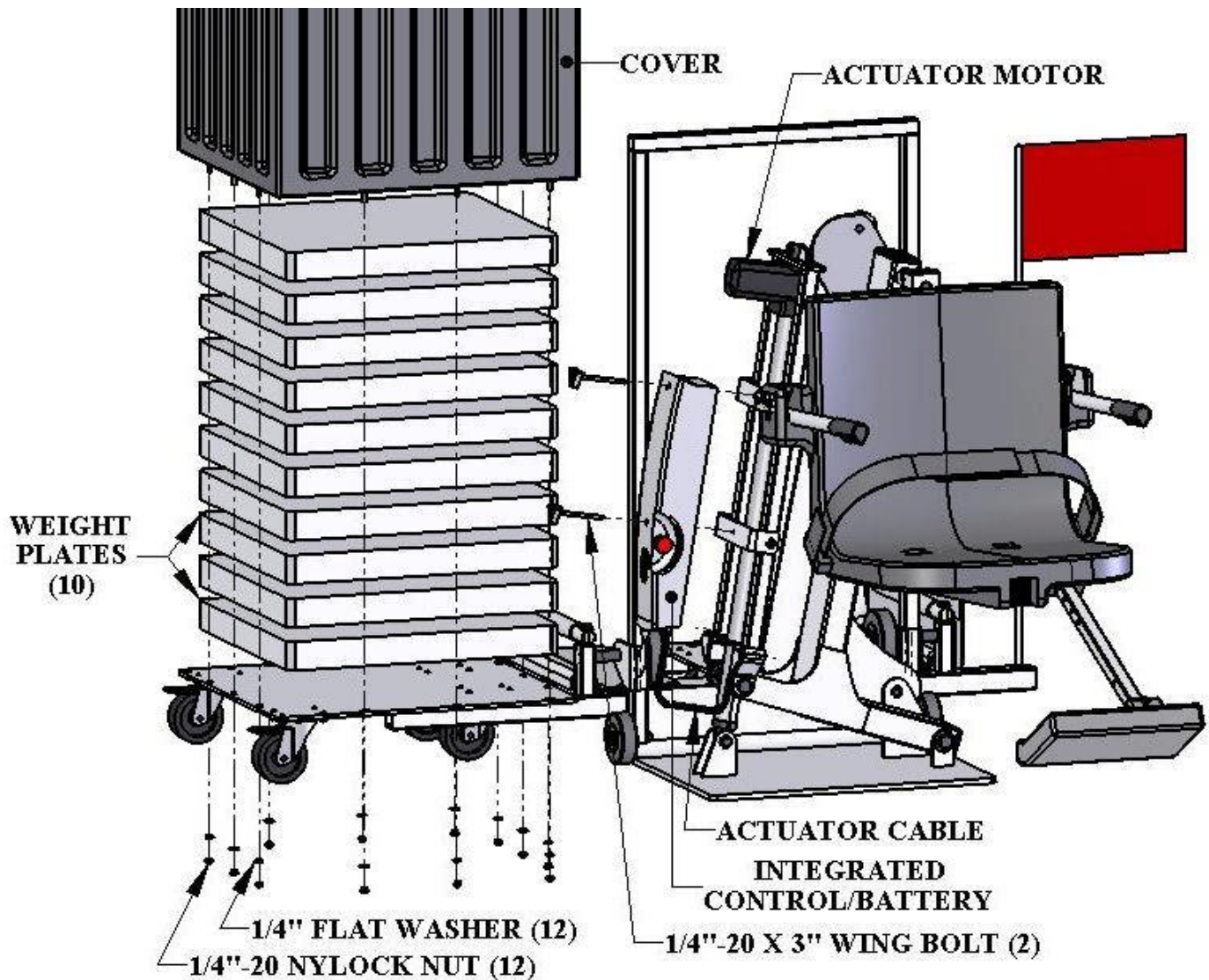
PARTS LIST: (SEE FIGURE 2)

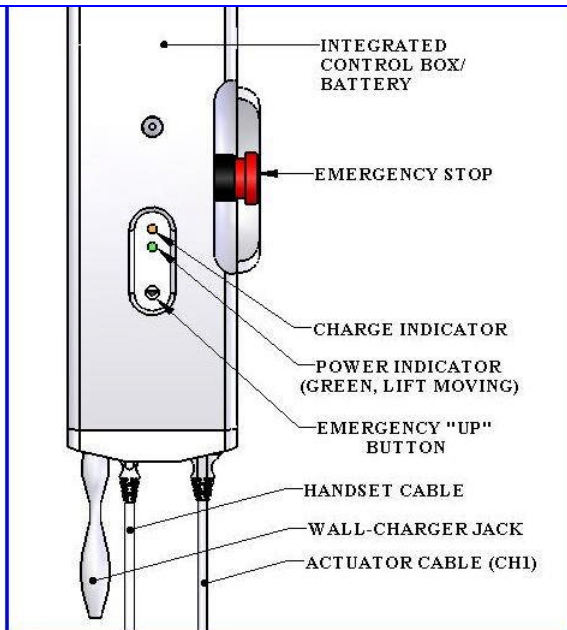
1. REBEL SLIDE-BASE W/INTEGRATED RANGER LIFT
2. REBEL CART ASSEMBLY
3. TOP WEIGHT STACK COVER W/ HANDLE
4. WEIGHTS
5. INTEGRATED CONTROL BOX, 24V BATTERY
6. 2-BUTTON HANDSET REMOTE
7. BATTERY CHARGER



REBEL™ PORTABLE POOL LIFT- ASSEMBLY INSTRUCTIONS

1. Begin by placing the parts from the previous page at or near to the desired poolside location.
2. **Stack 10 supplied weight plates on the portable platform.** To ensure proper alignment stack 3 to 4 plates, check alignment by temporarily putting the cover on, remove the cover and then stack 3 to 4 more plates. Repeat until all 10 weight plates are on the platform and properly aligned.
3. Attach the weight stack cover assembly over the weight stack using the supplied ¼" NYLOCK NUTS and ¼" FLAT WASHERS. **NOTE:** Be sure to use silicone to seal the flange before bolting together.
4. Plug the ACTUATOR CABLE into the INTEGRATED CONTROL/BATTERY (see next page) and attach it to the lift with the supplied WING BOLTS as shown below. Make sure the actuator cable's plug is fully inserted and seated, or else the lift will not function (see next page).





USING THE "EMERGENCY STOP BUTTON"

On the side of the integrated control box is a large red button. If you depress the "EMERGENCY STOP" button, this will bypass the handset and stop the lift. The button will lock in place until released. To release the EMERGENCY STOP button and resume operation, turn the button counter-clockwise until it pops out.

THE LIFT WILL NOT FUNCTION AGAIN UNTIL THE EMERGENCY STOP BUTTON IS RELEASED!!

CHARGING THE BATTERY:

Before using the Rebel™ Lift for the first time the INTEGRATED CONTROL BOX/BATTERY must be fully charged. This will take about 24 hours on the charger. It is also recommended that the battery be fully charged before each use.

To recharge the battery, unplug all cables and remove the INTEGRATED CONTROL BOX from the lift. Plug the INTEGRATED CONTROL BOX into the charger as shown. When the charger is plugged in the orange **CHARGE** light will flash. When the battery is fully charged, the **CHARGE** light will **stay on** and the device is ready to use.

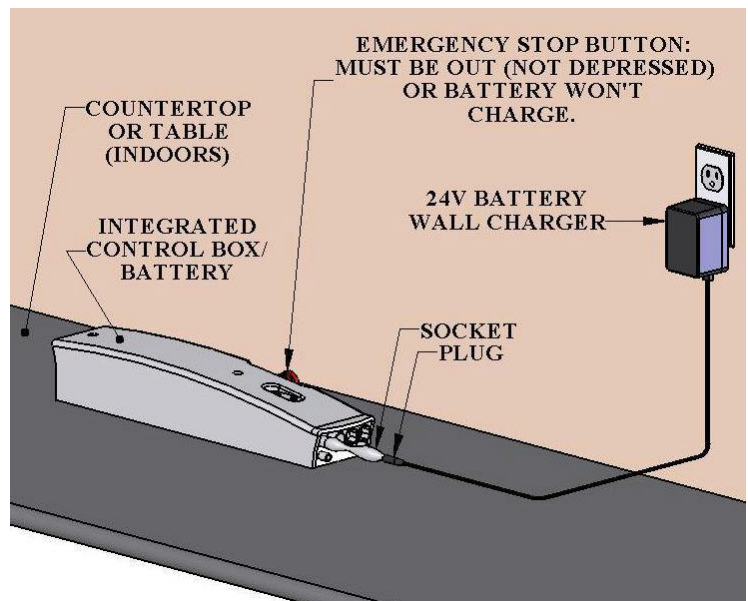
WARNING! MAKE SURE THE EMERGENCY STOP BUTTON IS NOT DEPRESSED OR THE UNIT WILL NOT CHARGE!



PLUGS NOT SEATED



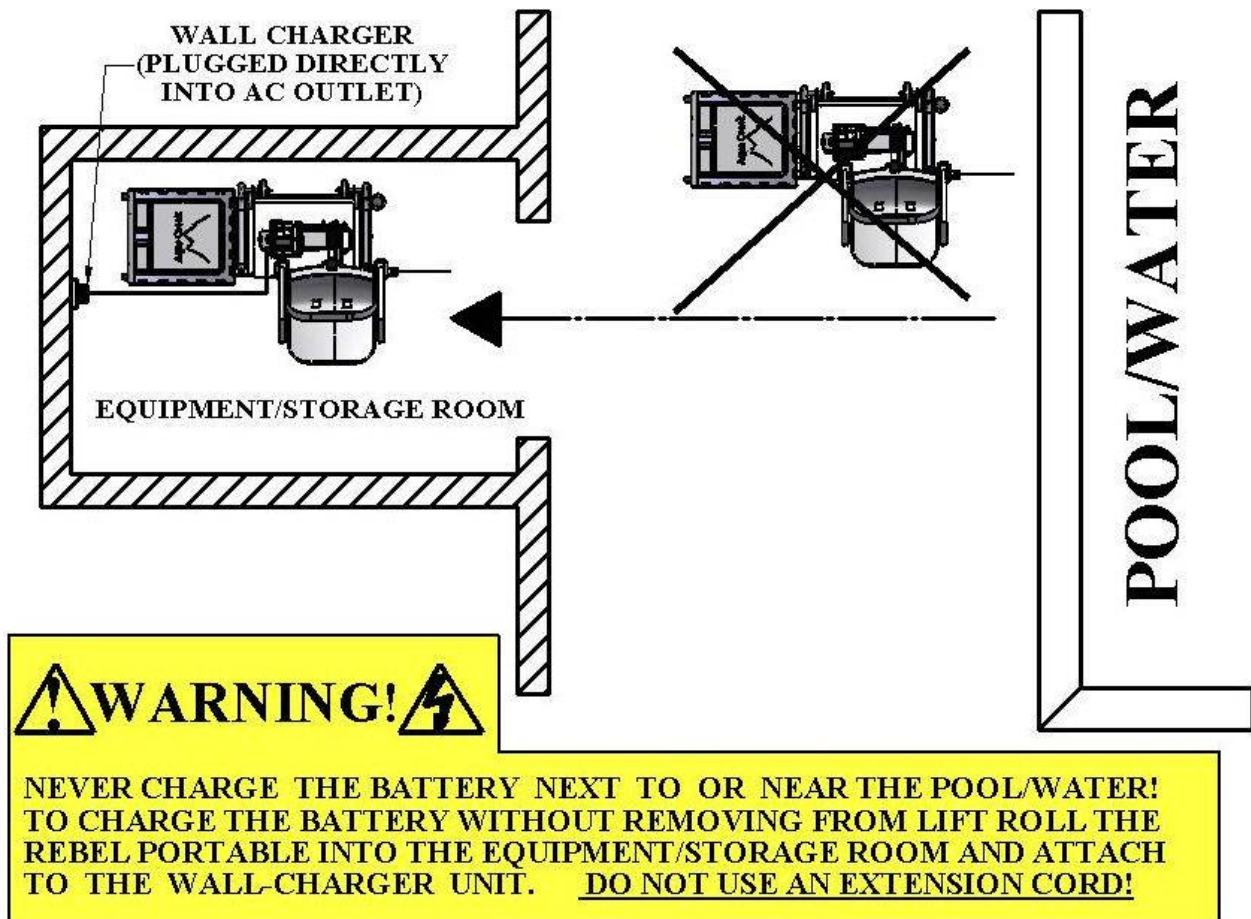
PLUGS FULLY SEATED



ALTERNATIVE: CHARGING THE BATTERY ON THE LIFT

The Rebel is portable, so that it can be stored in an equipment or storage room when not being used. If the Rebel Portable Lift is used in this manner it is allowable to charge the battery without removing the INTEGRATED CONTROL BOX from the lift. The Wall Charger is plugged directly into an AC outlet, and the cord is plugged into the INTEGRATED CONTROL BOX as shown below.

- **NEVER CHARGE THE BATTERY ON THE LIFT NEAR WATER!**
- **NEVER USE AN EXTENSION CORD WITH THE WALL CHARGER!**
- **NEVER CHARGE THE BATTERY OUTDOORS OR NEAR THE POOL!**



TRANSPORTING & USING THE REBEL LIFT:

The Rebel Pool Lift has been designed to make transporting and using the lift as simple as possible. The design makes the lift 100% ADA compliant by providing two separate operating modes; one for transporting the lift and one for using it.

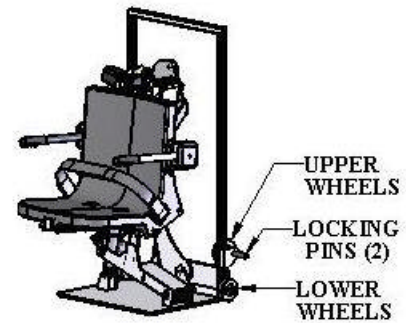
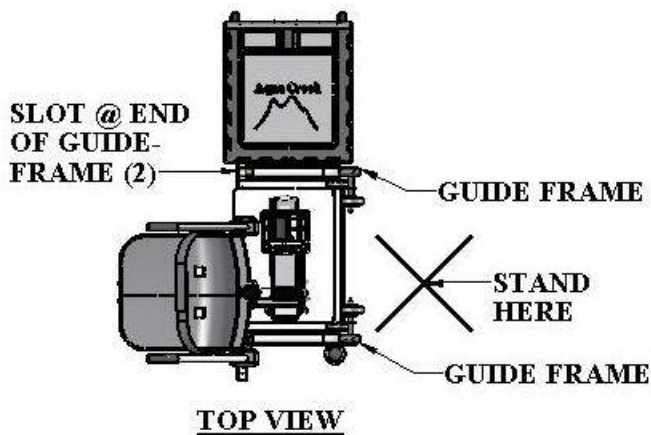
DO NOT ATTEMPT TO USE THE LIFT WHILE IN THE TRANSPORT MODE!

MODES OF OPERATION:

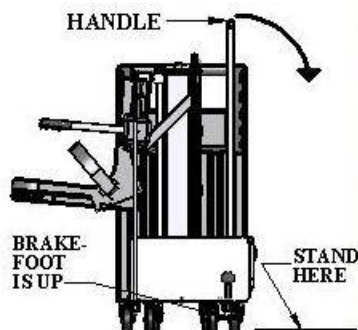
- 1) **TRANSPORT MODE:** In this mode the lift is on top of the portable cart and the brake-foot is raised, allowing the lift to roll and turn freely. The safety flag and fiberglass pole also inhibit use of the lift while in this position.
- 2) **OPERATION MODE:** In this mode the lift is on the deck surface and the brake-foot is lowered, keeping the cart and lift stable and stationary. To place the lift in this position, follow the instructions below.

TRANSPORT INSTRUCTIONS:

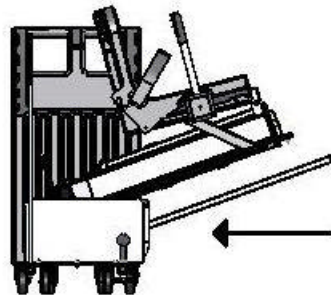
- 1) Roll Rebel Portable Lift to desired position on the deck. Stand behind the lift and tilt it back and down as shown below. Tilt the lift to almost horizontal so that the pins follow the guide frames on either side (base rolls on upper wheels).
- 2) Slide the lift forward until it comes to the end of the guide frame and the pins slide into the slots. Make sure that both pins are in the slots.
- 3) Pivot the lift forward and down until it rests flat on the deck. Turn the handle of the brake-foot clockwise until the brake-foot is firmly in contact with the deck. The lift is now ready to use.



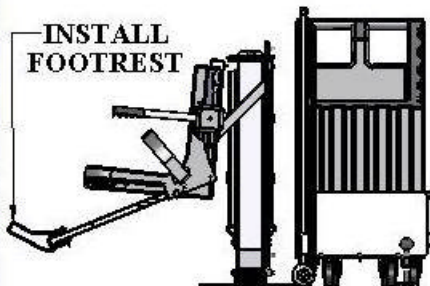
1. TILT LIFT BACK & DOWN



2. ROLL LIFT FORWARD INTO SLOTS (END OF GUIDE FRAME).



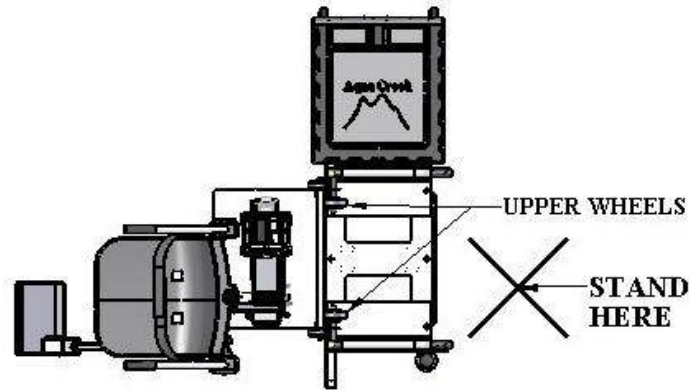
3. ROTATE LIFT FORWARD ONTO DECK. LOWER BRAKE FOOT.



RETURNING THE LIFT TO TRANSPORT MODE:

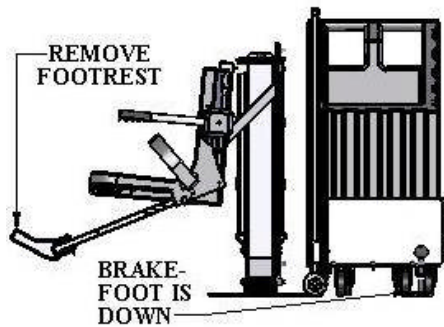
To move the lift after use, reverse the steps above as follows:

- 1) Tilt the lift back on the upper-wheels until the lower wheels are at the cart level.
- 2) Roll the lift onto the cart, all the way until the pins hit the back of the guides.
- 3) Pivot the lift forward until it is resting on the cart. Rotate the brake-foot handle counter-clockwise and raise it off the deck. The lift is now ready to move.



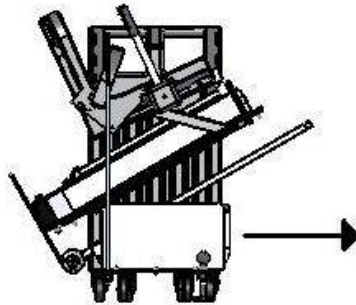
TOP VIEW

1. REMOVE FOOTREST. TILT LIFT BACK; ROTATE ON UPPER WHEELS



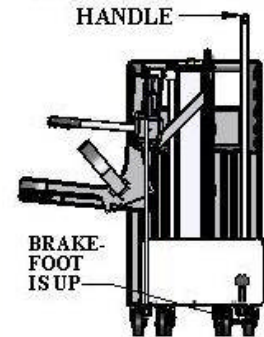
LIFT ON DECK BEFORE TILT

2. ROLL LIFT ONTO CART AND TO THE BACK OF GUIDE-FRAME.



TILTED: ROLL ONTO CART

3. TILT LIFT FORWARD AND INTO TRANSPORT POSITION.



TRANSPORT POSITION



REBEL POOL LIFT OPERATING INSTRUCTIONS:

NOTE: CHECK ALL NUTS & BOLTS FOR TIGHTNESS AND FOR WORN PARTS BEFORE EACH USE. NEVER OPERATE THE LIFT WITH THE ARMRESTS FLIPPED UP.

The Rebel Pool Lift should always be in the full up or deck position before a user attempts to transfer into the chair. Before attempting to transfer into the chair, check to make sure the lift is operating by making a short test run: move the chair at least part way in and out of the pool.

As you are standing in front of the chair, facing the chair, the armrest on either side will flip up to allow for easier lateral transfers. Transfer into the chair and then lower the flip-up armrest back into its normal position. Secure the adjustable lap belt around the waist so that the belt is snug, but not uncomfortably tight.

You are now seated comfortably in the Rebel Pool Lift, and ready to move into the pool or spa. Before you begin the operating cycle, take a visual check of the deck area and pool area to make sure the operating path of the lift is clear.

It is not necessary to lower the lift all the way to the bottom of the lift's stroke. You may stop the lift at any time in the downward cycle when it is comfortable for you to exit the chair into the water.

This is NOT true however, when returning to the deck during the up cycle. The lift should always be cycled completely to the up or deck position before attempting to exit the chair on the deck.

To lower the lift into the pool, simply apply pressure on the down arrow button on the remote control handset and the chair will start to move towards the pool. NOTE: for safety reasons, it is necessary to maintain continuous pressure on the control button. If you take your finger off of the control button the lift will stop.

When you are sufficiently submerged into the water to allow for an easy exit from the chair, you may stop the lift cycle by releasing pressure on the down arrow button on the remote control handset. Now release the lap belt by grasping the end of the belt that is protruding above the lap belt and tugging gently. You may now flip up the footrest to create more room in front of the chair for you to exit. Exit the chair by sliding straight forward until you are clear of the seat and the footrest.

When you are ready to return to the lift seat and exit the pool or spa, make sure that the chair is lowered (submerged) sufficiently to allow you to easily slide into the chair. You should not attempt to "lift" or raise yourself into the chair. Once you are reseated into the chair, you may lower the footrest to its normal operating position and place your feet on the footrest. Next, re-secure the adjustable lap belt snugly around your waist. To raise the chair out of the pool, simply press on the up arrow button on the remote control handset and apply continuous pressure until the lift chair comes to a rest on the deck in the full up position. You may now release the lap belt and exit the chair.

CARE OF YOUR LIFT

SAFETY & MAINTENANCE INSTRUCTIONS

Do not play on or around this lift

1. Check the PRO POOL LIFT™ before each use to assure there are no worn parts and that all hardware is properly tightened. If there are any worn parts, replace them BEFORE using the Pro Pool Lift™. You can call our customer service at 1-888-687-3552 to order any parts.
2. Aqua Creek Products, LLC lifts shall be grounded per local codes.
3. At least ONCE A WEEK, the Pro Pool Lift™ must be cleaned with fresh water. Do not spray the Pro Pool Lift™ 24v battery unit directly with any pressure. Wipe all surfaces clean with a damp, non-abrasive cloth. When cleaning the Pro Pool Lift™, use non-abrasive soap and water. Avoid harsh chemicals and disinfectants.
4. Always read the label instructions on any cleaner carefully before applying it to a surface.
5. The WARNING & INTENDED USE labels on the Pro Pool Lift™ need to be maintained in readable fashion. If they become unreadable or faded, please replace the label immediately. Replacement labels are available from AQUA CREEK PRODUCTS LLC. 1-888-687-3552.

Pool Lifts should not be stored in a pump room or in a storage room where pool chemicals are kept. Storing the lift near pool chemicals may cause rusting and other damage to occur. Your Aqua Creek stainless steel lift is powder coated to protect the stainless steel from rusting. Most rusting will occur at weld points, crevices, under gaskets, rivets or bolt heads.

The choice of a proper cleaning product is up to the consumer and there are many to choose from. Depending on the type of cleaning and the degree of contamination (rusting), some products are better than others. For routine cleaning the products most recommended are gentle soaps or detergents or dilute mixtures of ammonia. For stubborn spots and stains try using soft scrub with some brisk rubbing.

DO NOT USE POOL WATER TO CLEAN USE ONLY FRESH WATER

If the lift is used **DAILY** make sure to wash the lift at the end of the day. Wash the lift off using a mild soap and a soft cloth. Make sure to pay special attention to weld points and crevices. Do not use a bristled brush or steel wool to clean the lift. Check that the lift is working properly and then place the battery on the charger. It is recommended that the battery be charged after every day of use.

If the lift is used **WEEKLY** follow the same steps as above. Also be sure to check all of the contact points (terminals) for damage or corrosion. If you notice corrosion gently clean the terminals. To clean corrosion from the terminals use a q-tip and some rubbing alcohol. If the corrosion is particularly stubborn try using a 3M scotch brite pad, but be careful not to damage the terminals. Apply dielectric grease to the terminals after cleaning them. This will help to prevent further corrosion. Do not leave the battery on the lift. Always store the battery on the charger whenever the lift is not being used.

If the lift is used **MONTHLY** follow the same steps as above. Also check the nuts and bolts to make sure they are securely fastened (this is always a good idea, no matter how often or infrequently the lift is used). Also make sure to store the battery on the charger and not on the lift. Leaving the battery on the lift for extended periods will significantly shorten the battery's lifespan.

If the lift is being **STORED** for an extended period of time follow all of the steps above. Check for rusting at all crevice and weld points. If you notice rusting spray some WD-40 on the affected area and take a 3M scotch brite pad and rub briskly. Afterwards be sure to wash and rinse the lift again with soap and water. When storing the lift make sure it is in a dry area and covered. **DO NOT STORE** in or around pool chemicals.

TROUBLESHOOTING GUIDE (REBEL POOL LIFT)

First make sure the INTEGRATED CONTROL BOX/BATTERY is fully charged.

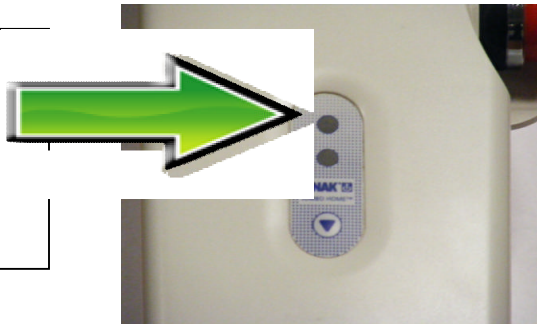
If the lift doesn't move when the handset button is pressed:

When you can't get the lift to move check the following things:

1. Make sure the battery is fully charged:

Unplug the HANDSET CABLE and the ACTUATOR CABLE from the INTEGRATED CONTROL BOX. Plug the INTEGRATED CONTROL BOX into the charger and look for the **ORANGE** charge light to illuminate on the front of the unit. When the orange light goes from flashing to static-on the battery is fully charged. Make sure the **"EMERGENCY STOP"** button is **NOT** depressed, or else THE BATTERY WILL NOT CHARGE!

When charging the battery the top **orange light** will flash, which means the battery is being charged. When fully charged the orange light will stay on.



THE EMERGENCY STOP BUTTON SHOULD LOOK LIKE THIS



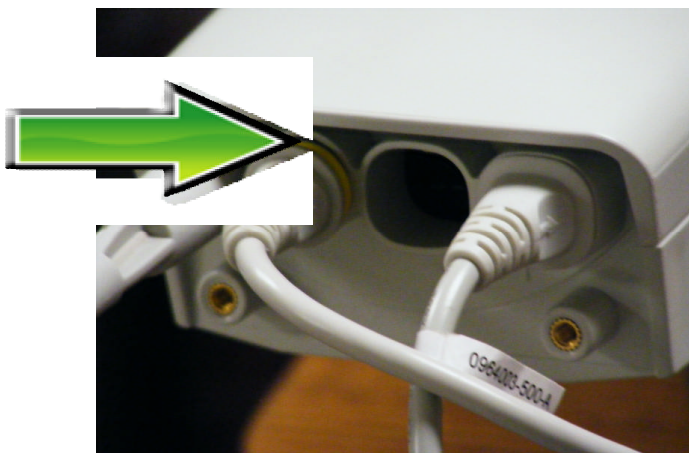
NOT LIKE THIS!!!

If the battery is fully charged and the lift is not moving then:

2. Check all cords:
 - A. Check that the cords are properly plugged in. Start by unplugging the HANDSET and the ACTUATOR from the CONTROL BOX. Once these cords are removed check the ends for corrosion or damage. Plug the HANDSET back in by lining up the slot on the plug to the groove on the front of the jack. Note that these cords require some force to plug them in fully. You will know they are correctly inserted when the cords are fully seated as shown below. When fully seated the **YELLOW** O-ring will not show. Make sure you do this for both cords. Also make sure the cords themselves are undamaged.



LINE-UP THE SLOTS AS SHOWN AND PRESS IN UNTIL FULLY SEATED



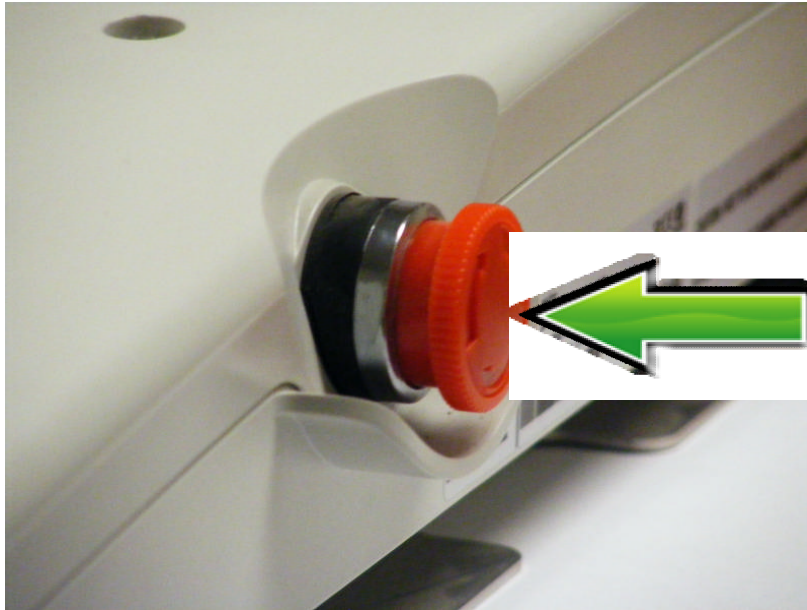
NOT FULLY SEATED



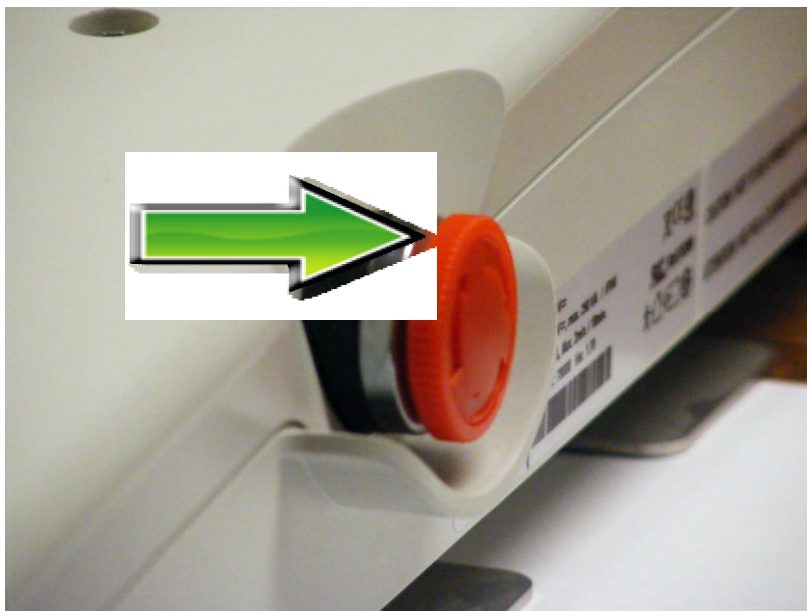
FULLY SEATED

If you have checked all the cords and the lift still doesn't move:

3. Make sure the "EMERGENCY STOP" button isn't depressed:
 - A. After you have fully charged the battery and checked the cords to make sure they are properly plugged in, look at the side of the ALL-IN-ONE unit and make sure the **red EMERGENCY STOP** button is "out", or not engaged. The photos below show the two positions.



THE LIFT **WILL** FUNCTION WITH THE "EMERGENCY STOP" BUTTON AS SHOWN. PRESS FIRMLY TO STOP THE LIFT AT ANY TIME DURING OPERATION.



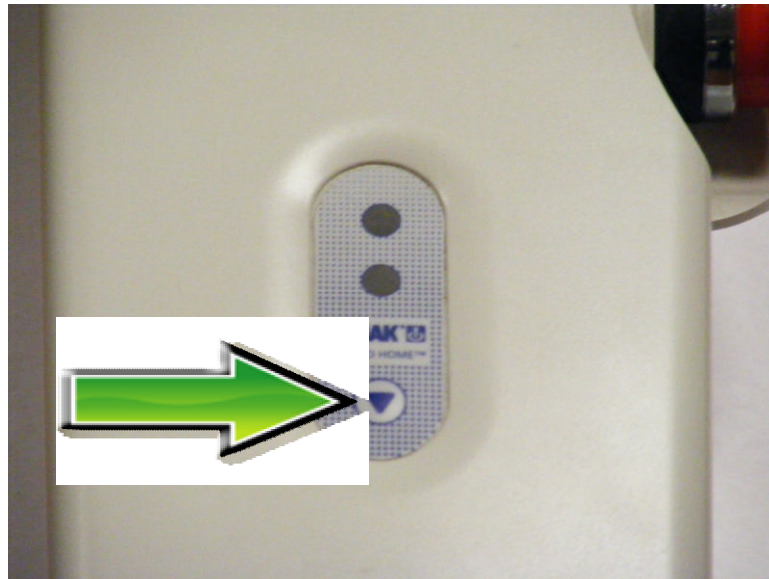
THE LIFT **WILL NOT** FUNCTION WITH THE "EMERGENCY STOP" AS SHOWN. TURN THE BUTTON CLOCKWISE TO UNLOCK AND RESUME FUNCTION.

If the lift stops moving over the water and is stuck:

4. Try pushing the “EMERGENCY UP” button:

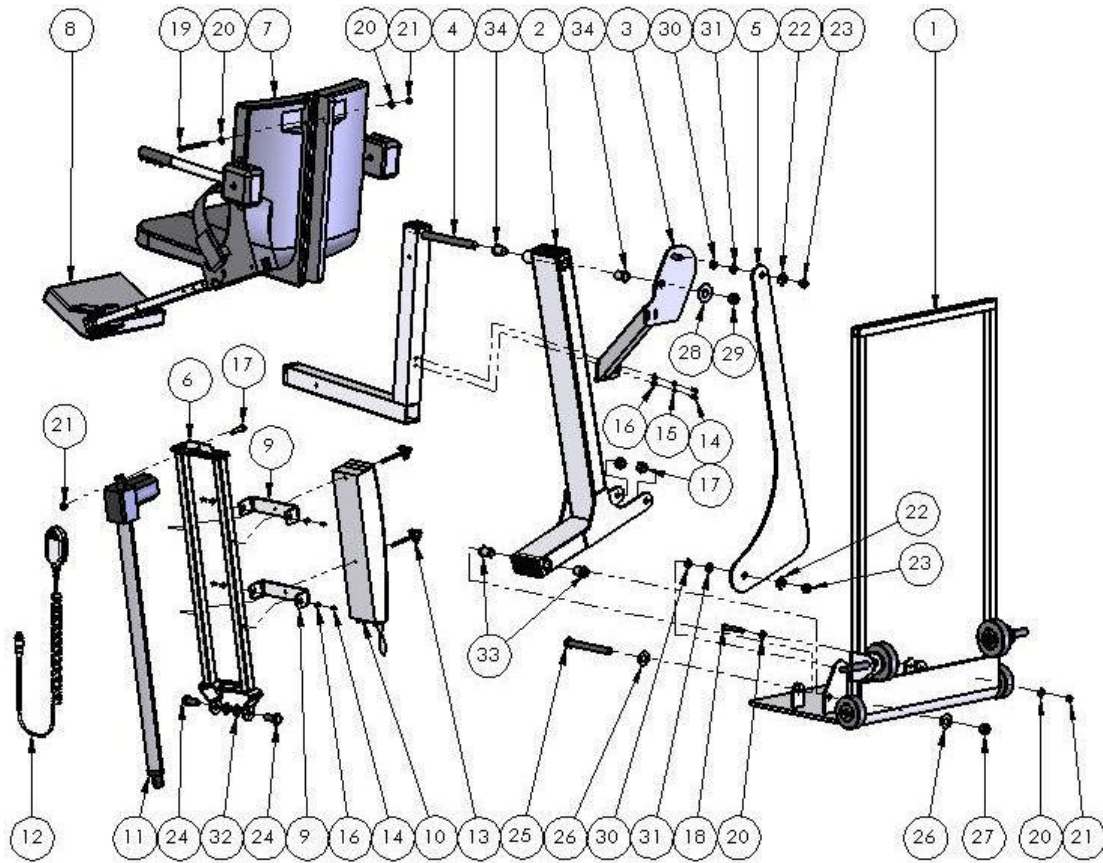
A. If the lift gets stuck out over the water press the “EMERGENCY UP” button and hold it down. Under normal conditions this will bypass the HANDSET and return the lift to the deck. Note that the lift will not return if the battery is not sufficiently charged or if the control unit is not working. The “EMERGENCY UP” button is normally used only when the HANDSET does not function.

NOTE: if the battery is fully charged and the plugs are fully seated (as described above) and the “EMERGENCY UP” button works but the HANDSET does not, chances are that the HANDSET is malfunctioning and may need to be replaced. Check the HANDSET and its cord and plug for damage or corrosion. Always keep the HANDSET, the cords and plugs, and the CONTROL unit clean and dry when not in use.



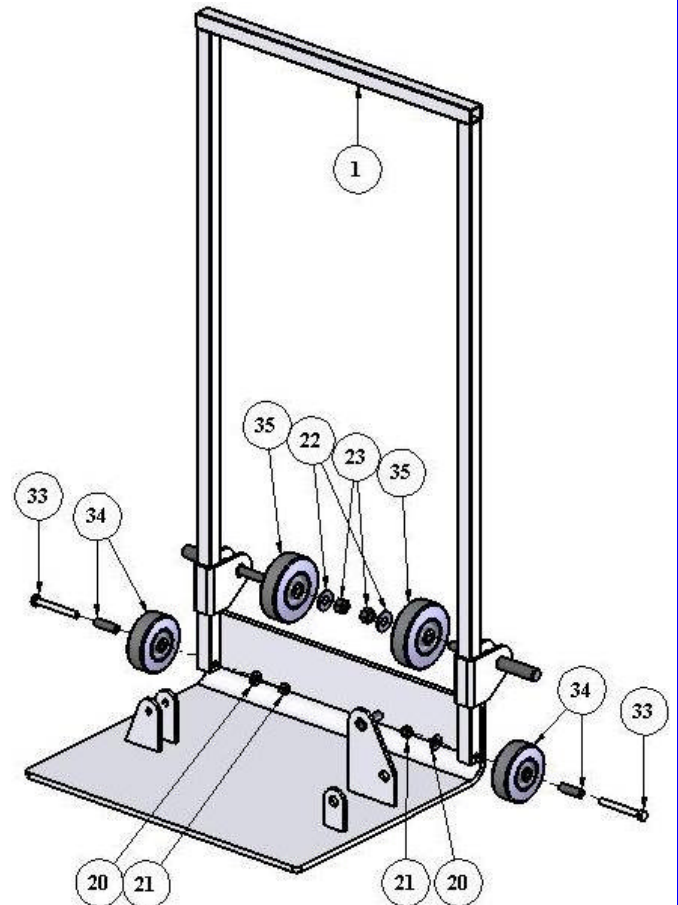
PRESS AND HOLD THE “EMERGENCY UP” BUTTON TO RETURN TO THE DECK WHEN THE HANDSET DOESN’T FUNCTION.

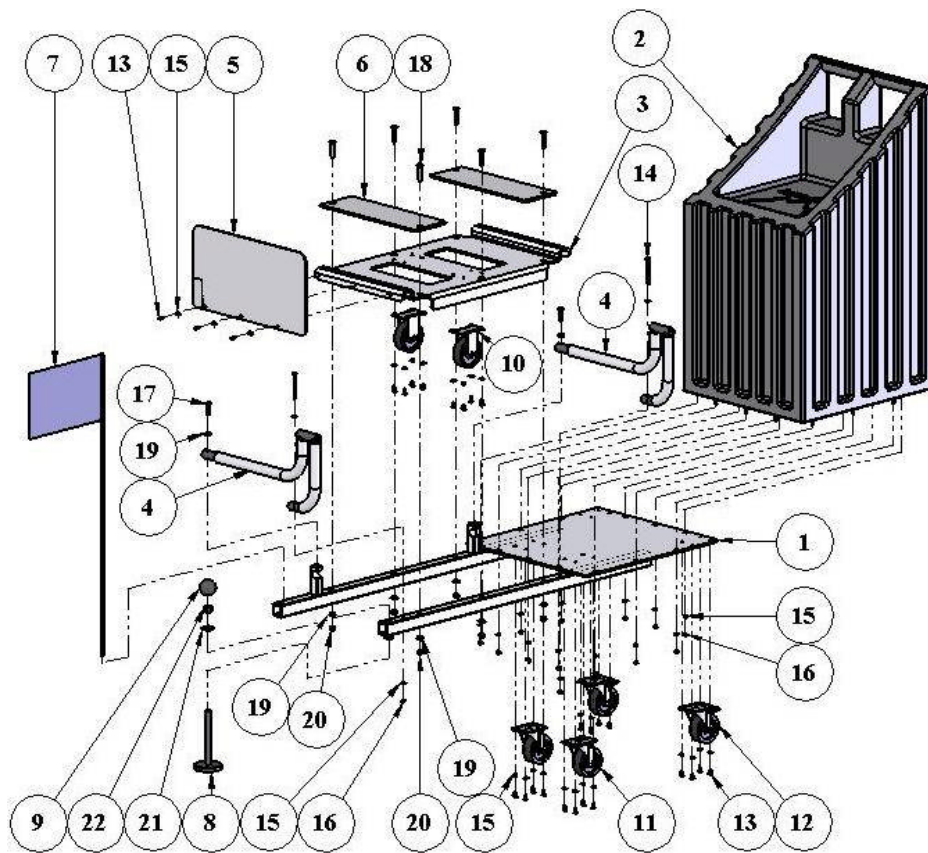
WARNING! NEVER STORE THE 24V CONTROL BOX OR THE HANDSET ON THE FLOOR OR IN A WET OR DAMP ENVIRONMENT. DO NOT LEAVE THEM OUTDOORS FOR EXTENDED PERIODS OF TIME. KEEP THEM AS CLEAN AND DRY AS POSSIBLE! REMOVE THE 24V CONTROL BOX BEFORE CLEANING THE LIFT. DO NOT SPRAY WATER DIRECTLY ONTO THE 24V CONTROL BOX!



INTEGRATED RANGER LIFT: PARTS LIST

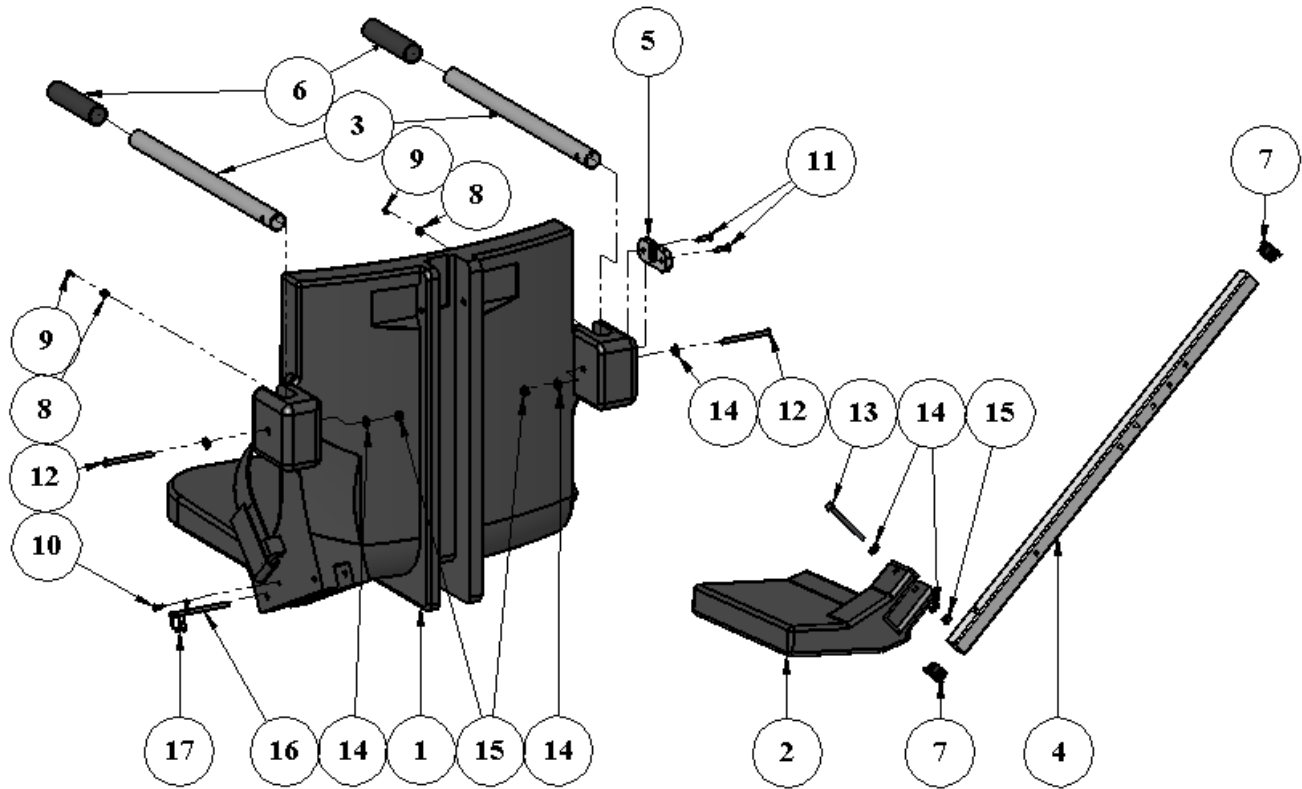
ITEM NO.	QTY.	DESCRIPTION	PART NUMBER
1	1	REBEL SLIDE-BASE W/WHEELS	A-0138PB-REB
2	1	PRO POOL/RANGER FRAME	A-0404PPF
3	1	SEAT SUPPORT ASSEMBLY	A-2012SRS
4	1	SEAT CRADLE ASSEMBLY	A-2012ARM
5	1	PRO POOL/RANGER CONTROL ARM	L-2014FBL
6	1	RANGER ACTUATOR FRAME	A-9890AAF
7	1	STANDARD SEAT ASSEMBLY	(SEE PAGE 18)
8	1	STANDARD FOOTREST ASSEMBLY	(SEE PAGE 18)
9	2	RANGER ACTUATOR U-BRACKET	RAA-UBK-00
10	1	24VDC INTEGRATED CONTROL/BATT	CBJH1800000004
11	1	LINEAR ACTUATOR, 600mm, 24VDC	600mmACT
12	1	HANDSET CONTROL, 2 BUTTON	HB00U038-00
13	2	1/4-20 X 3" WING BOLT, SS	BOLT1/4X3WTRIKNOB
14	6	1/4-20 X 1/2" HEX BOLT, SS	BOLT1/4X1/2HEXSS
15	2	1/4" LOCK WASHER, SPLIT, SS	LOCKWASHER1/4SS
16	6	1/4" FLAT WASHER, SS	FLATWASHER1/4SS
17	1	3/8-16 X 1-1/2" HEX BOLT, SS	BOLT3/8X11/2HEXSS
18	1	3/8-16 X 2-1/2" HEX BOLT, SS	BOLT3/8X21/2HEXSS
19	1	3/8-16 X 4" HEX BOLT, SS	BOLT3/8X4HEXSS
20	3	3/8" FLAT WASHER, SS	FLATWASHER3/8SS
21	3	3/8-16 NYLOCK NUT, SS	NYLOCK3/8-16SS
22	2	1/2" FLAT WASHER, SS	FLATWASHER1/2SS
23	2	1/2-13 NYLOCK NUT, SS	NYLOCK1/2-13SS
24	2	5/8-11 X 1-1/2" HEX BOLT, SS	BOLT5/8X11/2HEXSS
25	1	5/8-11 X 6" HEX BOLT, SS	BOLT5/8X6HEXSS
26	2	5/8" FLAT WASHER, SS	FLATWASHER5/8SS
27	3	5/8-11 NYLOCK NUT, SS	NYLOCK5/8-11SS
28	1	3/4" FLAT WASHER, SS	FLATWASHER3/4SS
29	1	3/4-10 NYLOCK NUT, SS	NYLOCK3/4-10SS
30	2	1/2" X 1/8" THRUST WASHER, BRNZ	THRUSTWASHER1/21/8BZ
31	2	5/8 X 1/2 X 1/4 FLANGE BRNG, BRNZ	FB5/8X1/2X1/4BRNZ
32	2	5/8" X 1/8" THRUST WASHER, BRNZ	THRUSTWASHER5/81/8BZ
33	2	7/8 X 5/8 X 3/4 FLANGE BRNG, BRNZ	FB7/8X5/8X3/4BRNZ
34	2	7/8 X 3/4 X 3/4 FLANGE BRNG, BRNZ	FB7/8X3/4X3/4BRNZ
35	2	3/8-16 X 3" HEX BOLT, SS	BOLT3/8X3HEXSS
36	2	3/2" X 1-1/4" WHEEL W/SS BUSHING	2.00003.471-SSB
37	2	4" X 1-1/4" WHEEL	2.00004.471-SSB





REBEL CART PARTS LIST

ITEM NO.	QTY	DESCRIPTION	PART NUMBER
1	1	REBEL CART WELDMENT	A-0138PC-REB
2	1	PORTABLE COVER, REBEL	P-985
3	1	REBEL CART TRAY, SS	P-0138FCP-REVA1
4	2	REBEL GUIDE-FRAME ASSY	A-0138GFA-REVA
5	1	REBEL SIDE-GUARD, HDPE	P-0138PCPG-REVA
6	2	REBEL PLASTIC SLIDE, HDPE	P-0138PCPS-REVA
7	1	REBEL SAFETY FLAG, FBRGLS	REBELSAFETYFLAG
8	1	BRAKE FOOT, 5/8" ROD, SS	1942K77
9	1	BRAKE HANDLE, RND, PLASTIC	65137374
10	2	3-1/2" FIXED CASTER	2.03408.471
11	2	3-1/2" SWIVEL CASTER	2.03456.471
12	2	3-1/2" SWIVEL CASTER W/BRK	2.03456.471BRK2
13	27	1/4-20 X 1/2" HEXBOLT, SS	BOLT1/41/2HEXSS
14	2	1/4-20 X 3" HEXBOLT, SS	BOLT1/43HEXSS
15	43	1/4" FLAT WASHER, SS	FLATWASHER1/4SS
16	14	1/4-20 NYLOCK NUT, SS	NYLOCK1/420SS
17	2	3/8-16 X 1-1/4" HEXBOLT, SS	BOLT3/811/4HEXSS
18	6	3/8-16 X 2" FLAT-HD CAP-SCRW, SS	BOLT3/82FHCSSS
19	6	3/8" FLAT WASHER, SS	FLATWASHER3/8SS
20	6	3/8-16 NYLOCK NUT, SS	NYLOCK3/816SS
21	1	5/8" FLAT WASHER, SS	FLATWASHER5/8SS
22	1	5/8-11 NYLOCK NUT, SS	NYLOCK5/811SS



SEAT & FOOTREST ASSEMBLY: PARTS LIST

ITEM NO.	QTY.	DESCRIPTION	PART NUMBER
1	1	CHAIR, HDPE, 18", GRAY	P-900
2	1	FOOTREST, HDPE, GRAY	P-910
3	2	ARMREST TUBE, SS	SA-0904SAT
4	1	FOOTREST TUBE, SS	P-2035LEG
5	1	HANDSET BRACKET	P-1208HSB
6	2	HANDGRIPS, RUBBER	RUBBERFINGERGRIPS
7	2	1" SQR. TUBE PLASTIC CAP	SQR-1-14-20
8	2	RUBBER BUMPER, #6 SCR	RUBBERBUMPER3/8
9	2	#6 X 1/2" SHEET-METAL SCR	BOLT1/2X#6SSSHEETMETAL
10	1	#10 X 3/4" SHEET-MTL SCR	BOLT3/4X#10SSSHEETMETAL
11	2	#12 X 1" FLAT-HD SMS, SS	BOLT1X#12FHSMSSS
12	2	1/4" X 3" BUTTON-HD CS, SS	BOLT1/4X3BHCSSS
13	1	1/4" X 3" HEXBOLT, SS	BOLT1/4X3HEXSS
14	4	1/4" FLATWASHER, SS	FLATWASHER1/4SS
15	2	1/4-20 NYLOCK NUT, SS	NYLOCK1/420SS
16	1	1/4" X 3" QUICK-RELEASE PIN	PIN1/4X3SS
17	1	LANYARD FOR QR-PIN	LANYARD

Aqua Creek Products, LLC Limited Warranty: **REBEL™ Pool Lift - 24v Battery Powered**

Aqua Creek Products Rebel Pool lifts have a **Limited 2-Year Warranty** on the frames, not including the powder coat finish.

Aqua Creek Products, LLC (a.k.a. Aqua Creek) also warrants to the original end user that all non-frame components manufactured by Aqua Creek, when properly installed in accordance with assembly and installation instructions, and properly used and maintained, shall be free from defects in material and workmanship for a period of two (2) years from the date of original purchase, provided that Aqua Creek receives prompt notice in writing of any defect or failure and satisfactory proof thereof.

This warranty specifically excludes reimbursement for labor to remove, repair, or install the product and any return freight charges.

These warranties do not cover any damages due to accident, misuse, abuse, negligence or failure to properly maintain any products, or normal wear and tear from day to day operations. In the event that any products are altered, repaired, or improperly installed or improperly used by anyone without the prior written approval by Aqua Creek, all warranties are void. **IMPORTANT: AMOUNT OF WEIGHT PLACED ON LIFT SHALL NOT EXCEED THE RATED LIFTING CAPACITY OF 300 POUNDS [136 kg] FOR THE REBEL POOL LIFT.**

To initiate a warranty claim, the owner of an Aqua Creek product must provide the place of purchase, in writing, with a full description of the product, its serial number, the dates of purchase and installation, and the exact nature of the defect. Within thirty (30) days after receipt of a written warranty claim by Aqua Creek, and barring any unforeseen delays, the place of purchase will be notified of Aqua Creek's decision regarding the claim.

If requested by Aqua Creek, any defective product must be returned, freight prepaid, to Aqua Creek's designated factory location or duly appointed distributor for inspection and/or repair. Aqua Creek will, at its option, repair or replace the failed or defective item, and deliver the repaired product or replacement to the buyer of the product, freight prepaid to the destination provided for in the original order. Products returned to Aqua Creek for which Aqua Creek provides replacement under this limited warranty shall become the property of Aqua Creek.

A new warranty period shall **NOT** be established for the repaired or replaced products. Such products shall remain under warranty only for the remainder of the original warranty period on the original products purchased.

This written limited warranty constitutes the final, complete and exclusive statement of warranty terms. No person or organization is authorized to make any other specific or implied warranties or representations on behalf of Aqua Creek.

THE WARRANTIES SET FORTH HEREIN ARE IN LIEU OF ALL OTHER WARRANTIES, EXPRESSED OR IMPLIED, WHICH ARE HEREBY DISCLAIMED AND EXCLUDED, INCLUDING WITHOUT LIMITATION ANY WARRANTY OF MERCHANTABILITY OR FITNESS FOR A PARTICULAR PURPOSE OR USE.

THE SOLE AND EXCLUSIVE REMEDIES FOR BREACH OF ANY AND ALL WARRANTIES WITH RESPECT TO THE PRODUCTS SHALL BE LIMITED TO REPAIR OR REPLACEMENT AT AQUA CREEK'S DESIGNATED FACTORY LOCATION, OR DULY APPOINTED DISTRIBUTOR, OR IN PLACE AT AQUA CREEK'S OPTION. IN NO EVENT SHALL AQUA CREEK'S LIABILITY EXCEED THE ENTIRE AMOUNT PAID TO AQUA CREEK BY THE ORIGINAL PURCHASER FOR THE FAILED OR DEFECTIVE PRODUCT.

IN NO EVENT SHALL AQUA CREEK PRODUCTS, LLC BE LIABLE FOR ANY INCIDENTAL, CONSEQUENTIAL, SPECIAL, INDIRECT, PUNITIVE OR EXEMPLARY DAMAGES OR LOST PROFITS FROM ANY BREACH OF THIS LIMITED WARRANTY OR OTHERWISE.

THIS WARRANTY GIVES YOU SPECIFIC LEGAL RIGHTS AND YOU MAY ALSO HAVE OTHER RIGHTS, WHICH MAY VARY FROM STATE TO STATE.

SOME STATES DO NOT ALLOW THE EXCLUSION OR LIMITATION OF INCIDENTAL, SPECIAL OR CONSEQUENTIAL DAMAGES, SO SOME OF THE ABOVE LIMITATIONS OR EXCLUSIONS MAY NOT APPLY TO YOU.

Aqua Creek Products
9889 Garrymore Lane
Missoula, MT 59808