

Job: \_\_\_\_\_  
 Engineer: \_\_\_\_\_  
 Contractor: \_\_\_\_\_  
 Prepared By: \_\_\_\_\_  
 Model: \_\_\_\_\_ Date: \_\_\_\_\_

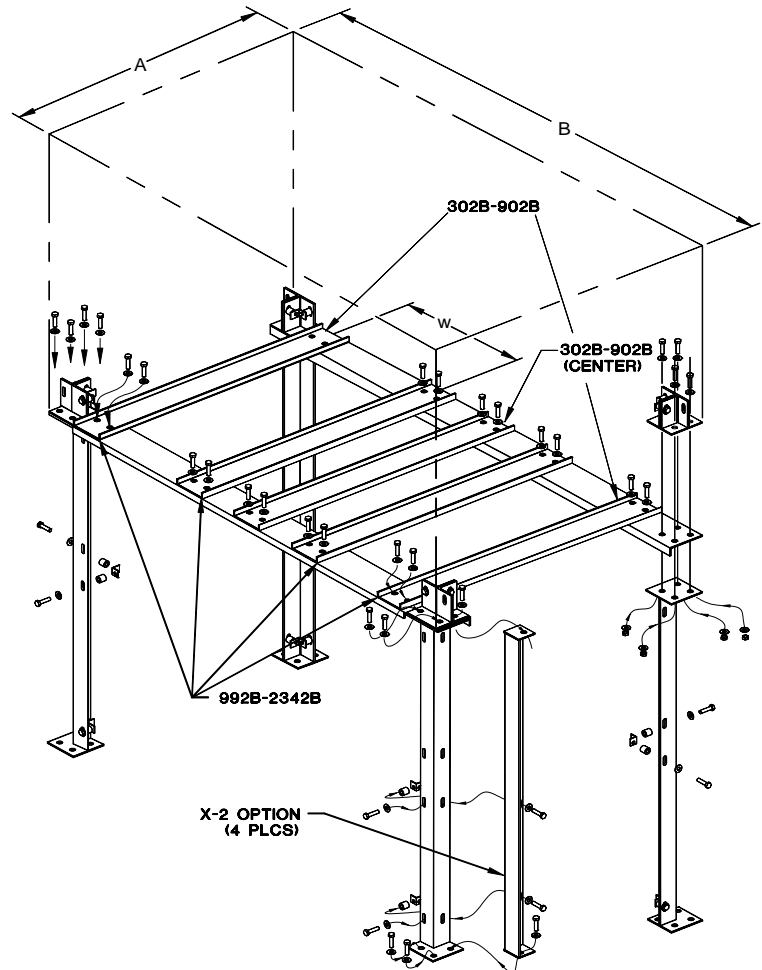
# SureRack™ Kit

Stacking System for  
 Hi Delta® Boilers

Models 302B-2342B

## Features

- ▶ Two-boiler Vertical Stack
- ▶ No Vent Offset Required
- ▶ Small Footprint
- ▶ Low Ceiling Height
- ▶ Heavy Duty Construction
- ▶ Seismic Zone 4



Hi Delta Model	SureRack Kit (X-1)					Seismic Zone 4 Add-On (X-2)	Stacked Boiler Height (in.)	
	Part No.	Weight (lbs.)	Dimensions (in.)					Cross Beams
			A	B	W			
302B	006906	201	30	41-1/4	CTR.	3	PN 007046	72-1/4
402B	006907	214		48-1/4				
502B	006908	228		55-1/4				
652B	006909	257		65-3/4				
752B	006910	265		72-3/4				
902B	006911	276		83-1/4				
992B	011563	340	37-1/2	64-1/8	16-13/16	4	PN 007053	87-1/2
1262B	011564	361		75-1/2	20-9/16			
1532B	011565	371		87	26-3/8			
1802B	011566	408		98-1/8	30-1/8			
2002B	011567	430		109-1/2	33-15/16			
2072B	011567	430		109-1/2	33-15/16			
2342B	011568	458		121	37-11/16			

# SureRack Kit

## For Hi Delta 302B-2342B

Model \_\_\_\_\_

### Anchoring Information

*For reference only. Recommended to match drill on job site.*

- Use a minimum of two bolts ½" x 5", A-307 Grade 5.2 or equivalent. Use Hilti® HY-150 adhesive to secure expansion anchor. For additional information see SureRack Kit installation instructions.
- Approved for all installations.

Hi Delta Model	Anchoring Dimensions (in.)		
	A	B	C
302B	34-1/4	24	2-1/4
402B	42-1/4	24	2-1/4
502B	49-1/4	24	2-1/4
652B	59-3/4	24	2-1/4
752B	66-3/4	24	2-1/4
902B	77-1/4	24	2-1/4
992B	56-1/8	31-9/16	3-1/4
1262B	67-7/16	31-9/16	3-1/4
1532B	78-3/4	31-9/16	3-1/4
1802B	90-1/8	31-9/16	3-1/4
2002B	101-1/2	31-9/16	3-1/4
2072B	101-1/2	31-9/16	3-1/4
2342B	112-13/16	31-9/16	3-1/4

