



Large Cartridge Filters

Clearly Efficient

Jandy's large cartridge filters set the benchmark in cartridge filtration. They are technologically advanced and filled with many user-friendly features. The large cartridge filter design takes advantage of the filter's total surface area, providing the clearest possible water and extended cleaning cycles. The new CV filter is designed to work more efficiently with other Jandy products by incorporating the Versa Plumb system. This filter is equipped for high flow rates and optimum hydraulic performance. Both CV and CL large cartridge filters are constructed of durable, corrosion-resistant, heavy duty high-tech polymeric materials for long-lasting performance. These filters are both available in 340, 460 and 580 square foot models.

Filtering Made Simple!

CV LARGE CARTRIDGE FILTER



The CV Filter is designed with the inlet and outlet ports on the same level for improved hydraulic efficiency. Using the included Jandy Sweep Elbow, the filter easily connects to a Jandy pump making installation simple. The CL Filter has standard inlet and outlet ports that are on the same side.

ERGONOMIC EASY GRIP HANDLES



The Jandy Large Cartridge Filters feature comfortable, easy grip handles designed to make filter installation and cleaning easy.

PRESSURE GAUGE/AIR RELEASE VALVE



The Jandy CV and CL Filters include a unique pressure gauge with a clean/dirty indicator that can be customized for each pool, making it easy to assess filter condition.

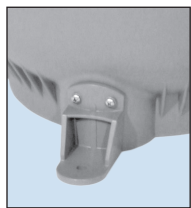
EXTRA LARGE 2 INCH DRAIN



The extra large drain port on the CV and CL filters allow for easy cleaning of debris. Universal unions on the filter will fit most Jandy products.



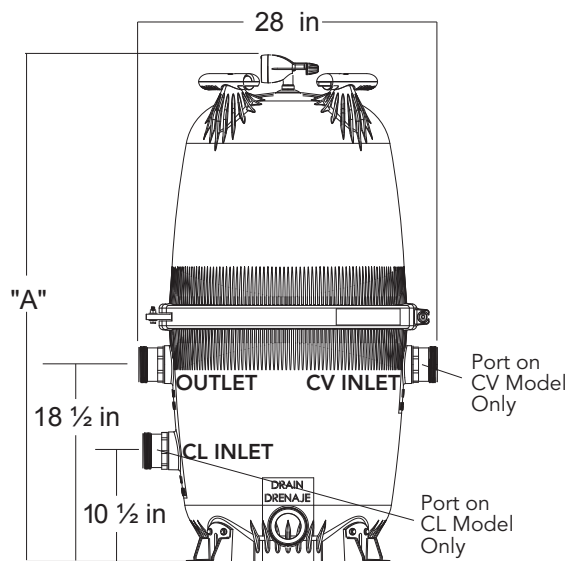
Large Cartridge Filters – Ultra Filtration



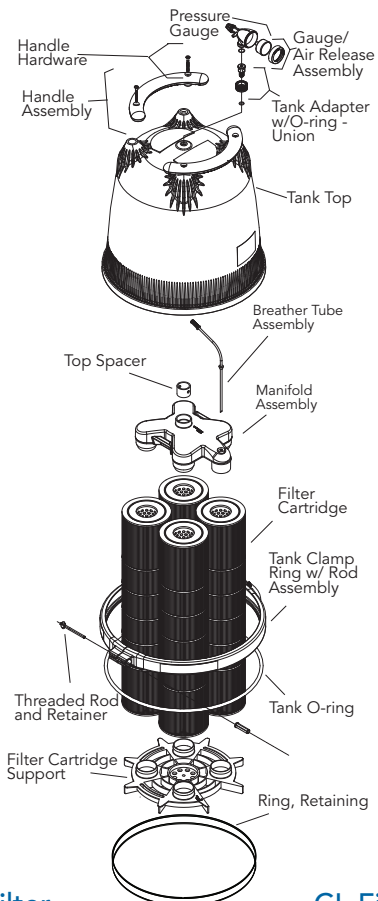
Optional Anchor Bracket

Optional anchor brackets easily attach to the filter tank and mount to the pad to hold the filter securely in place. These brackets are sold separately as an accessory.

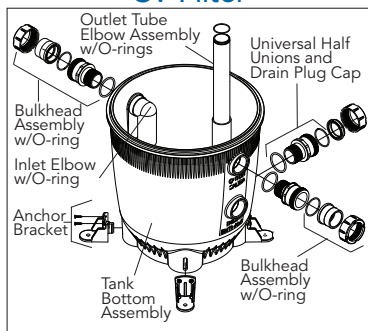
LARGE CARTRIDGE FILTER DIMENSIONS



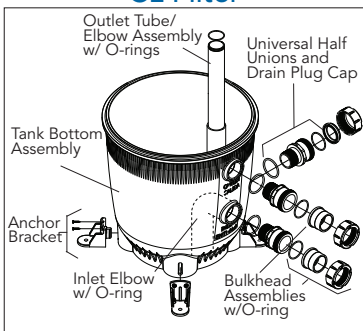
LARGE CARTRIDGE FILTERS



CV Filter



CL Filter



SPECIFICATIONS FOR JANDY LARGE CARTRIDGE FILTERS

MODEL NUMBER	CV340/ CL340	CV460/ CL460	CV580/ CL580
Filter Area	340 ft ²	460ft ²	580 ft ²
Design Flow Rate	1.0 gpm/ft ²	1.0 gpm/ft ²	1.0 gpm/ft ²
Maximum Flow	127 gpm	150 gpm	150 gpm
Six Hour Capacity	45,720 gallons	54,000 gallons	54,000 gallons
Eight Hour Capacity	60,960 gallons	72,000 gallons	72,000 gallons
Maximum Working Pressure	50 psi	50 psi	50 psi
Cartridges Required	4 (85 ft ² each)	4 (115 ft ² each)	4 (145 ft ² each)
Shipping Weight	93 lbs	95 lbs	107 lbs
Height ("A")	41 inches	41 inches	47 inches
Footprint	25" diameter circle	25" diameter circle	25" diameter circle
Distance Between Inlet and Outlet (CV)	180°	180°	180°
Distance Between Inlet and Outlet (CL)	8 inches	8 inches	8 inches



ALL JANDY PRODUCTS WORK SEAMLESSLY TOGETHER
Jandy Control Systems manage our complete line of technologically advanced products.



Pumps • Filters • Heaters • Heat Pumps • Controls
Lights • Water Purification • Valves • Water Features • Water Leveling
Cleaners • In-Floor • Pool Covers • Accessories

1.800.822.7933 • www.jandy.com • info@jandy.com • ©2009 Zodiac Pool Systems, Inc.