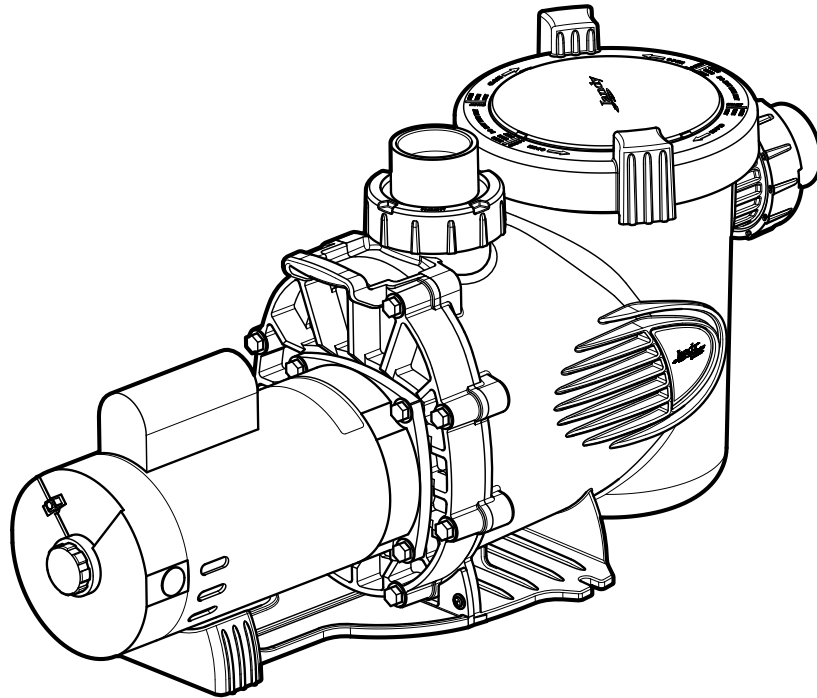




# INSTALLATION AND OPERATION MANUAL

ENGLISH | FRANÇAIS | ESPAÑOL



## Jandy Stealth™ Pumps Models SHPF and SHPM

### **! WARNING**

**FOR YOUR SAFETY** - This product must be installed and serviced by a contractor who is licensed and qualified in pool equipment by the jurisdiction in which the product will be installed where such state or local requirements exist. The maintainer must be a professional with sufficient experience in pool equipment installation and maintenance so that all of the instructions in this manual can be followed exactly. Before installing this product, read and follow all warning notices and instructions that accompany this product. Failure to follow warning notices and instructions may result in property damage, personal injury, or death. Improper installation and/or operation may void the warranty.



Improper installation and/or operation can create unwanted electrical hazard which can cause serious injury, property damage, or death.

**ATTENTION INSTALLER** - This manual contains important information about the installation, operation and safe use of this product. This information should be given to the owner/operator of this equipment.

# Table of Contents

**Section 1. IMPORTANT SAFETY INSTRUCTIONS.....3**

- 1.1 Safety Instructions..... 3
- 1.2 Pool Pump Suction Entrapment Prevention Guidelines ..... 5

**Section 2. General Description .....6**

- 2.1 Introduction..... 6
- 2.2 Description ..... 6

**Section 3. Installation.....6**

- 3.1 Plumbing ..... 6
- 3.2 Electrical Installation..... 8
- 3.3 Pressure Testing..... 10

**Section 4. Operation.....12**

- 4.1 Start-up..... 12

**Section 5. Service and Maintenance.....13**

- 5.1 Routine Maintenance ..... 13
- 5.2 Winterizing the Pump ..... 13

**Section 6. Troubleshooting .....14**

- 6.1 Troubleshooting..... 14

**Section 7. Product Specifications and Technical Data .....15**

- 7.1 Replacement Parts List ..... 15
- 7.2 Exploded View..... 16
- 7.3 SHPF and SHPM Pump Curves..... 17
- 7.4 Physical and Operational Specifications ..... 17

## EQUIPMENT INFORMATION RECORD

DATE OF INSTALLATION \_\_\_\_\_

INSTALLER INFORMATION \_\_\_\_\_

INITIAL PRESSURE GAUGE READING (WITH CLEAN FILTER) \_\_\_\_\_

PUMP MODEL \_\_\_\_\_

HORSEPOWER \_\_\_\_\_

NOTES: \_\_\_\_\_

\_\_\_\_\_

\_\_\_\_\_

# Section 1. IMPORTANT SAFETY INSTRUCTIONS

## READ AND FOLLOW ALL INSTRUCTIONS

### 1.1 Safety Instructions

All electrical work must be performed by a licensed electrician and conform to all national, state, and local codes. When installing and using this electrical equipment, basic safety precautions should always be followed, including the following:

#### WARNING

**RISK OF SUCTION ENTRAPMENT HAZARD, WHICH, IF NOT AVOIDED, CAN RESULT IN SERIOUS INJURY OR DEATH.** Do not block pump suction as this can cause severe injury or death. Do not use this pump for wading pools, shallow pools or spas containing bottom drains, unless the pump is connected to at least two functioning suction outlets. Suction outlet (drain) assemblies and covers must be certified to the latest published version of ANSI®/ASME® A112.19.8, or its successor standard, ANSI/APSP-16.

#### WARNING

To reduce the risk of injury, do not permit children to use this product.

#### WARNING

To reduce the risk of property damage or injury, do not attempt to change the backwash (multiport, slide, or full flow) valve position with the pump running.

#### WARNING

Jandy pumps are powered by a high voltage electric motor and must be installed by a licensed or certified electrician or a qualified swimming pool service technician.

#### WARNING

**RISK OF ELECTRIC SHOCK, FIRE, PERSONAL INJURY, OR DEATH (For all permanently installed units intended for use on 15 or 20 ampere, 120 through 240 volt, single phase branch circuits).** Connect only to a branch circuit that is protected by a ground-fault circuit-interrupter (GFCI). Contact a qualified electrician if you cannot verify that the circuit is protected by a GFCI. A GFCI should be provided by the installer and should be tested on a routine basis. To test the GFCI, push the test button. The GFCI should interrupt power. Push the reset button. Power should be restored. If the GFCI fails to operate in this manner, the GFCI is defective. If the GFCI interrupts power to the pump without the test button being pushed, a ground current is flowing, indicating the possibility of electrical shock. Do not use the pump. Disconnect the pump and have the problem corrected by a qualified service representative before using.

Due to the potential risk of fire, electric shock, or injuries to persons, Jandy Pumps must be installed in accordance with the National Electrical Code® (NEC®), all local electrical and safety codes, and the Occupational Safety and Health Act (OSHA®). Copies of the NEC may be ordered from the National Fire Protection Association® (NFPA®) online at [www.nfpa.org](http://www.nfpa.org) or call 617-770-3000, or contact your local government inspection agency.

#### WARNING

Incorrectly installed equipment may fail, causing severe injury or property damage.

#### WARNING

- Do not connect the system to an unregulated city water system or other external source of pressurized water producing pressures greater than 35 PSI.
- Trapped air in system can cause the filter lid to be blown off, which can result in death, serious personal injury, or property damage. Be sure all air is out of the system before operating.

**⚠ WARNING**

To minimize the risk of severe injury or death the filter and/or pump should not be subjected to the piping system pressurization test.

Local codes may require the pool piping system to be subjected to a pressure test. These requirements are generally not intended to apply to the pool equipment such as filters or pumps.

Zodiac® pool equipment is pressure tested at the factory.

However, if the WARNING cannot be followed and pressure testing of the piping system must include the filter and/or pump, **BE SURE TO COMPLY WITH THE FOLLOWING SAFETY INSTRUCTIONS:**

- Check all clamps, bolts, lids, lock rings and system accessories to ensure they are properly installed and secured before testing.
- RELEASE ALL AIR in the system before testing.
- Water pressure for test must NOT EXCEED 35 PSI.
- Water temperature for test must NOT EXCEED 100°F (38°C).
- Limit test to 24 hours. After test, visually check system to be sure it is ready for operation.

NOTICE: These parameters apply to Zodiac equipment only. For non-Zodiac equipment, consult equipment manufacturer.

**⚠ WARNING**

Chemical spills and fumes can weaken pool/spa equipment. Corrosion can cause filters and other equipment to fail, resulting in severe injury or property damage. Do not store pool chemicals near your equipment.

**⚠ CAUTION**

Do not start pump dry! Running the pump dry for any length of time will cause severe damage and may void the warranty.

In order to avoid premature failure or damage to the pump motor, protect the pump from direct water exposure from sprinklers, water runoff from rooftops and drainage, etc.. Failure to comply may cause pump failure, and may void warranty.

**⚠ CAUTION**

This pump is for use with permanently installed pools and may also be used with hot tubs and spas if so marked. Do not use with storable pools. A permanently installed pool is constructed in or on the ground or in a building such that it cannot be readily disassembled for storage. A storable pool is constructed so that it may be readily disassembled for storage and reassembled to its original integrity.

**⚠ CAUTION**

Do not install within an outdoor enclosure or beneath the skirt of a hot tub or portable spa. The pump requires adequate ventilation to maintain air temperature at less than the maximum ambient temperature rating listed on the motor rating plate.

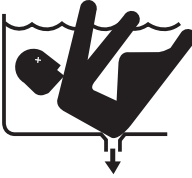
**SAVE THESE INSTRUCTIONS**

## 1.2 Pool Pump Suction Entrapment Prevention Guidelines

### ⚠ CAUTION

The 3-phase SHPF series pumps utilize non-thermally protected motor assemblies. NRTL Listed Motor Controller with internal motor running overload protection or external motor running overload are required during the final installation of the pump assembly. Overloads shall be set at a maximum of 125% of the full-load current rating of the pump motor assembly.

### ⚠ WARNING



**SUCTION HAZARD. Can cause serious injury or death. Do not use this pump for wading pools, shallow pools or spas containing bottom drains, unless the pump is connected to at least two (2) functioning suction outlets.**

### ⚠ WARNING

**Pump suction is hazardous and can trap and drown or disembowel bathers. Do not use or operate swimming pools, spa, or hot tubs if a suction outlet cover is missing, broken, or loose.** The following guidelines provide information for pump installation that minimizes the risk of injury to users of pools, spas, and hot tubs:

**Entrapment Protection** - The pump suction system must provide protection against the hazards of suction entrapment.

**Suction Outlet Covers** - All suction outlets must have correctly installed, screw-fastened covers in place. All suction outlet (drain) assemblies and their covers must be properly maintained. Suction outlets (drain) assemblies and their covers must be listed/certified to the latest version of ANSI/ASME® A112.19.8 or its successor standard, ANSI/APSP-16. They must be replaced if cracked, broken, or missing.

**Number of Suction Outlets Per Pump** - Provide at least two (2) hydraulically-balanced main drains, with covers, as suction outlets for each circulating pump suction line. The centers of the main drains (suction outlets) on any one (1) suction line must be at least three (3) feet apart, center to center. See Figure 1.

The system **must** be built to include at least two (2) suction outlets (drains) connected to the pump whenever the pump is running. However, if two (2) main drains run into a single suction line, the single suction line may be equipped with a valve that will shut off both main drains from the pump. The system shall be constructed such that it shall not allow for separate or independent shutoff or isolation of each drain. See Figure 1.

More than one (1) pump can be connected to a single suction line as long as the requirements above are met.

**Water Velocity** - The maximum water velocity through the suction outlet assembly and its cover for any suction outlet must not exceed the suction fitting assembly and its cover's maximum design flow rate. The suction outlet (drain) assembly and its cover must comply with the latest version of ANSI/ASME A112.19.8, the standard for Suction Fittings For Use in Swimming Pools, Wading Pools, Spas, and Hot Tubs, or its successor standard, ANSI/APSP-16.

If 100% of the pump's flow comes from the main drain system, the maximum water velocity in the pump suction hydraulic system must be six (6) feet per second or less, even if one (1) main drain (suction outlet) is completely blocked. The flow through the remaining main drain(s) must comply with the latest version of ANSI/ASME A112.19.8 or its successor standard, ANSI/APSP-16, the standard for Suction Fittings For Use in Swimming Pools, Wading Pools, Spas, and Hot Tubs.

**Testing and Certification** - Suction outlet assemblies and their covers must have been tested by a nationally recognized testing laboratory and found to comply with the latest version of ANSI/ASME A112.19.8 or its successor standard, ANSI/APSP-16, the standard for Suction Fittings For Use in Swimming Pools, Wading Pools, Spas, and Hot Tubs.

**Fittings** - Fittings restrict flow; for best efficiency use fewest possible fittings (but at least two (2) suction outlets). Avoid fittings which could cause an air trap.

Pool cleaner suction fittings must conform to applicable International Association of Plumbing and Mechanical Officials (IAPMO) standards.

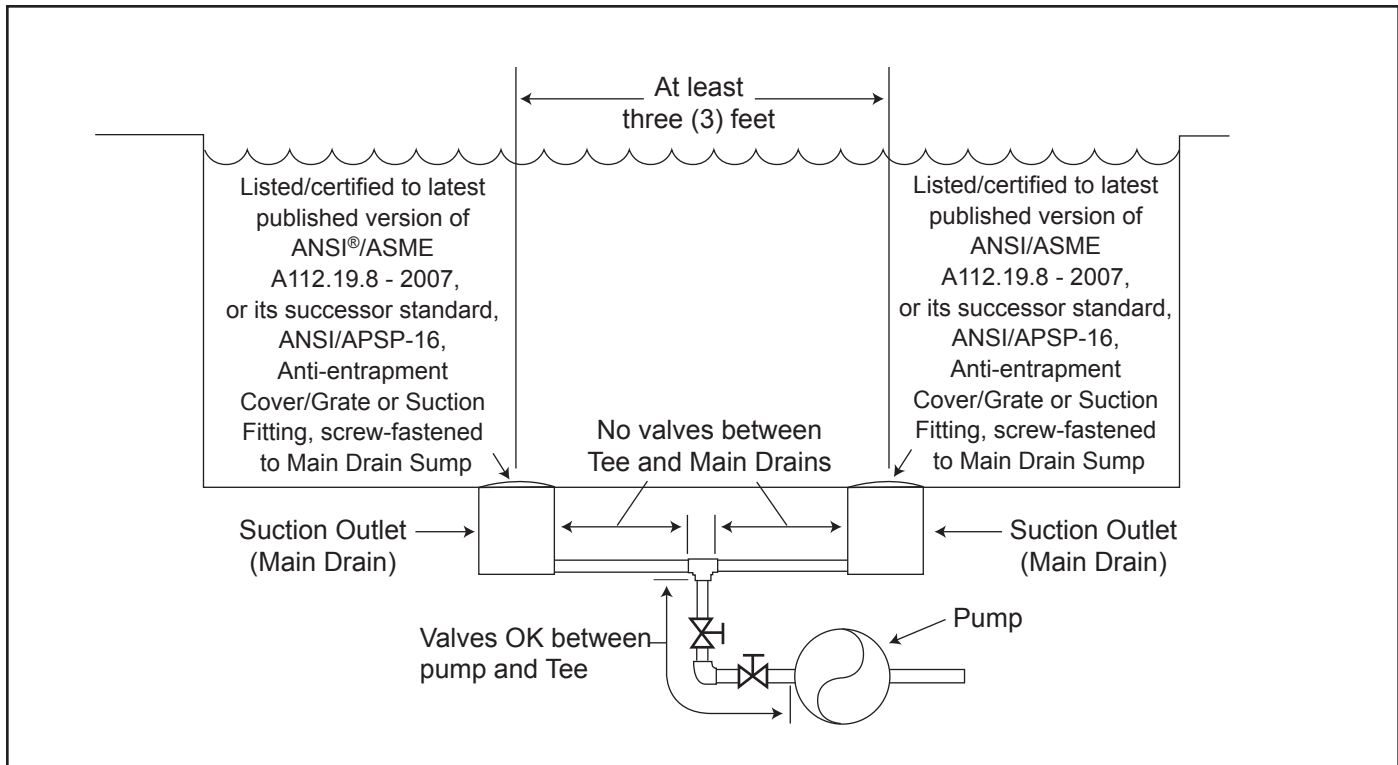


Figure 1. Number of Suction Outlets Per Pump

## Section 2. General Description

### 2.1 Introduction

This manual contains information for the proper installation, operation and maintenance of Jandy Stealth (SHP) Pumps. Procedures in this manual must be followed exactly. To obtain additional copies of this manual contact Zodiac Pool Systems LLC at 800.822.7933. For address information, see the back cover of this manual.

### 2.2 Description

Jandy SHP Pumps are designed to meet the needs of today's more hydraulically demanding pool equipment. The pump housing, backplate, diffuser, hair and lint pot (pump debris filter basket), and impeller are all made from high quality thermoplastic materials. These materials were chosen for their strength and corrosion resistance.

The pump is driven by an electric motor directly attached to the pump impeller. As the electric motor turns, it causes the impeller to turn, which forces water to flow through the pump. The water flows through the pump inlet and then into the filter basket. The basket assembly pre-strains and traps large particles. The water then enters the center of the pump housing, flows through the impeller into the diffuser, and then flows out the pump discharge port.

## Section 3. Installation

### 3.1 Plumbing

#### 3.1.1 Preparation

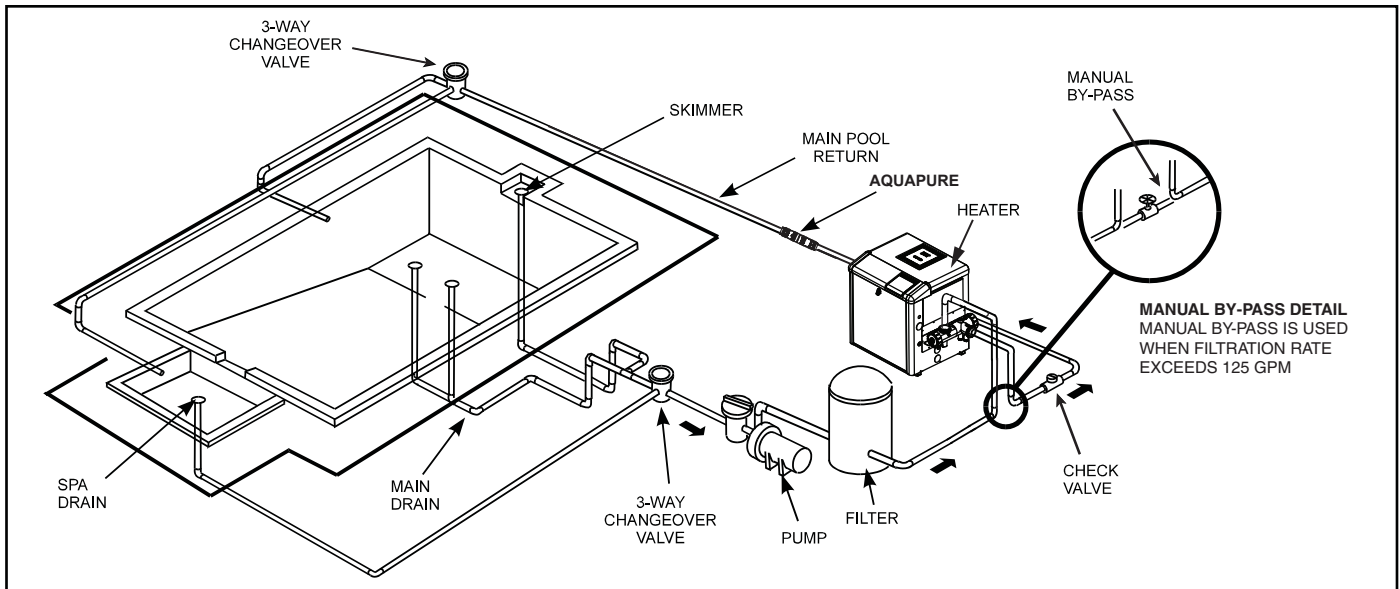
1. Upon receipt of the pump, check the carton for damage. Open the carton and check the pump for concealed damage, such as cracks, dents or a bent base. If damage is found, contact the shipper or distributor where you purchased the pump.
2. Inspect the contents of the carton and verify that all the parts are included. See Section 7.1, Replacement Parts List.

#### 3.1.2 Pump Location

### ⚠ WARNING

To Reduce the Risk of Fire, install pool equipment in an area where leaves or other debris will not collect on or around the equipment. Keep surrounding area clear of all debris such as paper, leaves, pine-needles and other combustible materials.

1. Zodiac Pool Systems LLC recommends installing the pump within one (1) foot above the water level. The pump should not be elevated more than a few feet above the water level of the pool. A check valve is recommended on the suction line to the pump.



**Figure 2. Typical Piping Installation**

**NOTE** Better self-priming will be achieved if the pump is installed as close as possible to the water level of the pool.

2. If the pump is located below water level, isolation valves must be installed on both the suction and return lines to prevent back flow of pool water during any routine or required servicing.

**⚠ WARNING**

Some Safety Vacuum Release System (SVRS) devices are not compatible with installation of check valves. If the pool has an SVRS device, be sure to confirm that it will continue to safely operate when any check valves are installed.

3. Install the pump such that any disconnecting means and/or junction boxes for power connection are within sight of the pump and at least five (5) feet horizontally from the edge of the pool and/or spa. Choose a location that will minimize turns in the piping.

**NOTE** In Canada, the minimum distance maintained from the edge of the pool and/or spa as noted above must be 3 meters (10 feet), as required by the Canadian Electrical Code (CEC, CSA C22.1).

4. The pump should be installed on a firm, solid, and level surface to avoid risk of settlement. Do not use sand to level the pump as sand will wash away. Check local building codes for any additional requirements (Ex. Equipment pads in Florida must be concrete and equipment must be secured to the pad.)

**NOTE** Zodiac Pool Systems LLC recommends bolting the pump directly to the foundation.

5. The pump foundation must have adequate drainage to prevent the motor from getting wet. The pump needs to be protected from the rain and sun.

**NOTE** Protect the pump from direct water exposure from sprinklers, water runoff from rooftops and drainage, etc. Failure to comply may cause pump failure, and may void warranty.

6. Proper ventilation is required for the pump to operate normally. All motors generate heat that must be removed by providing proper ventilation.
7. Provide access for future service by leaving a clear area around the pump. Allow plenty of space above the pump to remove the lid and basket for cleaning.
8. If the equipment is under cover, provide adequate lighting.

**3.1.3 Pipe Sizing**

**NOTE** All HP ratings given in this section apply to full-rated pumps. For help with max-rated pumps, contact Zodiac Technical Support at 800.822.7933.

**3.1.3.1 Suction Pipe**

When the pump is located up to 50 feet from the pool, the recommended minimum pipe size for the suction side of the pump is:

- 2" for .75 to 1.5 HP\*
- 2½" for 2.0 HP\*
- 3" for 3.0 HP\*
- 4" for 5.0 HP\*

\* HP refers to full-rated pumps

### 3.1.3.2 Discharge Pipe

When the pump is located up to 50 feet from the pool, the recommended minimum pipe size for the discharge side of the pump is:

- 2" for .75 to 1.5 HP\*
- 2½" for 2.0 HP\*
- 3" for 3.0 HP\*
- 4" for 5.0 HP\*

\* HP refers to full-rated pumps

**NOTE** All pipe sizes are able to withstand the pressures the pump will deliver, but not necessarily the flow. If the pipe is too small for the pump, or it is elevated above water, the maximum gallons per minute (GPM) may not be delivered. If this happens, the pump will develop an air pocket (cavitation) that will make noise and the pump life will be shortened.

### 3.1.3.3 Installation Recommendations

1. If the pump is located below water level, isolation valves must be installed on both sides of the pump to prevent back flow of pool water during any routine or required servicing.
2. To help prevent difficulty in priming, install the suction pipe without high points (above inlet of pump - inverted "U"s in plumbing), which can trap air. For installations of equipment up to 100 feet from the water, refer to the pipe sizing chart, Table 1. For installations of equipment more than 100 feet from the water, the recommended pipe must be increased to the next size.

**Table 1. Pipe Sizing Chart for Schedule 40 PVC**

Pipe Size	Maximum Flow Suction (6 feet per second)	Maximum Flow Discharge (8 feet per second)
1½"	37 GPM (140 LPM)	50 GPM (189 LPM)
2"	62 GPM (235 LPM)	85 GPM (322 LPM)
2½"	88 GPM (333 LPM)	120 GPM (454 LPM)
3"	136 GPM (515 LPM)	184 GPM (697 LPM)
4"	234 GPM (886 LPM)	313 GPM (1185 LPM)

3. SHP Pumps come equipped with unions on both the suction and discharge ports. This feature simplifies installation and service, and eliminates the possibility of leaks at threaded adapters.
4. The SHP Pump must be connected to at least two (2) hydraulically balanced main drains (suction outlets) for each pool pump suction line. Each drain (suction outlet) assembly must be provided with covers and must be listed or certified to the latest version of ANSI/ASME® A112.19.8, or its successor standard, ANSI/APSP-16. The suction

outlets of the main drains must be at least three (3) feet apart or at different planes. The suction outlets can be a drain and skimmer, two (2) drains, two (2) skimmers, or a skimmer with an equalizer line installed. Check the local codes for proper installation requirements.

**NOTE** To prevent entrapment, the system must be built so that it cannot operate with the pump drawing water from only one (1) main drain. At least two (2) main drains **must** be connected to the pump when it is in operation. However, if two (2) main drains run into a single suction line, the single suction line may be equipped with a valve which will shut off both main drains from the pump.

5. The piping must be well supported and not forced together where constant stress will be experienced.
6. Always use properly sized valves. Jandy Diverter Valves and Ball Valves typically have the best flow capabilities.
7. Use the fewest fittings possible. Every additional fitting has the effect of moving the equipment farther away from the water.

**NOTE** If more than 10 suction fittings are needed, the pipe size must be increased.

8. If this is a new installation, pressure test according to local codes. See *Section 3.3, Pressure Testing*.

## 3.2 Electrical Installation

### 3.2.1 Voltage Checks

The correct voltage, as specified on the pump data plate, is necessary for proper performance and long motor life. Incorrect voltage will decrease the pump's ability to perform and could cause overheating, reduce the motor life, and result in higher electric bills.

It is the responsibility of the electrical installer to provide data plate operating voltage to the pump by ensuring proper circuit sizes and wire sizes for this specific application.

The National Electrical Code® (NEC®, NFPA-70®) requires all permanently installed pool pumps intended for use on 15 or 20 ampere, 120 through 240 volt, single phase branch circuits be protected with a Ground Fault Interrupter (GFCI). Therefore, it is also the responsibility of the electrical installer to ensure that the pump circuit is in compliance with this and all other applicable requirements of the National Electrical Code (NEC) and any other applicable installation codes.

## CAUTION

Failure to provide data plate voltage (within 10%) during operation will cause the motor to overheat and may void the warranty.



**3.2.2 Bonding and Grounding**

1. In addition to being properly grounded as described below in Sec. 3.2.3, and in accordance with the requirements of the National Electrical Code (NEC), or in Canada the Canadian Electrical Code (CEC), the pump motor must be bonded to all metal parts of the swimming pool, spa or hot tub structure and to all electrical components and equipment associated with the pool/spa water circulation system.
2. The bonding must be accomplished by using a solid copper conductor, No. 8 AWG or larger. In Canada No. 6 AWG or larger must be used. Bond the motor using the external bonding lug provided on the motor frame.

National Electrical Code® (NEC®) requires bonding of the Pool Water. Where none of the bonded pool equipment, structures, or parts are in direct connection with the pool water; the pool water shall be in direct contact with an approved corrosion-resistant conductive surface that exposes not less than 5800 mm<sup>2</sup> (9 in<sup>2</sup>) of the surface area to the pool water at all times. The conductive surface shall be located where it is not exposed to physical damage or dislodgement during usual pool activities, and it shall be bonded in accordance with the bonding requirements of NEC Article 680. Refer to locally enforced codes for any additional bonding requirements.

<b>RECOMMENDED MINIMUM WIRE SIZE FOR SHP PUMPS* (1-PHASE POWER)</b>										
Distance from Sub-Panel			0-50 Feet		50-100 Feet		100-150 Feet		150-200 Feet	
Pump Model	Inverse - Time Circuit Breaker or Branch Fuse AMPs Class: CC, G, H, J, K, RK, or T		Voltage		Voltage		Voltage		Voltage	
	208-230VAC	115VAC	208-230VAC	115 VAC	208-230VAC	115 VAC	208-230VAC	115 VAC	208-230VAC	115 VAC
SHPF.50 / SHPM.75	15A	15A	14	12	12	8	10	6	8	6
SHPF.75 / SHPM1.0	15A	15A	14	12	12	8	10	6	8	6
SHPF1.0 / SHPM1.5	15A	20A	12	10	10	8	8	6	6	4
SHPF1.5 / SHPM2.0	15A	N/A	12	N/A	10	N/A	8	N/A	6	N/A
SHPF2.0 / SHPM2.5	15A	N/A	12	N/A	8	N/A	6	N/A	6	N/A
SHPF3.0	20A	N/A	10	N/A	8	N/A	6	N/A	4	N/A
SHPF5.0	25A	N/A	10	N/A	6	N/A	4	N/A	4	N/A
SHPF1.0-2 **	15A	N/A	12	N/A	10	N/A	8	N/A	6	N/A
SHPF1.5-2 **	15A	N/A	12	N/A	10	N/A	8	N/A	6	N/A
SHPF2.0-2 **	15A	N/A	12	N/A	8	N/A	6	N/A	6	N/A
SHPM1.5-2 **	15A	N/A	12	N/A	10	N/A	8	N/A	6	N/A
SHPM2.0-2 **	15A	N/A	12	N/A	10	N/A	8	N/A	6	N/A
SHPM2.5-2 **	15A	N/A	12	N/A	8	N/A	6	N/A	6	N/A

\*Assumes three (3) copper conductors in a buried conduit and 3% maximum voltage loss in branch circuit. All National Electrical Code® (NEC®) and local codes must be followed. Table shows minimum wire size and branch fuse recommendations for a typical installation per NEC.

\*\*Two-speed pumps are not rated for use with 208 VAC.

<b>RECOMMENDED MINIMUM WIRE SIZE FOR SHP PUMPS* (3-PHASE POWER)</b>										
Distance from Sub-Panel			0-50 Feet		50-100 Feet		100-150 Feet		150-200 Feet	
Pump Model	Inverse - Time Circuit Breaker or Branch Fuse AMPs Class: CC, G, H, J, K, RK, or T		Voltage		Voltage		Voltage		Voltage	
	460VAC	115VAC	460VAC	208-230VAC	460VAC	208-230VAC	460VAC	208-230VAC	460VAC	208-230VAC
SHPF1.0-3PH	15A	15A	14	12	12	12	10	10	8	8
SHPF1.5-3PH	15A	15A	12	12	10	10	8	8	6	6
SHPF2.0-3PH	15A	15A	12	12	10	10	8	8	6	6
SHPF3.0-3PH	15A	15A	12	12	8	8	6	6	6	6
SHPF5.0-3PH	15A	20A	10	10	6	6	4	4	4	4

\*Assumes four (4) copper conductors in a buried conduit and 3% maximum voltage loss in branch circuit. All National Electrical Code® (NEC®) and local codes must be followed. Table shows minimum wire size and branch fuse recommendations for a typical installation per NEC.

**Table 2. Recommended Minimum Wire Size**

**⚠ WARNING**

To avoid the risk of property damage, severe personal injury, and/or death, always disconnect the power source before working on a motor or its connected load.

**⚠ WARNING**

To avoid the risk of property damage, severe personal injury, and/or death, make sure that the control switch or time clock is installed in an accessible location so that in the event of an equipment failure or a loose plumbing fitting the equipment can be turned off. This location must not be in the same area as the pool pump, filter, and other equipment.

**⚠ WARNING**

The pump must be permanently connected to a dedicated electrical circuit. No other equipment, lights, appliances or outlets may be connected to the pump circuit, with the exception of devices that may be required to operate simultaneously with the pump, such as a chlorinating device or heater.

**3.2.3 Electrical Wiring****⚠ WARNING**

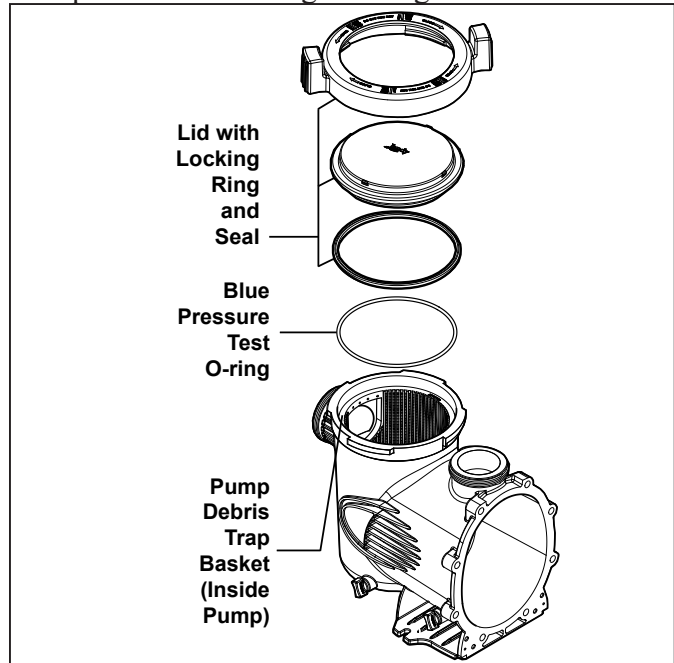
To avoid risk of property damage, severe personal injury, or death, always ground before connecting to an electrical power supply.

1. The pump motor must be securely and adequately grounded using the green screw provided. Ground before attempting to connect to an electrical power supply. **Do not ground to a gas supply line.**
2. Wire size must be adequate to minimize voltage drop during the start-up and operation of the pump. See Table 2 for recommended wire sizes.
3. Insulate all connections carefully to prevent grounding or short-circuits. Sharp edges on terminals require extra protection. To prevent wire nuts from loosening, tape them using a suitable, listed (UL, ETL, CSA) electrical insulating tape. For safety, and to prevent entry of contaminants, reinstall all conduit and terminal box covers. **Do not force connections into the conduit box.**

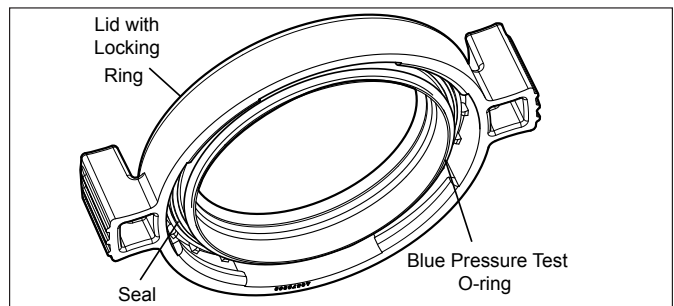
4. To configure the internal wiring of the pump motor for the correct voltage, refer to the diagram on the motor data plate.
5. For 3-Phase motors - confirm direction of motor rotation matches the directional arrow on the pump. Failure to do so may cause pump failure, and may also void warranty.

**3.3 Pressure Testing**

All model SHP pumps come with an additional disposable o-ring for pressure testing. This is the blue pressure test o-ring. See Figures 3 and 4.



**Figure 3. Exploded View of Pump**



**Figure 4. Blue Pressure Test O-ring in Lid Assembly**

**⚠ CAUTION**

Do not open the pump lid before pressure testing, because the blue pressure test o-ring may fall out. If this happens, you may need to replace it.

If you have not opened the pump lid, skip to *Section 3.3.2, Conduct Pressure Test.*

### 3.3.1 Replace Blue Pressure Test O-ring if Necessary

If you open the pump lid **before** conducting the pressure test, the blue o-ring may fall out. If this happens, you will need to install it on the lid again before conducting pressure testing.

There is a risk of damage to the blue o-ring during re-installation. If you damage it when trying to re-install it, you will need to order a new blue pressure test o-ring (R0479000) before you begin conducting the pressure test.

These instructions describe the proper procedures for replacing, using, and disposing of the blue o-ring.

**These instructions must be followed exactly. Read through the instructions completely before starting the procedure.**

#### 3.3.1.1 Remove Pump Lid

1. Make sure that the pump is turned off.
2. Make sure that the switch to the circuit breaker that powers the pump motor is turned off.

### ⚠ WARNING

Turn off the pump and the main breaker in the pump electrical circuit before starting the procedure. Failure to comply may cause a shock hazard, resulting in severe personal injury or death.

### ⚠ WARNING

Due to the potential risk of fire, electric shock, or injuries to persons, Jandy Pumps must be installed in accordance with the National Electrical Code® (NEC®), in the USA, or the Canadian Electrical Code (CEC®) in Canada. All applicable local codes must also be followed.

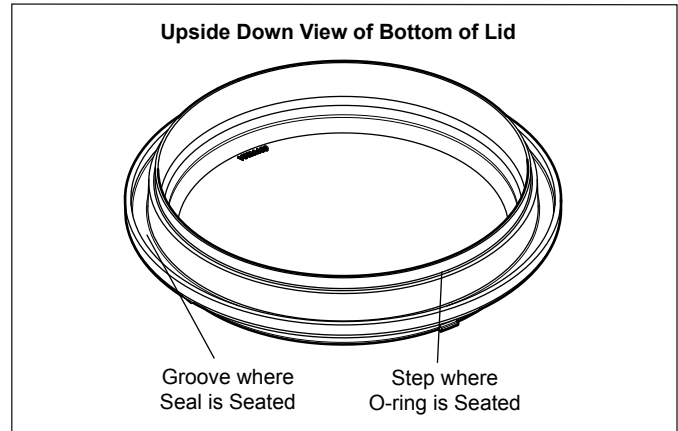
The NEC may be obtained by contacting the National Fire Protection Association® (NFPA®) at 1-800-344-3555 or 1-617-770-3000.

3. Make sure all necessary isolation valves are closed to prevent pool water from reaching the pump.
4. Following the markings on the locking ring, turn the ring counter-clockwise until the 'START' markings align with the ports.
5. Carefully remove the lid with locking ring.

#### 3.3.1.2 Replace Blue O-ring

1. Turn the lid with locking ring upside down and place it on a stable surface.

2. Place the blue o-ring on the step located  $\frac{1}{4}$ " from the bottom of the lid. See Figure 5.



**Figure 5. Placement of Blue Pressure Test O-ring**

3. Make sure that the o-ring is properly seated. It helps to "place" the o-ring on the step rather than to "roll" it on. That prevents it from rolling off.

**NOTE** The blue o-ring sits approximately  $\frac{1}{4}$ " away from the seal. See Figure 5.

4. Carefully install the lid, making sure that the blue pressure test o-ring sits in the housing without "binding" or "rolling" off.
5. Following the markings on the locking ring, align 'START' markings with the ports and turn clockwise until 'LOCKED' markings align with the ports. **Do not tighten past the 'LOCKED' marking.**

#### 3.3.1.3 Conduct Pressure Test

### ⚠ WARNING

When pressure testing a system with water, air is often trapped in the system during the filling process. This air will compress when the system is pressurized. Should the system fail, this trapped air can propel debris at a high speed and cause injury. Every effort to remove trapped air must be taken, including opening the bleed valve on the filter and loosening the pump basket lid on the filter pump while filling the pump.

### ⚠ WARNING

Trapped air in system can cause filter lid to be blown off, which can result in death, serious personal injury, or property damage. Be sure all air is properly out of system before operating. **DO NOT USE COMPRESSED AIR TO PRESSURE TEST OR CHECK FOR LEAKS.**

**⚠ WARNING**

When pressure testing the system with water, it is very important to make sure that the pump basket lid on the filter pump is completely secure.

**⚠ WARNING**

Do not pressure test above 35 PSI. Pressure testing must be done by a trained pool professional. Circulation equipment that is not tested properly can fail, which could result in severe injury or property damage.

1. Fill the system with water, using care to eliminate trapped air.
2. Pressurize the system with water to no more than 35 PSI.
3. Close the valve to trap pressurized water in the system.
4. Observe the system for leaks and/or pressure decay.
5. If there are lid leaks, repeat steps 1-3. For technical support, call 800.822.7933.
6. Discard the blue pressure test o-ring after successfully completing the test.

## Section 4. Operation

### 4.1 Start-up

**⚠ CAUTION**

Never run the pump without water. Running the pump “dry” for any length of time can cause severe damage to both the pump and motor and may void the warranty.

If this is a new pool installation, make sure all piping is clear of construction debris and has been properly pressure tested. The filter should be checked for proper installation, verifying all connections and clamps are secure according to the manufacturer's recommendations.

**⚠ WARNING**

To avoid risk of property damage, severe personal injury, or death, verify that all power is turned off before starting this procedure.

1. Release all pressure from the system and open the filter pressure release valve.
2. If the pump is located below the water level of the pool, opening the filter pressure release valve will prime the pump with water.
3. If the pump is located above the water level of the pool, remove the lid and fill the basket with water before starting the pump.
4. Prior to replacing the lid, check for debris around the lid o-ring seat. Debris around the lid o-ring seat will cause air to leak into the system, and make it difficult to prime the pump.
5. Hand-tighten the lid to make an air tight seal. Do not use any tools to tighten the lid, hand-tighten only. Make sure all valves are open and the unions are tight.
6. Turn on the power to the pump. Then turn on the pump.
7. For 3-Phase motors - confirm direction of motor rotation matches the directional arrow on the pump. Failure to do so may cause pump failure, and may also void warranty.
8. Once all the air has left the filter, close the pressure release valve.
9. The pump should prime. The time it takes to prime will depend on the elevation and length of pipe used on the suction supply pipe. See *Section 3.1.3.3* for proper elevation and pipe size.
10. If the pump does not prime and all the instructions to this point have been followed, check for a suction leak and then repeat Steps 2 through 7.

## Section 5. Service and Maintenance

### 5.1 Routine Maintenance

Inspect the pump basket for debris by looking through the clear pump lid. Remove any debris, because as debris accumulates, it will begin to block the flow of water through the pump. Keep the basket clean to improve the performance of the pump.

1. Turn off the power to the pump. If the pump is located below the water level, close the isolation valves on the suction and discharge sides of the pump to prevent a backflow of water.
2. Turn the lid's locking ring counter-clockwise until 'START' aligns with the ports. (You may use a tool for leverage to open the lid, but **never to tighten the lid** when closing it.) Carefully remove the lid.

### CAUTION

A misaligned basket will cause the lid to be improperly seated, allowing an air leak, which could result in pump damage.

3. Lift the basket out of the pump.
4. Dispose of the debris and thoroughly clean the basket, making sure all the holes are open. Using a garden hose, spray the basket from the outside to help clear the holes. Use your hands to remove any remaining debris.
5. Replace the basket in the pump by aligning the opening with the suction pipe. If aligned properly, the basket will drop easily into place. **Do not force into place.**
6. Prior to replacing the lid, check for debris around the lid o-ring seat, as this will cause air to leak into the system. Clean the lid o-ring and place it on the lid.
7. Hand-tighten the lid to make an air tight seal. **Do not use any tools to tighten the lid: hand-tighten only.**
8. Verify that all valves have been returned to the proper position for normal operation.
9. Open the pressure release valve on the filter, and make sure it is clean and ready for operation.
10. Turn on the power to the pump. Once all the air has been evacuated from the filter, close the pressure release valve.

### 5.2 Winterizing the Pump

#### CAUTION

The pump **must** be protected when freezing temperatures are expected. Allowing the pump to freeze will cause severe damage and may void the warranty.

#### CAUTION

**Do not use antifreeze solutions in the pool, spa, or hot tub systems!** Antifreeze is highly toxic and may damage the circulation system. The only exception to this is Propylene Glycol. For more information see your local pool/spa supply store or contact a qualified swimming pool service company.

1. Drain **all** water from the pump, system equipment, and piping.
2. Remove the two drain plugs. Store the drain plugs in a safe location and reinstall them when the cold weather season is over. **Do not lose the o-rings.** (Drain Plug with O-ring Set, R0446000)
3. Keep the motor covered and dry.

- NOTE** Covering the pump with plastic will create condensation, and this moisture will damage the pump. The best way to protect your pump is to have a qualified service technician or electrician properly disconnect the electrical wiring at the switch or junction box. Once the power is removed, the two unions can be loosened and the pump stored indoors. For safety, and to prevent entry of contaminants, reinstall all conduit and terminal box covers.
4. When the system is reopened for operation, make sure all piping, valves, wiring, and equipment are in accordance with the manufacturer's recommendations. Pay close attention to the filter and electrical connections.
  5. The pump must be primed prior to starting; refer to *Section 4.1, Start-up*.

## Section 6. Troubleshooting

Zodiac Pool Systems LLC strongly recommends that you call a qualified service technician to perform any repairs on the filter/pump system. To locate an independent service company, check your local yellow pages or visit [www.zodiacpoolsystems.com](http://www.zodiacpoolsystems.com) and click on "Support."

### 6.1 Troubleshooting

Symptom	Possible Problem/Solution
The cleaning/circulating system is not operating correctly.	<p>Verify that skimmer baskets, pump basket and other screens are clean. Clean as necessary.</p> <p>Check filter and clean as necessary.</p> <p>Check valve positions. Adjust as necessary.</p> <p><b>NOTE</b> Multiple pieces of equipment operating at one time (for example, waterfalls, spa jets, and surface returns) may prevent the cleaning system from working properly.</p> <p>Check the cleaning system manually to ensure that the system is adjusted according to the manufacturer's recommendations.</p>
Bubbles present in the pump basket.	<p>Air in system. Check the pool or spa water level to ensure it is at the proper level and that air is not being drawn into the suction piping. If the water is at normal level, turn off the pump. Remove the lid and check for debris around the lid o-ring seat or improper installation of the lid seal, as this either of these conditions will cause air to leak into the system. Clean the lid o-ring and place on the lid. Hand-tighten the lid to make an air tight seal. <b>Do not use any tools to tighten the lid.</b> Turn the pump back on.</p>
Air leaks are still present.	<p>Check the suction side piping union. While the pump is running, try to tighten the union. If this does not stop the air leak, turn off the pump. Loosen both unions and slide the pump out of the way. Remove, clean and re-install both union o-rings.</p> <p>Reposition the pump next to the piping and secure the union nuts to the pump. With clean union o-rings, hand-tightening of the unions should create a seal. If the unions still do not seal, gently tighten with a large pair of tongue-and-groove pliers. <b>Do not over-tighten.</b></p>
There is no air in the system, but the pressure is still low.	<p>It is possible that debris is caught in the pump impeller. The pump impeller moves the water, and the vanes in the impeller can become blocked with debris.</p> <ol style="list-style-type: none"> <li>1. Turn off the pump. Switch off the circuit breaker to the pump motor.</li> <li>2. Remove the lid and basket.</li> <li>3. Look inside the pump for any debris. Remove any debris found inside.</li> <li>4. Replace the basket and lid.</li> <li>5. Switch on the circuit breaker to the pump motor.</li> <li>6. Turn on the pump, and see if the problem is solved.</li> <li>7. If the impeller is still blocked with debris and it is not possible to remove the debris using Steps 2 through 4, the pump will need to be disassembled in order to access the inlet and outlet of the impeller.</li> </ol>

Symptom	Possible Problem/Solution
There is no debris blocking the impeller <b>and</b> the pressure is still low.	The pump impeller and diffuser are showing signs of normal wear. Have a qualified service technician check the impeller and diffuser and replace as necessary.  If the pump is part of a relatively new installation, it could be an electrical problem. Contact a qualified service technician. Have the technician check for loose electrical connections and check the voltage at the pump motor while it is in operation. The voltage must be within 10% of the motor's data plate rating. If the voltage is not within 10%, contact a qualified electrician and/or the local power service provider.
The pump is leaking water between the motor and pump body.	This is caused by a damaged or failed mechanical seal. Pump seal is leaking air. Have a qualified service technician replace the seal.
The pump gets hot and shuts off periodically.	Ensure that there is adequate room around the motor to circulate air and keep the motor cool. Have a qualified electrician check for loose connections and check the voltage at the pump motor while it is in operation. The voltage must be within 10% of the motor's data plate rating. If the voltage is not within 10%, contact a qualified electrician and/or the local power service provider.

## Section 7. Parts, Product Specifications and Technical Data

### 7.1 Replacement Parts List

To order or purchase parts for Zodiac® pumps, contact your nearest Zodiac dealer. If they cannot supply you with what you need, contact Zodiac technical support at 800.822.7933 or send an e-mail message to:

[productsupport@fluidra.com](mailto:productsupport@fluidra.com)

Key No.	Description	Model No. (HP)	Order Part No.
1	Single-speed Motor & Hardware, SHPF	.50	R0445114
1	Single-speed Motor & Hardware, SHPF	.75	R0445101
1	Single-speed Motor & Hardware, SHPF	1.0	R0445102
1	Single-speed Motor & Hardware, SHPF	1.5	R0445103
1	Single-speed Motor & Hardware, SHPF	2.0	R0445104
1	Single-speed Motor & Hardware, SHPF	3.0	R0445105
1	Single-speed Motor & Hardware, SHPF	5.0	R0490200
1	Single-speed Motor & Hardware, SHPM	.75	R0479301
1	Single-speed Motor & Hardware, SHPM	1.0	R0479302
1	Single-speed Motor & Hardware, SHPM	1.5	R0479303
1	Single-speed Motor & Hardware, SHPM	2.0	R0479304
1	Single-speed Motor & Hardware, SHPM	2.5	R0479305
1	Two-speed Motor & Hardware, SHPM	1.5	R0479307
1	Two-speed Motor & Hardware, SHPM	2.0	R0479308
1	Two-speed Motor & Hardware, SHPM	2.5	R0479309
1	Single-speed Motor & Hardware, SHPF, 3 Phase	1.0	R0479101
1	Single-speed Motor & Hardware, SHPF, 3 Phase	1.5	R0479102
1	Single-speed Motor & Hardware, SHPF, 3 Phase	2.0	R0479103
1	Single-speed Motor & Hardware, SHPF, 3 Phase	3.0	R0479104
1	Two-speed Motor & Hardware, SHPF	1.0	R0445113
1	Two-speed Motor & Hardware, SHPF	1.5	R0445106
1	Two-speed Motor & Hardware, SHPF	2.0	R0445107
2	Backplate Kit w/Hardware, O-ring & Mech Seals, SHPF/SHPM	.50-3.0	R0445200
2	Backplate Kit w/Hardware, O-ring & Mech Seals, SHPF	5.0	R0445201
3	Impeller Replacement Kit, SHPF	.50	R0807204
3	Impeller Replacement Kit, SHPF	.75	R0807203
3	Impeller Replacement Kit, SHPF	1.0, 1.0-2	R0807202

Key No.	Description	Model No. (HP)	Order Part No.
3	Impeller Replacement Kit, SHPF	1.5, 1.5-2	R0807201
3	Impeller Replacement Kit, SHPF	2.0, 2.0-2	R0807200
3	Impeller Replacement Kit, SHPF	3.0	R0807205
3	Impeller Replacement Kit, SHPF	5.0	R0807207
3	Impeller Replacement Kit, SHPM	0.75	R0807204
3	Impeller Replacement Kit, SHPM	1.0	R0807203
3	Impeller Replacement Kit, SHPM	1.5	R0807202
3	Impeller Replacement Kit, SHPM	2.0, 2.0-2	R0807201
3	Impeller Replacement Kit, SHPM	2.5, 2.5-2	R0807200
3	Screw w/O-ring, Self-sealing	All	R0445302-06
4	Diffuser w/O-ring & Hardware	.50-3.0	R0445400
4	Diffuser w/O-ring & Hardware	5.0	R0445401
5	Mechanical Shaft Seal (1 Set) (Carbon and Ceramic)	All	R0479400
6	Body, Pump, SHPF/SHPM	All	R0445601
7	Motor Mounting Foot Assembly w/Screws, SHPF/SHPM	All	R0445700
8	Lid w/ Locking Ring & Seal	All	R0445800
9	Blue Pressure Test O-ring	All	R0479000
10	Pump Debris Filter Basket	All	R0445900
11	Drain Plug w/O-ring (Set of 2)	All	R0446000
12	Tail Piece (2" by 2½"), O-ring & Coupling Nut (Set of 2)	.50-2.5	R0446101
12	Tail Piece (2½" by 3") with O-ring and Coupling Nut (Set of 2)	3.0-5.0	R0446102
13	Lid Seal and Lid O-ring (Lid O-ring Not Shown)	All	R0446200
14	O-ring, Backplate	All	R0446300
15	O-ring, Tail Piece (Set of 2)	All	R0446400
16	Hardware, Diffuser/Impeller	.50-3.0	R0446500
16	Hardware, Diffuser/Impeller	5.0	R0446501
17	Backplate Bolts and Washers (Set of 8)	All	R0446600
18	Motor Bolts and Washers (Set of 4)	All	R0446700
19	Screws, Motor Mounting Foot	All	R0446800
20	SHPF5.0-3PH, TEFC Single-Speed Motor and Hardware	5.0 HP, 3-Phase	R0479105
21	SHPF5.0-3PH TEFC Motor Wiring Compartment, Fan Shroud Kit (Includes all mounting fastener screws)	5.0 HP, 3-Phase	R0895000



## 7.2 Exploded View

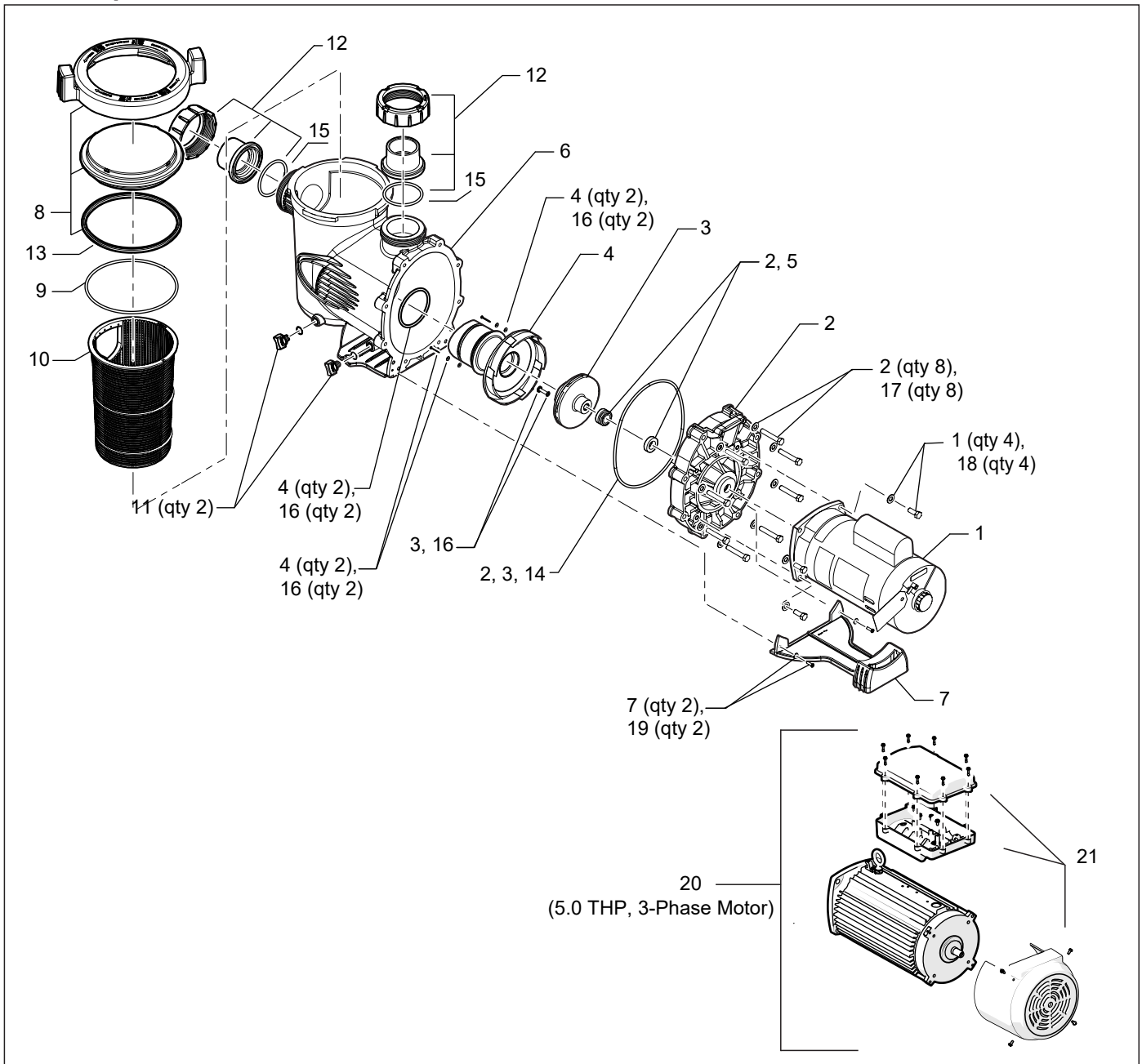


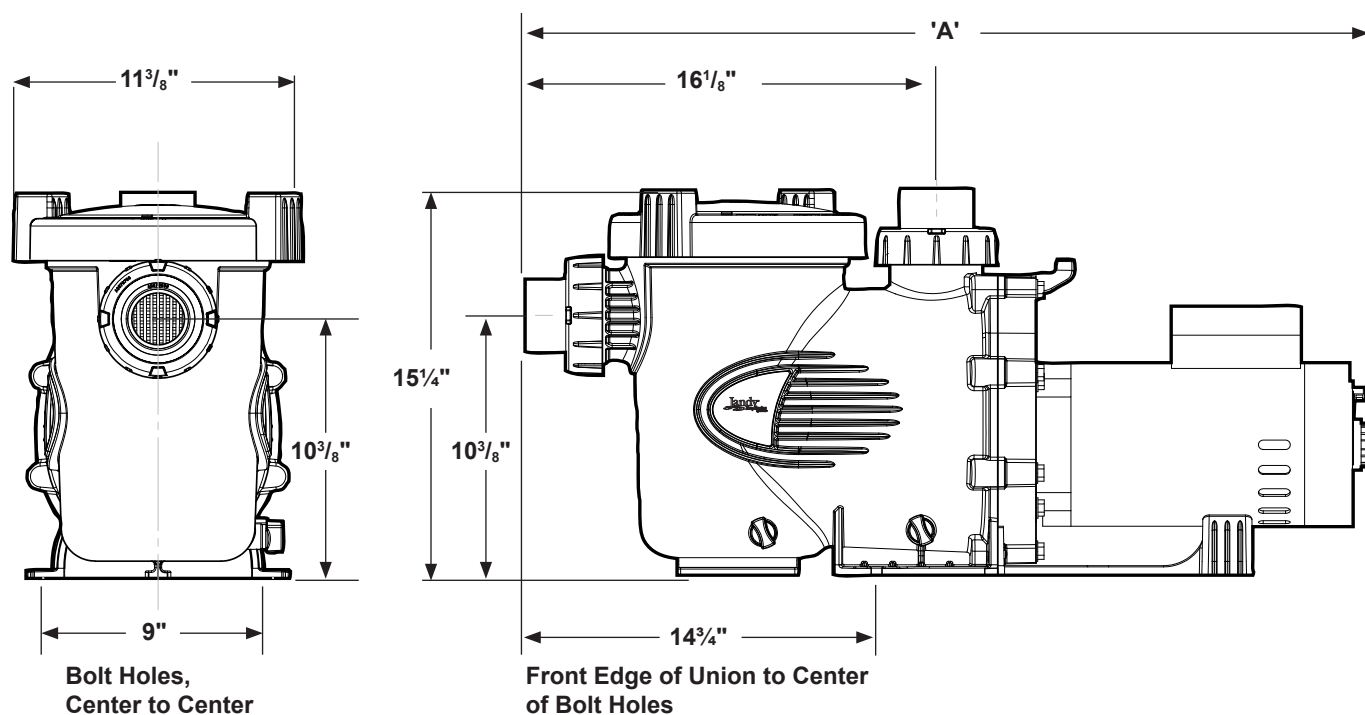
Figure 6. SHPF and SHPM Exploded View



**7.4.2 SHPM Pump Specifications**

Model No.	HP	Voltage	Amps	Pipe Size	Carton Weight	Overall Length 'A'
SHPM.75	.75	208-230/115	4.4-4.5/8.8	2-2½"	30 lbs.	31⅛"
SHPM1.0	1.0	208-230/115	6.0-5.6/11.2	2-2½"	43 lbs.	31⅞"
SHPM1.5	1.5	208-230/115	7.8-7.4/14.8	2-2½"	45 lbs.	32¼"
SHPM2.0	2.0	208-230	9.6-8.8	2-2½"	50 lbs.	32⅝"
SHPM2.5	2.5	208-230	11.0-10.0	2-2½"	57 lbs.	33⅛"
SHPM1.5-2	1.5	230	7.2/3.0	2-2½"	52 lbs.	32⅛"
SHPM2.0-2	2.0	230	10.0/3.5	2-2½"	57 lbs.	32⅝"
SHPM2.5-2	2.5	230	11.0/4.0	2-2½"	64 lbs.	33⅛"

**7.4.3 Pump Dimensions**



**NOTE** When installing pump, leave a minimum of two feet (2 ft) of clearance above the pump for removal of strainer basket.

**Zodiac Pool Systems LLC**

2882 Whiptail Loop # 100, Carlsbad, CA 92010

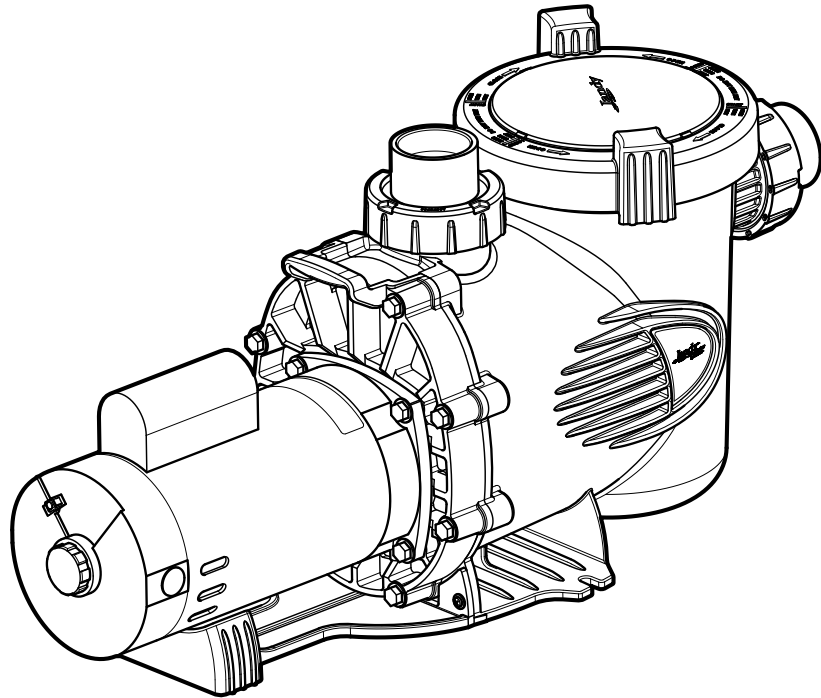
**Zodiac Pool Systems Canada, Inc.**

2-3365 Mainway, Burlington, ON L7M 1A6 Canada

USA | Jandy.com | 1.800.822.7933  
Canada | Jandy.ca | 1.888.647.4004



CONFORMS TO UL STD 1081  
CERTIFIED TO CSA STD C22.2 NO 108



## Pompes Jandy Stealth™ Modèles SHPF et SHPM

### ⚠ AVERTISSEMENT

**POUR VOTRE SÉCURITÉ**, ce produit doit être installé et entretenu par un entrepreneur qualifié en équipements de piscine disposant d'un permis délivré par la juridiction dans laquelle le produit est installé lorsque de telles exigences étatiques ou locales existent. L'agent d'entretien doit être un professionnel disposant de suffisamment d'expérience dans l'installation et l'entretien de l'équipement de piscine, afin de s'assurer que toutes les directives du présent manuel sont scrupuleusement respectées. Avant d'installer ce produit, lire et suivre tous les avertissements et toutes les directives qui accompagnent ce produit. Tout non-respect des instructions d'avertissement peut entraîner des dommages matériels, des blessures corporelles ou même le décès. Une mauvaise installation ou utilisation annule la garantie.



Une mauvaise installation ou utilisation peut engendrer un danger électrique pouvant entraîner des dommages matériels ou des blessures graves ou le décès.

**À L'ATTENTION DE L'INSTALLATEUR** – Le présent manuel contient des informations importantes sur l'installation, le fonctionnement et l'utilisation sécuritaire de ce produit. Ces informations doivent être transmises au propriétaire ou à l'utilisateur de cet équipement.

## Table des matières

<b>Section 1. CONSIGNES DE SÉCURITÉ IMPORTANTES.....</b>	<b>23</b>	<b>Section 4. Fonctionnement.....</b>	<b>32</b>
1.1 Consignes de sécurité.....	23	4.1 Mise en service .....	32
1.2 Directives pour la prévention de l'effet ventouse d'une pompe de piscine.....	25	<b>Section 5. Service et entretien .....</b>	<b>33</b>
<b>Section 2. Description générale .....</b>	<b>26</b>	5.1 Entretien courant.....	33
2.1 Introduction.....	26	5.2 Préparation de la pompe pour l'hiver .....	33
2.2 Description .....	26	<b>Section 6. Dépannage .....</b>	<b>34</b>
<b>Section 3. Installation.....</b>	<b>26</b>	6.1 Dépannage.....	34
3.1 Plomberie .....	26	<b>Section 7. Pièces, spécifications du produit et données techniques ...</b>	<b>35</b>
3.2 Installation électrique.....	28	7.1 Liste des pièces de rechange.....	35
3.3 Essai de pression .....	30	7.3 Courbes de rendement de pompe SHPF et SHPM.....	38
		7.4 Spécifications physiques et opérationnelles...	38

### ENREGISTREMENT DES INFORMATIONS SUR L'ÉQUIPEMENT

DATE DE L'INSTALLATION \_\_\_\_\_

COORDONNÉES DE L'INSTALLATEUR \_\_\_\_\_

PREMIÈRE LECTURE DU MANOMÈTRE (AVEC FILTRE PROPRE) \_\_\_\_\_

MODÈLE DE LA POMPE \_\_\_\_\_ HP (CV) \_\_\_\_\_

REMARQUES : \_\_\_\_\_

\_\_\_\_\_

\_\_\_\_\_

# Section 1. CONSIGNES DE SÉCURITÉ IMPORTANTES

## LIRE ET SUIVRE TOUTES LES DIRECTIVES

### 1.1 Consignes de sécurité

Tout travail en lien avec l'électricité doit être effectué par un électricien qualifié, et se conformer aux codes locaux, provinciaux et nationaux. Lors de l'installation et de l'utilisation de cet équipement électrique, les consignes de sécurité élémentaires doivent toujours être respectées, notamment les mises en garde suivantes :

#### AVERTISSEMENT

**RISQUE D'EFFET VENTOUSE QUI, S'IL N'EST PAS ÉVITÉ, PEUT PROVOQUER DES BLESSURES GRAVES OU LE DÉCÈS.** Ne pas bloquer l'aspiration de la pompe, ce qui pourrait provoquer des blessures graves ou le décès. Ne pas utiliser cette pompe pour les pataugeoires, les piscines peu profondes ou les spas disposant de drains au fond, à moins que la pompe ne soit connectée à au moins deux sorties d'aspiration fonctionnelles. Les ensembles de sorties d'aspiration (drain) et leurs couvercles respectifs doivent être certifiés conformes à la dernière édition publiée de la norme ANSI®/ASME® A112.19.8, ou sa norme ayant droit ANSI/APSP-16.

#### AVERTISSEMENT

Pour réduire les risques de blessures, ne pas laisser les enfants utiliser ce produit.

#### AVERTISSEMENT

Pour réduire les risques de dommages matériels ou de blessures, ne pas tenter de modifier la position de la valve du lavage à contre-courant (port multiple, glisser ou débit plein) lorsque la pompe fonctionne.

#### AVERTISSEMENT

Les pompes Jandy sont alimentées par un moteur électrique haute tension et doivent être installées par un électricien agréé ou qualifié ou un technicien d'entretien des piscines.

#### AVERTISSEMENT

**RISQUE DE CHOCS ÉLECTRIQUES, D'INCENDIE, DE BLESSURES CORPORELLES OU DE DÉCÈS (Pour toutes les unités installées en permanence et destinées à être utilisées sur des circuits de dérivation monophasés de 15 ou 20 de 120 à 240 V).** Raccorder uniquement à un circuit de dérivation qui est protégé par un disjoncteur de fuite à la terre (DDFT). Veuillez contacter un électricien qualifié si vous ne pouvez pas vérifier que le circuit est équipé d'un DDFT. Un tel DDFT doit être fourni par l'installateur et faire l'objet d'essais régulièrement. Pour tester le DDFT, appuyer sur le bouton de test. Le DDFT doit couper l'alimentation. Appuyer sur le bouton de remise en route. L'alimentation doit être rétablie. Si le DDFT ne fonctionne pas comme indiqué, c'est qu'il est défectueux. Si le DDFT coupe l'alimentation de la pompe sans que le bouton de test ait été enfoncé, cela indique la présence d'un courant de terre, signifiant un risque de décharge électrique. Ne pas utiliser la pompe. Débrancher la pompe et faire corriger le problème par un représentant de service qualifié avant toute utilisation.

En raison du risque potentiel d'incendie, de chocs électriques ou de blessures corporelles, les pompes Jandy doivent être installées conformément au National Electrical Code® (NEC®), aux codes électriques et de sécurité locaux, ainsi que selon la loi Occupational Safety and Health Act (OSHA®). Il est possible de commander des copies du NEC auprès de la National Fire Protection Association® (NFPA®) en ligne sur [www.nfpa.org](http://www.nfpa.org), en appelant le 617 770-3000 ou en contactant votre agence d'inspection du gouvernement.

#### AVERTISSEMENT

Un équipement mal installé peut faire défaut, causant de graves blessures ou dommages matériels.

#### AVERTISSEMENT

- Ne pas raccorder le système à un réseau municipal d'approvisionnement en eau non régulé ou à toute autre source externe d'eau sous pression produisant des pressions supérieures à 2,41 BAR (35 PSI).
- La présence d'air emprisonné dans le système peut faire sauter le couvercle du filtre et entraîner le décès, de graves blessures corporelles ou des dommages matériels. Veuillez vous assurer que tout l'air a quitté le système avant d'utiliser l'équipement.

**⚠ AVERTISSEMENT**

Pour réduire le risque de blessures graves ou de décès, la pompe ou le filtre ne doit pas être soumis à un essai de mise sous pression de la tuyauterie.

Les codes locaux peuvent exiger l'application d'un essai de mise sous pression au niveau de la tuyauterie de la piscine. Généralement, ces exigences ne sont pas conçues pour être appliquées à l'équipement de piscine, comme les filtres ou les pompes.

L'équipement de piscine Zodiac® est soumis à des tests de mise sous pression en usine.

Toutefois, si cet AVERTISSEMENT ne peut pas être respecté et que l'essai de mise sous pression du système de tuyauterie doit inclure le filtre ou la pompe, S'ASSURER DE RESPECTER LES CONSIGNES DE SÉCURITÉ SUIVANTES :

- Vérifier les serre-joints, les boulons, les couvercles, les anneaux de blocage et les accessoires du système pour s'assurer qu'ils sont correctement installés et fixés solidement avant d'effectuer un test.
- LIBÉRER TOUT L'AIR présent dans le système avant le test.
- La pression de l'eau pendant le test NE DOIT PAS DÉPASSER 2,41 BAR (35 PSI).
- La température de l'eau pendant le test NE DOIT PAS DÉPASSER 38 °C (100 °F).
- Limiter la durée du test à 24 heures. Après le test, vérifier visuellement le système pour s'assurer qu'il est prêt à fonctionner.

AVIS : Ces paramètres s'appliquent à l'équipement Zodiac uniquement. Pour les équipements autres que Zodiac, consulter le fabricant de l'équipement.

**⚠ AVERTISSEMENT**

Les déversements de produits chimiques et les émanations peuvent affaiblir l'équipement de piscine/spa. La corrosion peut provoquer la panne des filtres et d'autres équipements, entraînant ainsi de graves blessures ou des dommages matériels. Ne pas ranger les produits chimiques à proximité de votre équipement.

**⚠ MISE EN GARDE**

Ne pas démarrer la pompe à sec! Le fait de laisser fonctionner la pompe à sec pendant un certain temps provoquera de graves dommages et annulera la garantie.

Afin d'éviter une défaillance prématurée ou des dommages au moteur de la pompe, la pompe doit être protégée d'une exposition directe à l'eau provenant des gicleurs, d'un écoulement provenant des toits et du drainage, etc. Le non-respect de cette consigne peut entraîner une défaillance de la pompe et pourrait annuler la garantie.

**⚠ MISE EN GARDE**

Cette pompe est destinée aux piscines installées de façon permanente et peut également être utilisée dans les cuves thermales et les spas, lorsque cela est indiqué. Ne pas utiliser avec des piscines pouvant être entreposées. Une piscine installée de façon permanente est construite dans le sol, sur le sol ou dans un bâtiment, de telle manière qu'elle ne puisse pas être facilement démontée et rangée. Une piscine pouvant être rangée est construite pour qu'elle puisse être démontée facilement aux fins d'entreposage, puis remontée à son état initial.

**⚠ MISE EN GARDE**

Ne pas installer la pompe dans un boîtier extérieur ou sous les rebords d'une cuve thermique ou d'un spa. Celle-ci nécessite une ventilation adéquate pour maintenir une température ambiante inférieure à la température ambiante maximale figurant sur la plaque signalétique du moteur.

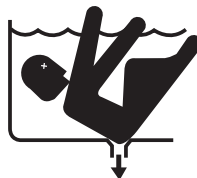
**CONSERVER CES DIRECTIVES**



## 1.2 Directives pour la prévention de l'effet ventouse d'une pompe de piscine.

### ⚠ MISE EN GARDE

Les pompes triphasées de la série SHPF utilisent des ensembles moteurs non protégés thermiquement. Un contrôleur de moteur homologué NRTL avec une protection contre la surcharge du moteur interne ou du moteur externe est nécessaire lors de l'installation finale de l'ensemble de la pompe. Les surcharges doivent être réglées à un maximum de 125 % du courant nominal à pleine charge de l'ensemble moteur de la pompe.



### ⚠ AVERTISSEMENT

**RISQUE D'ASPIRATION.** Peut provoquer une blessure grave ou le décès. Ne pas utiliser cette pompe pour les pataugeoires, les piscines peu profondes ou les spas disposant de drains au fond, à moins que la pompe ne soit connectée à au moins deux (2) sorties d'aspiration fonctionnelles.

### ⚠ AVERTISSEMENT

L'aspiration générée par la pompe est dangereuse et peut coincer et noyer ou éventrer les baigneurs. Ne pas utiliser ni faire fonctionner des piscines, spas ou cuves thermales si le couvercle de la sortie d'aspiration est manquant, brisé ou desserré. Les directives suivantes fournissent de l'information sur l'installation de la pompe qui minimise les risques de blessures chez les utilisateurs de piscines, de spas ou de cuves thermales :

**Protection contre le piégeage** – Le système d'aspiration de la pompe doit protéger contre les risques de piégeage par aspiration.

**Couvercles de sortie d'aspiration** – Toutes les sorties d'aspiration doivent être correctement installées, avec les couvercles vissés en place. Tous les ensembles de sorties d'aspiration (drain) et leurs couvercles respectifs doivent être correctement entretenus. Les ensembles de sorties d'aspiration (drain) et leurs couvercles respectifs doivent être certifiés selon la dernière version publiée de ANSI®/ASME® A112.19.8 ou sa norme ayant droit, ANSI/APSP-16. Ils doivent être remplacés s'ils sont fissurés, brisés ou manquants.

**Nombre de sorties d'aspiration par pompe** – Fournir aux moins deux (2) drains principaux hydrauliquement équilibrés avec les couvercles, en tant que sorties d'aspiration pour chaque conduite d'aspiration de pompe. Les centres des drains principaux (sortie d'aspiration) sur n'importe quelle conduite d'aspiration doivent être situés à au moins 90 cm (3 pi) de distance, centre à centre. Voir la Figure 1.

Le système **doit** être construit pour inclure au moins deux (2) sorties d'aspiration (drains) raccordées à la pompe lorsqu'elle fonctionne. Cependant, si deux (2) drains principaux deviennent une seule conduite d'aspiration, celle-ci peut être dotée d'une valve qui verrouille les deux drains principaux de la pompe. Le système sera construit de manière à ne pas permettre un verrouillage séparé ou indépendant ni l'isolation de chaque drain. Voir la Figure 1. D'autres pompes peuvent être raccordées à une seule conduite d'aspiration tant que les exigences ci-dessus sont respectées.

**Vélocité de l'eau** – La vitesse maximale de l'eau dans l'ensemble de sortie d'aspiration et de son couvercle pour n'importe quelle sortie d'aspiration ne doit pas dépasser le débit de conception maximal de l'ensemble composé des raccords d'aspiration et de son couvercle. L'ensemble de sorties d'aspiration (drain) et son couvercle doivent être conformes à la dernière version de ANSI/ASME A112.19.8, la norme pour les raccords d'aspiration à utiliser dans les piscines, pataugeoires, spas et cuves thermales, ou son ayant droit, ANSI/APSP-16.

Si 100 % du débit de la pompe provient du système du drain principal, la vitesse maximale d'écoulement de l'eau dans le système hydraulique d'aspiration de la pompe doit être de six (6) pieds par seconde ou moins, même si un (1) drain principal (sortie d'aspiration) est complètement obstrué. Le débit dans le(s) drain(s) principal(aux) doit se conformer à la dernière version de ANSI/ASME A112.19.8 ou à son ayant droit, ANSI/APSP-16, la norme pour Raccords d'aspiration à utiliser dans les piscines, pataugeoires, spas et cuves thermales.

**Essais et certification** – Les ensembles de sorties d'aspiration (drain) et leurs couvercles respectifs doivent être testés par un laboratoire d'essais reconnu à l'échelle nationale et se conformer à la dernière édition publiée de ANSI/ASME A112.19.8 ou son ayant droit, ANSI/APSP-16, la norme pour Raccords d'aspiration à utiliser dans les piscines, pataugeoires, spas et cuves thermales.

**Raccords** – Les raccords limitent le débit; pour une meilleure efficacité, utiliser le moins de raccords possible (mais au moins deux (2) sorties d'aspiration).

Éviter les raccords qui pourraient emprisonner de l'air.

Les raccords d'aspiration pour piscine doivent se conformer aux normes de l'International Association of Plumbing and Mechanical Officials (IAPMO).

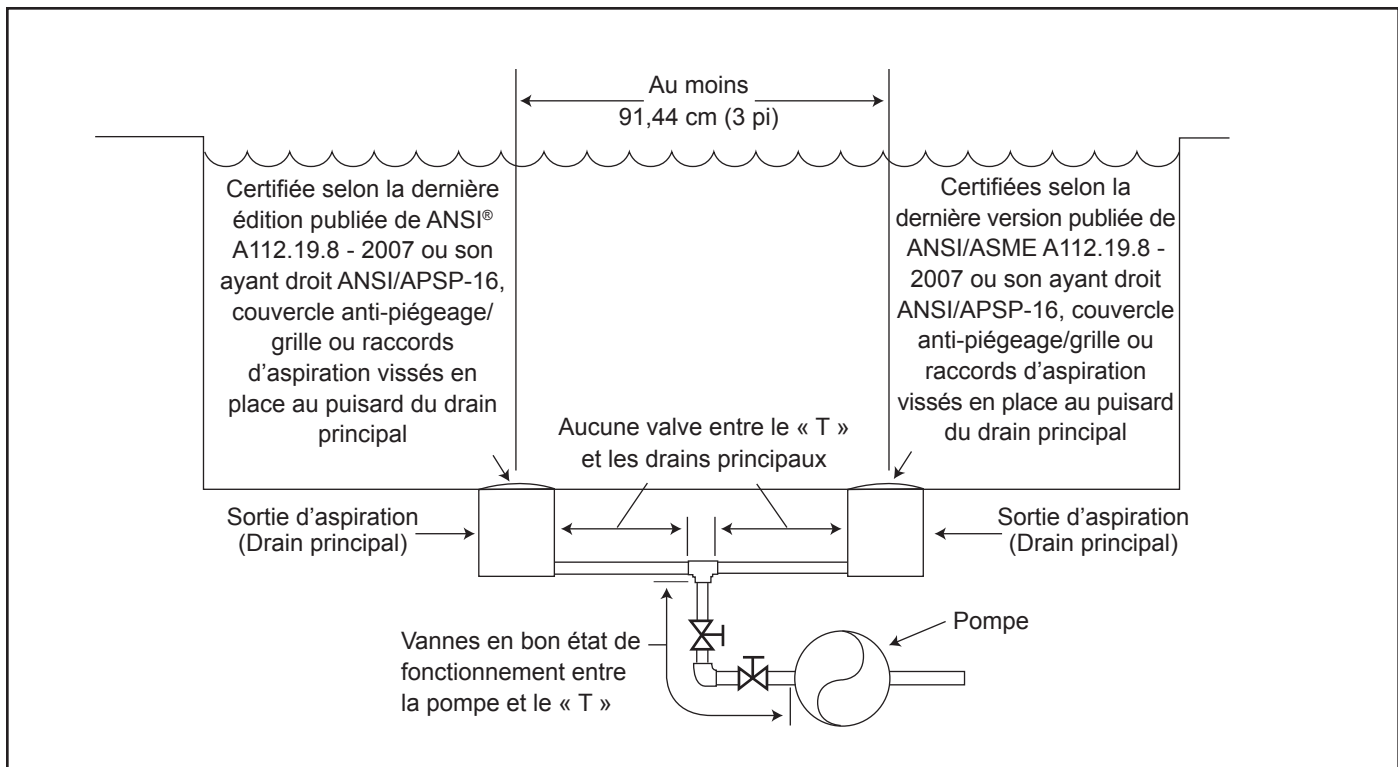


Figure 1. Nombre de sorties d'aspiration par pompe

## Section 2. Description générale

### 2.1 Introduction

Le présent manuel contient des informations pour l'installation, le fonctionnement et l'entretien adéquats des pompes Jandy Stealth (SHP). Les procédures indiquées dans ce manuel doivent être suivies avec précision. Pour obtenir des exemplaires de ce manuel, veuillez contacter Zodiac Pool Systems LLC au 800 822.7933. Pour l'adresse, veuillez vous reporter à la couverture arrière de ce manuel.

### 2.2 Description

Les pompes Jandy SHP sont conçues pour répondre aux besoins actuels des équipements de piscine à entraînement hydraulique les plus exigeants. Le boîtier de la pompe, la plaque arrière, le diffuseur, le réceptacle à cheveux et peluches (panier filtre à débris de la pompe) et la turbine de pompe sont tous composés de matériaux thermoplastiques de haute qualité. Ces matériaux ont été sélectionnés pour leur résistance mécanique et celle contre la corrosion.

La pompe est entraînée par un moteur électrique directement fixé à la turbine de pompe. Pendant que le moteur électrique est en train de tourner, la turbine de pompe est également obligée de tourner, ce qui force l'eau à circuler à travers la pompe. L'eau s'écoule à travers l'orifice d'entrée de la pompe, puis dans le panier-filtre. L'ensemble panier permet de pré-tamiser et piéger les grosses particules. L'eau pénètre ensuite au centre du boîtier de la pompe, passe par la turbine de pompe pour se rendre jusqu'au diffuseur, puis s'écoule par le port de décharge de la pompe.

## Section 3. Installation

### 3.1 Plomberie

#### 3.1.1 Préparation

1. Lors de la réception de la pompe, vérifier l'état de la boîte. Ouvrir la boîte et vérifier si la pompe comporte des dommages cachés, comme des fissures, déformations ou une base pliée. En cas de dommage, prendre contact avec l'expéditeur ou le distributeur où vous avez acheté la pompe.
2. Inspecter le contenu de la boîte et vérifier que toutes les pièces sont incluses. Voir la Section 7.1, Liste des pièces de rechange.

#### 3.1.2 Emplacement de la pompe

### ⚠ AVERTISSEMENT

Pour réduire le risque d'incendie, installer l'équipement de la piscine dans une zone où les feuilles et autres débris ne risquent pas de s'accumuler sur ou autour de l'équipement. Maintenir la zone libre de débris tels que du papier, des feuilles, des aiguilles de pin et autres matières combustibles.

1. Zodiac Pool Systems LLC recommande d'installer la pompe à 30 cm (1 pi) au-dessus du niveau de l'eau. La pompe ne doit pas être élevée à plus de quelques mètres au-dessus du niveau de l'eau de la piscine. L'installation d'un clapet antiretour est recommandée sur la conduite d'aspiration de la pompe.

**REMARQUE** Un meilleur amorçage automatique sera obtenu si la pompe est installée le plus près possible du niveau d'eau de la piscine.

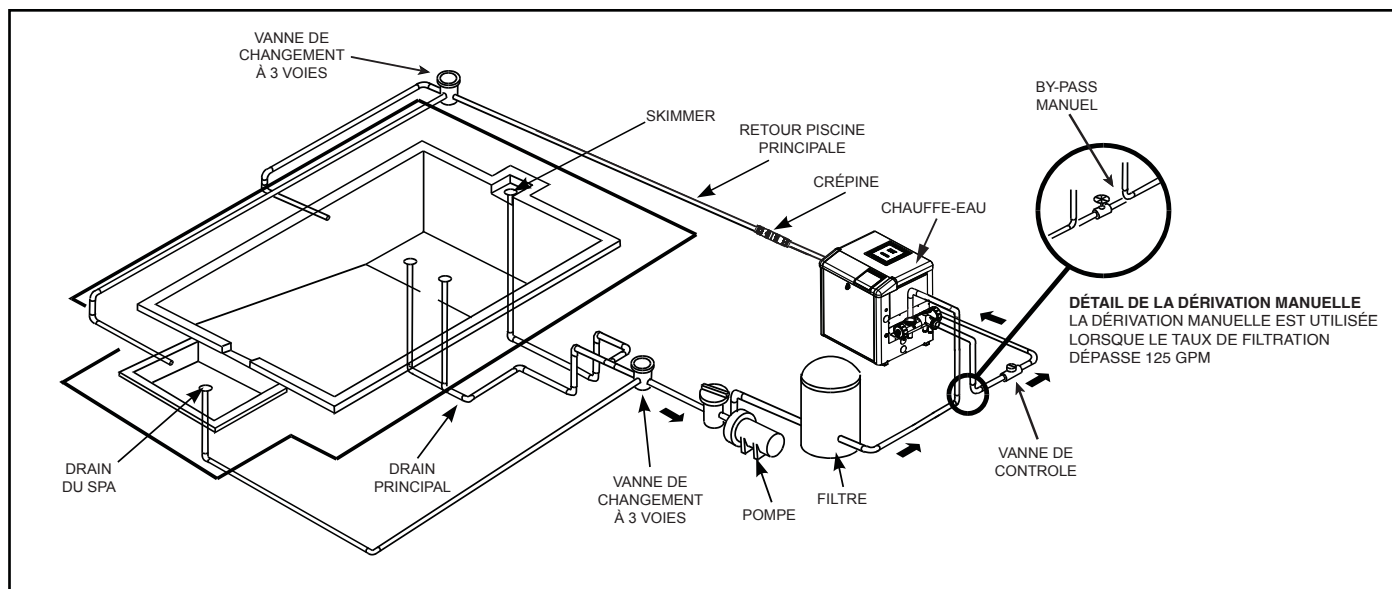


Figure 2. Installation de la tuyauterie typique

- Si la pompe doit être installée sous le niveau d'eau de la piscine, des vannes d'isolation doivent être installées sur les conduites d'aspiration et de retour, afin d'empêcher le reflux de l'eau de la piscine pendant les travaux d'entretien courants.

## **⚠ AVERTISSEMENT**

Certains dispositifs de sécurité contre l'effet de ventouse (SVRS) ne sont pas compatibles avec l'installation de clapets de retenue. Si la piscine est équipée d'un dispositif SVRS, assurez-vous de confirmer que celui-ci continuera de fonctionner en toute sécurité lors de l'installation de clapets de retenue.

- Installer la pompe, de manière à ce que tout moyen de déconnexion ou que les boîtes de jonction pour connexion de l'alimentation se trouvent à portée de vue de la pompe et au moins à 152 cm (5 pi) à l'horizontale du bord de la piscine ou du spa. Choisissez un emplacement qui minimisera les torsions dans la tuyauterie.

**REMARQUE** Au Canada, la distance minimale maintenue depuis le bord de la piscine ou du spa, comme indiqué ci-dessus, doit être de 3 mètres (10 pi) comme requis par le Code canadien de l'électricité (CEC, CSA, C22.1).

- La pompe doit être installée sur une surface solide, ferme et plane pour éviter tout risque d'affaissement. Ne pas utiliser de sable pour mettre la pompe à niveau, car le sable est facilement emporté par l'eau. Vérifier s'il existe d'autres exigences dans les codes locaux de construction. (p. ex., en Floride, les blocs d'équipement doivent être en béton et l'équipement doit être fixé sur le bloc.

**REMARQUE** Zodiac Pool Systems LLC recommande de boulonner la pompe directement à la fondation.

- La fondation de la pompe doit avoir une capacité de drainage suffisante pour éviter que le moteur ne se mouille. La pompe doit être protégée de la pluie et du soleil.

**REMARQUE** Protéger la pompe de l'exposition directe à l'eau provenant des gicleurs, des écoulements des toits et du drainage, etc. Le non-respect de cette consigne peut entraîner une défaillance de la pompe et peut également annuler la garantie.

- Une bonne ventilation est requise pour que la pompe puisse fonctionner normalement. Tous les moteurs produisent de la chaleur qui doit être éliminée en procurant une bonne ventilation.
- Fournir l'accès pour les services futurs en laissant un espace dégagé autour de la pompe. Laisser beaucoup d'espace au-dessus de la pompe pour enlever le couvercle et le panier pour le nettoyage.
- Si l'équipement est installé sous un abri, fournir un éclairage suffisant.

### 3.1.3 Grosseur de tuyau

**REMARQUE** Toutes les puissances en HP (CV) indiquées dans cette section s'appliquent aux pompes à pleine capacité nominale. Pour obtenir de l'aide avec les pompes à capacité nominale maximale, veuillez communiquer avec le service à la clientèle de Zodiac au 800 822.7933.

#### 3.1.3.1 Tuyau d'aspiration

Lorsque la pompe est située à 15,24 mètres (50 pi) de la piscine, la taille minimum recommandée du tuyau pour le côté aspiration de la pompe est de :

- 5,08 cm (2 po) pour 0,75 à 1,5 HP\* (CV)
- 6,35 cm (2½ po) pour 2,0 HP\* (CV)
- 7,62 cm (3 po) pour 3,0 HP\* (CV)
- 10,16 cm (4 po) pour 5,0 HP\* (CV)

\* HP (CV) désigne les pompes à pleine capacité nominale

### 3.1.3.2 Tuyau de refoulement

Lorsque la pompe est située à 15,24 mètres (50 pi) de la piscine, la taille minimum recommandée du tuyau pour le côté décharge de la pompe est de :

- 5,08 cm (2 po) pour 0,75 à 1,5 HP\* (CV)
- 6,35 cm (2½ po) pour 2,0 HP\* (CV)
- 7,62 cm (3 po) pour 3,0 HP\* (CV)
- 10,16 cm (4 po) pour 5,0 HP\* (CV)

\* HP (CV) désigne les pompes à pleine capacité nominale

**REMARQUE** Toutes les tailles de tuyaux peuvent résister aux pressions que la pompe générera, mais pas nécessairement au débit. Si le tuyau est trop petit pour la pompe ou si la pompe est installée au-dessus de l'eau, il est possible que le débit maximal en gallons par minute (gal/min) ne soit pas atteint. Si cela se produit, la pompe développera une poche d'air (cavitation) qui fera du bruit et la durée de vie de la pompe pourrait s'en retrouver réduite.

### 3.1.3.3 Recommandation d'installation

1. Si la pompe est installée sous le niveau d'eau de la piscine, des vannes d'isolation doivent être installées des deux côtés de la pompe afin de prévenir le reflux de l'eau de la piscine pendant les travaux d'entretien courants.
2. Pour aider à prévenir les difficultés d'amorçage, installer le tuyau d'aspiration sans points hauts (au-dessus de l'entrée de la pompe; des U inversés, pour la plomberie) qui pourraient emprisonner de l'air. Pour des installations d'équipement, jusqu'à 30,48 mètres (100 pi) de l'eau, se reporter au diagramme des grosseurs de tuyau dans le Tableau 1. Pour des installations d'équipement de plus de 30,48 mètres (100 pi) de l'eau, la grosseur de tuyau recommandée doit passer à la grosseur suivante.

**Tableau 1. Tableau de grosseur de tuyau pour cédule 40 en PVC**

Grosseur des tuyaux	Débit d'aspiration maximum (1,83 m/s - 6 pi/s)	Débit d'évacuation maximum (2,44 m/s - 8 pi/s)
3,81 cm (1½ po)	37 GPM (140 LPM)	50 GPM (189 LPM)
5,08 cm (2 po)	62 GPM (235 LPM)	85 GPM (322 LPM)
6,35 cm (2½ po)	88 GPM (333 LPM)	120 GPM (454 LPM)
7,62 cm (3 po)	136 GPM (515 LPM)	184 GPM (697 LPM)
10,16 cm (4 po)	234 GPM (886 LPM)	313 GPM (1185 LPM)

3. Les pompes SHP sont livrées avec des raccords sur les deux ports d'aspiration et de décharge. Cette caractéristique simplifie l'installation et l'entretien, éliminant les risques de fuites aux adaptateurs filetés.
4. La pompe SHP doit être connectée à au moins deux (2) drains principaux équilibrés hydrauliquement (sorties d'aspiration), pour chaque conduite d'aspiration de la pompe de la piscine. Chaque ensemble de drains (sorties d'aspiration) doit avoir des couvercles et doit être certifié selon la dernière édition publiée de ANSI®/ASME® A112.19.8 ou son ayant droit, ANSI/APSP-16. Les sorties d'aspiration des drains principaux doivent

être à une distance d'au moins 0,92 mètre (3 pi) ou à différents plans. Les sorties d'aspiration peuvent être un drain et une crépine, deux (2) drains, deux (2) crépines ou une crépine avec une conduite égalisatrice installée. Vérifier les codes locaux pour une des exigences adéquates relatives à l'installation.

**REMARQUE** Pour éviter qu'il y ait piégeage, le système doit être construit de manière à ce qu'il ne puisse pas fonctionner lorsque la pompe tire de l'eau depuis un (1) seul drain principal. Au moins deux (2) drains principaux **doivent** être connectés à la pompe lorsqu'elle est en fonctionnement. Cependant, si deux (2) drains principaux deviennent une seule conduite d'aspiration, celle-ci peut être dotée d'une valve qui verrouille les deux drains principaux de la pompe.

5. La tuyauterie doit être bien soutenue et non forcée ensemble où elle pourrait subir une contrainte constante.
6. Toujours utiliser des valves de la bonne grosseur. Les valves de dérivation et les vannes à boule de Jandy disposent généralement des meilleures capacités de débit.
7. Utiliser le moins de raccords possible. Chaque raccord additionnel a pour effet d'éloigner l'équipement de l'eau.

**REMARQUE** Si plus de 10 raccords d'aspiration sont nécessaires, la grosseur du tuyau doit être augmentée.

8. S'il s'agit d'une nouvelle installation, il faut procéder à un essai de pression conformément aux codes locaux. Voir la *Section 3.3. Essai de pression*.

## 3.2 Installation électrique

### 3.2.1 Vérification de la tension

La bonne tension, comme indiqué sur la plaque signalétique de la pompe, est nécessaire pour une bonne performance et une longue durée de vie du moteur. Une mauvaise tension diminuera la capacité de performance de la pompe et pourrait provoquer une surchauffe, réduire la durée du moteur et entraîner des coûts électriques plus élevés.

L'installateur électrique est responsable de fournir à la pompe la tension de fonctionnement indiquée sur la plaque signalétique en s'assurant de la taille du circuit et du câblage pour cette application précise.

Le National Electrical Code® (NEC®, NFPA-70®) exige que toutes les pompes de piscine installées en permanence et destinées à être utilisées sur des circuits de dérivation monophasés de 15 ou 20 ampères, de 120 à 240 volts, soient protégées par un disjoncteur de fuite à la terre (DDFT). Par conséquent, l'installateur électrique est également responsable de s'assurer que le circuit de la pompe devra s'y conformer ainsi qu'à toutes les autres exigences du National Electrical Code (NEC) et autres codes d'installation en vigueur.

### MISE EN GARDE

Tout défaut de fournir une tension selon la plaque signalétique (dans les 10 %) pendant l'opération entraînera la surchauffe du moteur et annulera la garantie.

### 3.2.2 Métallisation et mise à la terre

- En plus d'être correctement mis à la terre comme décrit ci-dessous dans la section 3.2.3, et conformément aux exigences du National Electrical Code (NEC) ou au Canada le Code Canadien de l'électricité (CCE), le moteur de la pompe doit être relié aux pièces métalliques de la piscine, du spa ou de la cuve thermique et à tous les composants et équipements électriques avec le système de circulation d'eau de la piscine ou du spa.
- Cette liaison doit être réalisée en utilisant un conducteur en cuivre plein, AWG n° 8 ou plus gros. Au Canada, il faut utiliser du AWG n° 6 ou plus gros. Relier le moteur en utilisant la languette de liaison externe fournie sur le cadre du moteur.

Le National Electrical Code® (NEC®) requiert la mise à la terre de la piscine. Lorsqu'aucun(e) équipement, structure ou pièce de la piscine mis(e) à la terre n'est en connexion directe avec l'eau de la piscine, l'eau de la piscine devra être en contact direct avec une surface conductrice approuvée résistante à la corrosion qui n'expose pas moins de 5 800 mm<sup>2</sup> (9 po<sup>2</sup>) de la surface de l'eau de la piscine en tout temps. La surface conductrice devra être située à un endroit où celle-ci n'est pas exposée à des dommages physiques ou à des délogements au cours des activités courantes en piscine, et devra être mise à la terre conformément aux exigences en matière de mise à la terre du NEC Article 680. Se reporter aux codes appliqués localement pour toute exigence supplémentaire en matière de mise à la terre.

DIMENSIONS MINIMALES RECOMMANDÉES DES FILS POUR LES POMPES SHP* (ALIMENTATION UNE PHASE)										
Distance depuis les sous-panneaux			0-50 pi		50-100 pi		100-150 pi		150-200 pi	
Modèle de pompe	Inverse : Temps du disjoncteur ou ampères du fusible de branchement Classe : CC, G, H, J, K, RK ou T		Tension		Tension		Tension		Tension	
	208 à 230 V.c.a	115 V.c.a	208 à 230 V.c.a	115 V.c.a	208 à 230 V.c.a	115 V.c.a	208 à 230 V.c.a	115 V.c.a	208 à 230 V.c.a	115 V.c.a
SHPF.50 / SHPM.75	15 A	15 A	14	12	12	8	10	6	8	6
SHPF.75 / SHPM1.0	15 A	15 A	14	12	12	8	10	6	8	6
SHPF1.0 / SHPM1.5	15 A	20A	12	10	10	8	8	6	6	4
SHPF1.5 / SHPM2.0	15 A	S.O.	12	S.O.	10	S.O.	8	S.O.	6	S.O.
SHPF2.0 / SHPM2.5	15 A	S.O.	12	S.O.	8	S.O.	6	S.O.	6	S.O.
SHPF3.0	20A	S.O.	10	S.O.	8	S.O.	6	S.O.	4	S.O.
SHPF5.0	25A	S.O.	10	S.O.	6	S.O.	4	S.O.	4	S.O.
SHPF1.0-2 **	15 A	S.O.	12	S.O.	10	S.O.	8	S.O.	6	S.O.
SHPF1.5-2 **	15 A	S.O.	12	S.O.	10	S.O.	8	S.O.	6	S.O.
SHPF2.0-2 **	15 A	S.O.	12	S.O.	8	S.O.	6	S.O.	6	S.O.
SHPM1.5-2 **	15 A	S.O.	12	S.O.	10	S.O.	8	S.O.	6	S.O.
SHPM2.0-2 **	15 A	S.O.	12	S.O.	10	S.O.	8	S.O.	6	S.O.
SHPM2.5-2 **	15 A	S.O.	12	S.O.	8	S.O.	6	S.O.	6	S.O.

\* Requiert trois (3) conducteurs en cuivre dans une conduite enfouie et une perte de tension maximale de 3 % dans un circuit de branchement. Tous les codes du National Electrical Code® (NEC®) et les codes locaux doivent être respectés. Le tableau illustre la dimension de fil minimale et les recommandations pour le fusible de branchement dans une installation standard par NEC.

\*\* Les pompes à deux vitesses ne sont pas conçues pour une utilisation avec du courant 208 V c.a.

DIMENSIONS MINIMALES RECOMMANDÉES DES FILS POUR LES POMPES SHP* (ALIMENTATION TRIPHASÉE)										
Distance depuis les sous-panneaux			0-50 pi		50-100 pi		100-150 pi		150-200 pi	
Modèle de pompe	Inverse : Temps du disjoncteur ou ampères du fusible de branchement Classe : CC, G, H, J, K, RK ou T		Tension		Tension		Tension		Tension	
	460 V.c.a	115 V.c.a	460 V.c.a	208 à 230 V.c.a	460 V.c.a	208 à 230 V.c.a	460 V.c.a	208 à 230 V.c.a	460 V.c.a	208 à 230 V.c.a
SHPF1.0-3HP (CV)	15 A	15 A	14	12	12	12	10	10	8	8
SHPF1.5-3HP (CV)	15 A	15 A	12	12	10	10	8	8	6	6
SHPF2.0-3HP (CV)	15 A	15 A	12	12	10	10	8	8	6	6
SHPF3.0-3HP (CV)	15 A	15 A	12	12	8	8	6	6	6	6
SHPF5.0-3HP (CV)	15 A	20A	10	10	6	6	4	4	4	4

\* Requiert quatre (4) conducteurs en cuivre dans une conduite enfouie et une perte de tension maximale de 3 % dans un circuit de branchement. Tous les codes du National Electrical Code® (NEC®) et les codes locaux doivent être respectés. Le tableau illustre la dimension de fil minimale et les recommandations pour le fusible de branchement dans une installation standard par NEC.

Tableau 2. Dimensions minimales de fil recommandées

## ⚠ AVERTISSEMENT

Pour éviter tout risque de dommages matériels ou de blessures corporelles graves ou le décès, toujours débrancher la source d'alimentation avant de travailler sur un moteur ou sur sa charge connectée.

## ⚠ AVERTISSEMENT

Pour éviter tout risque de dommages matériels ou de blessures corporelles graves ou le décès, s'assurer que le commutateur de commande ou l'horloge est installé(e) dans un endroit accessible, afin qu'en cas de défaillance de l'équipement ou d'un raccord de plomberie desserré, l'équipement puisse être éteint. Cet endroit ne doit pas être dans la même zone que la pompe de la piscine, le filtre et autres équipements.

## ⚠ AVERTISSEMENT

La pompe doit être connectée de manière permanente à un circuit électrique dédié. Aucun autres équipement, éclairage, appareil ou prise ne peuvent être connectés au circuit de la pompe, sauf pour les appareils qui doivent pouvoir fonctionner simultanément avec la pompe, comme un dispositif de chloration ou un chauffage.

### 3.2.3 Câblage électrique

## ⚠ AVERTISSEMENT

Pour éviter tout risque de dommages matériels ou de blessures corporelles graves ou le décès, toujours mettre à la terre avant de brancher sur une source d'alimentation électrique.

1. Le moteur de la pompe doit être mis à la terre de façon sûre et adéquate en utilisant la vis verte fournie. Mettre à la terre avant de connecter à une alimentation électrique. **Ne pas mettre à la terre, lorsque connecté à une conduite d'alimentation en gaz.**
2. La grosseur du fil doit être adéquate pour minimiser la chute de tension pendant le démarrage et le fonctionnement de la pompe. Voir le tableau 2 pour les tailles de fil recommandées.
3. Isoler soigneusement toutes les connexions pour prévenir les mises à la terre ou les courts-circuits. Les arêtes vives sur les bornes nécessitent une protection supplémentaire. Pour éviter que les écrous ne se desserrent, ceux-ci devront être collés à l'aide d'un ruban isolant (UL, ETL, CSA) approprié. Pour la sécurité et pour empêcher l'entrée de contaminants, réinstaller tous les couvercles de boîtes de conduit et de bornes. **Ne pas forcer les connexions dans la boîte de conduit.**

4. Pour configurer le câblage interne du moteur de la pompe pour la tension appropriée, se reporter au schéma sur plaque signalétique du moteur.
5. Pour les moteurs triphasés, vérifier que le sens de rotation du moteur correspond à la flèche de direction de la pompe. Le non-respect de cette consigne peut entraîner une défaillance de la pompe et pourrait également annuler la garantie.

### 3.3 Essai de pression

Tous les modèles de pompes SHP sont équipés d'un joint torique jetable supplémentaire pour les essais de pression. Il s'agit du joint torique bleu pour les essais de pression. Voir les Figures 3 et 4.

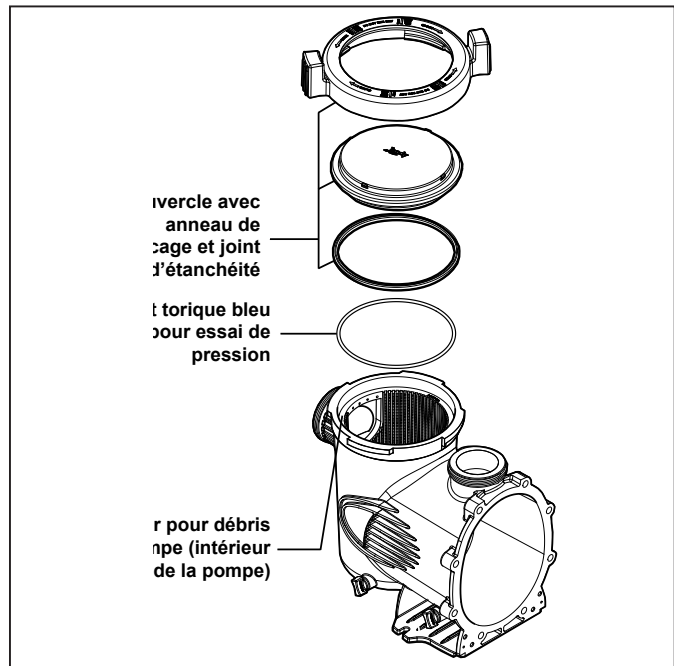


Figure 3. Vue éclatée de la pompe

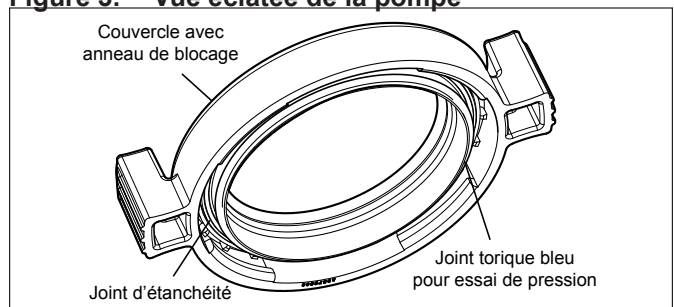


Figure 4. Joint torique bleu pour essai de pression et assemblage pour couvercle

## ⚠ MISE EN GARDE

Ne pas ouvrir le couvercle de la pompe avant l'essai de pression, puisque le joint torique bleu pour essai de pression pourrait tomber. Si cela se produit, vous devrez peut-être le remplacer.

Si vous n'avez pas ouvert le couvercle de la pompe, passez à la Section 3.3.2, *Effectuer un essai de pression.*

### 3.3.1 Remplacer le joint torique bleu pour essai de pression si nécessaire

Si vous ouvrez le couvercle de la pompe **avant** d'effectuer l'essai de pression, le joint torique bleu peut tomber. Si cela se produit, vous devrez le remettre en place sur le couvercle avant de procéder à l'essai de pression.

Il y a un risque de détérioration du joint torique bleu lors de la réinstallation. Si vous l'endommagez en essayant de le réinstaller, vous devrez commander un nouveau joint torique bleu pour essai de pression (R0479000) avant de commencer à effectuer l'essai de pression.

Ces instructions décrivent les procédures à suivre pour le remplacement, l'utilisation et l'élimination du joint torique bleu.

**Ces directives doivent être suivies à la lettre. Lire toutes les directives avant de commencer la procédure d'installation.**

#### 3.3.1.1 Retirer le couvercle de la pompe

1. S'assurer que la pompe est éteinte.
2. S'assurer que le commutateur au coupe-circuit qui alimente le moteur de la pompe est hors tension.

### ⚠ AVERTISSEMENT

Éteindre la pompe et le disjoncteur principal du circuit électrique de la pompe avant de lancer la procédure. Le non-respect de cette règle peut provoquer un risque de choc entraînant des blessures graves ou le décès.

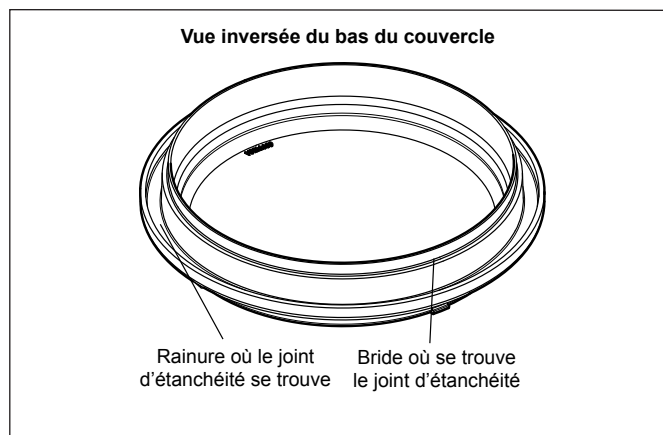
### ⚠ AVERTISSEMENT

En raison du risque potentiel d'incendie, de chocs électriques ou de blessures, les pompes Jandy doivent être installées conformément au National Electrical Code® (NEC®) aux États-Unis ou au Canada le Code canadien de l'électricité (CEC®). Tous les codes locaux applicables doivent également être respectés. Le NEC peut être obtenu en contactant le National Fire Protection Association® (NFPA®) au 1 800 344-3555 ou 1 617 770-3000.

3. S'assurer que toutes les valves d'isolation nécessaires sont fermées pour empêcher l'eau de la piscine d'atteindre la pompe.
4. En suivant les repères sur l'anneau de blocage, tourner la bague dans le sens inverse des aiguilles d'une montre, jusqu'à ce que les repères de démarrage (START) s'alignent avec les ports.
5. Retirer délicatement l'anneau de blocage.

#### 3.3.1.2 Remplacement du joint torique bleu

1. Retourner le couvercle avec l'anneau de blocage et le mettre sur une surface stable.
2. Placez le joint torique bleu sur la bride située à 6,35 mm (1/4 po) du bas du couvercle. Voir la Figure 5.



**Figure 5. Mise en place du joint torique bleu pour essai de pression**

3. Veuillez vous assurer que le joint torique est adéquatement installé. Il est plus facile de « placer » le joint torique sur la bride que de le « rouler ». Cela l'empêche de rouler.

**REMARQUE** Le joint torique bleu se trouve à environ 6,35 mm (1/4 po) du joint d'étanchéité. Voir la Figure 5.

4. Installer le couvercle avec précaution, en s'assurant que le joint torique bleu pour essai de pression se trouve dans le boîtier sans se « coincer » ou « rouler ».
5. En suivant les repères sur l'anneau de blocage, aligner les repères de démarrage « START » avec les ports et tourner dans le sens inverse des aiguilles d'une montre, jusqu'à ce que les repères de verrouillage « LOCKED » s'alignent avec les ports. *Ne pas serrer au-delà du repère de verrouillage « LOCKED ».*

#### 3.3.1.3 Effectuer un test de pression

### ⚠ AVERTISSEMENT

Lors de l'essai sous pression d'un système avec eau, l'air est souvent emprisonné dans le système pendant le processus de remplissage. Cet air se comprime lorsque le système est sous pression. Si le système fait défaut, cet air emprisonné peut projeter des débris avec une grande vitesse et blesser. Il faut prendre toutes les mesures possibles pour éliminer l'air emprisonné, y compris l'ouverture de la vanne de purge sur le filtre et le desserrage du couvercle du panier de la pompe sur la pompe du filtre pendant le remplissage de la pompe.

### ⚠ AVERTISSEMENT

La présence d'air emprisonné dans le système peut faire sauter le couvercle du filtre et entraîner le décès, de graves blessures corporelles ou des dommages matériels. S'assurer que tout l'air est adéquatement purgé du système avant d'utiliser l'équipement. **NE PAS UTILISER DE L'AIR COMPRIMÉ POUR FAIRE UN ESSAI DE PRESSION NI POUR VÉRIFIER LA PRÉSENCE DE FUITES.**

## AVERTISSEMENT

Lors d'un essai de pression du système avec de l'eau, il est très important de s'assurer que le couvercle du panier de la pompe sur la pompe du filtre est entièrement fixé.

## AVERTISSEMENT

Ne pas effectuer un essai de pression au-delà de 2,41 BAR (35 PSI). L'essai de pression doit être exécuté par un spécialiste en équipements de piscine. L'équipement de circulation qui n'est pas correctement testé risque de faire défaillance, pouvant entraîner de graves blessures ou des dommages matériels.

1. Remplir le système d'eau, en prenant soin d'éliminer l'air emprisonné.
2. Mettre le système sous pression avec de l'eau, pas plus de 2,41 BAR (35 PSI).
3. Fermer la valve pour emprisonner l'eau sous pression dans le système.
4. Vérifier si le système présente des fuites ou une baisse de pression.
5. S'il y a des fuites au couvercle, répéter l'étape 1 à 3. Pour obtenir le soutien technique, composer le 800 822-7933.
6. Jeter le joint torique bleu pour essai de pression après avoir réussi l'essai.

## Section 4. Fonctionnement

### 4.1 Mise en service

## MISE EN GARDE

Ne jamais utiliser la pompe sans eau. Faire fonctionner la pompe « à sec » pendant un certain temps peut causer de graves dommages à la pompe et au moteur, et pourrait annuler la garantie.

Lors d'une installation de piscine neuve, veiller à ce que toute la tuyauterie soit libre de débris de construction et qu'elle ait été adéquatement testée sous pression. Le filtre devrait être vérifié pour une installation adéquate, en vérifiant que toutes les connexions et les colliers de serrage sont bien fixés conformément aux recommandations du fabricant.

## AVERTISSEMENT

Pour éviter tout risque de dommages matériels ou de blessures corporelles graves ou le décès, vérifier que l'alimentation est coupée avant de commencer la procédure.

1. Relâcher toute la pression du système et ouvrir le clapet de décharge de pression du filtre.
2. Si la pompe est située sous le niveau d'eau de la piscine, ouvrir le clapet de décharge de pression du filtre permettra d'amorcer la pompe avec de l'eau.
3. Si la pompe est située au-dessus du niveau d'eau de la piscine, retirer le couvercle et remplir le préfiltre d'eau avant de démarrer la pompe.
4. Avant de replacer le couvercle, vérifier pour la présence de débris autour du joint torique du couvercle. La présence de débris autour du joint torique dans le couvercle provoquera une fuite d'air dans le système et rendra difficile l'amorçage de la pompe.
5. Serrer le couvercle à la main pour assurer une bonne étanchéité. Ne pas utiliser des outils pour serrer le couvercle; serrer uniquement à la main. S'assurer que toutes les valves soient ouvertes et que les raccords soient serrés.
6. Mettre la pompe sous tension. Puis mettre la pompe en marche.
7. Pour les moteurs triphasés, vérifier que le sens de rotation du moteur correspond à la flèche de direction de la pompe. Le non-respect de cette consigne peut entraîner une défaillance de la pompe et pourrait également annuler la garantie.
8. Lorsqu'il n'y a plus d'air dans le filtre, fermer le clapet de décharge de pression.
9. La pompe devrait s'amorcer. Le temps qu'il faut pour amorcer dépendra de l'élévation et de la longueur du tuyau utilisé sur le tuyau d'alimentation d'aspiration. Voir la *section 3.1.3.3* pour l'élévation et la taille adéquate du tuyau.
10. Si la pompe ne s'amorce pas et que toutes les instructions ont été respectées, vérifier s'il y a une fuite d'aspiration et répéter les étapes 2 à 7.



## Section 5. Service et entretien

### 5.1 Entretien courant

Inspecter s'il y a des débris dans le panier de la pompe en regardant à travers le couvercle transparent de la pompe. Retirer tous les débris, car à mesure qu'ils s'accumulent, ils bloquent le débit de l'eau dans la pompe. Maintenir le panier propre pour améliorer le rendement de la pompe.

1. Couper l'alimentation à la pompe. Si la pompe se trouve sous le niveau de l'eau, fermer les valves d'isolation sur les côtés aspiration et décharge de la pompe pour empêcher le refoulement de l'eau.
2. Tourner l'anneau de blocage du couvercle dans le sens inverse des aiguilles d'une montre, jusqu'à ce que le mot « START » (démarrage) soit aligné avec les ports. (Vous pouvez utiliser un outil de levier pour ouvrir le couvercle, mais **jamais pour serrer le couvercle** lors de sa fermeture.) Délicatement, retirer le couvercle.

#### MISE EN GARDE

Un panier mal aligné ne permettra pas de poser correctement le couvercle, provoquant une fuite d'air, qui pourrait entraîner des dommages à la pompe.

3. Sortir le panier de la pompe.
4. Jeter les débris et soigneusement nettoyer le panier, en s'assurant que tous les trous sont ouverts. En utilisant le boyau d'arrosage, asperger le panier depuis l'extérieur pour aider à dégager les trous. Utiliser vos mains pour enlever les débris restants.
5. Reposer le panier dans la pompe en alignant l'ouverture avec le tuyau d'aspiration. S'il est bien aligné, le panier descendra facilement en place. **Ne pas le forcer en place.**
6. Avant de remettre le couvercle, vérifier pour la présence de débris autour du joint torique du couvercle, car ceci provoquera des fuites d'air dans le système. Nettoyer le joint torique du couvercle et le poser sur le couvercle.
7. Serrer le couvercle à la main pour assurer une bonne étanchéité. **Ne pas utiliser des outils pour serrer le couvercle; serrer uniquement à la main.**
8. Vérifier que toutes les valves sont de nouveau à la bonne position pour une opération normale.
9. Ouvrir le clapet de décharge de pression sur le filtre et veiller à ce qu'il soit propre et prêt à fonctionner.
10. Mettre la pompe sous tension. Lorsque l'air a été évacué du filtre, fermer le clapet de décharge de pression.

### 5.2 Préparation de la pompe pour l'hiver

#### MISE EN GARDE

La pompe **doit** être protégée en prévision des températures de gel. Si la pompe gèle, cela causera de graves dommages qui pourraient annuler la garantie.

#### MISE EN GARDE

**Ne pas utiliser de solutions d'antigel dans les systèmes de piscine, de spa ou de cuve thermique!** L'antigel est très toxique et peut endommager le système de circulation. La seule exception est le propylène glycol. Pour plus d'informations, consulter un détaillant local en piscine/spa ou prendre contact avec une entreprise d'entretien de piscine qualifiée.

1. Vidanger **toute** l'eau de la pompe, de l'équipement du système et de la tuyauterie.
2. Retirer les deux bouchons de vidange. Ranger les bouchons de vidange dans un endroit sûr et les réinstaller lorsque la saison froide est terminée. **Ne pas perdre les joints toriques.** (Ensemble bouchon de vidange et joint torique R0446000)
3. Garder le moteur couvert et au sec.

**REMARQUE** Couvrir la pompe avec du plastique créera de la condensation, et cette humidité endommagera la pompe. La meilleure façon de protéger votre pompe est de faire déconnecter le câblage électrique au commutateur ou à la boîte de jonction par un technicien d'entretien ou un électricien certifié. Une fois l'alimentation coupée, les deux raccords peuvent être desserrés et la pompe peut être entreposée à l'intérieur. Pour la sécurité et pour empêcher l'entrée de contaminants, réinstaller tous les couvercles de boîtes de conduit et de bornes.

4. Lorsque le système est rouvert pour la mise en marche, s'assurer que toutes les valves, tout le câblage et l'équipement sont conformes aux recommandations du fabricant. Prêter une attention particulière au filtre et aux connexions électriques.
5. La pompe doit être amorcée avant le démarrage; se reporter à la Section 4.1, Démarrage.

## Section 6. Dépannage

Zodiac Pool Systems LLC vous recommande fortement d'appeler un technicien qualifié pour toute intervention sur le système de filtre/pompe. Pour trouver une entreprise de services indépendante, veuillez consulter le bottin téléphonique de votre région ou visiter [www.zodiacpoolsystems.com](http://www.zodiacpoolsystems.com) et cliquer sur « Soutien ».

### 6.1 Dépannage

Symptôme	Problème/solution possible
Le système de nettoyage/circulation ne fonctionne pas correctement.	<p>Vérifier que les paniers crépine, le panier de la pompe et les autres tamis sont propres. Nettoyer au besoin.</p> <p>Vérifier le filtre et nettoyer au besoin.</p> <p>Vérifier la position du clapet de retour. Ajuster au besoin.</p> <p><b>REMARQUE</b> Si plusieurs pièces d'équipement fonctionnent en même temps (par exemple, fontaines, jets de spa et renvois en surface), cela peut affecter le bon fonctionnement du système de nettoyage et l'empêcher de fonctionner correctement.</p> <p>Vérifier manuellement le système de nettoyage pour s'assurer que le système est réglé conformément aux recommandations du fabricant.</p>
Présence de bulles dans le panier de la pompe.	<p>De l'air est présent dans le système. Vérifier le niveau d'eau de la piscine ou du spa, pour s'assurer qu'il est au bon niveau et qu'il n'y a pas d'air qui est aspiré dans la tuyauterie d'aspiration. Si l'eau est au niveau normal, éteindre la pompe. Enlever le couvercle et vérifier qu'il n'y a pas de débris autour du joint torique du couvercle ou une mauvaise installation du joint d'étanchéité du couvercle, puisque l'une ou l'autre de ces conditions permettrait à l'air de s'échapper dans le système. Nettoyer le joint torique du couvercle et le poser sur le couvercle. Serrer le couvercle à la main pour assurer une bonne étanchéité. <b>Ne pas utiliser des outils pour serrer le couvercle.</b> Remettre la pompe en marche.</p>
Il y a toujours des fuites d'air.	<p>Vérifier le côté aspiration du raccord de tuyauterie. Tandis que la pompe fonctionne, essayer de serrer le raccord. Si cela n'interrompt pas la fuite d'air, arrêter la pompe. Serrer les deux raccords et glisser la pompe hors du chemin. Retirer, nettoyer et reposer les joints toriques des deux raccords.</p> <p>Repositionner la pompe à côté de la tuyauterie et fixer les écrous-raccords de la pompe. Avec des joints toriques de raccord propres, le serrage à la main des raccords devrait créer une étanchéité. Si les raccords ne font pas l'étanchéité, serrer délicatement avec une grande paire de pinces à languette et rainure. <b>Ne pas trop serrer.</b></p>
Il n'y a pas d'air dans le système, mais la pression est toujours basse.	<p>Il est possible que des débris soient coincés dans la turbine de pompe. La turbine de pompe déplace l'eau et les ailettes de la turbine de pompe peuvent être bloquées par des débris.</p> <ol style="list-style-type: none"> <li>1. Arrêter la pompe. Couper le disjoncteur au moteur de la pompe.</li> <li>2. Retirer le couvercle et le panier.</li> <li>3. Regarder s'il y a des débris à l'intérieur de la pompe. Retirer les débris qui s'y trouvent.</li> <li>4. Reposer le panier et le couvercle.</li> <li>5. Réactiver le disjoncteur au moteur de la pompe.</li> <li>6. Mettre la pompe en marche, pour voir si le problème est résolu.</li> <li>7. Si la turbine de pompe est toujours bloquée par des débris et qu'il n'est pas possible de les retirer en suivant l'étape 2 à 4, il faudra démonter la pompe pour accéder à l'entrée et à la sortie de la turbine de pompe.</li> </ol>

Symptôme	Problème/solution possible
Il n'y a pas de débris qui bloquent la turbine de pompe et la pression est toujours basse.	La turbine de pompe et le diffuseur montrent des signes d'usure normale. Demander à un technicien d'entretien qualifié de vérifier la turbine de pompe et le diffuseur, et les remplacer au besoin. Si la pompe fait partie d'une installation relativement nouvelle, cela peut être un problème électrique. Prendre contact avec un technicien d'entretien qualifié. Demander à un technicien de vérifier le serrage des connexions électriques ainsi que la tension du moteur de la pompe lorsqu'elle est en fonctionnement. La tension doit être autour des 10 % de la tension indiquée sur la plaque signalétique du moteur. Si la tension ne se situe pas dans les 10 %, prendre contact avec un électricien qualifié ou le fournisseur d'électricité local.
Il y a une fuite d'eau entre le moteur et le corps de la pompe.	Ceci est causé par un joint mécanique endommagé ou défectueux. Le joint d'étanchéité de la pompe laisse fuir de l'air. Demander à un technicien d'entretien qualifié de remplacer le joint d'étanchéité.
La pompe devient chaude et s'éteint régulièrement.	Veiller à ce qu'il y ait suffisamment de place autour du moteur pour que l'air circule et maintienne le moteur frais. Demander à un électricien qualifié de vérifier le serrage des connexions électriques, ainsi que la tension du moteur de la pompe lorsqu'elle est en fonction. La tension doit être autour des 10 % de la tension indiquée sur la plaque signalétique du moteur. Si la tension ne se situe pas dans les 10 %, prendre contact avec un électricien qualifié ou le fournisseur d'électricité local.

## Section 7. Pièces, spécifications du produit et données techniques

### 7.1 Liste des pièces de rechange

Pour commander ou acheter des pièces pour des pompes Zodiac®, veuillez prendre contact avec votre dépositaire Zodiac le plus près. Si le dépositaire Zodiac ne peut vous fournir ce dont vous avez besoin, veuillez contacter le soutien technique Zodiac au 800 822-7933 ou faire parvenir un courriel à : [productsupport@fluidra.com](mailto:productsupport@fluidra.com)

No. de clé	Description	N° de modèle (HP) (CV)	Référence
1	Moteur à vitesse unique et quincaillerie, SHPF	.50	R0445114
1	Moteur à vitesse unique et quincaillerie, SHPF	.75	R0445101
1	Moteur à vitesse unique et quincaillerie, SHPF	1.0	R0445102
1	Moteur à vitesse unique et quincaillerie, SHPF	1.5	R0445103
1	Moteur à vitesse unique et quincaillerie, SHPF	2.0	R0445104
1	Moteur à vitesse unique et quincaillerie, SHPF	3.0	R0445105
1	Moteur à vitesse unique et quincaillerie, SHPF	5.0	R0490200
1	Moteur à vitesse unique et quincaillerie, SHPM	.75	R0479301
1	Moteur à vitesse unique et quincaillerie, SHPM	1.0	R0479302
1	Moteur à vitesse unique et quincaillerie, SHPM	1.5	R0479303
1	Moteur à vitesse unique et quincaillerie, SHPM	2.0	R0479304
1	Moteur à vitesse unique et quincaillerie, SHPM	2.5	R0479305
1	Moteur à deux vitesses et quincaillerie, SHPM	1.5	R0479307
1	Moteur à deux vitesses et quincaillerie, SHPM	2.0	R0479308
1	Moteur à deux vitesses et quincaillerie, SHPM	2.5	R0479309
1	Moteur à vitesse unique et quincaillerie, SHPF, triphasé	1.0	R0479101
1	Moteur à vitesse unique et quincaillerie, SHPF, triphasé	1.5	R0479102
1	Moteur à vitesse unique et quincaillerie, SHPF, triphasé	2.0	R0479103
1	Moteur à vitesse unique et quincaillerie, SHPF, triphasé	3.0	R0479104
1	Moteur à deux vitesses et quincaillerie, SHPF	1.0	R0445113
1	Moteur à deux vitesses et quincaillerie, SHPF	1.5	R0445106
1	Moteur à deux vitesses et quincaillerie, SHPF	2.0	R0445107
2	Trousse pour la plaque arrière avec quincaillerie, joint torique et joints mécaniques, SHPF/ SHPM	.50-3.0	R0445200

No. de clé	Description	N° de modèle (HP) (CV)	Référence
2	Trousse pour la plaque arrière avec quincaillerie, joint torique et joints mécaniques, SHPF	5.0	R0445201
3	Trousse de remplacement pour la turbine, SHPF	.50	R0807204
3	Trousse de remplacement pour la turbine, SHPF	.75	R0807203
3	Trousse de remplacement pour la turbine, SHPF	1.0, 1.0-2	R0807202
3	Trousse de remplacement pour la turbine, SHPF	1.5, 1.5-2	R0807201
3	Trousse de remplacement pour la turbine, SHPF	2.0, 2.0-2	R0807200
3	Trousse de remplacement pour la turbine, SHPF	3.0	R0807205
3	Trousse de remplacement pour la turbine, SHPF	5.0	R0807207
3	Trousse de remplacement pour la turbine, SHPM	0.75	R0807204
3	Trousse de remplacement pour la turbine, SHPM	1.0	R0807203
3	Trousse de remplacement pour la turbine, SHPM	1.5	R0807202
3	Trousse de remplacement pour la turbine, SHPM	2.0, 2.0-2	R0807201
3	Trousse de remplacement pour la turbine, SHPM	2.5, 2.5-2	R0807200
3	Vis avec joint torique, à autoétanchéité	Tout	R0445302-06
4	Diffuseur avec joint torique et quincaillerie	.50-3.0	R0445400
4	Diffuseur avec joint torique et quincaillerie	5.0	R0445401
5	Joint d'arbre mécanique (1 jeu) (carbone et céramique)	Tout	R0479400
6	Corps, pompe, SHPF/SHPM	Tout	R0445601
7	Assemblage pour pied de montage du moteur avec vis, SHPF/SHPM	Tout	R0445700
8	Couvercle avec joint d'étanchéité et anneau de blocage	Tout	R0445800
9	Joint torique bleu pour essai de pression	Tout	R0479000
10	Panier filtre pour débris de pompe	Tout	R0445900
11	Bouchon de vidange avec joint torique (jeu de 2)	Tout	R0446000
12	Pièce de raccordement (5,08 cm (2 po) par cm 6,35 cm (2½ po)), joint torique et écrou d'assemblage (jeu de 2)	.50-2.5	R0446101
12	Pièce de raccordement (6,35 cm (2½ po) par 7,62 cm (2½ po)) avec joint torique et écrou d'assemblage (jeu de 2)	3.0-5.0	R0446102
13	Joint d'étanchéité du couvercle et joint torique du couvercle (joint torique du couvercle non illustré)	Tout	R0446200
14	Joint torique, plaque arrière	Tout	R0446300
15	Pièce de raccordement, joint torique (jeu de 2)	Tout	R0446400
16	Quincaillerie, diffuseur/turbine	.50-3.0	R0446500
16	Quincaillerie, diffuseur/turbine	5.0	R0446501
17	Boulons et rondelles pour plaque arrière (jeu de 8)	Tout	R0446600
18	Boulons et rondelles pour le moteur (jeu de 4)	Tout	R0446700
19	Vis, pied de montage moteur	Tout	R0446800
20	SHPF5.0-3PH, TEFC Moteur à vitesse unique et quincaillerie	Moteur triphasé 5.0 HP (CV)	R0479105
21	SHPF5.0-3PH TEFC Compartiment pour le câblage du moteur, trousse pour capot de refoulement du ventilateur (inclus toutes les vis de fixation)	Moteur triphasé 5.0 HP (CV)	R0895000

## 7.2 Vue éclatée

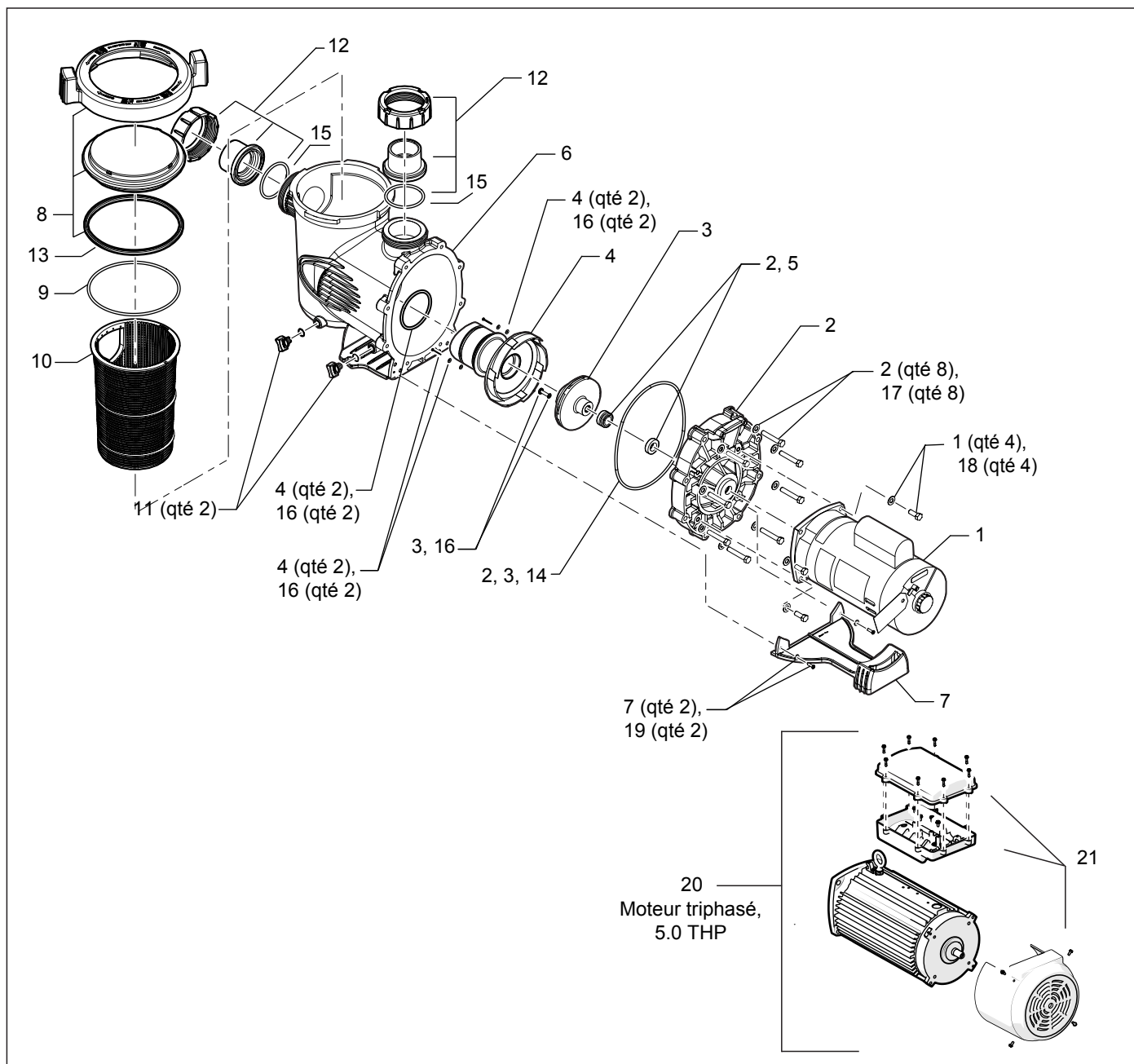
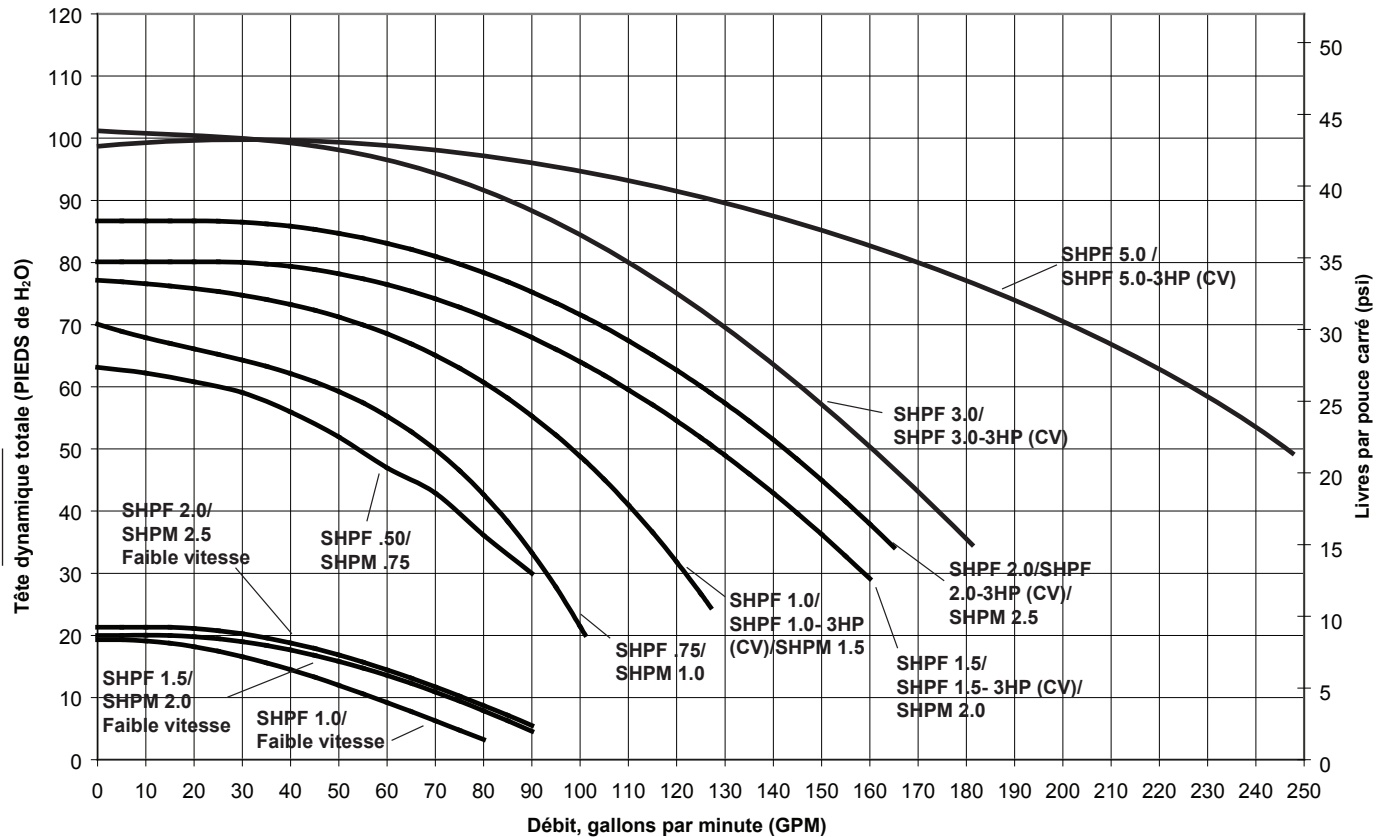


Figure 6. Vue éclatée du modèle SHPF et SHPM

## 7.3 Courbes de rendement de pompe SHPF et SHPM

Pompes haute pression de la série Jandy Stealth  
Pleine capacité nominale (SHPF) et capacité nominale maximale (SHPM)



## 7.4 Spécifications physiques et opérationnelles

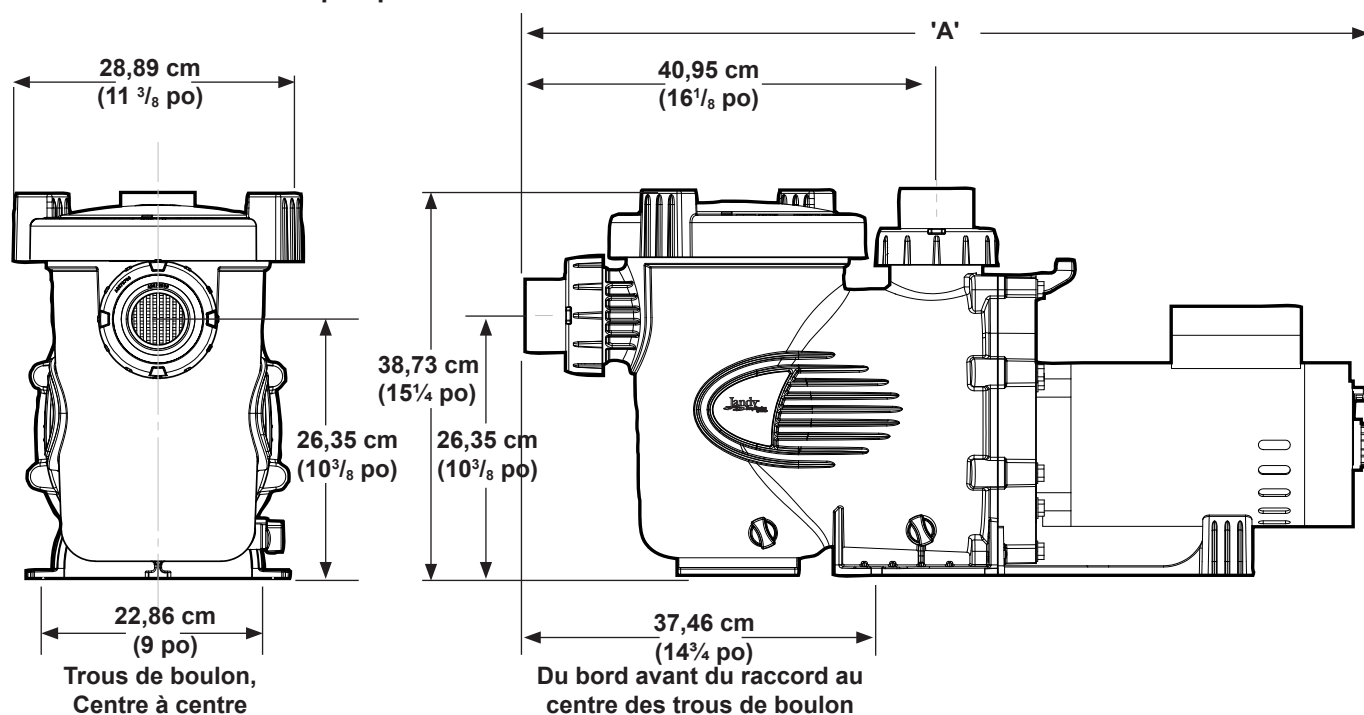
### 7.4.1 Spécifications de la pompe SHPF

N° de modèle	HP (CV)	Tension	Amp.	Grosseur des tuyaux	Poids de la boîte	Longueur totale « A »
SHPF.50	.50	208-230/115	4.4-4.5/8.8	5,08-6,35 cm (2-2½ po)	13,61 kg (30 lb)	79,05 cm (31⅞ po)
SHPF.75	.75	208-230/115	6.0-5.6/11.2	5,08-6,35 cm (2-2½ po)	19,50 kg (43 lb)	80,96 cm (31⅞ po)
SHPF1.0	1.0	208-230/115	7.8-7.4/14.8	5,08-6,35 cm (2-2½ po)	20,41 kg (45 lb)	81,91 cm (32¼ po)
SHPF1.5	1.5	208-230	9.6-8.8	5,08-6,35 cm (2-2½ po)	22,68 kg (50 lb)	80,86 cm (32⅝ po)
SHPF2.0	2.0	208-230	11.0-10.0	5,08-6,35 cm (2-2½ po)	25,85 kg (57 lb)	84,14 cm (33⅞ po)
SHPF3.0	3.0	208-230	15.0-13.6	6,35-7,62 cm (2½-3 po)	28,57 kg (63 lb)	84,14 cm (33⅞ po)
SHPF1.0-2	1.0	230	7.2/3.0	5,08-6,35 cm (2-2½ po)	23,58 kg (52 lb)	84,14 cm (33⅞ po)
SHPF1.5-2	2.0	230	10.0/3.5	5,08-6,35 cm (2-2½ po)	25,85 kg (57 lb)	85,41 cm (33⅝ po)
SHPF2.0-2	2.5	230	11.0/4.0	5,08-6,35 cm (2-2½ po)	29,02 kg (64 lb)	84,14 cm (33⅞ po)
SHPF1.0-3HP (CV)	1.0	208-230/460	5.0-4.6/2.3	5,08-6,35 cm (2-2½ po)	24,94 kg (55 lb)	80,96 cm (31⅞ po)
SHPF1.5-3HP (CV)	1.5	208-230/460	6.4-5.8/2.9	5,08-6,35 cm (2-2½ po)	25,85 kg (57 lb)	81,60 cm (32⅞ po)
SHPF2.0-3HP (CV)	2.0	208-230/460	7.1-6.8/3.4	5,08-6,35 cm (2-2½ po)	29,02 kg (64 lb)	80,86 cm (32⅝ po)
SHPF3.0-3HP (CV)	3.0	208-230/460	9.0-8.6/4.3	6,35-7,62 cm (2½-3 po)	28,12 kg (62 lb)	80,86 cm (32⅝ po)
SHPF5.0	5.0	230	19.4	10,16 cm (4 po)	32,65 kg (72 lb)	85,72 cm (33¾ po)
SHPF5.0-3HP (CV)	5.0	208-230/460	15.5-15.0/7.5	10,16 cm (4 po)	43,09 kg (95 lb)	88,90 cm (35 po)

### 7.4.2 Spécifications de la pompe SHPM

N° de modèle	HP (CV)	Tension	Amp.	Grosueur des tuyaux	Poids de la boîte	Longueur totale « A »
SHPM.75	.75	208-230/115	4.4-4.5/8.8	5,08-6,35 cm (2-2½ po)	13,61 kg (30 lb)	79,05 cm (31⅛ po)
SHPM1.0	1.0	208-230/115	6.0-5.6/11.2	5,08-6,35 cm (2-2½ po)	19,50 kg (43 lb)	80,96 cm (31⅞ po)
SHPM1.5	1.5	208-230/115	7.8-7.4/14.8	5,08-6,35 cm (2-2½ po)	20,41 kg (45 lb)	81,91 cm (32¼ po)
SHPM2.0	2.0	208-230	9.6-8.8	5,08-6,35 cm (2-2½ po)	22,68 kg (50 lb)	80,86 cm (32⅝ po)
SHPM2.5	2.5	208-230	11.0-10.0	5,08-6,35 cm (2-2½ po)	25,85 kg (57 lb)	84,14 cm (33⅛ po)
SHPM1.5-2	1.5	230	7.2/3.0	5,08-6,35 cm (2-2½ po)	23,58 kg (52 lb)	81,60 cm (32⅛ po)
SHPM2.0-2	2.0	230	10.0/3.5	5,08-6,35 cm (2-2½ po)	25,85 kg (57 lb)	80,86 cm (32⅝ po)
SHPM2.5-2	2.5	230	11.0/4.0	5,08-6,35 cm (2-2½ po)	29,02 kg (64 lb)	84,14 cm (33⅛ po)

### 7.4.3 Dimensions de la pompe



**NOTE** Lors de l'installation de la pompe, laisser un dégagement d'au moins 60,96 cm (2 pi) au-dessus de la pompe, pour le retrait du panier crépine.

**Zodiac Pool Systems LLC**

2882 Whiptail Loop # 100, Carlsbad, CA 92010

**Zodiac Pool Systems Canada, Inc.**

2-3365 Mainway, Burlington, ON L7M 1A6 Canada

USA | Jandy.com | 1 800 822.7933  
Canada | Jandy.ca | 1 888 647.4004



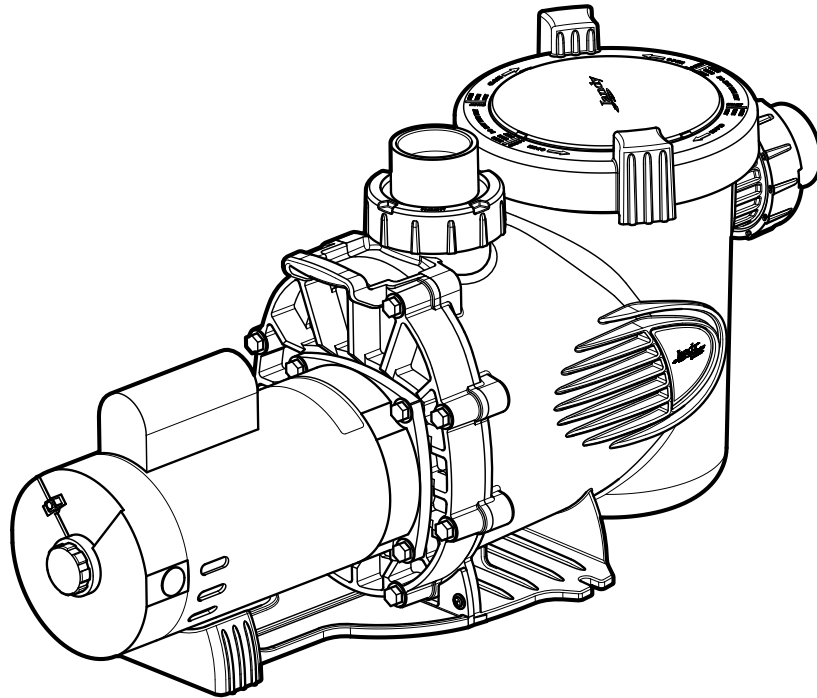
CONFORME À LA NORME UL 1081  
CERTIFIÉ SELON CSA STD C22.2 NO 108





# MANUAL DE INSTALACIÓN Y OPERACIÓN

ESPAÑOL



## Bombas Jandy Stealth™ Modelos SHPF y SHPM

### ⚠ ADVERTENCIA

**PARA SU SEGURIDAD:** La instalación y el servicio técnico de este producto deben estar a cargo de un contratista cualificado y matriculado para trabajar con equipamientos para piscinas en la jurisdicción en la que se instalará el producto, donde existan tales requisitos estatales o locales. El técnico de servicio debe ser profesional y contar con experiencia suficiente en instalación y mantenimiento de equipamientos para piscinas, para que todas las instrucciones de este manual se puedan seguir exactamente. Antes de instalar este producto, lea y siga todos los avisos de advertencia y las instrucciones que se proporcionan con el producto. Si no se siguen los avisos de advertencia ni las instrucciones, es posible que se produzcan daños materiales, lesiones personales o la muerte. Una instalación u operación incorrectas pueden anular la garantía.



La instalación y la operación inadecuadas pueden generar peligros eléctricos no deseados que pueden provocar lesiones graves, daños materiales o la muerte.

**ATENCIÓN, INSTALADOR:** Este manual contiene información importante acerca de la instalación, la operación y la utilización seguras de este producto. Esta información debe ser entregada al dueño u operador de este equipo.

# Contenido

**Sección 1. INSTRUCCIONES IMPORTANTES DE SEGURIDAD .....43**

- 1.1 Instrucciones de seguridad ..... 43
- 1.2 Pautas para la prevención de atrapamiento por la succión de la bomba ..... 45

**Sección 2. Descripción general .....46**

- 2.1 Introducción ..... 46
- 2.2 Descripción..... 46

**Sección 3. Instalación.....46**

- 3.1 Tuberías ..... 46
- 3.2 Instalación eléctrica ..... 48
- 3.3 Pruebas de presión ..... 50

**Sección 4. Operación.....52**

- 4.1 Puesta en marcha ..... 52

**Sección 5. Servicio y mantenimiento .....52**

- 5.1 Mantenimiento de rutina..... 52
- 5.2 Preparación de la bomba para el invierno..... 53

**Sección 6. Resolución de problemas.....54**

- 6.1 Resolución de problemas..... 54

**Sección 7. Especificaciones de piezas, productos y datos técnicos.....55**

- 7.1 Lista de repuestos ..... 55
- 7.3 Curvas de las bombas SHPF y SHPM..... 58
- 7.4 Especificaciones físicas y operativas ..... 58

**REGISTRO DE INFORMACIÓN DEL EQUIPO**

FECHA DE INSTALACIÓN \_\_\_\_\_

INFORMACIÓN DEL INSTALADOR \_\_\_\_\_

LECTURA INICIAL DEL MANÓMETRO (CON FILTRO LIMPIO) \_\_\_\_\_

MODELO DE BOMBA \_\_\_\_\_

CABALLOS DE FUERZA \_\_\_\_\_

NOTAS: \_\_\_\_\_

\_\_\_\_\_

\_\_\_\_\_

# Sección 1. INSTRUCCIONES IMPORTANTES DE SEGURIDAD

## LEA Y SIGA TODAS ESTAS INSTRUCCIONES

### 1.1 Instrucciones de seguridad

Todos los trabajos de electricidad deben ser hechos por un electricista matriculado y deben cumplir todas las normativas nacionales, estatales y locales. Cuando se instale y utilice este equipo eléctrico, se deberán seguir siempre las siguientes precauciones básicas de seguridad:

#### ADVERTENCIA

**PELIGRO DE ATRAPAMIENTO POR SUCCIÓN QUE, SI NO SE EVITA, PUEDE PROVOCAR LESIONES GRAVES O LA MUERTE.** No bloquee la succión de la bomba, ya que esto puede provocar lesiones graves o la muerte. No use esta bomba para piscinas infantiles, piscinas de poca profundidad o hidromasajes que contengan drenajes en el fondo, a no ser que la bomba esté conectada por lo menos a dos salidas de succión en funcionamiento. Los conjuntos de salida de succión (drenajes) y sus cubiertas deben estar certificados según la edición publicada más reciente de ANSI®/ASME® A112.19.8 o su norma sucesora, ANSI/APSP-16.

#### ADVERTENCIA

Para reducir el riesgo de lesiones, no permita que los niños usen este producto.

#### ADVERTENCIA

Para reducir el riesgo de daños materiales o lesiones, no intente cambiar la posición de la válvula de reextracción (multipuerto, deslizante o de flujo completo) con la bomba en funcionamiento.

#### ADVERTENCIA

Las bombas Jandy están impulsadas por un motor eléctrico de alto voltaje y deben ser instaladas por un electricista matriculado o certificado o por un técnico de servicio de piscinas cualificado.

#### ADVERTENCIA

**RIESGO DE DESCARGAS ELÉCTRICAS, INCENDIOS, LESIONES PERSONALES O LA MUERTE (Para todas las unidades instaladas de manera permanente previstas para utilización a 15 o 20 amperios, ramales monofásicos, de 120 a 240 voltios).** Conecte solamente a un ramal que esté protegido por un interruptor de circuito a tierra (GFCI). Contacte a un electricista autorizado si no puede verificar que el circuito está protegido por un GFCI. El instalador debe proporcionar un GFCI, que debe probarse con frecuencia. Para probar el GFCI, presione el botón de prueba. El GFCI debe interrumpir la energía. Presione el botón Reset (Restablecer). La energía debe restablecerse. Si el GFCI no funciona de esta forma, significa que tiene algún defecto. Si el GFCI interrumpe la alimentación a la bomba sin que se presione el botón de prueba, significa que hay corriente de tierra, lo que a su vez indica la posibilidad de descarga eléctrica. No utilice la bomba. Desconecte la bomba y solicite a un representante de servicio cualificado que solucione el problema antes de utilizarla. Debido al posible riesgo de incendios, descargas eléctricas o lesiones personales, las bombas Jandy deben instalarse en conformidad con National Electrical Code® (NEC®), todos los códigos eléctricos y de seguridad locales y la Ley de Seguridad y Salud Ocupacionales (*Occupational Safety and Health Act* OSHA®). Es posible solicitar ejemplares de NEC a National Fire Protection Association® (NFPA®) a través de la página [www.nfpa.org](http://www.nfpa.org) o del número 617-770-3000, o contactar a su organismo gubernamental de inspección local.

#### ADVERTENCIA

Un equipo instalado incorrectamente puede fallar y provocar lesiones graves o daños materiales.

#### ADVERTENCIA

- No conecte el sistema a un sistema de agua municipal sin regular ni a ninguna otra fuente externa de agua presurizada que produzca presiones de más de 35 PSI.
- El aire atrapado en el sistema puede provocar que la tapa del filtro salga expulsada, lo que puede provocar la muerte, lesiones personales graves o daños materiales. Asegúrese de que no haya nada de aire en el sistema antes de operarlo.

**⚠ ADVERTENCIA**

Para minimizar el riesgo de lesiones graves o de muerte, no se deben someter el filtro ni la bomba a la prueba de presurización del sistema de tuberías.

Las normativas locales pueden requerir que el sistema de tuberías de la piscina sea sometido a una prueba de presión. Estos requisitos no suelen estar destinados a los equipos para piscinas como filtros o bombas.

Los equipos para piscinas Zodiac® se someten a pruebas de presión en la fábrica.

Sin embargo, si no se puede respetar la ADVERTENCIA y las pruebas de presión del sistema de tuberías deben incluir el filtro o la bomba, ASEGÚRESE DE CUMPLIR LAS SIGUIENTES INSTRUCCIONES DE SEGURIDAD:

- Verifique todas las abrazaderas, los tornillos, las tapas, los anillos de bloqueo y los accesorios del sistema para asegurar que estén correctamente instalados y asegurados antes de la prueba.
- LIBERE TODO EL AIRE del sistema antes de la prueba.
- La presión de agua para la prueba NO DEBE EXCEDER LOS 35 PSI.
- La temperatura del agua para la prueba NO DEBE EXCEDER LOS 100 °F (38 °C).
- Limite la prueba a 24 horas. Después de la prueba, verifique visualmente el sistema para asegurar que esté listo para su operación.

AVISO: Estos parámetros se aplican únicamente a los equipos Zodiac. En el caso de equipos ajenos a Zodiac, consulte al fabricante del equipo.

**⚠ ADVERTENCIA**

Los derrames y vapores químicos pueden debilitar los equipos de la piscina/del hidromasaje. La corrosión puede provocar la falla de los filtros y de otros equipos, lo que puede provocar lesiones graves o daños materiales.

No almacene productos químicos para la piscina cerca de los equipos.

**⚠ PRECAUCIÓN**

¡No ponga en marcha la bomba en seco! Si se hace funcionar la bomba en seco durante la cantidad de tiempo que sea, ocurrirán daños graves y podría anularse la garantía.

Para evitar la falla prematura o los daños en el motor de la bomba, proteja la bomba de la exposición directa al agua de rociadores, escurrimiento de agua de techos y drenajes, etc. De lo contrario, la bomba podría fallar y podría anularse la garantía.

**⚠ PRECAUCIÓN**

Esta bomba es para su uso en piscinas permanentes y también se puede utilizar en jacuzzis e hidromasajes si estuviera indicado. No use esta bomba con piscinas almacenables. Las piscinas permanentes están construidas dentro del suelo o sobre él o en un edificio de tal manera que no se pueden desmontar para su almacenamiento. Las piscinas almacenables están construidas de manera que pueden ser fácilmente desmontadas para su almacenamiento y pueden volver a montarse para que tengan su estado original.

**⚠ PRECAUCIÓN**

No realice la instalación dentro de un recinto exterior ni debajo del revestimiento del jacuzzi o hidromasaje.

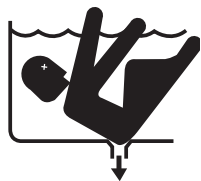
La bomba requiere una ventilación adecuada para mantener la temperatura del aire menor que la temperatura ambiente máxima nominal detallada en la placa de calificaciones nominales del motor.

**GUARDE ESTAS INSTRUCCIONES**

## 1.2 Pautas para la prevención de atrapamiento por la succión de la bomba

### ⚠ PRECAUCIÓN

Las bombas trifásicas serie SHPF utilizan conjuntos de motor protegidos no térmicamente. Durante la instalación final del conjunto de la bomba se requieren un controlador de motor incluido en NRTL con protección de sobrecarga de funcionamiento del motor interno o sobrecarga de funcionamiento del motor externo. Las sobrecargas deben establecerse a un máximo de 125 % de la calificación nominal de corriente de carga plena del conjunto del motor de la bomba.



### ⚠ ADVERTENCIA

**PELIGRO DE SUCCIÓN.** Puede provocar lesiones graves o la muerte. No use esta bomba para piscinas infantiles, piscinas de poca profundidad o hidromasajes que contengan drenajes en el fondo, a menos que la bomba esté conectada por lo menos a dos (2) salidas de succión en funcionamiento.

### ⚠ ADVERTENCIA

**La succión de la bomba es peligrosa y puede atrapar y ahogar o descuartizar a los bañistas. No use ni opere piscinas, hidromasajes ni jacuzzis si falta una cubierta de salida de succión, o está rota o floja.**

Las pautas siguientes proporcionan información para la instalación de la bomba que minimiza el riesgo de lesiones para los usuarios de piscinas, hidromasajes y jacuzzis:

**Protección contra el atrapamiento** – El sistema de succión de la bomba debe proporcionar protección contra los peligros del atrapamiento por succión.

**Cubiertas de salidas de succión** – Todas las salidas de succión deben tener cubiertas correctamente instaladas y atornilladas en su lugar. Todos los conjuntos de salida de succión (drenaje) y sus cubiertas deben mantenerse correctamente. Los conjuntos de salida de succión (drenaje) y sus cubiertas deben estar incluidos/certificados en la edición publicada más reciente de ANSI®/ASME® A112.19.8 o su norma sucesora, ANSI/APSP-16. Deben reemplazarse si están agrietadas o rotas o si faltan.

**Cantidad de salidas de succión por bomba** – Proporcione al menos dos (2) drenajes principales balanceados hidráulicamente con cubiertas, como salidas de succión para cada línea de succión de la bomba de circulación. Los centros de los drenajes principales (salidas de succión) de cualquier una (1) línea de succión deben estar a al menos tres (3) pies de distancia de centro a centro. Consulte la Figura 1.

El sistema **debe** incluir al menos dos (2) salidas de succión (drenajes) conectadas a la bomba siempre que la bomba esté en funcionamiento. Sin embargo, si dos (2) drenajes principales van a una única línea de succión, la única línea de succión puede estar equipada con una válvula que apague ambos drenajes principales desde la bomba. El sistema se construirá de tal modo que no permita el cierre o el aislamiento separado independiente de cada drenaje. Consulte la Figura 1.

Es posible conectar más de una (1) bomba a una única línea de succión, siempre que se cumplan los requisitos anteriores.

**Velocidad del agua** – La velocidad máxima del agua a través del conjunto de salida de succión y su cubierta para cualquier salida de succión no debe superar el caudal máximo de diseño del conjunto de acople de succión y de sus cubiertas. El conjunto de salida de succión (drenaje) y su cubierta deben cumplir la versión más reciente de ANSI/ASME A112.19.8, la norma para acoples de succión utilizados en piscinas, piscinas infantiles, hidromasajes y jacuzzis o su norma sucesora, ANSI/APSP-16.

Si el 100 % del caudal de la bomba proviene del sistema de drenaje principal, la velocidad máxima del agua en el sistema hidráulico de succión de la bomba debe ser de (6) pies pro segundo o menos, incluso si un (1) drenaje principal (salida de succión) está completamente bloqueado. El caudal a través de los demás drenajes principales debe cumplir con la versión más reciente de ANSI/ASME A112.19.8, o su norma sucesora, ANSI/APSP-16, la norma para acoples de succión para usarse en piscinas, piscinas infantiles, hidromasajes y jacuzzis.

**Pruebas y certificación** – Los conjuntos de salida de succión y sus cubiertas deben haber sido probados por un laboratorio de pruebas con reconocimiento nacional y debe haberse determinado que cumplen la edición publicada más reciente de ANSI/ASME A112.19.8 o su norma sucesora, ANSI/APSP-16, la norma para acoples de succión para usarse en piscinas, piscinas infantiles, hidromasajes y jacuzzis.

**Acoples** – Los acoples restringen el flujo; para más eficiencia, use la menor cantidad de acoples posible (pero al menos dos [2] salidas de succión).

Evite los acoples que pueden provocar que quede aire atrapado.

Los acoples de succión del limpiador de la piscina deben cumplir las normas aplicables de la International Association of Plumbing and Mechanical Officials (IAPMO).

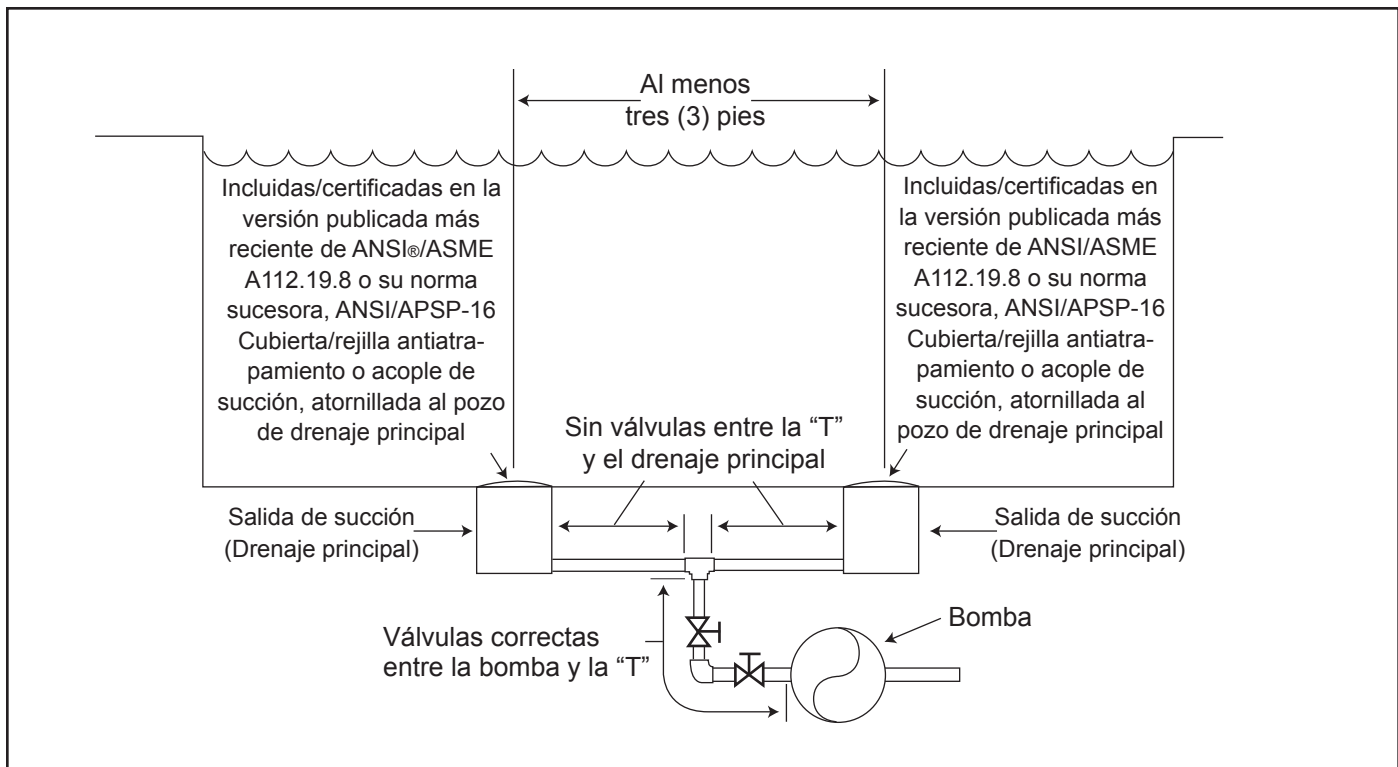


Figura 1. Cantidad de salidas de succión por bomba

## Sección 2. Descripción general

### 2.1 Introducción

Este manual contiene información para la instalación la operación y el mantenimiento correctos de las bombas Jandy Stealth (SHP). Los procedimientos de este manual se deben seguir exactamente. Para obtener copias adicionales de este manual comuníquese con Zodiac Pool Systems LLC al 800.822.7933. Para obtener la dirección, consulte la contratapa de este manual.

### 2.2 Descripción

Las bombas Jandy SHP están diseñadas para satisfacer las necesidades de los equipos de piscinas actuales con mayores demandas hidráulicas. El armazón de la bomba, la placa de apoyo, el difusor, la cesta de pelos y pelusas (canasta de filtro de residuos de la bomba) y el impulsor están fabricados con materiales termoplásticos de alta calidad. Estos materiales fueron escogidos por su fortaleza y su resistencia a la corrosión.

La bomba es impulsada por un motor eléctrico conectado directamente al impulsor de la bomba. Al girar el motor eléctrico, hace girar el impulsor, que fuerza el flujo de agua a través de la bomba. El agua fluye por la entrada de la bomba y después ingresa a la canasta del filtro. El conjunto de la canasta filtra y atrapa las partículas grandes. Después, el agua ingresa al centro del armazón de la bomba, fluye a través del impulsor hacia el difusor y sale por el puerto de descarga de la bomba.

## Sección 3. Instalación

### 3.1 Tuberías

#### 3.1.1 Preparación

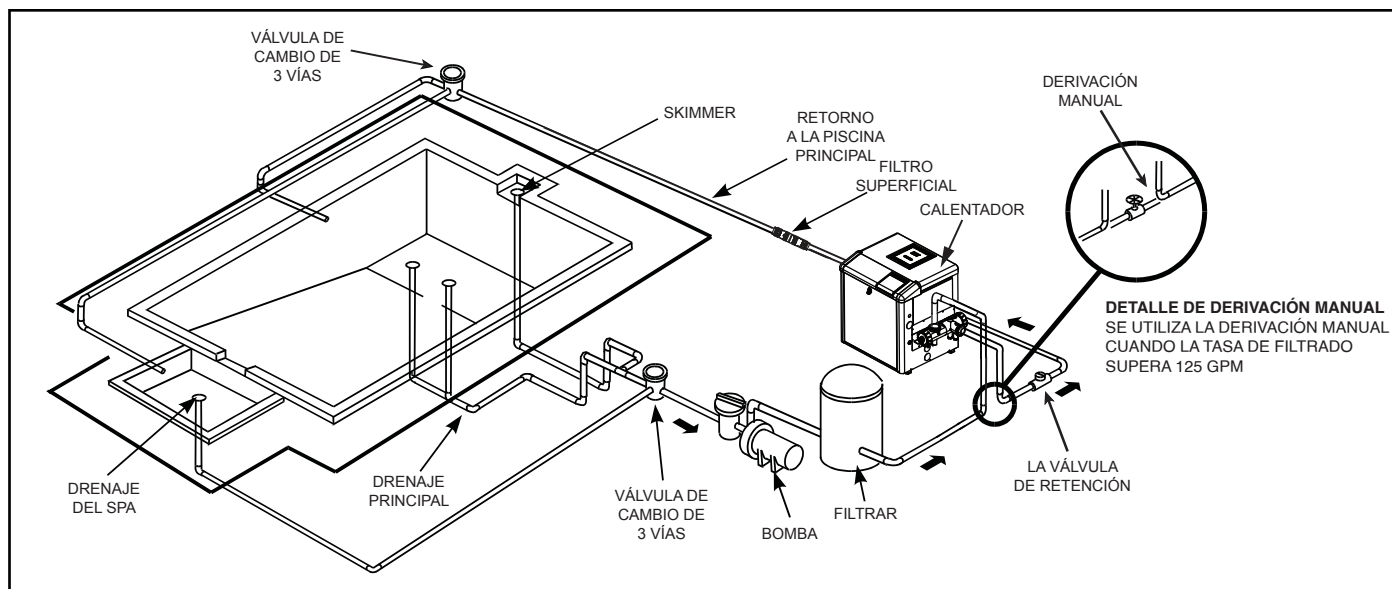
- Al recibir la bomba, verifique la caja para determinar que no haya daños. Abra la caja y verifique la bomba para determinar que no haya daños ocultos, como grietas, roturas o una base doblada. Si encuentra algún daño, comuníquese con el transportista o con el distribuidor al que le compró la bomba.
- Inspeccione el contenido de la caja y verifique que se hayan incluido todas las piezas. Consulte la Sección 7.1, Lista de repuestos.

#### 3.1.2 Ubicación de la bomba

### ⚠ ADVERTENCIA

Para disminuir el riesgo de incendio, instale los equipos para piscinas en una zona donde no se acumulen hojas u otros residuos sobre los equipos o alrededor de ellos. Mantenga la zona circundante sin residuos como papel, hojas, agujas de pino y otros materiales combustibles.

- Zodiac Pool Systems LLC recomienda instalar la bomba dentro de un (1) pie por arriba del nivel del agua. La bomba no debe elevarse más de unos pocos pies por arriba del nivel de agua de la piscina. Se recomienda una válvula de retención en la línea de succión a la bomba.



**Figura 2. Instalación típica de las tuberías**

- NOTA** Se logra un mejor autocebado si se instala la bomba lo más cerca posible del nivel de agua de la piscina
- Si la bomba está ubicada por debajo del nivel del agua, deben instalarse válvulas de aislamiento en las tuberías de succión y de retorno para evitar el reflujó del agua de la piscina durante los servicios de rutina o requeridos.

## **⚠ ADVERTENCIA**

Algunos dispositivos de sistema de seguridad de alivio de vacío (*Safety Vacuum Release System, SVRS*) no son compatibles con la instalación de válvulas de retención. Si la piscina tiene un dispositivo SVRS, asegúrese de confirmar que continuará operando de manera segura cuando se instale alguna la válvula de retención.

- Instale la bomba de modo tal que cualquier medio de desconexión y/o caja de conexiones para la conexión de energía estén a la vista desde la bomba y a al menos cinco (5) pies horizontalmente desde el borde de la piscina y/o del hidromasaje. Elija una ubicación que minimice los dobleces en la tubería.
- NOTA** En Canadá, la distancia mínima mantenida desde el borde de la piscina o el hidromasaje según se indica arriba debe ser de 3 metros (10 pies), según lo requiere el Código Eléctrico Canadiense (CEC, CSA C22.1).
- La bomba debe instalarse en una superficie firme, sólida y nivelada para evitar el riesgo de asentamiento. No use arena para nivelar la bomba, ya que la arena se lava. Revise los códigos de construcción locales para conocer cualquier requisito adicional (p. ej., las bases de los equipos en Florida deben ser de hormigón y el equipo debe fijarse a la base).

- NOTA** Zodiac Pool Systems LLC recomienda la aplicación de pernos para fijar la bomba directamente a los cimientos.

- Los cimientos de la bomba deben tener un drenaje adecuado para evitar que el motor se humedezca. La bomba debe protegerse de la lluvia y del sol.

- NOTA** Proteja la bomba de la exposición directa al agua de rociadores, escurrimiento de agua de techos y drenajes, etc. De lo contrario, la bomba podría fallar y, además, se podría anular la garantía.

- Se requiere una ventilación adecuada para que la bomba funcione normalmente. Todos los motores generan calor que debe eliminarse con una ventilación correcta.
- A fin de proporcionar acceso para los servicios futuros, deje una zona libre alrededor de la bomba. Deje mucho espacio arriba de la bomba para quitar la tapa y la canasta para su limpieza.
- Si el equipo está cubierto, proporcione una iluminación adecuada.

### **3.1.3 Tamaño de los tubos**

- NOTA** Todas las clasificaciones nominales de HP mencionadas en esta sección son aplicables para las bombas de capacidad nominal plena. Para obtener ayuda con bombas con capacidad nominal máxima, comuníquese con el servicio de soporte técnico de Zodiac al 800.822.7933.

#### **3.1.3.1 Tuberías de succión**

Cuando la bomba está ubicada a una distancia de hasta 50 pies de la piscina, el tamaño mínimo de los tubos recomendado para el lado de succión de la bomba es de:

- 2" para 0.75 a 1.5 HP\*
- 2½" para 2.0 HP\*
- 3" para 3.0 HP\*
- 4" para 5.0 HP\*

\* HP se refiere a bombas de capacidad nominal plena

### 3.1.3.2 Tubos de descarga

Cuando la bomba está ubicada a una distancia de hasta 50 pies de la piscina, el tamaño mínimo de los tubos recomendado para el lado de descarga de la bomba es de:

- 2" para 0.75 a 1.5 HP\*
- 2½" para 2.0 HP\*
- 3" para 3.0 HP\*
- 4" para 5.0 HP\*

\* HP se refiere a bombas de capacidad nominal plena

**NOTA** Los tamaños de tubos pueden soportar las presiones que genera la bomba pero no necesariamente el caudal. Si el tubo es demasiado pequeño para la bomba, o si está por arriba del agua, es probable que no se suministren los galones por minuto (GPM) máximos. Si esto sucede, la bomba generará una bolsa de aire (cavitación) que producirá ruido y se reducirá la vida útil de la bomba.

### 3.1.3.3 Recomendaciones para la instalación

1. Si la bomba está ubicada por debajo del nivel del agua, deben instalarse válvulas de aislamiento en ambos lados de la bomba para evitar el reflujó del agua de la piscina durante los servicios de rutina o los requeridos.
2. Como ayuda para evitar las dificultades al cebar, instale el tubo de succión sin puntos altos (sobre la entrada de la bomba: "U" invertidas en el campo de la plomería) que puedan atrapar aire. Para la instalación de equipos a una distancia de hasta 100 pies del el agua, consulte el gráfico de tamaños de tubos, Tabla 1. Para la instalación de equipos a una distancia superior a los 100 pies del agua, el tubo recomendado debe aumentarse al siguiente superior.

**Tabla 1. Tabla de tamaños de tubos para PVC cédula 40**

Tamaño de tubo	Succión de flujo máxima (6 pies por segundo)	Descarga de flujo máxima (8 pies por segundo)
1½"	37 GPM (140 LPM)	50 GPM (189 LPM)
2"	62 GPM (235 LPM)	85 GPM (322 LPM)
2½"	88 GPM (333 LPM)	120 GPM (454 LPM)
3"	136 GPM (515 LPM)	184 GPM (697 LPM)
4"	234 GPM (886 LPM)	313 GPM (1185 LPM)

3. Las bombas SHP vienen equipadas con uniones en los puertos de succión y de descarga. Esta característica simplifica mucho la instalación y el servicio, y elimina la posibilidad de fugas en los adaptadores roscados.
4. La bomba SHP debe estar conectada a al menos dos (2) drenajes principales hidráulicamente balanceados (salidas de succión) para cada línea de succión de la bomba de la piscina. Cada conjunto de drenaje (salida de succión) debe proporcionarse con cubiertas y debe estar incluido o certificado según la versión más reciente de ANSI®/ASME® A112.19.8 o su norma sucesora, ANSI/APSP-16. Las salidas de succión de los drenajes principales deben estar a al menos

tres (3) pies separados o en planos diferentes. Las salidas de succión pueden consistir en un drenaje y filtro superficial, dos (2) drenajes, dos (2) filtros superficiales, o un filtro superficial con una línea de compensación instalada. Consulte los códigos locales para conocer los requisitos de instalación correctos.

**NOTA** Para prevenir el atrapamiento, el sistema debe construirse de tal forma que no pueda operar si la bomba extrae agua de solo un (1) drenaje principal. Se **deben** conectar al menos dos (2) drenajes a la bomba cuando está en funcionamiento. Sin embargo, si dos (2) drenajes principales van a una única línea de succión, la única línea de succión puede estar equipada con una válvula que apague ambos drenajes principales desde la bomba.

5. La tubería debe tener un buen soporte y no debe estar forzada a aglomerarse donde estará sujeta a estrés constante.
6. Use siempre válvulas del tamaño correcto. Las válvulas de cambio y las válvulas esféricas Jandy típicamente tienen las mejores capacidades de flujo.
7. Use la menor cantidad posible de acoples. Cada acople adicional ocasiona que el equipo se aleje más del agua.

**NOTA** Si son necesarios más de 10 acoples de succión, se debe aumentar el tamaño del tubo.

8. Si esta instalación es nueva, lleve a cabo las pruebas de presión según los códigos locales. Consulte la *Sección 3.3, Pruebas de presión*.

## 3.2 Instalación eléctrica

### 3.2.1 Verificaciones de voltaje

El voltaje correcto, según se especifica en la chapa con instrucciones técnicas de la bomba, es necesario para que haya un desempeño correcto y para que el motor dure mucho tiempo. Un voltaje incorrecto reducirá la capacidad de la bomba de desempeñarse correctamente y podría provocar sobrecalentamientos, acortar la vida útil del motor y conllevar facturas de luz más elevadas.

El instalador eléctrico tiene la responsabilidad de proporcionar voltaje operativo a la bomba según la chapa con instrucciones técnicas velando por que se usen los tamaños correctos de circuitos y cables para esta aplicación en específico.

National Electrical Code® (NEC®, NFPA-70®) requiere que todas las bombas de piscina instaladas permanentemente destinadas a su uso en circuitos de ramal de 15 o 20 amperios, 120 a 240 voltios, monofásicos, estén protegidas con un interruptor de circuito a tierra (GFCI). Por lo tanto, también es responsabilidad del instalador eléctrico asegurar que el circuito de la bomba cumpla este requisito y todos los demás requisitos aplicables de National Electrical Code (NEC) y de cualquier otra normativa de instalación aplicable.

## ⚠ PRECAUCIÓN

Si no se proporciona el voltaje de la placa de datos (dentro del 10 %) durante la operación, el motor se sobrecalentará y se podría anular la garantía.



### 3.2.2 Conexión equipotencial y conexión a tierra

- Además de la conexión a tierra adecuada según se describe en la Sección 3.2.3 y en conformidad con los requisitos de National Electrical Code (NEC) o, en Canadá, del Código Eléctrico Canadiense (CEC), debe haber una conexión equipotencial entre el motor de la bomba y todas las piezas metálicas de la estructura de la piscina, el hidromasaje o el jacuzzi y todos los componentes y equipos eléctricos relacionados con el sistema de circulación de agua de la piscina/del hidromasaje.
- La conexión equipotencial debe hacerse con un conductor de cobre macizo n.º 8 AWG o uno más grande. En Canadá, debe usarse un n.º 6 AWG o uno más grande. Haga la conexión equipotencial del motor con la terminal de conexión equipotencial externa proporcionada en el bastidor del motor.

National Electrical Code® (NEC®) requiere la conexión equipotencial del agua de la piscina. Cuando ninguno de los equipos, de las estructuras o de las piezas de la piscina con conexión equipotencial están en conexión directa con el agua de la piscina, el agua de la piscina debe estar en contacto directo con una superficie conductora aprobada resistente a la corrosión que exponga no menos de 5800 mm<sup>2</sup> (9 in<sup>2</sup>) del área superficial al agua de la piscina en todo momento. La superficie conductora debe estar ubicada donde no esté expuesta a daños físicos ni a su desalojamiento durante las actividades habituales en la piscina, y debe estar conectada equipotencialmente según los requisitos de conexión equipotencial de NEC Artículo 680. Consulte los códigos aplicados localmente para cualquier requisito adicional de conexión equipotencial.

TAMAÑO DE CABLE MÍNIMO PARA LAS BOMBAS SHP* (ENERGÍA MONOFÁSICA)										
Distancia del subpanel			0-50 pies		50-100 pies		100-150 pies		150-200 pies	
Modelo de bomba	Disyuntor de retardo o fusible de la derivación (amperios) Clase: CC, G, H, J, K, RK o T		Voltaje		Voltaje		Voltaje		Voltaje	
	208-230 VCA	115 VCA	208-230 VCA	115 VCA	208-230 VCA	115 VCA	208-230 VCA	115 VCA	208-230 VCA	115 VCA
SHPF.50/SHPM.75	15 A	15 A	14	12	12	8	10	6	8	6
SHPF.75/SHPM1.0	15 A	15 A	14	12	12	8	10	6	8	6
SHPF1.0/SHPM1.5	15 A	20 A	12	10	10	8	8	6	6	4
SHPF1.5/SHPM2.0	15 A	N/D	12	N/D	10	N/D	8	N/D	6	N/D
SHPF2.0/SHPM2.5	15 A	N/D	12	N/D	8	N/D	6	N/D	6	N/D
SHPF3.0	20 A	N/D	10	N/D	8	N/D	6	N/D	4	N/D
SHPF5.0	25 A	N/D	10	N/D	6	N/D	4	N/D	4	N/D
SHPF1.0-2 **	15 A	N/D	12	N/D	10	N/D	8	N/D	6	N/D
SHPF1.5-2 **	15 A	N/D	12	N/D	10	N/D	8	N/D	6	N/D
SHPF2.0-2 **	15 A	N/D	12	N/D	8	N/D	6	N/D	6	N/D
SHPM1.5-2 **	15 A	N/D	12	N/D	10	N/D	8	N/D	6	N/D
SHPM2.0-2 **	15 A	N/D	12	N/D	10	N/D	8	N/D	6	N/D
SHPM2.5-2 **	15 A	N/D	12	N/D	8	N/D	6	N/D	6	N/D

\* Se supone la existencia de tres (3) conductores de cobre en un tubo aislador enterrado y una pérdida de voltaje máxima del 3 % en el circuito de la derivación. Deben cumplirse todas las normativas locales y el National Electrical Code® (NEC®). La tabla muestra el tamaño de cable mínimo y las recomendaciones sobre el fusible de derivación para una instalación corriente conforme al NEC.

\*\* Las bombas de dos velocidades no tienen capacidad nominal para utilizarse con 208 VCA.

TAMAÑO DE CABLE MÍNIMO PARA LAS BOMBAS SHP* (ENERGÍA TRIFÁSICA)										
Distancia del subpanel			0-50 pies		50-100 pies		100-150 pies		150-200 pies	
Modelo de bomba	Disyuntor de retardo o fusible de la derivación (amperios) Clase: CC, G, H, J, K, RK o T		Voltaje		Voltaje		Voltaje		Voltaje	
	460 VCA	115 VCA	460 VCA	208-230 VCA	460 VCA	208-230 VCA	460 VCA	208-230 VCA	460 VCA	208-230 VCA
SHPF1.0-3PH	15 A	15 A	14	12	12	12	10	10	8	8
SHPF1.5-3PH	15 A	15 A	12	12	10	10	8	8	6	6
SHPF2.0-3PH	15 A	15 A	12	12	10	10	8	8	6	6
SHPF3.0-3PH	15 A	15 A	12	12	8	8	6	6	6	6
SHPF5.0-3PH	15 A	20 A	10	10	6	6	4	4	4	4

\* Se supone la existencia de cuatro (4) conductores de cobre en un tubo aislador enterrado y una pérdida de voltaje máxima del 3 % en el circuito de la derivación. Deben cumplirse todas las normativas locales y el National Electrical Code® (NEC®). La tabla muestra el tamaño de cable mínimo y las recomendaciones sobre el fusible de derivación para una instalación corriente conforme al NEC.

Tabla 2. Tamaño mínimo del cable recomendado

## ⚠️ ADVERTENCIA

Para evitar el riesgo de daños materiales, lesiones personales graves o la muerte, siempre desconecte el suministro eléctrico antes de trabajar con un motor o su carga conectada.

## ⚠️ ADVERTENCIA

Para evitar el riesgo de daños materiales, lesiones personales graves o la muerte, asegúrese de tener un interruptor de control o reloj instalados en un lugar accesible para que en el caso de que un equipo falle o un acople de plomería se afloje, el equipo se pueda apagar. Esta ubicación no debe estar en la misma zona de la bomba de la piscina, del filtro ni de otros equipos.

## ⚠️ ADVERTENCIA

La bomba debe estar conectada permanentemente a un circuito eléctrico exclusivo. No se deben conectar otros equipos, luces, artefactos o salidas al circuito de la bomba, a excepción de los dispositivos que deben funcionar de manera simultánea con la bomba, como el dispositivo clorador o el calentador.

### 3.2.3 Cableado eléctrico

## ⚠️ ADVERTENCIA

Para evitar el riesgo de daños materiales, lesiones personales graves o la muerte, realice siempre una conexión a tierra antes de la conexión con el suministro de energía eléctrica.

1. El motor de la bomba debe conectarse a tierra de manera segura y adecuada con el tornillo verde que se proporciona. Conecte a tierra antes de intentar conectar a un suministro de energía eléctrica. **No conecte a tierra a una línea de suministro de gas.**
2. El tamaño del cable debe ser adecuado para minimizar la caída de voltaje durante la puesta en marcha y la operación de la bomba. Consulte la Tabla 2 para obtener los tamaños de cable recomendados.
3. Aísle todas las conexiones con cuidado para evitar la conexión a tierra o los cortocircuitos. Los bordes filosos en los terminales requieren una protección adicional. Para evitar que las tuercas de los cables se aflojen, envuélvalas con una cinta adecuada de aislamiento eléctrico incluida (UL, ETL, CSA). Por seguridad, y para evitar el ingreso de contaminantes, reinstale todas las cubiertas de la caja de distribución y de la caja de terminales. **No fuerce las conexiones a la caja de distribución.**

4. Para configurar el cableado interno del motor de la bomba según el voltaje correcto, consulte el diagrama en la placa de datos del motor.
5. Para motores trifásicos, confirme que la dirección de la rotación del motor coincida con la flecha direccional en la bomba. De lo contrario, la bomba podría fallar y, además, se podría anular la garantía.

### 3.3 Pruebas de presión

Todas las bombas modelo SHP traen una junta tórica desechable adicional para las pruebas de presión. Esta es la junta tórica de prueba de presión azul. Consulte las Figuras 3 y 4.

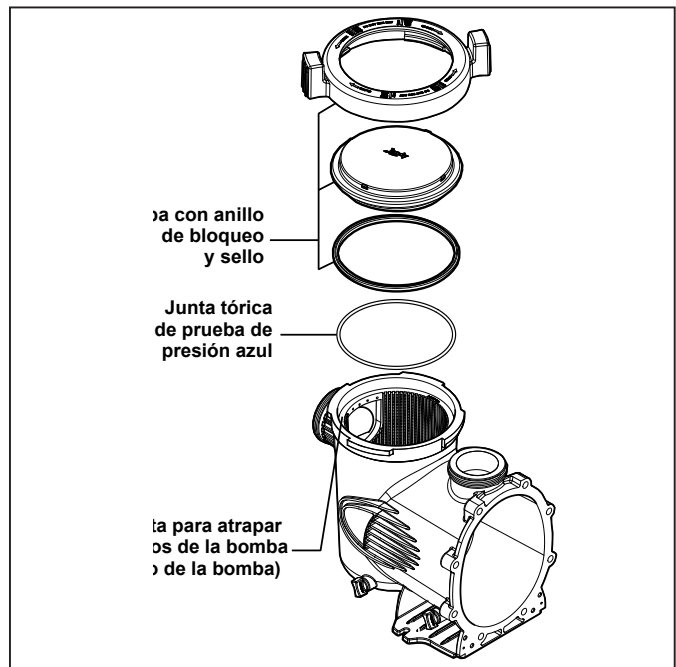


Figura 3. Vista ampliada de la bomba

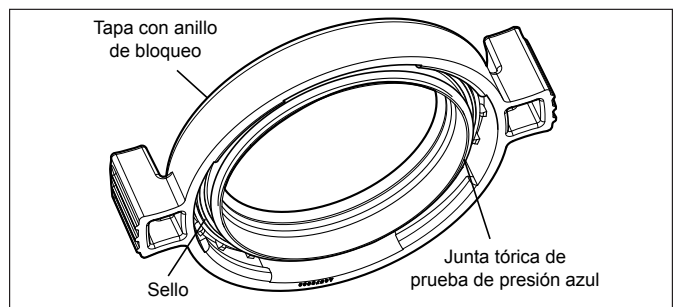


Figura 4. Conjunto de la junta tórica de prueba de presión azul en la tapa

## ⚠️ PRECAUCIÓN

No abra la tapa de la bomba antes de las pruebas de presión, debido a que la junta tórica de prueba de presión azul puede caer fuera. Si esto ocurre, puede resultar necesario reemplazarla.

Si no abrió la tapa de la bomba, pase a la *Sección 3.3.2, Llevar a cabo la prueba de presión.*

### 3.3.1 Reemplace la junta tórica de prueba de presión azul si es necesario

Si abre la tapa de la bomba **antes** de llevar a cabo la prueba de presión, es posible que la junta tórica azul caiga fuera. Si esto ocurre, deberá instalarla en la tapa nuevamente antes de llevar a cabo las pruebas de presión.

Hay riesgo de daños en la junta tórica azul durante la reinstalación. Si la daña al intentar reinstalarla, deberá pedir una nueva junta tórica de prueba de presión azul (R0479000) para poder comenzar a llevar a cabo la prueba de presión.

Estas instrucciones describen los procedimientos correctos para reemplazar, usar y desechar la junta tórica azul.

**Estas instrucciones deben seguirse con exactitud. Lea las instrucciones en su totalidad antes de comenzar el procedimiento.**

#### 3.3.1.1 Quitar la tapa de la bomba

1. Asegúrese de que la bomba esté apagada.
2. Asegúrese de que el interruptor del disyuntor que enciende el motor de la bomba esté apagado.

### ⚠ ADVERTENCIA

Apague la bomba y el disyuntor principal del circuito eléctrico de la bomba antes de comenzar el procedimiento. Si no se cumple esta indicación, podría haber peligro de descarga eléctrica, lo cual puede provocar lesiones personales o la muerte.

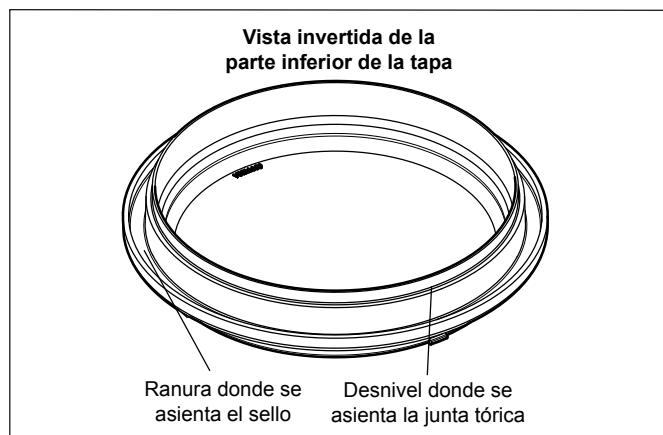
### ⚠ ADVERTENCIA

Debido al posible riesgo de incendios, descargas eléctricas o lesiones personales, las bombas Jandy deben instalarse en conformidad con National Electrical Code® (NEC®) en los EE. UU. o Canadian Electrical Code (CEC®) en Canadá. También deben cumplirse todos los códigos locales aplicables. Es posible conseguir el NEC al comunicarse con National Fire Protection Association® (NFPA®) al 1-800-344-3555 o al 1-617-770-3000.

3. Asegúrese de que todas las válvulas de aislamiento estén cerradas para evitar que el agua de la piscina llegue a la bomba.
4. Siga las marcas del anillo de bloqueo y gire el anillo en sentido antihorario hasta que las marcas de "START" (Inicio) se alineen con los puertos.
5. Quite con cuidado la tapa con el anillo de bloqueo.

#### 3.3.1.2 Reemplace la junta tórica azul

1. Gire la tapa con el anillo de bloqueo invertido y colóquela en una superficie estable.
2. Coloque la junta tórica azul en el desnivel ubicado a ¼" desde la parte inferior de la tapa. Consulte la Figura 5.



**Figura 5. Colocación de la junta tórica de prueba de presión azul**

3. Asegúrese de que la junta tórica esté asentada correctamente. Ayuda "colocar" la junta tórica en el desnivel en lugar de "hacerla rodar". Eso evita que caiga.

**NOTA** La junta tórica azul se asienta a aproximadamente ¼" de distancia del sello. Consulte la Figura 5.

4. Instale la tapa con cuidado. Asegúrese de que la junta tórica de prueba de presión azul se asiente en el alojamiento sin "adherirse" o "caerse".
5. Siga las marcas del anillo de bloqueo y alinee las marcas de 'START' (Inicio) con los puertos. Gire en sentido horario hasta que las marcas de 'LOCKED' (Bloqueado) se alineen con los puertos. *No apriete más allá de la marca de 'LOCKED' (Bloqueado).*

#### 3.3.1.3 Llevar a cabo la prueba de presión

### ⚠ ADVERTENCIA

Cuando se llevan a cabo pruebas de presión en un sistema con agua, con frecuencia queda aire atrapado en el sistema durante el proceso de llenado. Este aire se comprimirá cuando se presurice el sistema. Si el sistema falla, este aire atrapado puede propulsar residuos a alta velocidad y provocar lesiones. Se debe tomar todo el recaudo posible para eliminar el aire atrapado, incluido abrir la válvula de purga del filtro y aflojar la tapa de la canasta de la bomba en la bomba del filtro mientras se llena la bomba.

### ⚠ ADVERTENCIA

El aire atrapado en el sistema puede ocasionar que la tapa del filtro salga expulsada, lo que puede provocar la muerte, lesiones personales graves o daños materiales. Asegúrese de que todo el aire haya sido eliminado del sistema antes de operar. **NO USE AIRE COMPRIMIDO PARA LLEVAR A CABO PRUEBAS DE PRESIÓN O VERIFICAR QUE NO HAYA FUGAS.**

**⚠ ADVERTENCIA**

Al llevar a cabo pruebas de presión en el sistema con agua, es muy importante garantizar que la tapa de la canasta de la bomba en la bomba del filtro esté completamente asegurada.

**⚠ ADVERTENCIA**

No lleve a cabo pruebas de presión por arriba de 35 PSI. Un profesional de piscinas capacitado debe llevar a cabo las pruebas de presión. Un equipo de circulación que no se pruebe correctamente puede fallar, lo que puede ocasionar lesiones graves o daños materiales.

1. Llene el sistema de agua. Tenga cuidado de eliminar el aire atrapado.
2. Presurice el sistema con agua a no más de 35 PSI.
3. Cierre la válvula para atrapar el agua presurizada en el sistema.
4. Observe que no haya fugas ni reducción de la presión en el sistema.
5. Si hay fugas en la tapa, repita los pasos 1-3. Para el soporte técnico, llame al 800.822.7933.
6. Deseche la junta tórica de prueba de presión azul después de llevar a cabo la prueba correctamente.

**Sección 4. Operación****4.1 Puesta en marcha****⚠ PRECAUCIÓN**

Nunca haga funcionar la bomba sin agua. Si se hace funcionar la bomba "en seco" durante la cantidad de tiempo que sea, pueden ocurrir daños graves en la bomba y en el motor y se podría anular la garantía.

Si se trata de una instalación de piscina nueva, asegúrese de que ninguna de las tuberías tenga residuos de construcción y de que todas hayan sido sometidas correctamente a pruebas de presión. Debe verificarse que la instalación del filtro sea correcta y que todas las conexiones y abrazaderas estén fijadas según las recomendaciones del fabricante.

**⚠ ADVERTENCIA**

Para evitar riesgos de daños materiales, lesiones personales graves o la muerte, verifique que toda la corriente esté apagada antes de comenzar con este procedimiento.

1. Libere toda la presión del sistema y abra la válvula de seguridad del filtro.
2. Si la bomba está ubicada por debajo del nivel del agua de la piscina, al abrir la válvula de seguridad del filtro se cebará la bomba con agua.
3. Si la bomba está ubicada por arriba del nivel del agua de la piscina, quite la tapa y llene la canasta con agua antes de poner en marcha la bomba.
4. Antes de volver a colocar la tapa, verifique que no haya residuos alrededor del asiento de la junta tórica de la tapa. Los residuos alrededor del asiento de la junta tórica de la tapa causan fugas en el sistema y tornan difícil cebar la bomba.
5. Apriete la tapa a mano para que haya un sello hermético. No use ninguna herramienta para apretar la tapa: apriete solo a mano. Asegúrese de que todas las válvulas estén abiertas y por que las uniones estén ajustadas.
6. Encienda la energía a la bomba. A continuación, encienda la bomba.
7. Para motores trifásicos, confirme que la dirección de la rotación del motor coincida con la flecha direccional en la bomba. De lo contrario, la bomba podría fallar y, además, se podría anular la garantía.
8. Después de que el aire haya abandonado el filtro, cierre la válvula de seguridad.
9. La bomba debe cebarse. El tiempo que tarde en cebarse dependerá de la elevación y del largo del tubo usado en el tubo de suministro de succión. Consulte la *Sección 3.1.3.3* para obtener información acerca de la elevación y el tamaño de los tubos correctos.
10. Si la bomba no se ceba y se siguieron todas las instrucciones hasta este punto, verifique que no haya fugas de succión y, a continuación, repita los pasos 27.

**Sección 5. Servicio y mantenimiento****5.1 Mantenimiento de rutina**

Controle que no haya residuos en la canasta de la bomba a través de la tapa transparente de la bomba. Elimine cualquier residuo, porque, a medida que se acumulan residuos, comenzarán a bloquear el flujo de agua a través de la bomba. Mantenga la canasta limpia para mejorar el desempeño de la bomba.

1. Corte la energía de la bomba. Si la bomba está ubicada por debajo del nivel del agua, cierre las válvulas de aislamiento de los lados de succión y de descarga de la bomba para evitar el reflujos de agua.

- Gire el anillo de bloqueo de la tapa en sentido antihorario hasta que “START” (Inicio) se alinee con los puertos. (Puede usar una herramienta como palanca para abrir la tapa, pero **nunca para apretar la tapa** al cerrarla). Quite la tapa con cuidado.

## PRECAUCIÓN

Si la canasta está mal alineada, la tapa se asentará incorrectamente, lo que producirá una fuga de aire, y esto puede provocar daños en la bomba.

- Levante la canasta y sáquela de la bomba.
- Elimine los residuos y limpie bien la canasta. Asegúrese de que todos los orificios estén abiertos. Con una manguera de jardín, aplique agua a la canasta desde afuera para ayudar a desobstruir los orificios. Use las manos para quitar cualquier residuo que permanezca.
- Vuelva a colocar la canasta en la bomba. Para ello, alinee la apertura con el tubo de succión. Si se alinea correctamente, la canasta caerá fácilmente en su lugar. **No la fuerce para que encaje en su lugar.**
- Antes de volver a colocar la tapa, verifique que no haya residuos alrededor del asiento de la junta tórica de la tapa, ya que causarán fugas de aire hacia el sistema. Limpie la junta tórica de la tapa y colóquela en la tapa.
- Apriete la tapa a mano para que haya un sello hermético. **No use ninguna herramienta para apretar la tapa: apriete solo a mano.**
- Verifique que todas las válvulas hayan regresado a la posición correcta para el funcionamiento normal.
- Abra la válvula de seguridad del filtro y asegúrese de que esté limpia y lista para la operación.
- Encienda la energía a la bomba. Después de que todo el aire se haya evacuado del filtro, cierre la válvula de seguridad.

## 5.2 Preparación de la bomba para el invierno

### PRECAUCIÓN

La bomba **debe** protegerse cuando se esperen temperaturas por debajo del punto de congelamiento. Si se permite que la bomba se congele, se producirán daños graves y se podría anular la garantía.

## PRECAUCIÓN

**¡No use soluciones anticongelantes en los sistemas de la piscina, del hidromasaje o del jacuzzi!** El anticongelante es extremadamente tóxico y puede dañar el sistema de circulación. La única excepción es el propilenglicol. Para mayor información, visite su tienda local de suministros para piscinas/hidromasajes o comuníquese con una empresa de servicio de piscina cualificada.

- Drene **toda** el agua de la bomba, del equipo del sistema y de la tubería.
- Quite los dos tapones de vaciado. Guarde los tapones de vaciado en un lugar seguro y vuelva a instalarlos cuando finalice la estación de clima frío. **No pierda las juntas tóricas.** (Tapón de vaciado con conjunto de junta tórica, R0446000)
- Mantenga cubierto y seco el motor.

- NOTA** No cubra la bomba con plástico, ya que se puede crear condensación y esa humedad dañará la bomba. La mejor manera de proteger la bomba es que un técnico de servicio o electricista cualificado desconecte correctamente el cableado eléctrico en el interruptor o en la caja de empalmes. Después de cortar el suministro eléctrico, se pueden aflojar las dos uniones y la bomba se puede guardar en interiores. Por seguridad, y para evitar el ingreso de contaminantes, reinstale todas las cubiertas de la caja de distribución y de la caja de terminales.
- Cuando vuelva a abrir el sistema para su operación, asegúrese de que todas las tuberías, las válvulas, los cableados y los equipos estén en conformidad con las recomendaciones del fabricante. Preste mucha atención al filtro y a las conexiones eléctricas.
  - Se debe cebar la bomba antes del arranque. Consulte la *Sección 4.1, Arranque*.

## Sección 6. Resolución de problemas

Zodiac Pool Systems LLC recomienda con énfasis que llame a un técnico de servicio cualificado para llevar a cabo cualquier reparación en el sistema del filtro/de la bomba. Para ubicar a una empresa de servicio independiente, consulte las páginas amarillas locales o visite [www.zodiacpoolsystems.com](http://www.zodiacpoolsystems.com) y haga clic en "Support" (Soporte).

### 6.1 Resolución de problemas

Síntoma	Posible problema/solución
El sistema de limpieza/ circulación no está funcionando correctamente.	<p>Verifique que las canastas del recolector, la canasta de la bomba y otras pantallas estén limpias. Limpie según sea necesario.</p> <p>Verifique el filtro y límpielo según sea necesario.</p> <p>Verifique la posición de las válvulas. Ajuste según resulte necesario.</p> <p><b>NOTA</b> Múltiples piezas de equipos que funcionan a la vez (por ejemplo, cascadas, chorros de hidromasajes y retornos superficiales) pueden evitar que el sistema de limpieza funcione correctamente.</p> <p>Verifique el sistema de limpieza manualmente para asegurar que el sistema esté ajustado según las recomendaciones del fabricante.</p>
Presencia de burbujas en la canasta de la bomba.	<p>Hay aire en el sistema. Verifique el nivel del agua de la piscina o del hidromasaje para asegurar que sea correcto y que no entre aire a las tuberías de succión. Si el agua está al nivel normal, apague la bomba. Quite la tapa y verifique que no haya residuos alrededor del asiento de la junta tórica de la tapa o una instalación incorrecta del sello de la tapa, ya que cualquiera de estas situaciones ocasionará fugas de aire hacia el sistema. Limpie la junta tórica de la tapa y colóquela en la tapa. Apriete la tapa a mano para que haya un sello hermético. <b>No use ninguna herramienta para apretar la tapa.</b> Vuelva a encender la bomba.</p>
Todavía hay fugas de aire presentes.	<p>Verifique la unión de la tubería del lado de succión. Con la bomba en funcionamiento, intente apretar la unión. Si esto no detiene la fuga de aire, apague la bomba. Afloje ambas uniones y deslice la bomba fuera del lugar. Extraiga, limpie y vuelva a instalar ambas juntas tóricas de la unión.</p> <p>Vuelva a posicionar la bomba junto a la tubería y fije las tuercas de la unión a la bomba. Con juntas tóricas de unión limpias, apriete a mano las uniones para crear un sello. Si las uniones todavía no se sellan, apriete levemente con una pinza con ranura y lengüeta.</p> <p><b>No apriete en exceso.</b></p>
No hay aire en el sistema pero la presión continúa siendo baja.	<p>Es posible que haya residuos atrapados en el impulsor de la bomba. El impulsor de la bomba mueve el agua, y los álabes del impulsor pueden bloquearse con residuos.</p> <ol style="list-style-type: none"> <li>1. Apague la bomba. Apague el disyuntor del motor de la bomba.</li> <li>2. Quite la tapa y la canasta.</li> <li>3. Busque residuos dentro de la bomba. Elimine cualquier residuo que haya encontrado dentro.</li> <li>4. Vuelva a colocar la canasta y la tapa.</li> <li>5. Encienda el disyuntor del motor de la bomba.</li> <li>6. Encienda la bomba y vea si se resolvió el problema.</li> <li>7. Si el impulsor continúa bloqueado con residuos y no es posible eliminarlos con los pasos 2 a 4, es necesario desarmar la bomba para acceder a la entrada y a la salida del impulsor.</li> </ol>

Síntoma	Posible problema/solución
No hay residuos que bloqueen el impulsor y la presión continúa siendo baja.	El impulsor de la bomba y el difusor muestran señales de desgaste normal. Indique a un técnico de servicio calificado que verifique el impulsor y el difusor y que los reemplace según resulte necesario.  Si la bomba es parte de una instalación relativamente nueva, puede tratarse de un problema eléctrico. Comuníquese con un técnico de servicio calificado. Indique al técnico que verifique que no haya conexiones eléctricas sueltas y verifique el voltaje en el motor de la bomba mientras está en funcionamiento. El voltaje debe estar dentro del 10 % de la clasificación nominal de la placa de datos del motor. Si el voltaje no está dentro del 10 %, comuníquese con un electricista calificado y/o con el proveedor de servicio de energía local.
Hay fugas de agua en la bomba entre el motor y el cuerpo de la bomba.	Esto es provocado por un sello mecánico dañado o defectuoso. El sello de la bomba tiene fugas de aire. Indique a un técnico de servicio calificado que reemplace el sello.
La bomba se calienta y se apaga periódicamente.	Asegúrese de que haya espacio suficiente alrededor del motor para hacer circular aire y mantener el motor fresco. Indique a un electricista calificado que verifique que no haya conexiones eléctricas sueltas y que verifique el voltaje en el motor de la bomba mientras está en funcionamiento. El voltaje debe estar dentro del 10 % de la clasificación nominal de la placa de datos del motor. Si el voltaje no está dentro del 10 %, comuníquese con un electricista calificado y/o con el proveedor de servicio de energía local.

## Sección 7. Especificaciones de piezas, productos y datos técnicos

### 7.1 Lista de repuestos

Para pedir o comprar piezas para las bombas Zodiac®, comuníquese con el distribuidor de Zodiac más cercano.

Si el distribuidor de Zodiac no puede proporcionarle lo que necesita, comuníquese con el soporte técnico de Zodiac al 800.822.7933 o envíe un mensajes de correo electrónico a: [productsupport@fluidra.com](mailto:productsupport@fluidra.com)

N.º de clave	Descripción	Modelo N.º (HP)	N.º de pedido de la pieza
1	Motor de una velocidad y tornillería, SHPF	0.50	R0445114
1	Motor de una velocidad y tornillería, SHPF	0.75	R0445101
1	Motor de una velocidad y tornillería, SHPF	1.0	R0445102
1	Motor de una velocidad y tornillería, SHPF	1.5	R0445103
1	Motor de una velocidad y tornillería, SHPF	2.0	R0445104
1	Motor de una velocidad y tornillería, SHPF	3.0	R0445105
1	Motor de una velocidad y tornillería, SHPF	5.0	R0490200
1	Motor de una velocidad y tornillería, SHPM	0.75	R0479301
1	Motor de una velocidad y tornillería, SHPM	1.0	R0479302
1	Motor de una velocidad y tornillería, SHPM	1.5	R0479303
1	Motor de una velocidad y tornillería, SHPM	2.0	R0479304
1	Motor de una velocidad y tornillería, SHPM	2.5	R0479305
1	Motor de dos velocidades y tornillería, SHPM	1.5	R0479307
1	Motor de dos velocidades y tornillería, SHPM	2.0	R0479308
1	Motor de dos velocidades y tornillería, SHPM	2.5	R0479309
1	Motor de una velocidad y tornillería, SHPF, trifásico	1.0	R0479101
1	Motor de una velocidad y tornillería, SHPF, trifásico	1.5	R0479102
1	Motor de una velocidad y tornillería, SHPF, trifásico	2.0	R0479103
1	Motor de una velocidad y tornillería, SHPF, trifásico	3.0	R0479104
1	Motor de dos velocidades y tornillería, SHPF	1.0	R0445113
1	Motor de dos velocidades y tornillería, SHPF	1.5	R0445106
1	Motor de dos velocidades y tornillería, SHPF	2.0	R0445107

N.º de clave	Descripción	Modelo N.º (HP)	N.º de pedido de la pieza
2	Kit de la placa de apoyo con tornillería, junta tórica y sellos mecánicos, SHPF/SHPM	0.50-3.0	R0445200
2	Kit de la placa de apoyo con tornillería, junta tórica y sellos mecánicos, SHPF	5.0	R0445201
3	Kit de reemplazo del impulsor, SHPF	0.50	R0807204
3	Kit de reemplazo del impulsor, SHPF	0.75	R0807203
3	Kit de reemplazo del impulsor, SHPF	1.0, 1.0-2	R0807202
3	Kit de reemplazo del impulsor, SHPF	1.5, 1.5-2	R0807201
3	Kit de reemplazo del impulsor, SHPF	2.0, 2.0-2	R0807200
3	Kit de reemplazo del impulsor, SHPF	3.0	R0807205
3	Kit de reemplazo del impulsor, SHPF	5.0	R0807207
3	Kit de reemplazo del impulsor, SHPM	0.75	R0807204
3	Kit de reemplazo del impulsor, SHPM	1.0	R0807203
3	Kit de reemplazo del impulsor, SHPM	1.5	R0807202
3	Kit de reemplazo del impulsor, SHPM	2.0, 2.0-2	R0807201
3	Kit de reemplazo del impulsor, SHPM	2.5, 2.5-2	R0807200
3	Tornillo con junta tórica, autosellante	Todos	R0445302-06
4	Difusor con junta tórica y tornillería	0.50-3.0	R0445400
4	Difusor con junta tórica y tornillería	5.0	R0445401
5	Sello mecánico del eje (1 juego) (carbono y cerámica)	Todos	R0479400
6	Cuerpo, bomba, SHPF/SHPM	Todos	R0445601
7	Conjunto del pie de montaje del motor con tornillos, SHPF/SHPM	Todos	R0445700
8	Tapa con anillo de bloqueo y sello	Todos	R0445800
9	Junta tórica de prueba de presión azul	Todos	R0479000
10	Canasta de filtro de residuos de la bomba	Todos	R0445900
11	Tapón de vaciado con junta tórica (conjunto de 2)	Todos	R0446000
12	Pieza del extremo (2" por 2½") con junta tórica y tuerca de acople (juego de 2)	0.50-2.5	R0446101
12	Pieza del extremo (2½" por 3") con junta tórica y tuerca de acople (juego de 2)	3.0-5.0	R0446102
13	Sello de la tapa y junta tórica de la tapa (no se muestra la junta tórica de la tapa)	Todos	R0446200
14	Junta tórica, placa de apoyo	Todos	R0446300
15	Junta tórica, pieza del extremo (juego de 2)	Todos	R0446400
16	Tornillería, difusor/impulsor	0.50-3.0	R0446500
16	Tornillería, difusor/impulsor	5.0	R0446501
17	Pernos y arandelas de la placa posterior (juego de 8)	Todos	R0446600
18	Pernos y arandelas del motor (juego de 4)	Todos	R0446700
19	Tornillos, pie de montaje del motor	Todos	R0446800
20	SHPF5.0-3PH, motor de una velocidad TEFC y tornillería	5.0 HP, trifásico	R0479105
21	SHPF5.0-3PH, compartimiento de cableado del motor TEFC, kit del protector del ventilador (incluye todos los tornillos del sujetador de montaje)	5.0 HP, trifásico	R0895000



## 7.2 Vista ampliada

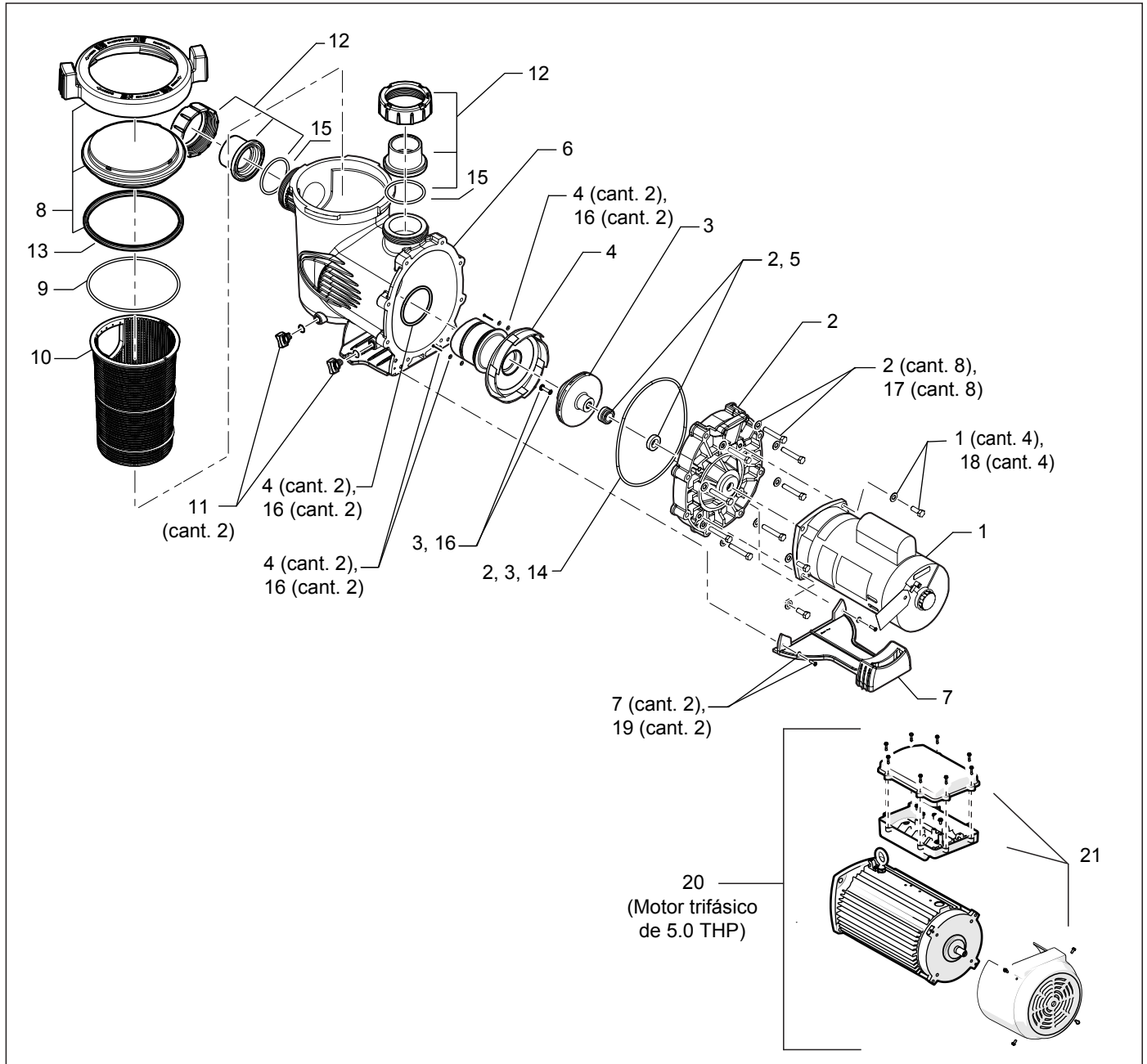
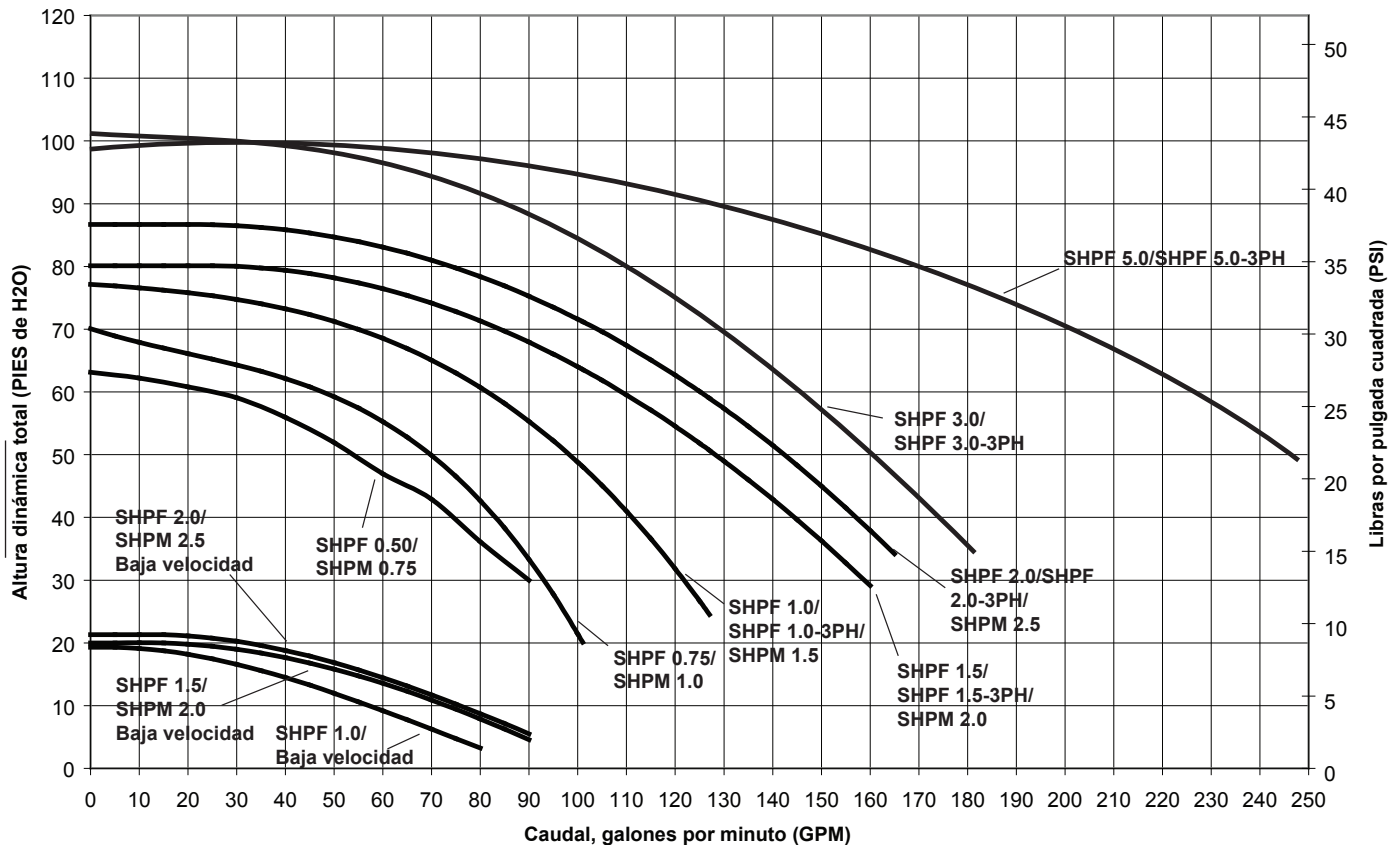


Figura 6. Vista ampliada de SHPF y SHPM

### 7.3 Curvas de las bombas SHPF y SHPM

Bombas de gran altura Jandy serie Stealth  
Capacidad nominal plena (SHPF) y capacidad nominal máxima (SHPM)



### 7.4 Especificaciones físicas y operativas

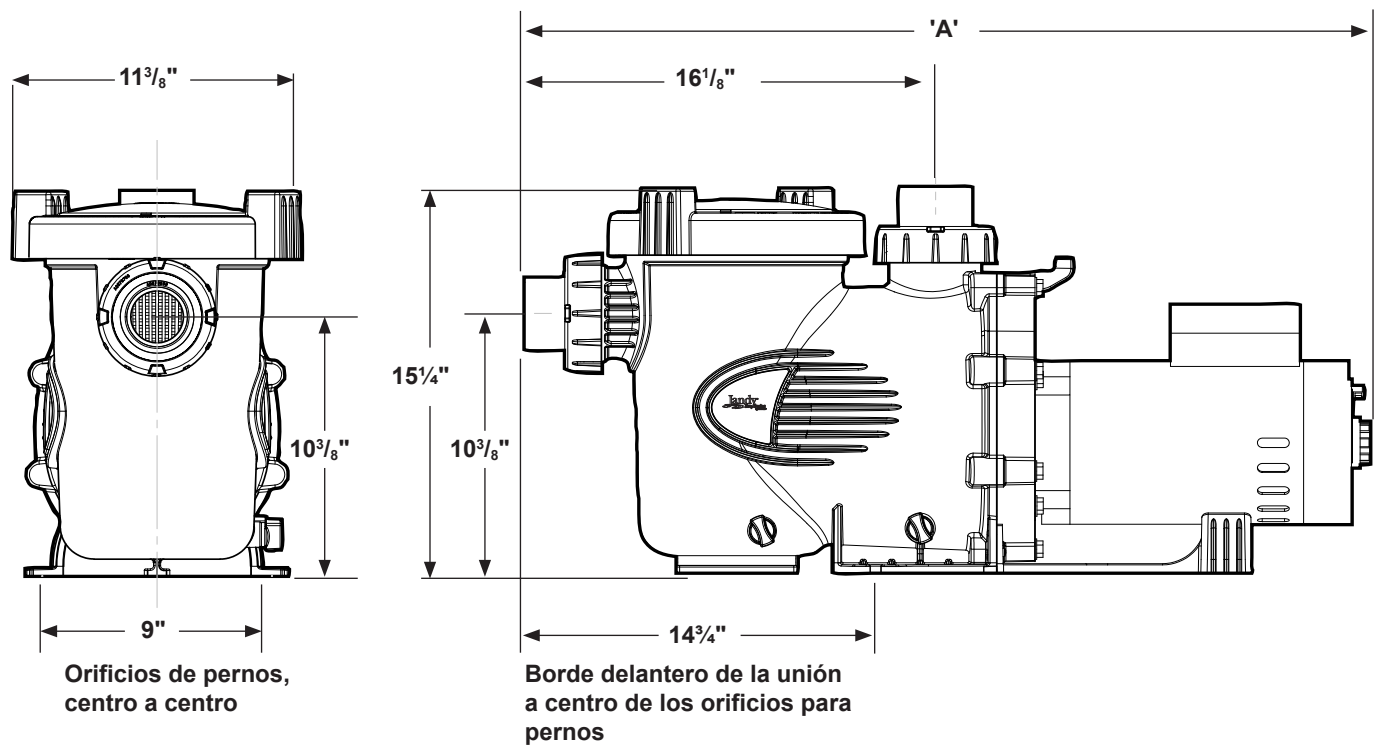
#### 7.4.1 Especificaciones de la bomba SHPF

N.º de modelo	HP	Voltaje	Amperios	Tamaño de tubo	Peso de la caja	Largo general "A"
SHPF.50	0.50	208-230/115	4.4-4.5/8.8	2-2½"	30 libras	31⅛"
SHPF.75	0.75	208-230/115	6.0-5.6/11.2	2-2½"	43 libras	31⅞"
SHPF1.0	1.0	208-230/115	7.8-7.4/14.8	2-2½"	45 libras	32¼"
SHPF1.5	1.5	208-230	9.6-8.8	2-2½"	50 libras	32⅝"
SHPF2.0	2.0	208-230	11.0-10.0	2-2½"	57 libras	33⅛"
SHPF3.0	3.0	208-230	15.0-13.6	2½-3"	63 libras	33⅛"
SHPF1.0-2	1.0	230	7.2/3.0	2-2½"	52 libras	33⅛"
SHPF1.5-2	2.0	230	10.0/3.5	2-2½"	57 libras	33⅝"
SHPF2.0-2	2.5	230	11.0/4.0	2-2½"	64 libras	33⅛"
SHPF1.0-3PH	1.0	208-230/460	5.0-4.6/2.3	2-2½"	55 libras	31⅞"
SHPF1.5-3PH	1.5	208-230/460	6.4-5.8/2.9	2-2½"	57 libras	32⅞"
SHPF2.0-3PH	2.0	208-230/460	7.1-6.8/3.4	2-2½"	64 libras	32⅝"
SHPF3.0-3PH	3.0	208-230/460	9.0-8.6/4.3	2½-3"	62 libras	32⅝"
SHPF5.0	5.0	230	19.4	4"	72 libras	33¾"
SHPF5.0-3PH	5.0	208-230/460	15.5-15.0/7.5	4"	95 libras	35"

### 7.4.2 Especificaciones de la bomba SHPM

N.º de modelo	HP	Voltaje	Amperios	Tamaño de tubo	Peso de la caja	Largo general "A"
SHPM.75	0.75	208-230/115	4.4-4.5/8.8	2-2½"	30 libras	31⅛"
SHPM1.0	1.0	208-230/115	6.0-5.6/11.2	2-2½"	43 libras	31⅞"
SHPM1.5	1.5	208-230/115	7.8-7.4/14.8	2-2½"	45 libras	32¼"
SHPM2.0	2.0	208-230	9.6-8.8	2-2½"	50 libras	32⅝"
SHPM2.5	2.5	208-230	11.0-10.0	2-2½"	57 libras	33⅛"
SHPM1.5-2	1.5	230	7.2/3.0	2-2½"	52 libras	32⅛"
SHPM2.0-2	2.0	230	10.0/3.5	2-2½"	57 libras	32⅝"
SHPM2.5-2	2.5	230	11.0/4.0	2-2½"	64 libras	33⅛"

### 7.4.3 Dimensiones de la bomba



**NOTA** Al instalar una bomba, deje un mínimo de dos pies (2 ft) de espacio libre por arriba de la bomba para quitar la canasta del filtro.

**Zodiac Pool Systems LLC**  
2882 Whiptail Loop # 100, Carlsbad, CA 92010  
**Zodiac Pool Systems Canada, Inc.**  
2-3365 Mainway, Burlington, ON L7M 1A6 Canadá

EE. UU. | Jandy.com | 1.800.822.7933  
Canadá | Jandy.ca | 1.888.647.4004



CUMPLE CON UL STD 1081  
CERTIFICADO SEGÚN CSA STD C22.2 NO 108