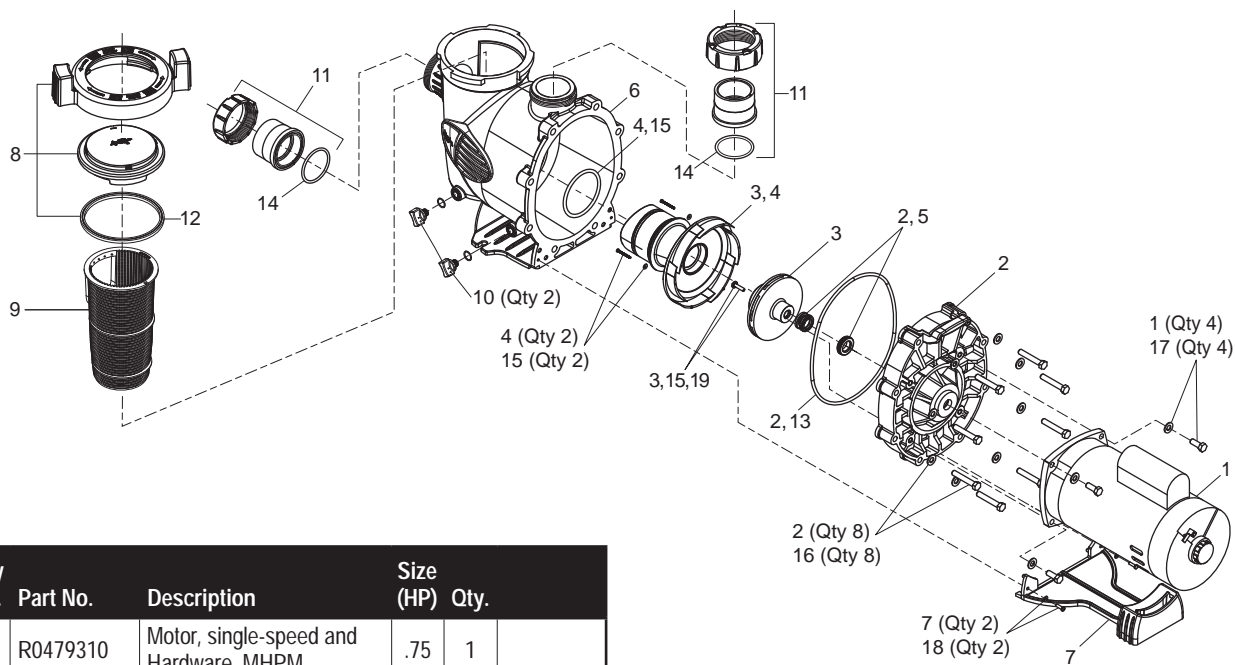


# PUMPS / FILTRATION PUMP PARTS

## Jandy® MaxHP Series Pump (Mfg. 2006–2010, Discontinued)

MHPM



Key No.	Part No.	Description	Size (HP)	Qty.
1	R0479310	Motor, single-speed and Hardware, MHPM	.75	1
1	R0479311	Motor, single-speed and Hardware, MHPM	1.0	1
1	R0479312	Motor, single-speed and Hardware, MHPM	1.5	1
1	R0479313	Motor, single-speed and Hardware, MHPM	2.0	1
1	R0479314	Motor, single-speed and Hardware, MHPM	2.5	1
2	R0445200	Backplate, MHPM Mechanical Seal, Carbon Mechanical Seal, Ceramic O-Ring Bolts Washers	All	1 1 1 8 8
3	R0449501	Impeller/Diffuser, Screw w/ O-Ring, MHPM	.75	1
3	R0449502	Impeller/Diffuser, Screw w/ O-Ring, MHPM	1.0	1
3	R0449503	Impeller/Diffuser, Screw w/ O-Ring, MHPM	1.5	1
3	R0449504	Impeller/Diffuser, Screw w/ O-Ring, MHPM	2.0	1
3	R0449505	Impeller/Diffuser, Screw w/ O-Ring, MHPM	2.5	1
4	R0445400	Diffuser Screw Washer O-Ring	All	1 2 2 2
5	R0479400	Mechanical Seal, Carbon Mechanical Seal, Ceramic	All	1 1
6	R0448701	Body, Pump, MHPM	All	1
7	R0445700	Motor Mounting Foot Assembly, MHPM Screws	All	1 2

Key No.	Part No.	Description	Size (HP)	Qty.
8	R0448800	Locking Ring Lid Lid Seal	All	1 1 1
9	R0448900	Filter Basket	All	1
10	R0446000	Plug, Drain O-Ring	All	2 2
11	R0449000	Tail Piece (2" x 2 1/2") Coupling Nut O-Ring	All	2 2 2
12	R0449100	Lid Seal w/ O-Ring (Lid O-Ring not shown)	All	1
13	R0446300	O-Ring, Backplate	All	1
14	R0449200	O-Ring, Tail Piece	All	2
15	R0446500	<b>Diffuser/Impeller Hardware</b> Screw w/ O-Ring, Self-sealing, Impeller Mounting Screw, Diffuser Mounting Washer, Diffuser Mounting O-Ring, Diffuser	All	1 2 2 2
16	R0446600	<b>Backplate Hardware</b> Bolts Washers	All	8 8
17	R0446700	<b>Motor Hardware</b> Bolts Washers	All	4 4
18	R0446800	Screws, Motor Mounting Foot	All	2