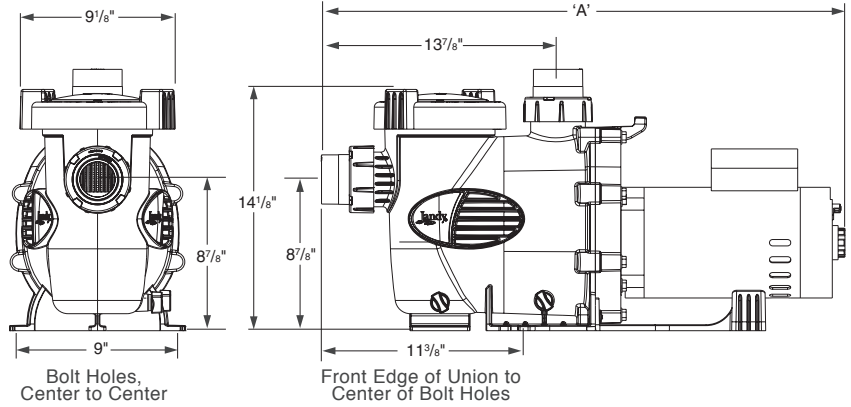




Technical Specifications

WaterFeature Pumps



Part No.	Description	GPM
Max (Up) Rated Pumps		
WFTR80	WaterFeature Medium Head Pump, 230/115VAC	80 GPM
WFTR120	WaterFeature Medium Head Pump, 230/115VAC	120 GPM
WFTR160	WaterFeature Medium Head Pump, 230VAC	160 GPM

WFTR Replacement Motor Guide		
Pump Model	A.O. Smith / Century	Emerson Motor Technologies
WFTR80	B853	EB853
WFTR120	B854	EB854
WFTR160	B840	EB840

WaterFeature Pump Specifications

WFTR Pump Specifications						
Model No.	GPM	Voltage	Amps	Pipe Size	Carton Weight	Overall Length 'A'
WFTR80	80 GPM	230/115	5.4/10.8	1 1/2–2"	40.6 lbs.	29 1/4"
WFTR120	120 GPM	230/115	8.0/16	2–2 1/2"	42.6 lbs.	29 1/4"
WFTR160	160 GPM	230	11.5	2 1/2–3"	48.6 lbs.	30"

When installing the pump, leave a minimum of 2 ft. of clearance above the pump for removal of strainer basket.

Recommended Minimum Wire Size (Awg) For WFTR Pumps*										
Distance from Sub-Panel			0–50 FEET		50–100 FEET		100–150 FEET		150 FEET–200 FEET	
Model	Branch Fuse AMPS Class: CC, G, H, J, K, RK, or T		Voltage		Voltage		Voltage		Voltage	
	230 VAC	115 VAC	230 VAC	115 VAC	230 VAC	115 VAC	230 VAC	115 VAC	230 VAC	115 VAC
WFTR 80	15A	20A	14	10	10	8	8	6	8	4
WFTR 120	15A	20A	12	10	10	6	8	6	6	4
WFTR 160	15A	NA	12	NA	8	NA	6	NA	6	NA

*Assumes three (3) copper conductors in a buried conduit and 3% maximum voltage loss in branch circuit. All National Electrical Code (NEC) and local codes must be followed. Table shows minimum wire size and branch fuse recommendations for typical installation per NEC.

WaterFeature Pump Specifications

