

IRON MIGHT™

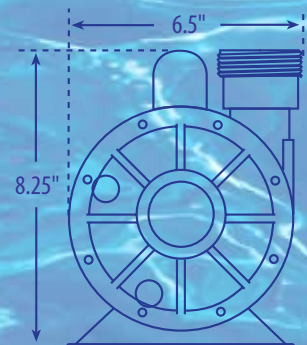
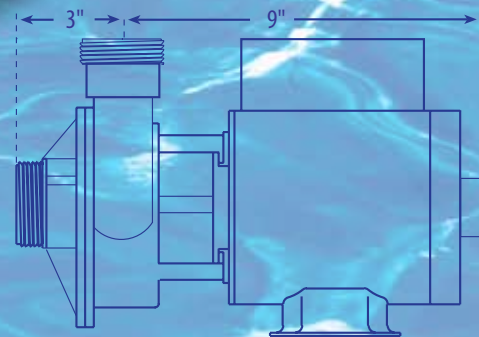
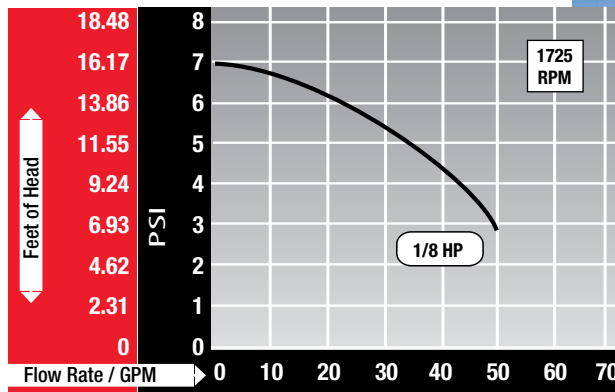
Circulating Pump

Features

- 24-hour circulation
- 48-frame proven design
- Side discharge for optimum flow
- Multiple union assemblies available
- Delivers 40 GPM
- 1/8 HP
- Only 0.63/1.3 Amps
- Viton seals
- 1 1/2" Intake and Discharge
- One year warranty



PRESSURE VS. FLOW RATE



IRON MIGHT 1-SPEED 48-FRAME CIRCULATING PUMPS

| Part No. | HP | Volts | Amps | HZ |
|------------|-----|-------|------|-------|
| 3410020-1E | 1/8 | 230 | 0.63 | 50/60 |
| 3410030-1E | 1/8 | 115 | 1.3 | 60 |



2200 East Sturgis Road, Oxnard CA 93030
 Phone 805.981.0262 • Fax 805.981.9403
www.waterwayplastics.com
waterway@waterwayplastics.com

