

Waterway

ClearWater II

CHLORINATOR

The **NEW ClearWater II In-Line Automatic Chlorinator** now features an **improved 100% shut-off dial valve**.

FEATURES:

- Easy-turn flow valve dial
- Large chamber body (White or Clear)
- Twelve (12) tablet capacity
- Enclosed internal saturation hose
- Check Valve to prevent back-flow of water from the Chlorinator



Easy-to-read, accurate and releases exactly the right amount of chlorine into your pool and spa.

NSF

Waterway



2200 E. Sturgis Rd., Oxnard CA 93030 • Phone 805.981.0262 • Fax 805.981.9403
waterway@waterwayplastics.com • www.waterwayplastics.com

ClearWater II

CHLORINATOR



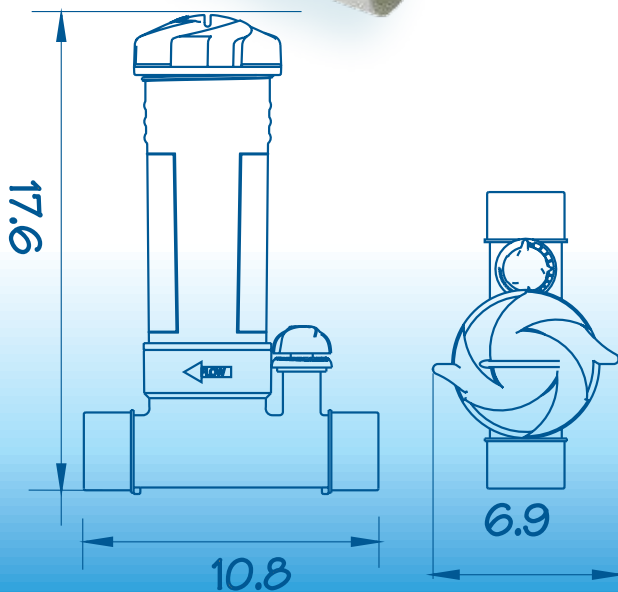
The ClearWater Chlorinator offers Two Body Styles:

- 2" Socket x 2½" Spigot (1½" reducers included)
- 1½" FPT

SPECIFICATIONS

| Part No. | Description | Color | Wt. (lbs) |
|------------|---|-------|-----------|
| CLC012 | In-line - 12 Tablet Feeder - 2" Socket | Clear | 4 ½ |
| CLC012-W | In-line - 12 Tablet Feeder - 2" Socket (12 tablet wt 5.25 lbs) | White | 4 ½ |
| CLC01212 | In-line - 12 Tablet Feeder - 1½" FPT | Clear | 4 ¾ |
| CLC01212-W | In-line - 12 Tablet Feeder - 1½" FPT (12 tablet wt 5.25 lbs) | White | 4 ¾ |
| 400-3090 | 1½" S Union for In-Line | | |
| 400-5200 | 2" S Union for In-Line | | |

The clear style chlorinators will lose clarity over time, depending on type of chlorine, weather conditions and usage.



Designed
Engineered &
Manufactured
in the USA.