

A-100NA

Fixed Speed

Dial Knob Control

60 second cycle timer



Features:

- Peristaltic pump design does not have valves that can clog requiring maintenance.
- Self priming - even against maximum line pressure. By-pass valves are not required. Cannot vapor lock or lose prime.
- Outputs to 250 ml/min (95.1 GPD).
- Output pressures to 100 PSI.
- Output volume is not effected by changes in back pressure.
- Patented pump tube design installs easily and stays centered on the rollers without manual adjustment.
- Two pump tubes supplied with each pump. No extra tubing required.
- Easy to use dial knob output control.
- 20:1 turndown ratio.
- Adjustable 60 second repeating interval timer. 3-60 second adjustable on time per 60 second cycle.
- Built-in Tube Failure Detection system (TFD). Senses chemical in the pump head, shuts off the pump and activates an NPN open collector output.
- Compatible with Blue-White's output flow verification sensor system.
- Durable housing of chemical resistant Valox (PBT) thermoplastic.

Specifications:

Max. working pressure:100 psig (6.9 bar)
Max. fluid temperature:130° F (54° C)
Max. ambient temperature: ..14° to 110° F/ -10° to 43° C
Output adjustment range:5-100%
Duty cycle:.....Continuous
Maximum viscosity:5,000 Centipoise
Maximum suction lift:30 ft. Water 0 psig
Maximum Solids:50% by volume
Enclosure:NEMA 3R, (IP23)
Approximate shipping wt: ...10 lb. (4.5 kg)

Voltage (max amp):115VAC/60Hz, 14 & 30 rpm = 1.37 amp
45 & 60 rpm = 1.87 amp
230VAC/60Hz, 14 & 30 rpm = 0.64 amp
45 & 60 rpm = 0.74 amp
220VAC/50Hz, 14 & 30 rpm = 0.68 amp
45 & 60 rpm = 1.14 amp
240VAC/50Hz, 14 & 30 rpm = 0.66 amp
45 & 60 rpm = 1.04 amp
Power Cord Plug Type:.....115V60Hz = NEMA 5/15 (USA)
230V60Hz = NEMA 6/15 (USA)
220V50Hz = CEE 7/VII (EUROPE)
240V50Hz = CEE 7/VII (U.K)

Materials of Construction:

Wetted components:

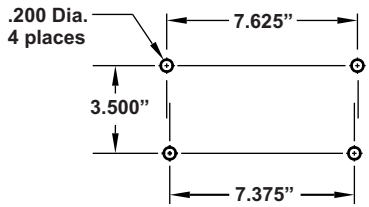
Pump Tube Assembly:Flex-A-Prene®, Flex-A-Thane® or FKM tubing
PVDF tube assembly connection fittings
Suction Tubing:Clear PVC
Suction Strainer:Natural Polypropylene
Discharge Tubing:Natural Polyethylene (LLDPE)
Injection/Check valve:
Body & insert:Polypropylene (optional PVDF)
Check Ball:Ceramic
Spring:Hastelloy C-276
Ball Seat O-ring:TFE/P (optional EP)
Static Seal O-ring:FKM (optional EP)

Non-Wetted components:

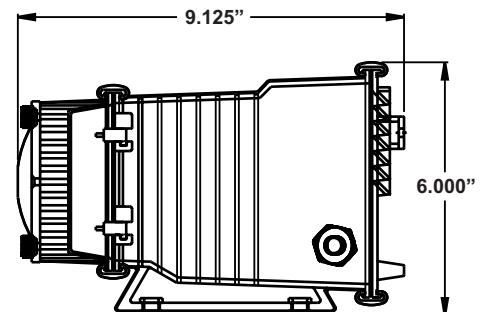
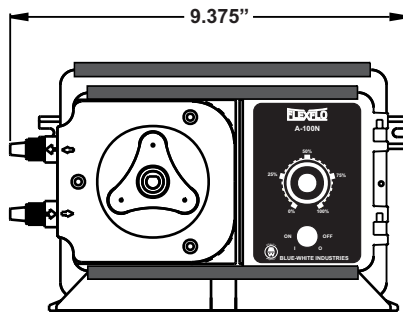
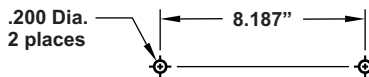
Pump Head & Enclosure:Valox® (PBT) thermoplastic
Pump Head Cover:Clear Acrylic
Cover Screws:300 Stainless, Polypropylene cap
Roller Assembly:
Rotor:Valox® (PBT)
Rollers:Nylon
Roller Bearings:Bronze
Motor Shaft:Nickel plated steel
TFD System Sensor pins:Hastelloy C-276
Power Cord:3 conductor, SJTW-A Water-resistant

Dimensions:

Base Mounting



Rear Panel Mounting



Model Number Matrix:

MODEL A1N [] [] A - [] [] - [] []

Maximum Motor RPM	
0	= 14 RPM
1	= 30 RPM
2	= 45 RPM
3	= 60 RPM

Power Supply	
0	= 115V60Hz
1	= 220V50Hz*
2	= 230V60Hz
8	= 240V50Hz

Output Control	
A	= Analog timer, 60 sec. Cycle - 100% duty
C	= Analog timer, 5 sec. Cycle - 100% duty
S	= Analog timer, 60 sec. Cycle - 10% duty
V	= Digital speed control with external input
F	= Analog speed control
E	= Digital batch timer with external input
Z	= Proportional feed system - JBox/Cord
X	= No output control - fixed feed rate

Miscellaneous Options (not required)	
1	= T140-6V injector replaces A-014N-6A
2	= C-340V footvalve replaces C-342-6 strainer
5	= A-014NK-6A injector PVDF
T7	= 7 gallon chemical tank system
T15	= 15 gallon chemical tank system
T30	= 30 gallon chemical tank system

Tubing Connection Type	
T	= Compression tube nuts

Pump Tube Size and Material	
1	= 1/4" OD Flex-A-Thane [®]
2	= 3/8" OD Flex-A-Thane [®]
3	= 7/16" OD Flex-A-Thane [®]
4	= 1/4" OD Flex-A-Prene [®]
5	= 5/16" OD FKM
6	= 3/8" OD Flex-A-Prene [®]
7	= 7/16" OD Flex-A-Prene [®]
8	= 7/16" OD Flex-A-Chem [®]

Maximum Flow rate and pressure capacities:

Tube no.	Tubing Material	14 RPM MODELS					30 RPM MODELS					45 RPM MODELS					60 RPM MODELS				
		ml/m	oz/m	lph	gph	PSI(bar)	ml/m	oz/m	lph	gph	PSI(bar)	ml/m	oz/m	lph	gph	PSI(bar)	ml/m	oz/m	lph	gph	PSI(bar)
1	Flex-A-Thane [®]	15	0.51	0.90	0.24	65(4.5)	35	1.18	2.10	0.55	65(4.5)	54	1.83	3.24	0.86	65(4.5)	67	2.26	4.02	1.06	65(4.5)
2	Flex-A-Thane [®]	32	1.08	1.92	0.51	65(4.5)	75	2.54	4.50	1.19	65(4.5)	115	3.89	6.90	1.82	65(4.5)	140	4.73	8.40	2.22	65(4.5)
3	Flex-A-Thane [®]	73	2.47	4.37	1.16	50(3.5)	173	5.85	10.38	2.74	50(3.5)	261	8.82	15.66	4.14	50(3.5)	326	11.01	19.56	5.17	50(3.5)
4	Flex-A-Prene [®]	6	0.20	0.36	0.10	100(6.9)	13	0.44	0.78	0.21	100(6.9)	21	0.71	1.26	0.33	100(6.9)	25	0.85	1.50	0.40	75(5.2)
5	FKM	11	0.37	0.66	0.17	25(1.7)	26	0.88	1.56	0.41	25(1.7)	39	1.31	2.34	0.62	25(1.7)	48	1.62	2.88	0.76	25(1.7)
6	Flex-A-Prene [®]	18	0.61	1.08	0.29	100(6.9)	42	1.42	2.52	0.67	100(6.9)	63	2.13	3.78	1.00	100(6.9)	79	2.67	4.74	1.25	75(5.2)
7	Flex-A-Prene [®]	57	1.92	3.42	0.90	50(3.5)	138	4.66	8.28	2.19	50(3.5)	200	6.76	12.00	3.17	50(3.5)	250	8.45	15.00	3.96	50(3.5)
8	Flex-A-Chem [®]	40	1.35	2.40	0.63	50(3.5)	84	2.80	5.04	1.31	50(3.5)	140	4.73	8.40	2.22	50(3.5)	180	6.10	10.80	2.85	50(3.5)

Gallons shown are U.S. Gallons

Replacement Pump Tubes:

Pump Model Number Suffix	Pump Tube Part Number	Pump Tube Material	Nominal Pump Tube OD
-1T	A1-1T	Flex-A-Thane [®]	1/4" (6,4mm)
-2T	A1-2T	Flex-A-Thane [®]	3/8" (9,5mm)
-3T	A1-3T	Flex-A-Thane [®]	7/16" (11,1mm)
-4T	A1-4T	Flex-A-Prene [®]	1/4" (6,4mm)
-5T	A1-5T	FKM	5/16" (7,9mm)
-6T	A1-6T	Flex-A-Prene [®]	3/8" (9,5mm)
-7T	A1-7T	Flex-A-Prene [®]	7/16" (11,1mm)
-8T	A1-8T	Flex-A-Chem [®]	7/16" (11,1mm)