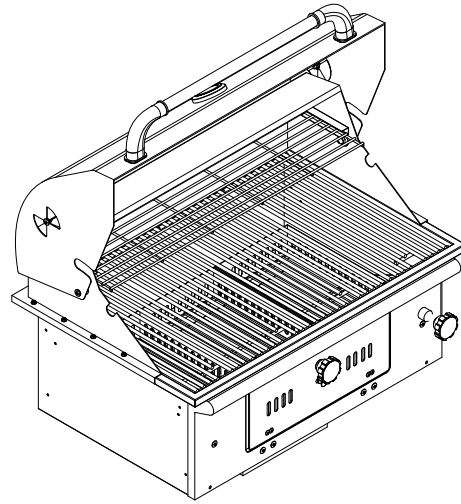
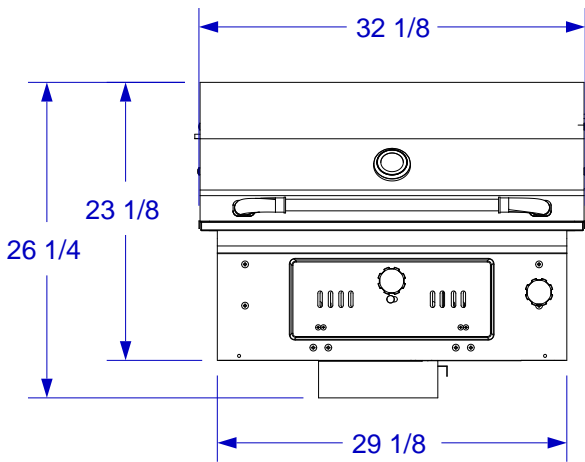




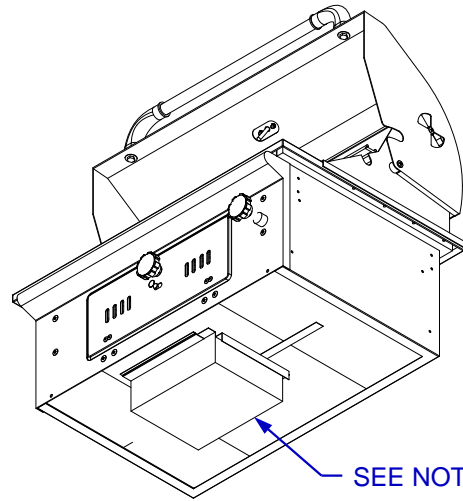
BISON CHARCOAL GRILL SPEC SHEET



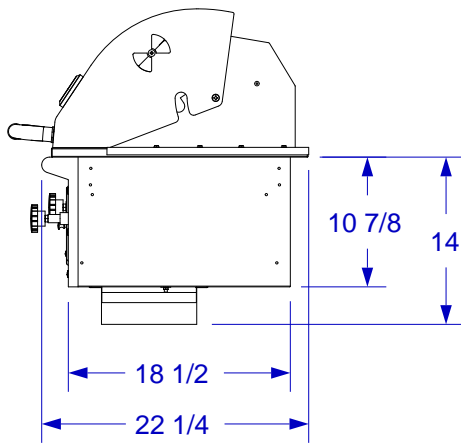
FRONT ISOMETRIC VIEW



FRONT VIEW



BOTTOM ISOMETRIC VIEW



RIGHT SIDE VIEW

NOTES:

1. CUTOUT DIMENSIONS: 29 1/2" X 17 1/2" X 11 1/2"
2. THE GRILL HAS A 10" X 10" X 3" ASH COLLECTION BOX THAT SLIDES OUT FROM THE RIGHT SIDE.
3. SCALE: 3/4" = 1'-0"
4. REVISION: 10/2009