




# HCP Series

## COMMERCIAL SELF-PRIMING PUMPS

Technologically advanced  
thermoplastic pumps  
from 5.5 to 12.5 hp



Hayward® Commercial HCP self-priming pumps provide a technologically advanced alternative to traditional bronze or cast iron pumps. Their lightweight, Noryl™ thermoplastic housings make one-man installation easy. The all-plastic housing construction and modern TEFC motor design afford a high level of protection and reliability in the commercial pump room environment. A transparent cover lid with tool-free opening mechanism allows visual inspection of the strainer basket, simplifying maintenance. Four pumps in the Hayward Commercial Series, ranging from 5.5 to 12.5 hp, allow right-sizing for most high-flow, medium head applications.

- Suitable for commercial swimming pools, spas and water features
- Lightweight, glass-reinforced Noryl™ hydraulic body
- Impeller and flange made from glass-reinforced Noryl for maximum strength-to-weight ratio
-  listed

# HCP Series COMMERCIAL SELF-PRIMING PUMPS

## FEATURES



NSF listed

- Tool-free opening mechanism, transparent lid design for easy inspection and maintenance
- High-capacity, non-corrosive strainer basket
- Durable, weight-saving Noryl™ thermoplastic pump housing
- Modern Totally Enclosed Fan Cooled (TEFC) motor design for greater protection and high reliability
- Elevated base ensures better ventilation, protection from flooding and improved serviceability



Transparent lid, allows visual inspection of the strainer basket

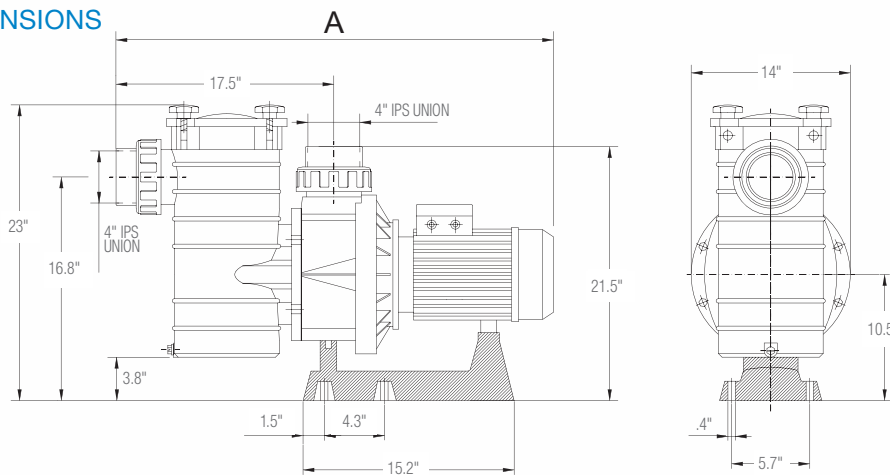


High-capacity, non-corrosive, all-plastic strainer basket



Tool-free, quick-release bolted lid mechanism for fast and easy access to strainer basket

## DIMENSIONS



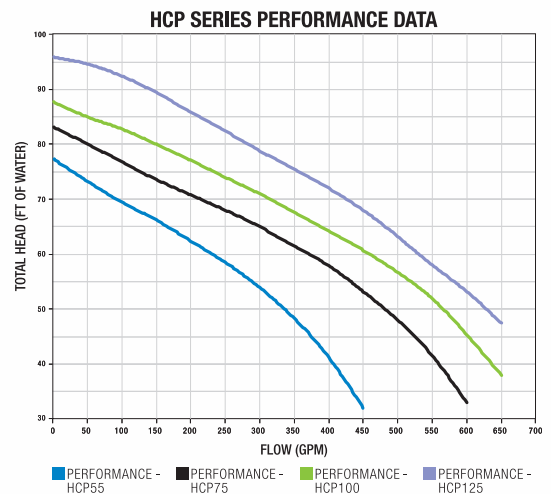
Model	HP	(A) Inch
HCP55	5.5	34.2
HCP75	7.5	36.0
HCP100	10.0	37.2
HCP125	12.5	37.2

## TECHNICAL SPECIFICATIONS AND PERFORMANCE DATA

Part Number	Horsepower	Voltage	Amps	Carton Quantity	Carton Weight (lbs.)
HCP55	5.5 hp	230/460 Three Phase	14.6/7.3	1	110.0
HCP75	7.5 hp	230/460 Three Phase	21/10.5	1	125.0
HCP100	10.0 hp	230/460 Three Phase	26.1/13	1	142.5
HCP125	12.5 hp	230/460 Three Phase	31.6/15.8	1	155.0

Pump Output (GPM) vs. Total Resistance to Flow (Feet of Head)

Part Number	Flow Rate (GPM)							
	25	30	35	40	45	50	55	60
HCP55	476	450	431	406	374	333	291	235
HCP75	641	614	588	561	526	481	430	369
HCP100	721	695	669	635	602	570	521	461
HCP125	815	776	739	709	668	631	580	536



All motors: Certified to UL 1004, IP 55 protection, insulation class F, 60 Hz., 3.550 R.P.M.



Hayward is a registered trademark of Hayward Industries, Inc. © 2010 Hayward Industries, Inc.

Contact your dedicated Hayward Commercial products team with questions: 1-800-657-2287 • 10101 Molecular Drive #200 • Rockville, MD 20850  
Visit us at: [www.hayward-commercial-pool.com](http://www.hayward-commercial-pool.com)