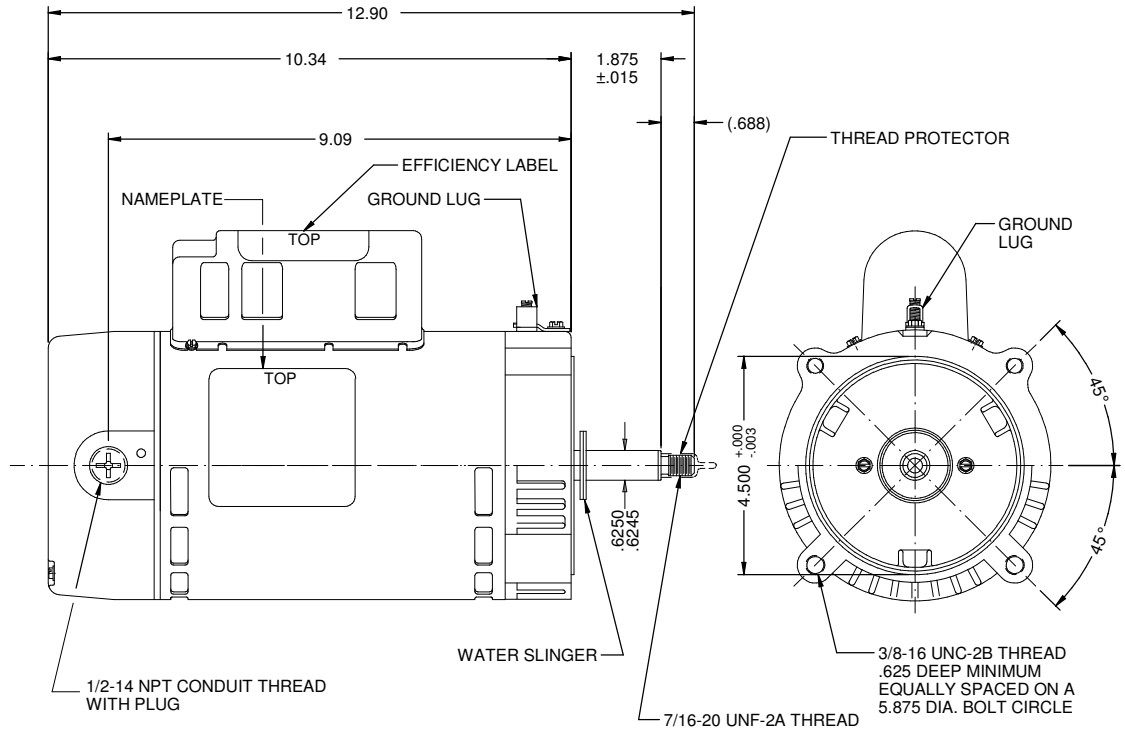
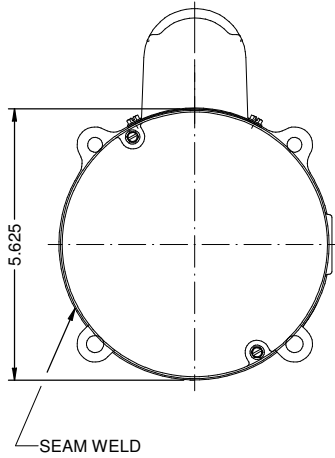


- NOTES:  
 1.) MOTOR TO BE SHIPPED CONNECTED FOR 230 VOLTS.  
 2.) SHAFT EXTENSION TO BE 303 STAINLESS STEEL.



CAT. NO.	S.F.AMPS	S.F.	PROTECTOR	BEARING
ECT1102	1.40	7.0/14.0	AUTOMATIC	BALL-BALL

MODEL	REF	CUSTOMER	HP	VOLTS	AMPS	HZ	RPM	ROTATION	CUSTOMER PN
T55CXCLW-1393		POOL AFTERMARKET	1.0	230/115		60	3450	CCW DRIVE END	

REV D

REV	REVISION RECORD FOR: C5177-29
1 OF 1	D UPDATED BACKGROUND TO NIDEC
27-MAR-12	
ISSUED BY	REVIEWED BY
J.PATROCINIO	J.I.SALAZAR
	ENGINEER APPROVED
	J.I.SALAZAR

INFORMATION DISCLOSED ON THIS DOCUMENT IS CONSIDERED PROPRIETARY AND SHALL NOT BE REPRODUCED OR DISCLOSED WITHOUT WRITTEN CONSENT OF NIDEC MOTOR CORPORATION

**NIDEC MOTOR CORPORATION**

ALL DIMENSIONS ARE FOR REFERENCE ONLY UNLESS TOLERANCE IS GIVEN

TITLE	CODE	ITEM NO.	SIZE
ASSEMBLED VIEW	V01	772614	B

NIDEC MOTOR CORPORATION 27-Mar-12

V01\_NMGB (MAR-2011)

SOUEDGE