

POOL
MODELS: 5350 THRU 8360 HEAT PUMP

CATALOG NO. RP9100.75
Effective: 08-01-17
Replaces: 05-01-17

RAYPAK ILLUSTRATED PARTS LIST

MODEL SIZE: 5350, 6350, 8350 & 8360

MODEL TYPE: HEAT PUMP POOL HEATER

DATES OF MANUFACTURE: 11-1-09 THRU CURRENT

1-1-12 THRU CURRENT - WEATHERKING MODEL W6350

9-1-12 THRU CURRENT - RUUD PRODUCTS

12-1-13 THRU CURRENT - WEATHERKING MODEL W8360

2-1-14 THRU CURRENT - QT MODELS 5350-6350

11-1-09 THRU 1-21-17 - MODELS 5350-8350 CLASSIC SERIES

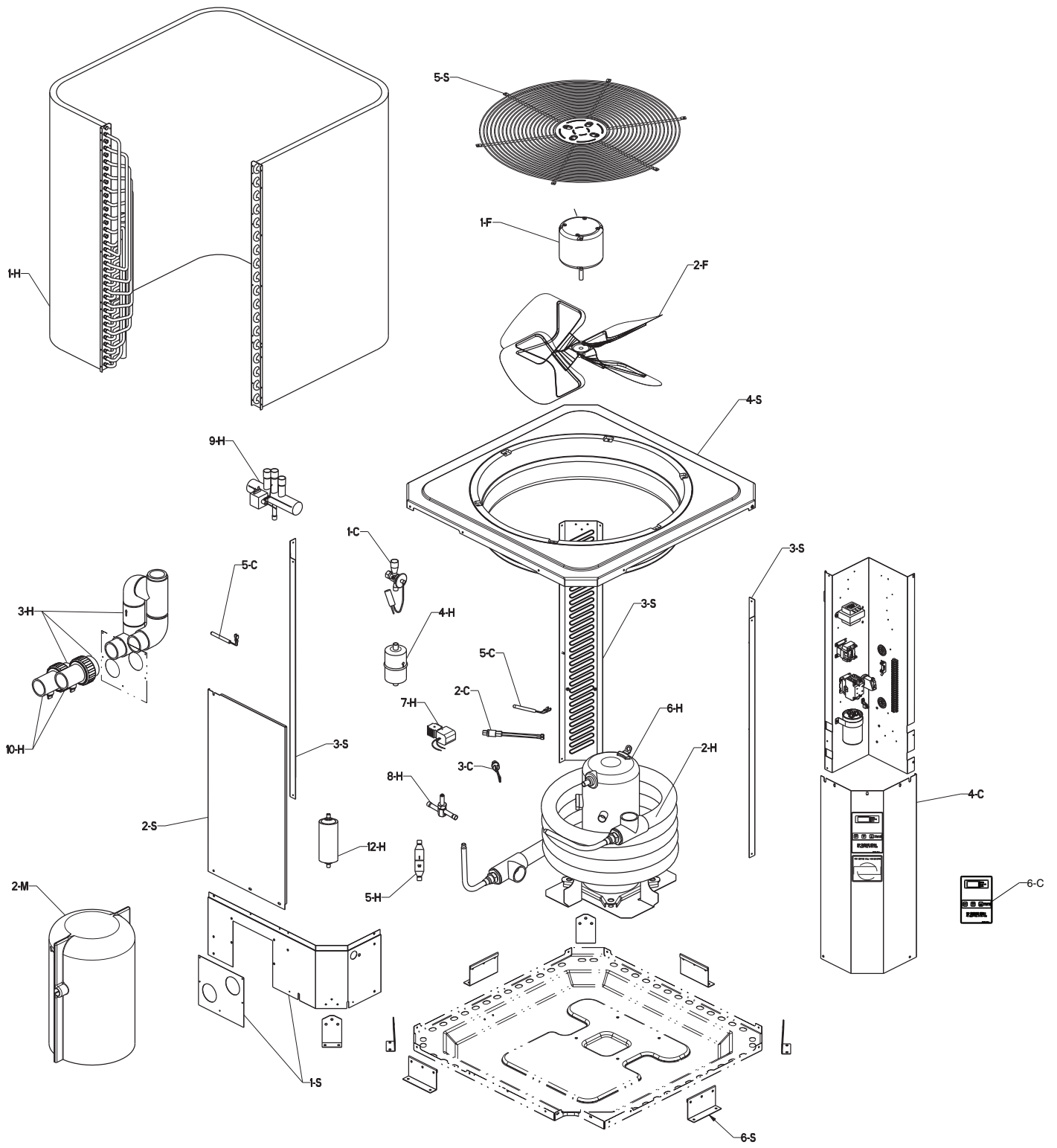
THE PARTS LISTED ARE FOR STANDARD EQUIPMENT FOR THIS MODEL TYPE. RAYPAK RESERVES THE RIGHT TO SUBSTITUTE, DELETE OR CHANGE ANY PART WITHOUT NOTIFICATION. THE ADDITION OF OPTIONS MAY ALSO CHANGE SOME OF THE PARTS. ORDER REPLACEMENT PARTS FROM ACTUAL HEATER COMPONENTS.



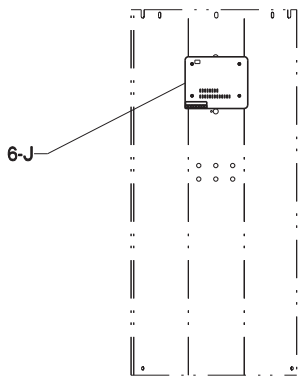
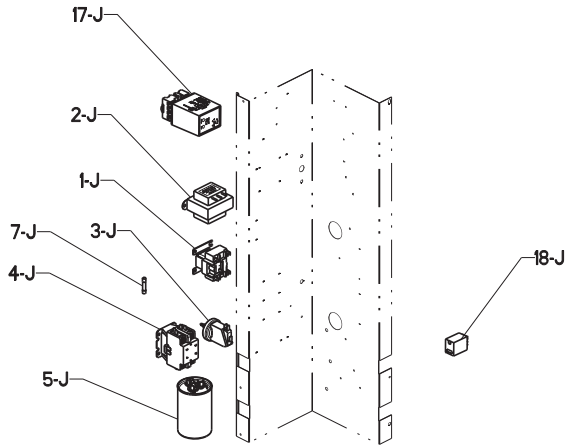
FOR DETAILED INSTRUCTIONS, SEE "HOW TO USE YOUR ILLUSTRATED PARTS LIST",
CATALOG NO. 9001.10



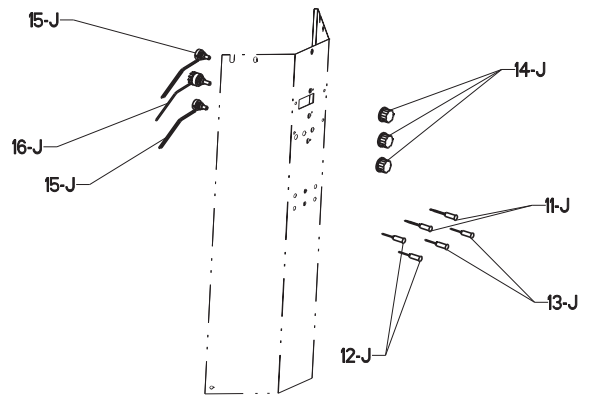
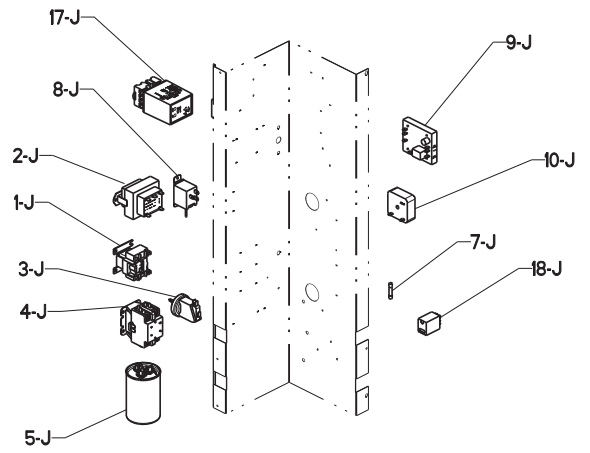
Raypak, Inc., 2151 Eastman Avenue, Oxnard, CA 93030
(805) 278-5300 Fax (800) 872-9725
Litho In U.S.A.



CALLOUT	DESCRIPTION	RAYPAK / RUUD			PERFECTEMP			WEATHERKING	
		R5350	R6350	R8350	P5350	P6350	P8350	W6350	W8360
		D5350	D6350	D8350					
C	CONTROLS								
1-C	TX Valve Heat Heat/Cool Power Defrost	H000076	H000173 H000076 H000173	H000077 H000173	H000076	H000173 H000076 H000173	H000077 H000173	H000173	H000077
2-C	Low Pressure Switch	H000078	H000078	H000078	H000078	H000078	H000078	H000078	H000078
3-C	High Pressure Switch	H000079	H000079	H000079	H000079	H000079	H000079	H000079	H000079
4-C	Control Cover Digital (Shown) (Includes 6-C) Green Chicory Warm Dark Gray Stainless Steel	H000052	H000052	H000052					
	Control Cover Analog Green Chicory Warm Dark Gray	H000222 H000224	H000222 H000224	H000222 H000224	H000099 H000222	H000099 H000222	H000099 H000222	H000290	H000301
6-C	Control Label Analog Digital	N/A H000330	N/A H000330	N/A H000330	N/A H000330	N/A H000330	N/A H000330	N/A H000330	N/A H000330
5-C	Temperature Sensor 10K	H000002	H000002	H000002	H000002	H000002	H000002	H000002	H000002
H	HEAT TRANSFER								
1-H	Evaporator Coil	H000016	H000018	H000020	H000016	H000018	H000020	H000018	H000304
2-H	Heat Exchanger	H000022	H000022	H000024	H000022	H000022	H000024	H000022	H000024
3-H	Bypass Assembly	H000042	H000042	H000042	H000042	H000042	H000042	H000042	H000042
10-H	PVC Union PVC Union with Built-In Drain	N/A H000317	N/A H000317	N/A H000317	N/A H000317	N/A H000317	N/A H000317	N/A H000317	N/A H000317
4-H	Liquid Line Drier Heat Heat/Cool (Bi-Flow)	H000011	H000011 H000004	H000011 H000004	H000011	H000011 H000004	H000011 H000004	H000011	H000011
5-H	Check Valve			H000006			H000006		
6-H	Compressor 1 PH 3 PH 3 PH 460V	H000010	H000012 H000171	H000014 H000110 H000109	H000010	H000012 H000171	H000014 H000110 H000109	H000012	H000014
11-H	Compressor Power Plug (Not Shown)	H000271	H000271	H000271	H000271	H000271	H000271	H000271	H000271
7-H	Solenoid Coil Power Defrost		H000107			H000107			
8-H	Solenoid Valve Power Defrost		H000108			H000108			
9-H	Reversing Valve Heat/Cool		H000136	H000136		H000136	H000136		
12-H	Receiver Power Defrost		H000246			H000246			
F	FAN								
1-F	Fan Motor (825 RPM) Fan Motor (825 RPM) w/Heat Sink (Heat/Cool) Fan Motor (1065 RPM)	H000296	H000296 H000298	H000296 H000298	H000296	H000296 H000298	H000296 H000298	H000296	H000296
	1PH/3PH 230V 3PH 460V	H000084	H000084	H000084 H000115	H000084	H000084	H000084 H000115	H000084	
2-F	Fan Blade (4-Blade) Fan Blade (3-Blade) (Not Shown) 1PH/3PH 230V (Includes 1-F, 5-J & 4 blade Fan) 3PH 460V	H000297	H000297	H000297	H000297	H000297	H000297	H000297	H000297
		H000342	H000342	H000343 H000116	H000342	H000342	H000343 H000116	H000342	



DIGITAL



ANALOG

CALLOUT	DESCRIPTION	RAYPAK / RUUD			PERFECTEMP			WEATHERKING	
		R5350	R6350	R8350	P5350	P6350	P8350	W6350	W8360
		D5350	D6350	D8350					
J	CONTROL BOX								
1-J	Fan Relay								
	SPST (Units manufactured prior to 4/1/13)	H000017	H000017	H000017	H000017	H000017	H000017	H000017	
	DPST (Units manufactured From 4/1/13)	H000299	H000299	H000299	H000299	H000299	H000299	H000299	H000299
2-J	Transformer								
	Digital	H000021	H000021	H000021	H000021	H000021	H000021	H000021	H000021
	Digital 3 PH		H000021	H000021		H000021	H000021		
	Analog	H000023	H000023		H000023	H000023	H000023		
	Analog 3 PH			H000023			H000023		
	Analog 3 PH 460V			H000112			H000112		
3-J	Water Pressure Switch	H000025	H000025	H000025	H000025	H000025	H000025	H000025	H000025
4-J	Contactora								
	1 PH	H000043	H000043	H000043	H000043	H000043	H000043	H000043	
	3 PH		H000114	H000114		H000114	H000114		
5-J	Capacitor								
	1 PH								
	(Units manufactured prior to 4/1/13)	H000080	H000080	H000081	H000080	H000080	H000081	H000080	
	(Units manufactured From 4/1/13)	H000127	H000127	H000051	H000127	H000127	H000051	H000127	H000051
	3 PH								
	(Units manufactured prior to 4/1/13)		H000117	H000117		H000117	H000117		
	(Units manufactured From 4/1/13)		H000265	H000265		H000265	H000265		
	3 PH 460V								
	(Units manufactured prior to 4/1/13)			H000113			H000113		
	(Units manufactured From 4/1/13)			H000265			H000265		
6-J	Control Board Digital	H000029	H000029	H000029	H000029	H000029	H000029	H000029	H000029
7-J	Fuse	H000001	H000001	H000001	H000001	H000001	H000001	H000001	H000001
8-J	Defrost Control Switch	H000065	H000065	H000065	H000065	H000065	H000065	H000065	
9-J	Control Board	H000035	H000035	H000035	H000035	H000035	H000035	H000035	
10-J	Delay on Break Timer	H000019	H000019	H000019	H000019	H000019	H000019	H000019	
11-J	Green LED	H000037	H000037	H000037	H000037	H000037	H000037	H000037	
12-J	Amber LED	H000039	H000039	H000039	H000039	H000039	H000039	H000039	
13-J	Red LED	H000041	H000041	H000041	H000041	H000041	H000041	H000041	
14-J	Knob	H000008	H000008	H000008	H000008	H000008	H000008	H000008	
15-J	Potentiometer	H000061	H000061	H000061	H000061	H000061	H000061	H000061	
16-J	Rotary Switch	H000057	H000057	H000057	H000057	H000057	H000057	H000057	
17-J	Monitor								
	Line Voltage 1 PH	H000291	H000291	H000291	H000291	H000291	H000291	H000291	
	3 Phase		H000111	H000111		H000111	H000111		
18-J	Controller Relay		H000003	H000003		H000003	H000003	H000003	H000003

CALLOUT	DESCRIPTION	RAYPAK / RUUD			PERFECTEMP			WEATHERKING	
		R5350	R6350	R8350	P5350	P6350	P8350	W6350	W8360
		D5350	D6350	D8350					
M	MISCELLANEOUS								
1-M	Touch-up Paint Green Chicory Warm Dark Gray	750125 750125 750125 750258	750125 750125 750125 750258	750125 750125 750125 750258	750250 750258	750250 750258	750250 750258	750258	750258
2-M	Compressor Sound Cover	H000316	H000316	H000316					
S	SHEETMETAL								
1-S	Electrical Input Panel Green Chicory Warm Dark Gray Stainless Steel	H000026 H000201 H000203	H000028 H000202 H000204	H000028 H000202 H000204	H000056 H000201	H000058 H000202	H000058 H000202	H000202	H000202
2-S	Access Panel Green Chicory Warm Dark Gray Stainless Steel	H000030 H000205 H000206	H000030 H000205 H000206	H000030 H000205 H000206	H000060 H000205	H000060 H000205	H000060 H000205	H000205	H000308
3-S	Corner Jacket Panel Green Chicory Warm Dark Gray Stainless Steel	H000032 H000231 H000216	H000034 H000232 H000217	H000034 H000232 H000217	H000062 H000231	H000064 H000232	H000064 H000232	H000232	H000309
4-S	Jacket Top Green Chicory Warm Dark Gray Stainless Steel	H000036 H000211 H000209	H000036 H000211 H000209	H000036 H000211 H000209	H000066 H000211	H000066 H000211	H000066 H000211	H000211	H000211
5-S	Grille Fan Guard	H000040	H000040	H000040	H000040	H000040	H000040	H000040	H000040
6-S	Hurricane Bracket Metal Cabinet Base Plastic Cabinet Base	H000321 H000322	H000321 H000322	H000321 H000322	H000321	H000321	H000321	H000321	H000321

* NOTE: R-410 A components not compatible with R22 units.



Registered Quality Management System

www.raypak.com