



# Installation and Operation Manual



## Nature2® Fusion Inground

**THIS SYSTEM INCLUDES A START-UP CARTRIDGE  
REQUIRES A NATURE2 MINERAL CARTRIDGE AFTER START-UP PERIOD  
(not included, see page 11 for more information)**

### **WARNING**

**FOR YOUR SAFETY - This product must be installed and serviced by a contractor who is licensed and qualified in pool equipment by the jurisdiction in which the product will be installed where such state or local requirements exist. In the event no such state or local requirement exists, the maintainer must be a professional with sufficient experience in pool equipment installation and maintenance so that all of the instructions in this manual can be followed exactly. Before installing this product, read and follow all warning notices and instructions that accompany this product. Failure to follow warning notices and instructions may result in property damage, personal injury, or death. Improper installation and/or operation will void the warranty.**



## Table of Contents

## Figures and Tables

**Section 1. Important Safety Instructions..... 3**

**Section 2. System Description ..... 5**

2.1 Product Description ..... 5

2.2 Product Specifications ..... 5

**Section 3. Installation Instructions ..... 6**

3.1 Materials and Tools ..... 6

3.2 Installation Requirements ..... 6

3.3 Anchoring the Vessel to the Equipment Pad .... 7

3.4 Nature<sup>2</sup> Fusion Installation ..... 8

3.5 Bypass Installation ..... 9

3.6 Split-Return Installation..... 10

**Section 4. Pool Water Preparation ..... 11**

4.1 Determining Pool Size (Gallons of Water in Your Pool) ..... 11

4.2 Determining Pool Size (Litres of Water in Your Pool) ..... 11

4.3 Selecting Cartridge Size ..... 11

4.4 Chemistry You Need to Know ..... 11

4.5 Optimum Pool Water Conditions ..... 12

4.6 Chlorine Stabilizer Information..... 13

**Section 5. Operating Instructions ..... 14**

5.1 Startup ..... 14

5.1.1 Start-up Cartridge Procedure..... 14

5.1.2 Shocking ..... 14

5.2 Filtration and Circulation ..... 14

5.3 Adding Chlorine Tablets..... 14

5.4 First Aid Instructions ..... 15

5.5 Recommendations..... 15

**Section 6. User Maintenance Instructions ..... 16**

6.1 Daily ..... 16

6.2 Weekly ..... 16

6.3 Monthly ..... 16

6.4 Nature<sup>2</sup> Cartridge Replacement..... 16

6.5 Winterizing ..... 17

6.6 Spring Start Up ..... 17

**Section 7. Troubleshooting 18**

7.1 Problems and Corrective Action ..... 18

**Section 8. Exploded Views and Replacement Kits ..... 19**

8.1 Nature<sup>2</sup> Fusion Inground Replacement Parts ... 19

Figure 1. Nature<sup>2</sup> Fusion Inground Components..... 5

Figure 2. Anchor Bracket Installation ..... 7

Figure 3. Nature<sup>2</sup> Fusion Installation Example ..... 8

Figure 4. Pipe Cutout ..... 8

Figure 5. Example of a Bypass Installation ..... 9

Figure 6. Nature<sup>2</sup> Fusion Split Return Installation ..... 10

Figure 7. Nature<sup>2</sup> Fusion Inground Vessel Exploded View..... 19

Table 1. Aproximate Pounds and Kilograms of Stabilizer Needed to Obtain 50 ppm..... 13



## Section 1. Important Safety Instructions

### READ AND FOLLOW ALL INSTRUCTIONS

When installing this equipment, basic safety precautions should always be followed, including the following:

#### WARNING

**EQUIPMENT UNDER PRESSURE:** Always turn pump off prior to installing or changing any Nature<sup>2</sup> vessel or cartridge or adding chlorine tablets. Your pump/filter system is operated under pressure and the pressure must be released before you begin work. Please see your pump/filter owner's manual for further instructions.

#### DANGER

**CHEMICAL USE HAZARD:** The Nature<sup>2</sup> Fusion is designed to use only Trichloro-S-Triazinetrione tablets - slow dissolving type. **Never mix or use with other types of chlorine or chemicals.** Explosion or fire may result.

- Exercise extreme caution when opening or servicing your feeder.
- Always shut off pump and available valves before opening. Do not inhale any fumes from any chemical feeder or container. Protect your eyes, skin and clothing from chemicals at all times.
- NEVER open chlorinator when pump is running.
- Make sure to slowly add the Tri-Chlor tablets to the feeder to avoid splashing of chlorinated water.
- To prevent build up of gas in chlorinator, be sure pool return line valve(s) is kept open - except when opening/servicing unit.
- Always read label and carefully follow chlorine manufacturer's and dealer's recommendations for proper water conditioning and daily chlorine requirements for your particular pool and area.

#### DANGER

To reduce the risk of injury, do not remove the suction fittings of your spa or hot tub. Never operate a spa or hot tub if the suction fittings are broken or missing. Never replace a suction fitting with one rated less than the flow rate marked on the equipment assembly.

#### WARNING

When mixing acid with water, **ALWAYS ADD ACID TO WATER. NEVER ADD WATER TO ACID.**

#### WARNING

**PREVENT CHILD DROWNING:** Do not let anyone, especially small children, sit, step, lean or climb on any equipment installed as part of your pool's operational system. Locate the components of your operational system at least three (3) feet from the pool so children cannot use the equipment to access the pool and be injured or drown.

#### WARNING

##### To Reduce the Risk of Injury -

- The water in a spa should never exceed 104°F (40°C). Water temperatures between 100°F (38°C) and 104°F (40°C) are considered safe for a healthy adult. Lower water temperatures are recommended for young children and when spa use exceeds 10 minutes.
- Since excessive water temperatures have a high potential for causing fetal damage during the early months of pregnancy, pregnant or possibly pregnant women should limit spa water temperatures to 100°F (38°C).
- Before entering a spa or hot tub, the user should measure the water temperature with an accurate thermometer since the tolerance of water temperature-regulating devices varies.
- The use of alcohol, drugs, or medication before or during spa or hot tub use may lead to unconsciousness with the possibility of drowning.
- Obese persons and persons with a history of heart disease, low or high blood pressure, circulatory system problems, or diabetes should consult a physician before using a spa.
- Persons using medication should consult a physician before using a spa or hot tub since some medication may induce drowsiness while other medication may affect heart rate, blood pressure, and circulation.

**⚠ WARNING**

- People with infectious diseases should not use a spa or hot tub.
- To avoid injury, exercise care when entering or exiting the spa or hot tub.
- Do not use drugs or alcohol before or during the use of a spa or hot tub to avoid unconsciousness and possible drowning.
- Pregnant or possibly pregnant women should consult a physician before using a spa or hot tub.
- Water temperature in excess of 100°F (38°C) may be injurious to your health.
- Before entering a spa or hot tub measure the water temperature with an accurate thermometer.
- Do not use a spa or hot tub immediately following strenuous exercise.
- Prolonged immersion in a spa or hot tub may be injurious to your health.
- Do not permit any electric appliance (such as a light, telephone, radio, or television) within five (5) feet (1.52m) of a spa or hot tub.
- The use of alcohol, drugs or medication can greatly increase the risk of fatal hyperthermia in hot tubs and spas.
- Water temperature in excess of 100°F (38°C) may be hazardous to your health.

**⚠ WARNING**

Prolonged immersion in hot water may induce hyperthermia. Hyperthermia occurs when the internal temperature of the body reaches a level several degrees above the normal body temperature of 98.6°F (37°C). The symptoms of hyperthermia include dizziness, fainting, drowsiness, lethargy, and an increase in the internal temperature of the body. The effects of hyperthermia include:

- Unawareness of impending danger;
- Failure to perceive heat;
- Failure to recognize the need to exit spa;
- Physical inability to exit spa;
- Fetal damage in pregnant women; and/or
- Unconsciousness resulting in a danger of drowning.

**⚠ CAUTION**

It is important to note that certain materials used in and around swimming pools and spas may not be compatible with chemicals commonly used to purify pool and spa water (e.g. acids, chlorine, salt, stabilizers, etc.).

As such, Zodiac Pool Systems, Inc. does not warrant or guarantee that the chlorinated water generated by the Nature<sup>2</sup> Fusion will not damage or destroy certain types of plants, decking, coping and other materials in and around your pool and/or spa. Before selecting materials to be used in and around your pool and/or spa, please discuss all options with your contractor to assess the compatibility of such materials and chemicals.

Some helpful considerations may include:

- Choosing plants that can withstand splash out of pool water containing chlorine and/or salt and other water purification chemicals.
- All metal components used in and around a pool should be of a high grade, quality stainless steel.
- Careful selection of masonry products. The porosity and hardness of natural stones varies greatly. Therefore we recommend you consult with your builder or stone contractor on the best choice for stone materials around your pool or spa.
- Sealing all masonry products. Professionals in the stone industry specify that even natural stone, especially when used outdoors, be sealed to prevent weathering, staining, and premature degradation. Consult with your stone or deck contractor for the proper sealer for the masonry products you have selected to use around your pool or spa.
- For optimal results, sealers should be reapplied on a regular basis. Reapply the protective sealer on a schedule per the manufacturer's instructions.

**SAVE THESE INSTRUCTIONS**

## Section 2. System Description

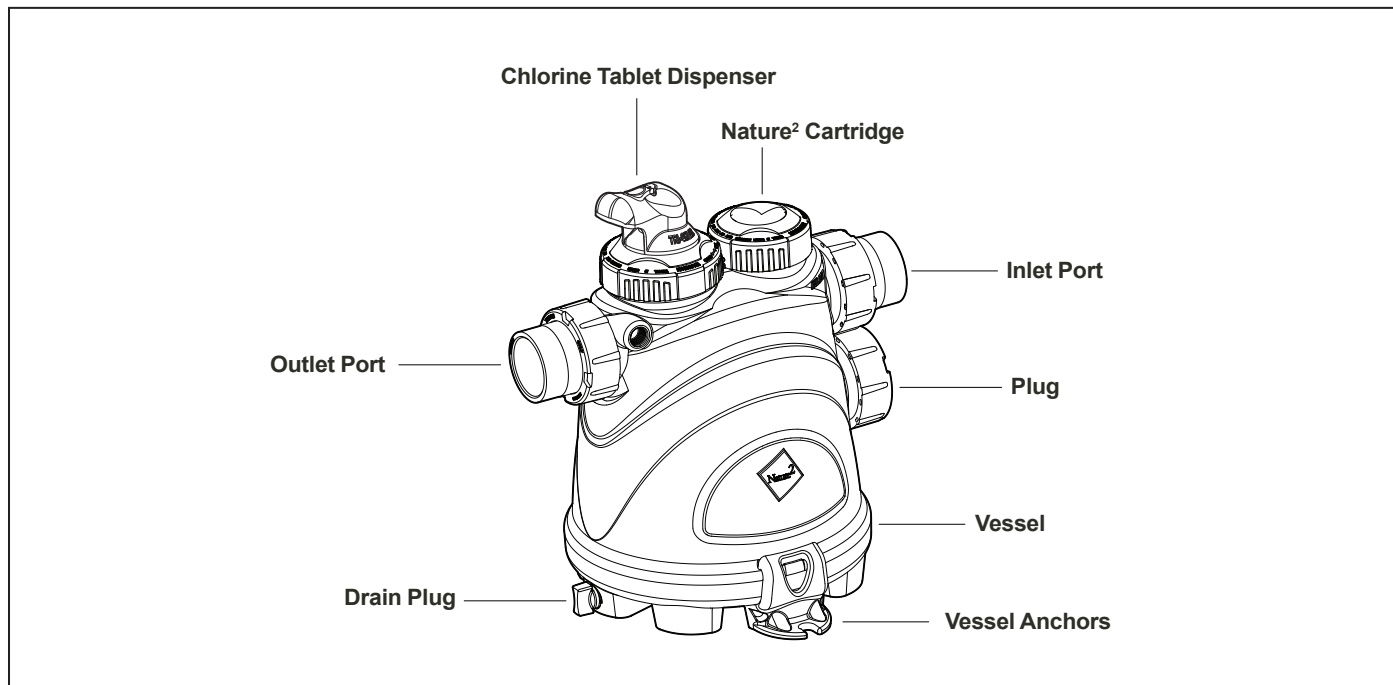


Figure 1. Nature<sup>2</sup> Fusion Inground Components

### 2.1 Product Description

The Nature<sup>2</sup> Fusion Inground system is an all-in-one mineral sanitizer and precision chlorine tablet dispenser that combines Nature<sup>2</sup> mineral-based technology with a tri-chlor tablet feeder. Nature<sup>2</sup> patented technology delivers controlled trace amounts of beneficial minerals to help maintain bacteria and algae-free pool.

### 2.2 Product Specifications

Capacity	For Pools up to 25,000 gal (95,000 L)	For Pools up to 35,000 gal (135,000 L)	For Pools up to 45,000 gal (170,000 L)
<b>Replacement Nature<sup>2</sup> cartridge</b> (sold separately) <b>Important:</b> The proper replacement cartridge model is indicated on the front label of the Nature <sup>2</sup> Fusion	DuoClear <sup>®</sup> 25 or Nature <sup>2</sup> Fusion 25 #W28000 (single) #W26000 (4-pack)	DuoClear 35 or Nature <sup>2</sup> Fusion 35 #W28001 (single) #W26001 (4-pack)	DuoClear 45 or Nature <sup>2</sup> Fusion 45 #W28002 (single) #W26002 (4-pack)
<b>Tri-Chlor tablet capacity</b> (Use slow dissolving Trichloro-S-Triazinetrione (Tri-Chlor) tablets only)	Approximately 4.36 lbs (2 kg) of ten 3" tabs, or almost 4 lbs (1.8 kg) of 1" tabs	Approximately 4.36 lbs (2 kg) of ten 3" tabs, or almost 4 lbs (1.8 kg) of 1" tabs	Approximately 4.36 lbs (2 kg) of ten 3" tabs, or almost 4 lbs (1.8 kg) of 1" tabs
<b>Maximum operating pressure</b>	50 psi	50 psi	50 psi
<b>Minimum flow rate</b>	30 gpm (114 lpm)	30 gpm (114 lpm)	30 gpm (114 lpm)
<b>Maximum flow rate</b>	120 gpm (455 lpm)	120 gpm (455 lpm)	120 gpm (455 lpm)
<b>Dimensions</b>	16.5"L x 16"H x 14.5"D (42 cm x 40 cm x 37 cm)	16.5"L x 16"H x 14.5"D (42 cm x 40 cm x 37 cm)	16.5"L x 16"H x 14.5"D (42 cm x 40 cm x 37 cm)
<b>Vessel weight</b>	10 lbs (4.5 kg)	10 lbs (4.5 kg)	10 lbs (4.5 kg)



## Section 3. Installation Instructions

### WARNING

**FOR YOUR SAFETY:** This product must be installed and serviced by a professional pool/spa service technician, as described on the front cover of this manual. The procedures in this manual must be followed exactly. Failure to follow warning notices and instructions may result in property damage, serious injury, or death. Improper installation and/or operation will void the warranty.

### WARNING

**EQUIPMENT UNDER PRESSURE:** Always turn pump off prior to installing or servicing the Nature<sup>2</sup> Fusion. Your pump/filter system is operated under pressure and the pressure must be released before you begin work. Please see your pump/filter owner's manual for further instructions.

### 3.1 Materials and Tools

Installation Materials Furnished	Tools Needed for Installation
Nature <sup>2</sup> Fusion Vessel with 2" (5 cm) - 2 1/2" (6.3 cm) Universal Unions Installation and Operation Manual	Tape Measure Phillips & Flathead Screwdrivers Pliers Hacksaw An NSF® approved All Purpose Cleaner Primer An NSF approved All Purpose Cement (such as Weld-On 794, 793)

### 3.2 Installation Requirements

Decide where to install the Nature<sup>2</sup> Fusion vessel.

- The vessel must be installed on a 17" (43 cm) length of pipe.
- The vessel must be installed on the existing pad or a concrete slab to support the weight.
- The vessel must be installed as the last piece of equipment in the circulation plumbing system just before the pool with the Nature<sup>2</sup> side as the inlet and the chlorine side as the outlet.
- The vessel must be installed downstream from the heater or heater damage may occur.
- If the vessel is installed below the pool water level, it must be installed with a check valve. The check valve will isolate the vessel and prevent pool draining during installation, cartridge change, or chlorine tablet addition.
- If plumbing size is greater than 2" (5 cm) diameter or if flow rates are greater than 120 gpm (455 lpm), the vessel must be installed in a bypass configuration (see Section 3.5).
- If the vessel is used with a water feature line system, it must be installed in a split-return configuration or vessel damage may occur (see Section 3.6).
- Never install the Nature<sup>2</sup> Fusion feeder directly into copper plumbing as pipe damage may occur. If brass or bronze backwash valves, or other sensitive metallic components are installed, consult your dealer for recommendations on your particular system.

### 3.3 Anchoring the Vessel to the Equipment Pad

In some areas, for example Florida, building codes require that all appliances be securely fastened to the equipment pad in order to withstand high wind pressures created by hurricanes. Please follow all local codes and standards.

**NOTE** Anchor screws and washers for securing the vessel to the equipment pad are not included with the vessel. Zodiac Pool Systems, Inc. ("Zodiac") recommends that a 2 1/4" X 1/4" (5.7 cm X 0.6 cm) long stainless steel Tapcon® concrete screw and stainless steel flat washer are used to mount each of the two (2) anchors in the base to the equipment pad. The Tapcon concrete screw meets Florida building code requirements.

1. Manually snap on the two (2) clip-type anchor brackets onto the side feet of the vessel as shown in Figure 2. Make sure these anchor brackets are attached firmly to the feet of the vessel.
2. Place the vessel on the pad and mark the location of each hole of the anchor brackets on the concrete pad.
3. Drill a 5/32" (0.5 cm) hole in the concrete at each of the two (2) hole locations of the anchor brackets. The correct size concrete drill bit should be obtained when the concrete screws are purchased.
4. Install the Tapcon screws and washers into each of the two (2) holes to secure the vessel to the equipment pad. Do not over-torque the screws.

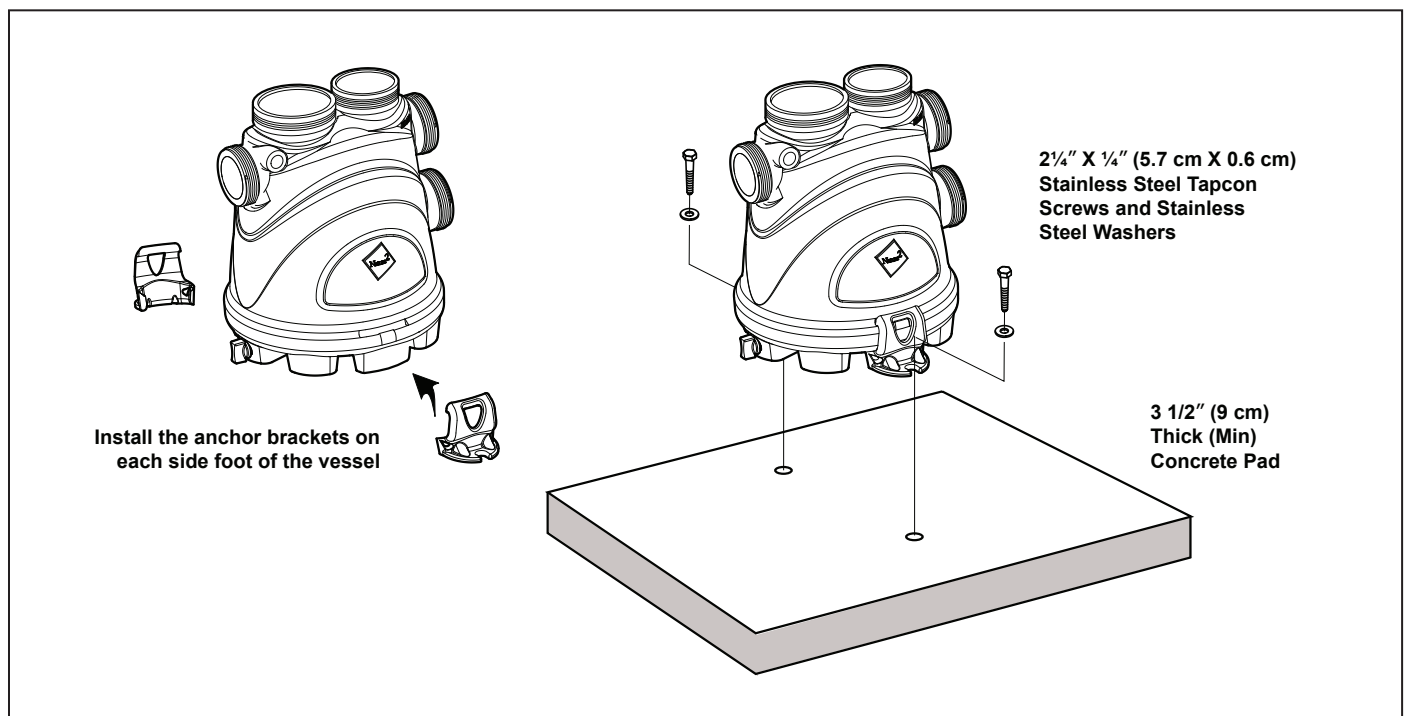
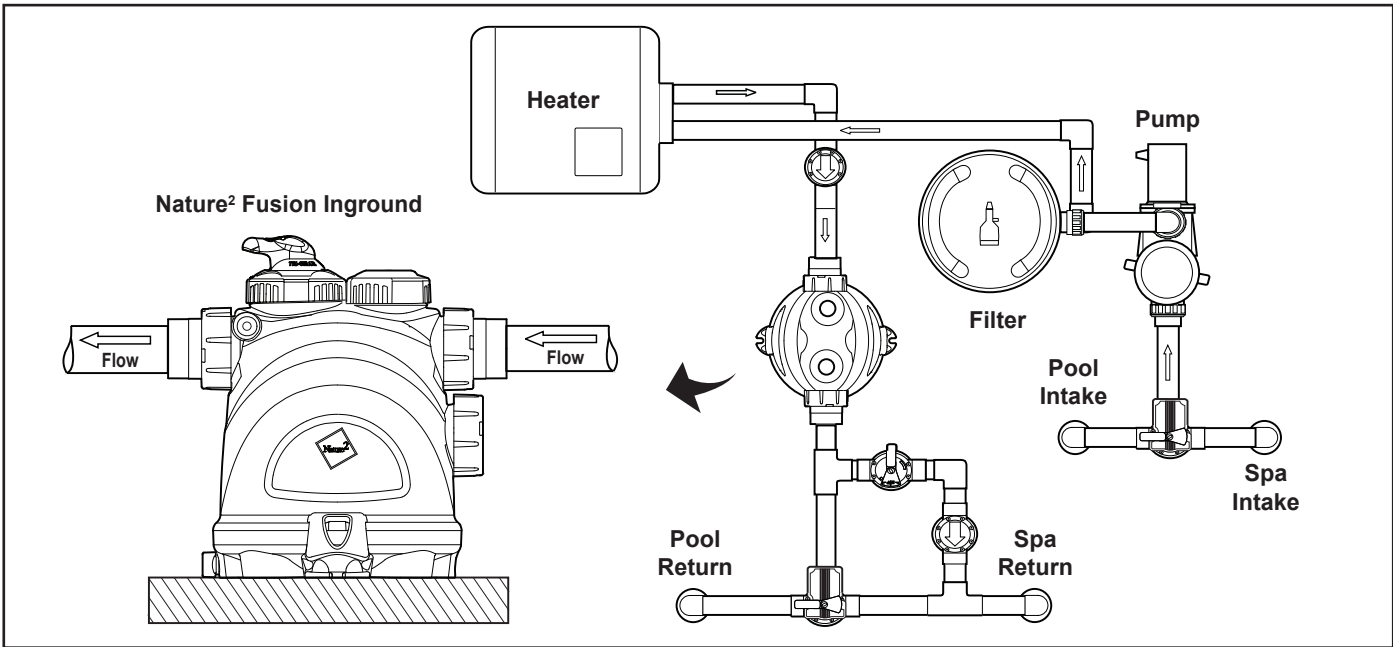


Figure 2. Anchor Bracket Installation



### 3.4 Nature<sup>2</sup> Fusion Installation

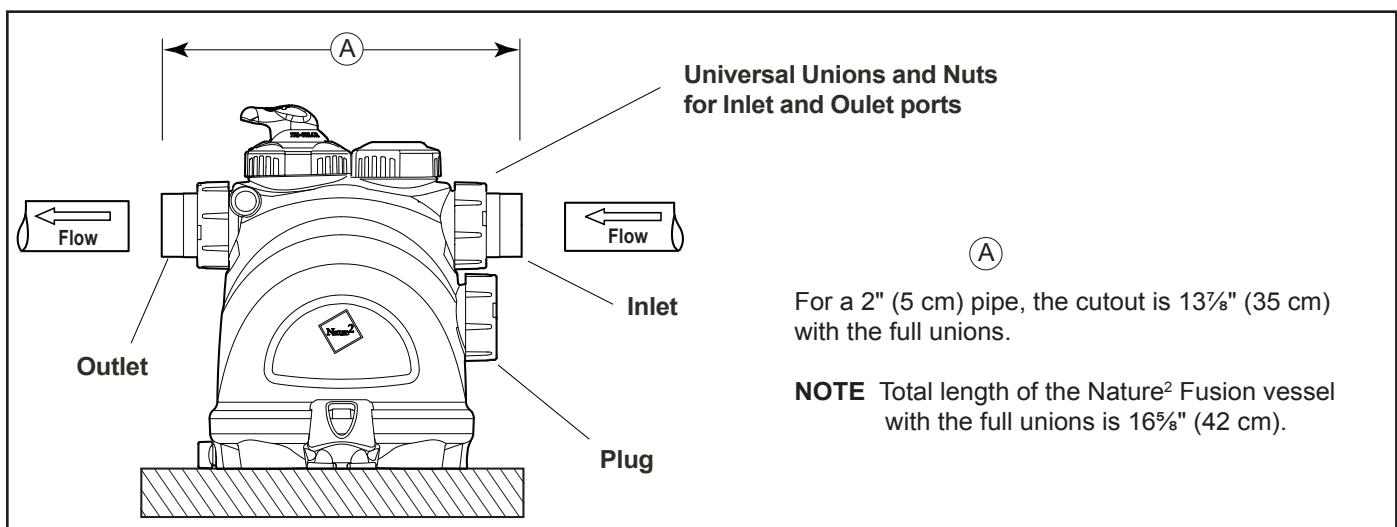


**Figure 3. Nature<sup>2</sup> Fusion Installation Example**

1. Make sure the pool pump is turned off.
2. Remove the temporary cap on the cartridge side of the vessel, and install the Nature<sup>2</sup> start-up cartridge included in the box.
3. Locate a suitable section of pipe to install the vessel, approximately 17" (43 cm) long, that conforms to the installation requirements outlined in Section 3.2.
4. Cut out a 13<sup>7</sup>/<sub>8</sub>" (35 cm) section of the 2" (or 5 cm) pipe to insert the vessel (see Figure 4).
5. Connect the outlet from the filter or heater to the vessel inlet port with the appropriate Schedule 40 PVC pipe; secure the connection with a pipe glue that is compatible with PVC.

**NOTE** Reducer bushings can be used to accommodate 1.5" (3.8 cm) plumbing with no effect on the operation of the Nature<sup>2</sup> Fusion.

6. Connect the vessel outlet port to the pool return line with the same type of PVC pipe and secure the connection with pipe glue. Allow sufficient time for the glue to dry.



**Figure 4. Pipe Cutout**

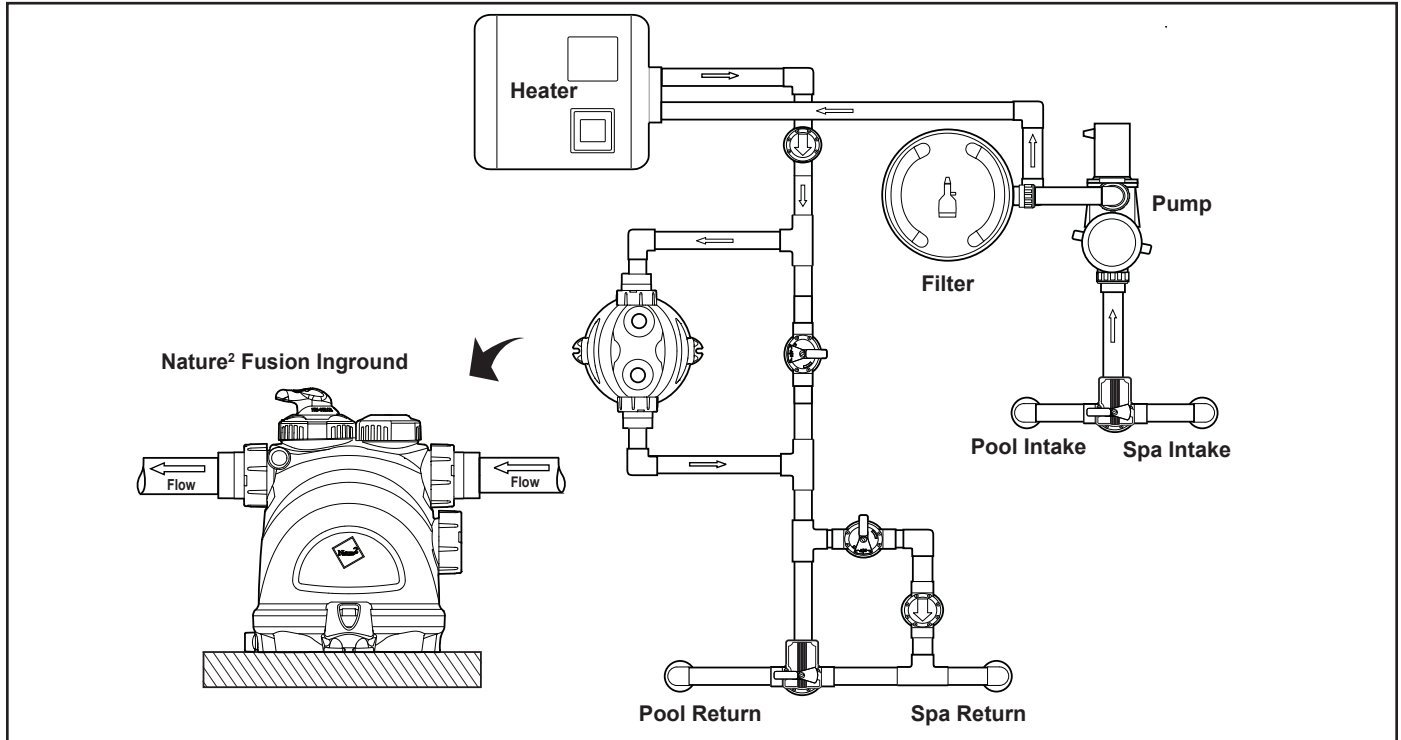


7. Hand tighten all unions, plug, and collars.

**⚠ CAUTION**

Be careful not to get finger caught between inlet union and plug when tightening as this may cause an injury.

8. Start the pump and check for leaks.



**Figure 5. Example of a Bypass Installation**

### 3.5 Bypass Installation

If plumbing size is greater than 2" (5 cm) diameter or if flow rates are greater than 120 gpm (455 lpm), the vessel MUST be plumbed on by-pass. It is recommended that 2" (5 cm) PVC Schedule 40 pipe is used to plumb the by-pass line. A control valve must be installed to regulate the flow through the vessel. It can be installed on the inlet side of the vessel or between the inlet and discharge side of the bypass piping (see Figure 5).

1. Make sure the pool pump is turned off.
2. Remove the temporary cap on the cartridge side of the vessel, and install the Nature<sup>2</sup> start-up cartridge included in the box.
3. Locate a suitable section of pipe in the by-pass line to install the vessel, approximately 17" (43 cm) long, that conforms to the installation requirements outlined in Section 3.2.
4. Install tees in the return line to allow water to be diverted to the vessel.
5. Connect the bypass line from the first tee to the inlet of the vessel and from the outlet of the vessel to the second tee.
6. Install a control valve in the return line between the first and second tee or prior to the vessel inlet on the bypass line to control the water flow through the bypass.
7. Fully open any closed valves, including the control valve, and start the pump diverting water through the new bypass.

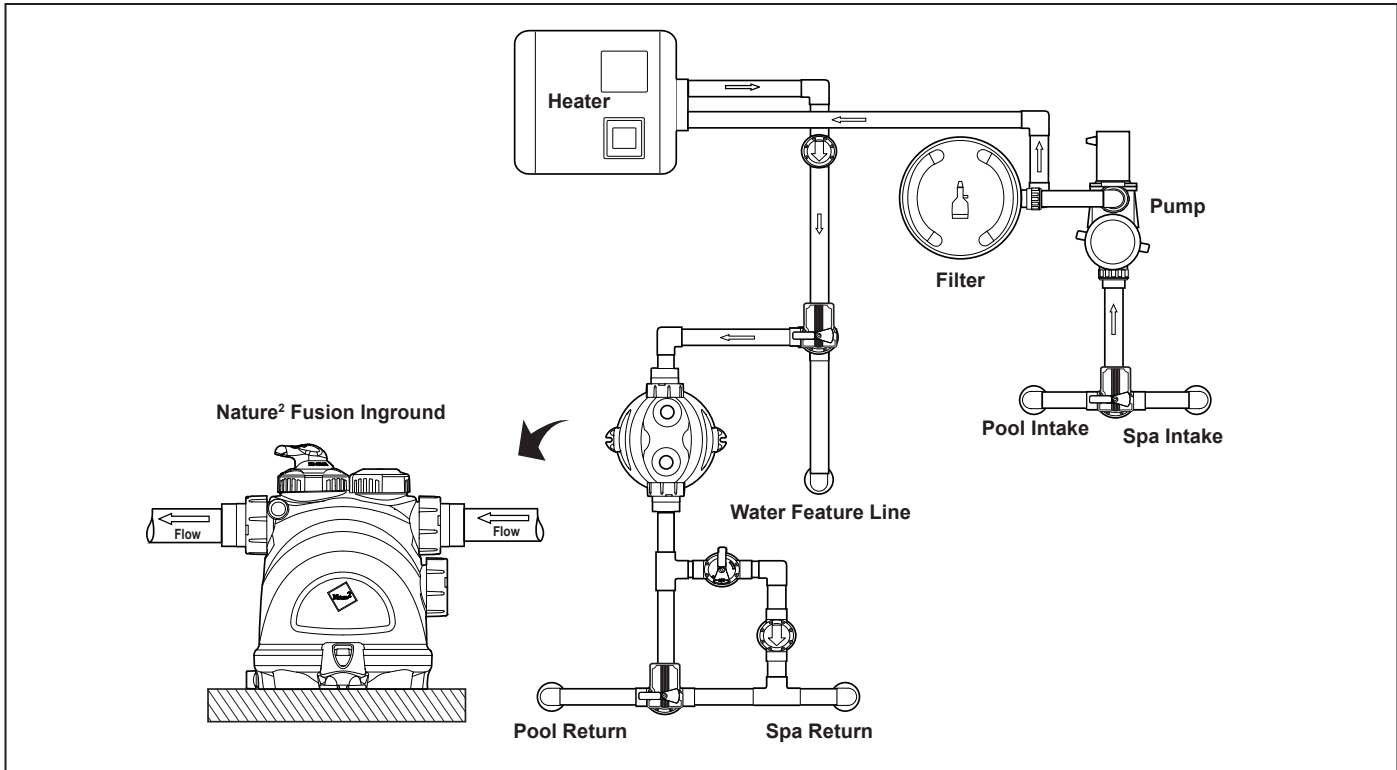


- Hand tighten all unions, sensors, and collars.

**⚠ CAUTION**

Be careful not to get finger caught between inlet union and plug when tightening as this may cause an injury.

- Check the vessel and system for leaks.



**Figure 6. Nature<sup>2</sup> Fusion Split Return Installation**

### 3.6 Split-Return Installation

If the vessel is used with a water feature line system, it must be installed in a split-return configuration or vessel damage may occur (see Figure 6).

- Make sure the pool pump is turned off.
- Remove the temporary cap on the cartridge side of the vessel, and install the Nature<sup>2</sup> start-up cartridge included in the box. Do not throw out the cap. It will be used for winterization of the system.
- Locate a suitable section of pipe to install the vessel that conforms to the installation requirements outlined in Section 3.2.
- Install a 3-way valve in the return line to allow water to be diverted/restricted to the vessel and water feature line.
- Fully open any closed valves, including the 3-way, to allow unrestricted flow to the vessel and water feature line.
- Hand tighten all unions, sensors, and collars.

**⚠ CAUTION**

Be careful not to get finger caught between inlet union and plug when tightening as this may cause an injury.

- Start the pump and allow water to pass through the newly plumbed system. Check for leaks.
- Make sure the flow rate to the Nature<sup>2</sup> Fusion does not drop below 30 gpm (114 lpm).



## Section 4. Pool Water Preparation

### 4.1 Determining Pool Size (Gallons of Water in Your Pool)

- **Rectangular Pools**  
Average length (feet) x average width (feet) x average depth (feet) x 7.5 = gallon capacity.
- **Circular Pools**  
Diameter (feet) x diameter (feet) x average depth (feet) x 5.9 = gallon capacity.
- **Oval Pools**  
Long diameter (feet) x short diameter (feet) x average depth (feet) x 5.9 = gallon capacity.
- **Sloping Sides**  
Multiply total gallons by 0.85 = gallon capacity.

### 4.2 Determining Pool Size (Litres of Water in Your Pool)

- **Rectangular Pools**  
Average length (meters) x average width (meters) x average depth (meters) x 1000 = litres capacity.
- **Circular Pools**  
Diameter (meters) x diameter (meters) x average depth (meters) x 790 = litres capacity.
- **Oval Pools**  
Long diameter (meters) x short diameter (meters) x average depth (meters) x 790 = litres capacity.
- **Sloping Sides**  
Multiply total litres by 0.85 = litres capacity.

### 4.3 Selecting Cartridge Size

For Pools up to 25,000 gal (95,000 L)	For Pools up to 35,000 gal (135,000 L)	For Pools up to 45,000 gal (170,000 L)
DuoClear® 25 or Nature <sup>2</sup> Fusion 25 #W28000 (single) #W26000 (4-pack)	DuoClear 35 or Nature <sup>2</sup> Fusion 35 #W28001 (single) #W26001 (4-pack)	DuoClear 45 or Nature <sup>2</sup> Fusion 45 #W28002 (single) #W26002 (4-pack)

**General Rule of Sizing:** In areas with year-round use and high water temperatures, such as Florida, Texas, Arizona, Las Vegas and Southern California, the following must be considered:

**High Water Temperatures:** Because chlorine demand increases with the rise of water temperature, adjustments must be made in order to keep up with chlorine demand. In hot summer months, where the water temperature rises above 85°F, you must increase the pump run time and increase the chlorine output.

### 4.4 Chemistry You Need to Know

- **Chlorine Stabilizer** (cyanuric acid) is needed to maintain proper levels of chlorine. Most non stabilized chlorine is destroyed by the UV radiation from the sun within two (2) hours. Chlorine stabilizer should be maintained between 10 - 50 PPM. The addition of chlorine stabilizer is not necessary for indoor pools.
- **Nitrates** can cause extremely high chlorine demands and will deplete chlorine from your swimming pool. In some cases nitrates may even lower your chlorine levels to zero. Your local service representative can test for nitrates. Make sure nitrates are not present in your pool.
- **Metals** (some metals) can cause loss of chlorine. Also, metals can stain your pool. Have your local service representative check for metals and recommend methods of removal.
- **Chloramines** should not be present in pool water. When organic materials combine with free chlorine, chloramines are formed. This ties up the free chlorine in your pool and does not allow the chlorine in your pool to disinfect. Chloramines also cloud pool water and burn the eyes. Shock to remove chloramines at the initial startup of the pool.



- **Super Chlorination** burns out the organic material that has combined with chlorine. This frees the chlorine for sanitizing. This is accomplished by raising the chlorine level quickly and dramatically.
- **Shocking** (Superoxidation) is also a means of burning out the organic material that has combined with chlorine. This method involves the manual addition of chemicals to quickly raise the level of chlorine. When the chlorine level is quickly raised to 5 - 15 ppm the pool water is said to have been shocked.

**NOTE** On initial startup of a pool, it is best to shock from an alternate source, i.e., use a shock treatment available at your local pool supplier.

- **New pool water** in a recently filled or newly refinished pool may contain undesirable matter. This undesirable matter could interfere with the vessel's ability to sanitize properly. Make sure the water is tested by a service representative and properly balanced before turning on the chlorinator system.
- **Sequestering Agents** may be used in some areas where the total hardness of your source water may be unusually high. High total hardness can contribute to scale formation in the pool. Sequestering agents will help keep minerals in solution and under some conditions can prevent this from happening. Consult your service representative about the use of a sequestering agent.

#### 4.5 Optimum Pool Water Conditions

In accordance with Association of Pool and Spa Professionals (APSP) standards, we recommend the following water balance conditions be maintained on an on-going basis to protect the pool finish and equipment and ensure the pleasing appearance of the water. The Nature<sup>2</sup> Fusion is warranted to operate properly only if these conditions are met.

<b>Free Chlorine</b>	0.5 - 1.0 ppm. Continuous exposure to levels above 3.0 ppm may cause corrosion of pool metals. Refer to Section 6.2 for Chlorine Testing.
<b>Combined Chlorine (Chloramines)</b>	None (Super chlorinate to remove all chloramines).
<b>pH</b>	7.4 - 7.6 (Use muriatic acid to lower pH and soda ash to raise pH).
<b>Chlorine Stabilizer (Cyanuric Acid)</b>	10 - 50 ppm.
<b>Total Alkalinity</b>	80 - 120 ppm.
<b>Calcium Hardness</b>	175 - 400 ppm.
<b>Metals (Iron, Manganese)</b>	None.
<b>Nitrates</b>	None.
<b>Phosphates</b>	None.



## 4.6 Chlorine Stabilizer Information

**Table 1. Approximate Pounds and Kilograms of Stabilizer Needed to Obtain 50 ppm**

Current Cyanuric Acid Level - ppm	Gallons and (Liters) of Pool/Spa Water							
	10,000 gal (38,000 L)	15,000 gal (57,000 L)	20,000 gal (76,000 L)	25,000 gal (95,000 L)	30,000 gal (113,000 L)	35,000 gal (132,000 L)	40,000 gal (151,000 L)	45,000 gal (170,000 L)
0	4.2 lbs (1.9 kg)	6.3 lbs (2.9 kg)	8.4 lbs (3.8 kg)	10.5 lbs (4.8 kg)	12.6 lbs (5.7 kg)	14.8 lbs (6.7 kg)	16.9 lbs (7.6 kg)	19.0 lbs (8.6 kg)
10	3.4 lbs (1.5 kg)	5.1 lbs (2.3 kg)	6.7 lbs (3.1 kg)	8.4 lbs (3.8 kg)	10.1 lbs (4.6 kg)	11.8 lbs (5.4 kg)	13.5 lbs (6.1 kg)	15.2 lbs (6.9 kg)
20	2.5 lbs (1.1 kg)	3.8 lbs (1.7 kg)	5.1 lbs (2.3 kg)	6.3 lbs (2.9 kg)	7.6 lbs (3.4 kg)	8.9 lbs (4.0 kg)	10.1 lbs (4.6 kg)	11.4 lbs (5.2 kg)
30	1.7 lbs (0.8 kg)	2.5 lbs (1.2 kg)	3.4 lbs (1.5 kg)	4.2 lbs (1.9 kg)	5.1 lbs (2.3 kg)	5.9 lbs (2.7 kg)	6.7 lbs (3.1 kg)	7.6 lbs (3.4 kg)
40	0.8 lbs (0.4 kg)	1.3 lbs (0.6 kg)	1.7 lbs (0.8 kg)	2.1 lbs (1.0 kg)	2.5 lbs (1.2 kg)	3.0 lbs (1.3 kg)	3.4 lbs (1.5 kg)	3.8 lbs (1.7 kg)

**NOTE** The above chart is for general reference only. The recommended stabilizer reading is between 10 - 50 ppm and will vary dependent on geographic climate. Warm, sunny climates will require a stabilizer reading at the higher end of the given range. Consult your local service representative for your optimum level. Always add stabilizer according to manufacturer's instructions. It is not necessary to add stabilizer for indoor pools.

### CAUTION

It is important to note that certain materials used in and around swimming pools and spas may not be compatible with chemicals commonly used to purify pool and spa water (e.g. acids, chlorine, salt, stabilizers, etc.).

As such, Zodiac Pool Systems, Inc. does not warrant or guarantee that the chlorinated water generated by the Nature<sup>2</sup> Fusion will not damage or destroy certain types of plants, decking, coping and other materials in and around your pool and/or spa. Before selecting materials to be used in and around your pool and/or spa, please discuss all options with your contractor to assess the compatibility of such materials and chemicals.

Some helpful considerations may include:

- Choosing plants that can withstand splash out of pool water containing chlorine and/or salt and other water purification chemicals.
- All metal components used in and around a pool should be of a high grade, quality stainless steel.
- Careful selection of masonry products. The porosity and hardness of natural stones varies greatly. Therefore we recommend you consult with your builder or stone contractor on the best choice for stone materials around your pool or spa.
- Sealing all masonry products. Professionals in the stone industry specify that even natural stone, especially when used outdoors, be sealed to prevent weathering, staining, and premature degradation. Consult with your stone or deck contractor for the proper sealer for the masonry products you have selected to use around your pool or spa.
- For the optimal results, sealers should be reapplied on a regular basis. Reapply the protective sealer on a schedule per the manufacturer's instructions.



## Section 5. Operating Instructions

### 5.1 Startup

Before using a new Nature<sup>2</sup> cartridge, clean debris and algae out of the pool and pool equipment and verify the pool is properly balanced (see Section 4.5). Refer to the Nature<sup>2</sup> Cartridge Owner's Manual for complete cartridge start-up procedures.

#### 5.1.1 Start-up Cartridge Procedure

1. Install the cartridge after the water has been balanced.
2. With the circulation system OFF, remove the collar from the Nature<sup>2</sup> side of the system. If this is a newly installed system, remove and store the temporary plug supplied with the unit.
3. Insert the Nature<sup>2</sup> start-up cartridge and replace the collar.
4. Turn on pool circulation system.
5. For newly filled pools that will be using chlorine tablets (Nature<sup>2</sup> Fusion Inground) or for existing pools; replace after seven (7) days with Nature<sup>2</sup> mineral cartridge (see Section 4.3).

#### 5.1.2 Shocking

Shock (superoxidation) the pool water using an alternate source at the time of pool startup to burn off contaminants and activate the mineral cartridge. Run the circulating pump either 24 hours for four (4) days, or six (6) hours a day for 14 days while maintaining 1 - 3 ppm of free available chlorine. Let chlorine gradually dissipate to 0.5 ppm once the circulating period is complete.

### 5.2 Filtration and Circulation

Follow the manufacturer's directions for keeping the circulating pump in good working order and operate it at least six (6) hours a day. Consult your Nature<sup>2</sup> dealer for optimum run times.

Check pool filter periodically, clean as recommended by manufacturer.

### 5.3 Adding Chlorine Tablets

#### DANGER

**CHEMICAL USE HAZARD:** The Nature<sup>2</sup> Fusion is designed to use only Trichloro-S-Triazinetrione tablets - slow dissolving type. **Never mix or use with other types of chlorine or chemicals.** Explosion or fire may result.

#### WARNING

To avoid injury or property damage from chlorinated water, add Tri-Chlor tablets slowly to avoid splashing.

Please review the chemical use hazard instructions on the first page of this manual before opening the chlorine chamber. Under normal conditions, the large-capacity chlorine dispenser of the Nature<sup>2</sup> Fusion provides a minimum of one (1) month chlorination for large pools. The chlorine feed rate can easily be controlled by adjusting the chlorine regulator dial to control the rate of water flow through the chlorine chamber, and the amount of Tri-Chlor tablets placed in the feeder.

To add: Turn collar counterclockwise to remove and lift off cap. To avoid splashing of water, slowly add the desired amount of slow dissolving Tri-Chlor tablets, approximately ten 3" tabs (4.36 lbs/2 kg), or almost 4 lbs of 1" tabs.

Replace cap and turn collar clockwise until it locks.



## 5.4 First Aid Instructions

If you do get chlorinated water splashed from the adding of tablets, follow the first aid directions listed:

### Eye Contact:

Flush with plenty of water for at least 15 minutes, occasionally lifting the upper and lower eyelids.

### Skin Contact:

In case of contact, immediately flush skin with plenty of water for at least 15 minutes while removing contaminated clothing and shoes.

## 5.5 Recommendations

### DO List

- Read and keep your manual in a safe place.
- Add Tri-Chlor tablets slowly to avoid splashing of water.
- Increase chlorine production before high bather load and return to normal afterwards.
- Increase chlorine production when temperature goes up.
- Decrease production when temperature goes down (for example, in the fall and winter seasons).
- Take pool water sample to service representative once per month.

### DON'T List

- Do not get fertilizer in your pool. Fertilizers contain nitrates which cause a high chlorine demand on pool water.
- Do not let chlorine stabilizer drop below 10 ppm.



## Section 6. User Maintenance Instructions

The following information describe how to care for your Nature<sup>2</sup> Fusion.

### 6.1 Daily

1. **Filtration and Circulation.** Follow the manufacturer's directions for keeping the circulating pump in good working order and operate it at least six (6) hours a day. Consult your Nature<sup>2</sup> dealer for optimum run times. Check pool filter periodically, clean as recommended by manufacturer.

### 6.2 Weekly

1. **Chlorine Test.** Test pool water chlorine level with a reliable test kit. Maintain ideal range by adjusting the Nature<sup>2</sup> Fusion chlorine production rate (see Section 5.4). Recommended free chlorine is 0.5 - 1 ppm. May be as low as 0.5 ppm (0.6 ppm in Canada) with the use of a Nature<sup>2</sup> cartridge that is within its normal operating life.

**NOTE** It is recommended that chlorine test samples be taken from two (2) places, one (1) at the pool return line, the other well away from the pool return line. Compare the samples. A higher level should be found at the pool return line. The higher level at the pool return line indicates the Nature<sup>2</sup> Fusion is producing chlorine.

- a. At the pool return line.
  - b. 18" (46 cm) below the surface and well away from the pool return line.
4. **pH Level Test.** Test the pH level of your pool with a test kit. If necessary, adjust according to your service representative's recommendations. APSP standard of 7.4 - 7.6 is recommended.

### 6.3 Monthly

1. **Pool Water Sample.** Take water sample to local pool store for testing.
2. **Total Alkalinity Test.** Test pool water for total alkalinity with a test kit. Adjust according to your qualified service representative's recommendations. 80 - 120 ppm APSP Standard.
3. **Stabilizer (Cyanuric Acid).** Test pool water stabilizer (cyanuric acid) level using a test kit or by having a water sample tested by a service representative. Maintain ideal range of 10 - 50 ppm. Follow your service representative's recommendations. The addition of stabilizer is not necessary for indoor swimming pools.
4. **Calcium Hardness.** Test pool water for calcium hardness level using test kit or by having a water sample tested by a service representative. If necessary, adjust according to your service representative's recommendations. APSP standard of 175 - 400 ppm is recommended (for outdoor pools only).
5. **Metals Test.** It is recommended that the pool water be tested periodically for the presence of metals such as iron, and manganese. These metals should not be present in the pool water. If those metals are present, contact your local service representative.

### 6.4 Nature<sup>2</sup> Mineral Cartridge Replacement

The Nature<sup>2</sup> cartridge for the Nature<sup>2</sup> Fusion lasts six (6) months or one (1) pool season (whichever is the shorter length of time).

1. Shut off the pool pump and filter.
2. Close valves between filter and pool to prevent pool draining.
3. Turn large collar counterclockwise to remove and lift off cap.
4. Remove old cartridge and discard in household trash. Insert the new cartridge (see Section 4.3)





5. Position cap flat on the vessel housing.

**IMPORTANT** Make sure the o-ring is secure in the groove on the vessel top, not on the underside of the cap. Turn large collar clockwise until it locks into place, do not over tighten.

6. Open any valves that were closed to isolate the Nature<sup>2</sup> Fusion.

## 6.5 Winterizing

### CAUTION

Make sure to wear gloves, eye protection, and protect any exposed skin when removing chlorine tablets. Review the safety and first aid information provided with all chemicals before using.

Consult your dealer for complete information on pool care and maintenance in cooler temperatures.

In cold climates, where the pool is closed:

1. Remove the Nature<sup>2</sup> cartridge and discard with household trash. Put the temporary cap on unit and tighten down the collar.
2. Review chemical use hazard on page three (3) of this manual before opening the chlorine chamber. Carefully remove any remaining chlorine tablets.
3. Replace empty chlorine holder into unit, retighten collar and run pump for 30 minutes.
4. Remove and save the drain plug.
5. Rinse out Nature<sup>2</sup> Fusion thoroughly with water.
6. If blowing lines clear with air, set chlorine regulator dial to 5.
7. After completing winterization, loosen collars.

## 6.6 Spring Start Up

1. Replace the drain plug.
2. Start up your pool as normal.
3. After the water has been balanced, insert the new Nature<sup>2</sup> cartridge, add the chlorine tablets (see Section 5.3 for precautions), and complete the cartridge start up procedures in the Nature<sup>2</sup> cartridge owner's manual.



## Section 7. Troubleshooting

### WARNING

Always turn pump off prior to attempting service or repair. Your pump and filter system is operated under pressure and pressure must be released before you begin to avoid system damage or personal injury. Open the air relief valve on your pool filter to release the pressure in the system.

### 7.1 Problems and Corrective Action

Problem	Possible Cause	Corrective Action
The vessel leaks.	O-Ring missing or improperly seated.	Make sure o-ring is secure in the groove on the vessel housing, not on the cap.
	Faulty plumbing.	Repair the source of leak in plumbing.
No flow to vessel.	Dirty filter (one indication: pressure is 8 - 10 psi higher than normal).	Clean or backwash filter.
Low or no chlorine.	Chlorine output set too low.	Turn the chlorine output handle to a higher output number.
	Chlorine dispenser low or empty.	Refill the chlorine dispenser with tri-chlor tablets.
	Low stabilizer (cyanuric acid) level in pool water (For outdoor pool only).	Add stabilizer to maintain 10 - 50 ppm (see Section 4.6, Table 1).
	Insufficient operating hours of the unit.	Increase the system operating time per day.
	Recent increases in weather temp without increasing the chlorine production of your unit.	
	Temporary loss of chlorine due to heavy organic load - rain, leaves, fertilizer or heavy bather load. Pets using pool.	Increase chlorine production by turning the chlorine output handle to a higher output number. Set the pump to run for 24 hours. After 24 hours, recheck chlorine levels. If still too low, super chlorinate with alternate source.
	High nitrate level.	Contact a qualified service representative.
	Metals present in pool water.	Contact a qualified service representative.
	New pool water. Not shocked properly upon startup.	Super chlorinate the pool.
Chlorine level too high.	Chlorine output set too high.	Turn the chlorine output handle to a lower output number.
Chlorine odor.	Presence of excess chloramines (combined chlorine).	Manually shock the pool.
Cloudy Water, Slimy Walls of Pool.	It has been six (6) months since present cartridge was installed.	Replace cartridge.
	Combined algae and bacteria growth.	Brush down the affected walls and follow the directions in Section 5.1.1 Shocking.
Eye and/or skin irritation.	Improper water balance.	Balance the water to recommended levels in Section 4.5.
Scale formation on pool equipment.	Incorrect pH causing minerals to come out of solution.	Adjust total alkalinity to 80 - 120 ppm. Then adjust pH to within 7.4 - 7.6
	High total hardness.	Dilute pool with fresh water. Consult a qualified service representative regarding use of a sequestering agent.

## Section 8. Exploded Views and Replacement Kits

### 8.1 Nature<sup>2</sup> Fusion Inground Replacement Parts

Dwg.#	Kit #	Description	Qty.
1	R0452100	Universal Union/Tailpiece/Plug Includes: Nut, Union Universal O-Ring, #2-231 Tailpiece, 2" X 2 1/2" Plug, Port	3 3 2 1
2	W28000	DuoClear® 25 or Nature <sup>2</sup> Fusion 25	1pk
	W26000	DuoClear 25 or Nature <sup>2</sup> Fusion 25	4pk
	W28001	DuoClear 35 or Nature <sup>2</sup> Fusion 35	1pk
	W26001	DuoClear 35 or Nature <sup>2</sup> Fusion 35	4pk
	W28002	DuoClear 45 or Nature <sup>2</sup> Fusion 45	1pk
	W26002	DuoClear 45 or Nature <sup>2</sup> Fusion 45	4pk
3		Vessel w/ Flow Management System, R0501600 Nature <sup>2</sup> Fusion, Nature <sup>2</sup> R0501800 Nature <sup>2</sup> Fusion, Nature <sup>2</sup> AG Includes: Vessel Plug, Drain O-Ring, drain plug Anchor Bracket	1 1 1 2
4	R0502200	Anchor Bracket kit	2
5	R0446000	Drain Plug w/ O-Ring	2
6	R0502300	Large Collar w/ O-Ring	1
7	R0502400	Small Collar w/ O-Ring	1
8	R0502500	Nature <sup>2</sup> Fusion, O-Ring Kit Includes: O-Ring, Large Collar O-Ring, Small Collar O-Ring, Unions & Port Plug O-Ring, Feeder Shaft O-Ring, Drain Plug	1 1 3 2 1
9	R0502600	Tab Feeder Assembly Includes: Body Cap Top O-Ring	1 1 1 2
10	R0502700	Tab Feeder Handle	1

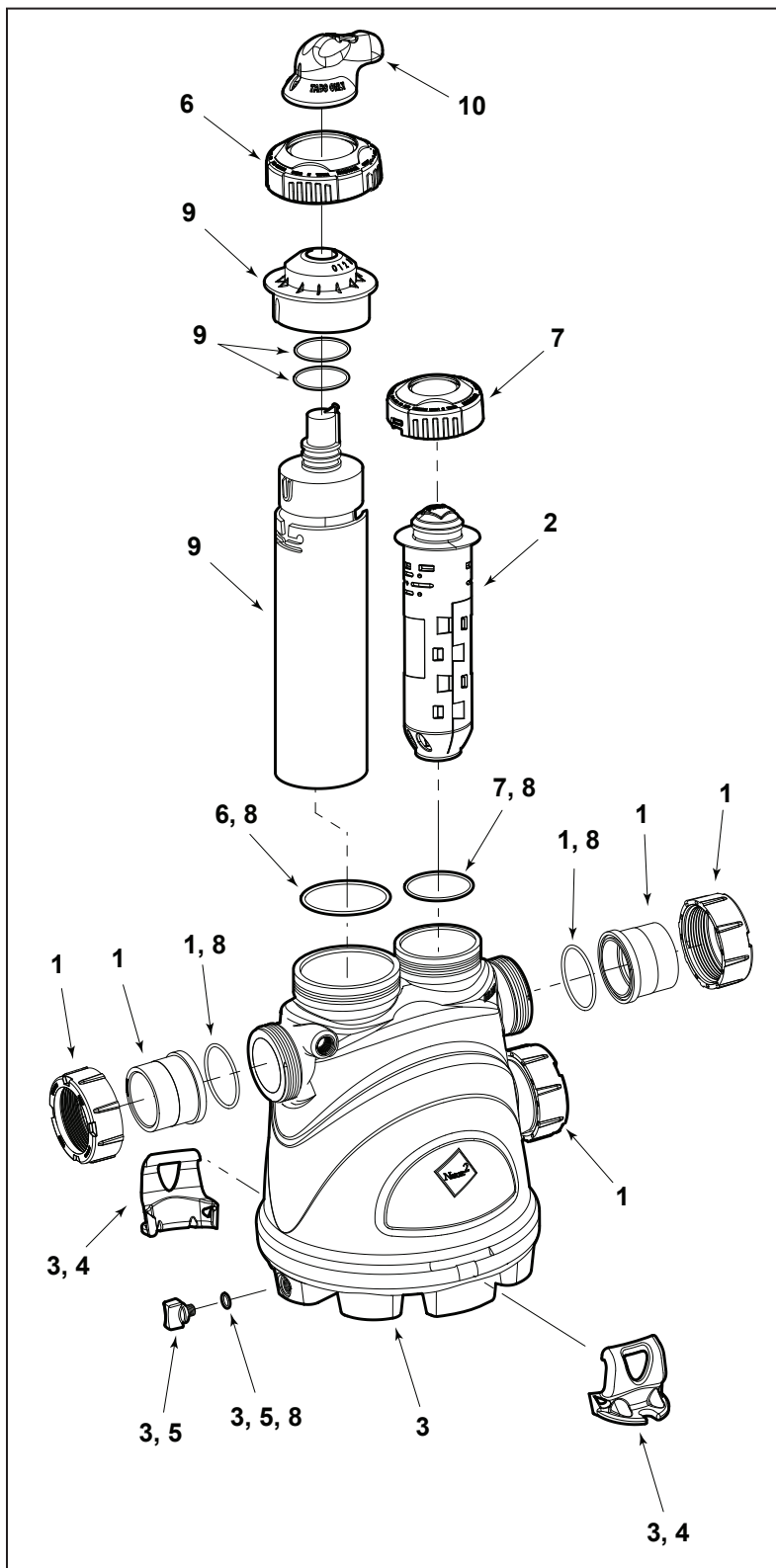


Figure 7. Nature<sup>2</sup> Fusion Inground Vessel Exploded View



**ZODIAC POOL SYSTEMS, INC.**

6000 Condor Drive • Moorpark, CA • 93021  
Tel: 800-822-7933 • Fax: 877-327-1403



*Mineral Sanitizers  
for Pools*

## Manual de instalación y operación



# Nature2® Fusion Bajo Suelo

ESTE SISTEMA INCLUYE UN CARTUCHO DE ARRANQUE  
DESPUÉS DEL PERÍODO DE ARRANQUE REQUIERE UN CARTUCHO NATURE2 DE MINERALES  
(no incluidos, consulte la página 31 para más información)

### ADVERTENCIA

**PARA SU SEGURIDAD** - Este producto debe ser instalado y mantenido por un contratista que este autorizado y calificado en equipo de piscinas en la jurisdicción en la que el producto se instala y en donde requisitos estatales locales puedan existir. En el caso que ni existan requisitos estatales o locales obligatorios, el responsable debe ser un profesional con experiencia suficiente en la piscina de la instalación y mantenimiento de equipo para que todas las instrucciones en este manual puede ser seguido exactamente. Antes de instalar este producto, lea y siga todas las advertencias y las instrucciones que acompañan a este producto. El incumplimiento de los avisos de advertencia e instrucciones puede resultar en daños a la propiedad, lesiones personales o la muerte. La instalación y/o operación se anulará la garantía.



## Indice

<b>Section 1. Instrucciones importantes de seguridad .....</b>	<b>23</b>
<b>Sección 2. Descripción del sistema .....</b>	<b>25</b>
2.1 Descripción del producto .....	25
2.2 Especificaciones del producto .....	25
<b>Sección 3. Instrucciones de instalación .....</b>	<b>26</b>
3.1 Los materiales y herramientas.....	26
3.2 Requisitos de instalación .....	26
3.3 Instalación el vaso a la plataforma del equipo .....	27
3.4 Instalación de Nature <sup>2</sup> Fusion.....	28
3.5 Instalación de derivación (bypass) .....	29
3.6 Instalación de retorno dividido .....	30
<b>Sección 4. Preparación del agua para piscina ...</b>	<b>31</b>
4.1 Determinación para el tamaño de piscina (galones de agua en su piscina).....	31
4.2 Determinación de tamaño piscina (litros de agua en su piscina).....	31
4.3 Selección del tamaño del cartucho.....	31
4.4 Química que usted necesita saber .....	31
4.5 Agua de piscina con condiciones óptima.....	32
4.6 Información del estabilizador de cloro .....	33
<b>Sección 5. Instrucciones de operación.....</b>	<b>34</b>
5.1 Arranque .....	34
5.1.1 Procedimiento de arranque del cartucho ...	34
5.1.2 Dosis de Shock .....	34
5.2 Filtración y circulación .....	34
5.3 Adición de tabletas de cloro.....	34
5.4 Instrucciones de primeros auxilios.....	35
5.5 Recomendaciones .....	35
<b>Sección 6. Instrucciones de mantenimiento para el usuario .....</b>	<b>36</b>
6.1 Diariamente .....	36
6.2 Semanal.....	36
6.3 Mensual .....	36
6.4 Cartucho de repuesto de minerales Nature <sup>2</sup> .....	36
6.5 Invernación .....	37
6.6 Arranque en primavera .....	37
<b>Sección 7. Solución de problemas .....</b>	<b>38</b>
7.1 Problemas y acciones correctivas .....	38
<b>Sección 8. Vista ampliada y piezas de repuesto</b>	<b>39</b>
8.1 Piezas de repuesto del vaso bajo suelo del Nature <sup>2</sup> Fusion .....	39

## Figuras y tablas

Figura 1. Componentes del Nature <sup>2</sup> Fusion .....	5
Figura 2. Instalación de los soportes de anclas ...	7
Figura 3. Ejemplo de instalación del Nature <sup>2</sup> Fusion .....	8
Figura 4. Recorte de pipa.....	8
Figura 5. Ejemplo de una instalación de derivación.....	9
Figura 6. Instalación de retorno dividido del Nature <sup>2</sup> Fusion.....	10
Figura 7. Vista ampliada del vaso bajo suelo del Nature <sup>2</sup> Fusion.....	19
Tabla 1. Libras aproximada y kilogramos de estabilizador necesario para obtener 50 ppm.....	13

## Section 1. Instrucciones importantes de seguridad

### LEA Y SIGA TODAS LAS INSTRUCCIONES

Al instalar este equipo, las precauciones básicas de seguridad deben seguirse, incluyendo las siguientes:



#### ADVERTENCIA

**EQUIPOS A PRESIÓN:** Siempre apague la bomba antes de instalar o cambiar cualquier vaso Nature2 o cartucho o la adición de tabletas de cloro. Su bomba/sistema de filtro es operado bajo la presión y la presión debe ser liberada antes de comenzar a trabajar. Por favor, consulte el manual de instrucciones de la bomba o del filtro.



#### PELIGRO

**RIESGO USO DE PRODUCTOS QUÍMICOS:** Nature<sup>2</sup> Fusion está diseñado para utilizar sólo tabletas Tricloro-S-triazinetrión - de disolución lenta. Nunca mezcle o use con otros tipos de cloro o productos químicos. Explosión o un incendio pueden suceder.

- Tenga precaución extrema a la apertura o mantenimiento de su alimentador.
- Siempre apague la bomba y las válvulas disponible antes de la apertura. No inhalar los vapores de cualquier alimentador de producto químico o envase. Proteja sus ojos, la piel y la ropa de los productos químicos en todo momento.
- NUNCA abra el clorador cuando la bomba está funcionando.
- Asegúrese de que poco a poco agregar las tabletas de Tri-cloro al alimentador para evitar salpicación de agua clorada.
- Para evitar la acumulación de gas en el clorador, asegúrese que la válvula(s) de línea de retorno se mantenga abierta - excepto cuando se abra o se le preste servicio a la unidad.
- Lea siempre la etiqueta y siga cuidadosamente las recomendaciones del fabricante de cloro para el acondicionamiento adecuado del agua y los requisitos diarios particulares de cloro para su piscina y zona.



#### PELIGRO

Para reducir el riesgo de lesiones, no quite la cubierta de la succión de su spa o jacuzzi. Nunca opere un spa o jacuzzi, si los accesorios de succión están rotos o desaparecidos. Nunca sustituya un accesorio de succión con una clasificación inferior a la tasa de flujo marcada en el montaje de los equipos.



#### ADVERTENCIA

Cuando mezcle ácido con agua, SIEMPRE HAY QUE AÑADIR ÁCIDO AL AGUA. NUNCA añadir AGUA AL ACIDO.



#### ADVERTENCIA

**Para reducir el riesgo de lesiones --**

- El agua en un spa nunca debe exceder de 104 °F (40 °C). La temperatura del agua entre 100 °F (38 °C) y 104 °F (40 °C) se consideran seguras para un adulto saludable. Las temperaturas de agua más bajas se recomiendan para niños pequeños y cuando el uso del spa excede de 10 minutos.
- Dado que la temperaturas excesivas del agua tienen un alto potencial de causar daños al feto durante los primeros meses de embarazo, mujeres embarazadas o posiblemente embarazadas deben limitar la temperatura del agua termal a 100°F (38°C).
- Antes de entrar en un spa o jacuzzi, el usuario debe medir la temperatura del agua con un termómetro preciso ya que la tolerancia de la temperatura del agua varía en dispositivos de regulación.
- El uso de alcohol, drogas o medicamentos antes o durante el spa puede llevar a la inconsciencia con la posibilidad de ahogarse.
- Las personas obesas y las personas con antecedentes de enfermedad cardíaca, alta o baja presión arterial, problemas del sistema circulatorio o de diabetes deben consultar a un médico antes de usar un spa.
- Las personas que utilizan medicamentos deben consultar a un médico antes de usar un spa o jacuzzi, ya que algunos medicamentos pueden provocar somnolencia, mientras que otros medicamentos pueden afectar el ritmo cardíaco, presión sanguínea y la circulación.



### ADVERTENCIA

**PREVENGA AHOGAMIENTO DE NIÑOS:** No deje que nadie, especialmente los niños pequeños, se sienten, salten, se apoyen o suban a cualquier equipo instalado como parte del sistema de operación la piscina. Coloque los componentes del sistema de operación por lo menos tres (3) pies de distancia a la piscina para que los niños no puedan utilizar el equipo para tener acceso a la piscina y sean lesionados o se ahogan.

### ADVERTENCIA

- Las personas con enfermedades infecciosas no deberían utilizar un spa o jacuzzi.
- Para evitar lesiones, tenga cuidado al entrar o salir del spa o jacuzzi.
- No use drogas o alcohol antes o durante el uso de un spa o jacuzzi para evitar la pérdida de conocimiento y posible ahogamiento.
- Las mujeres embarazadas o posiblemente embarazadas deben consultar a un médico antes de usar un spa o jacuzzi.
- La temperatura del agua en exceso de 100°F (38°C) puede ser nocivo para su salud.
- Antes de entrar en un spa o jacuzzi medir la temperatura del agua con un termómetro preciso.
- No utilice un spa o jacuzzi inmediatamente después de ejercicio extenuante.
- La inmersión prolongada en un spa o jacuzzi puede ser nocivo para su salud.
- No permitir que cualquier aparato eléctrico (como una luz, teléfono, radio o televisión) dentro de los 5 pies (1,52 m), de un spa o jacuzzi.
- El uso de alcohol, drogas o medicamentos pueden aumentar el riesgo de hipertermia fatal en jacuzzi y spas.
- La temperatura del agua en exceso de 100°F (38°C) puede ser peligrosa para su salud.

### ADVERTENCIA

La inmersión prolongada en agua caliente puede provocar hipertermia. La hipertermia ocurre cuando la temperatura interna del cuerpo alcanza un nivel de varios grados por encima de la temperatura normal del cuerpo de 98,6 ° F (37 ° C). Los síntomas de hipertermia incluyen mareo, vértigo, somnolencia, letargo, y un aumento de la temperatura interna del cuerpo. Los efectos de la hipertermia incluyen:

- Desconocimiento de un peligro inminente
- Falta de percibir el calor
- Si no se reconoce la necesidad de salir del spa
- Incapacidad física para salir del spa
- Daño fetal en mujeres embarazadas
- Pérdida del conocimiento que resulta en un peligro de ahogarse

### CAUTION

Es importante señalar que ciertos materiales utilizados en y alrededor de piscinas y spas pueden no ser compatibles con los productos químicos utilizados para purificar el agua del spa y la piscina (por ejemplo, ácidos, cloro, sal, estabilizadores, etc.)

Como tal, Zodiac Pool Systems, Inc. no garantiza que el agua clorada generados por Nature<sup>2</sup> Fusion puedan dañar o destruir ciertos tipos de plantas, cubiertas, afrontamiento y otros materiales dentro y en los alrededores de su piscina o spa. Antes de seleccionar los materiales a ser utilizados en y alrededor de su piscina y/o spa, favor de discutir todas las opciones con su contratista para evaluar la compatibilidad de dichos materiales y productos químicos.

Algunas consideraciones útiles:

- Elija plantas que resistan salpicaduras de agua con cloro y sal y otros productos químicos de purificación de agua.
- Todos los componentes de metal utilizados en una piscina deben ser de alto grado, acero inoxidable de calidad.
- Seleccione cuidadosamente de los productos de albañilería. La porosidad y la dureza de la piedra natural es muy variable. Por lo tanto, le recomendamos que consulte con su constructor o contratista en la mejor opción para los materiales de piedra alrededor de su piscina o spa.
- Sellado de todos los productos de albañilería. Los profesionales de la industria de la piedra especifican que incluso la piedra natural, especialmente cuando se usa al aire libre, deben estar sellados para evitar la erosión, la coloración, y la degradación prematura. Consulte con su contratista de cubierta o de piedra para aislar adecuadamente los productos de albañilería que ha seleccionado usar alrededor de su piscina o spa.
- Para resultados óptimos, selladores deben reaplicarse regularmente. Reaplique el sellador de protección de acuerdo a las instrucciones del fabricante.

## GUARDE ESTAS INSTRUCCIONES



## Sección 2. Descripción del sistema

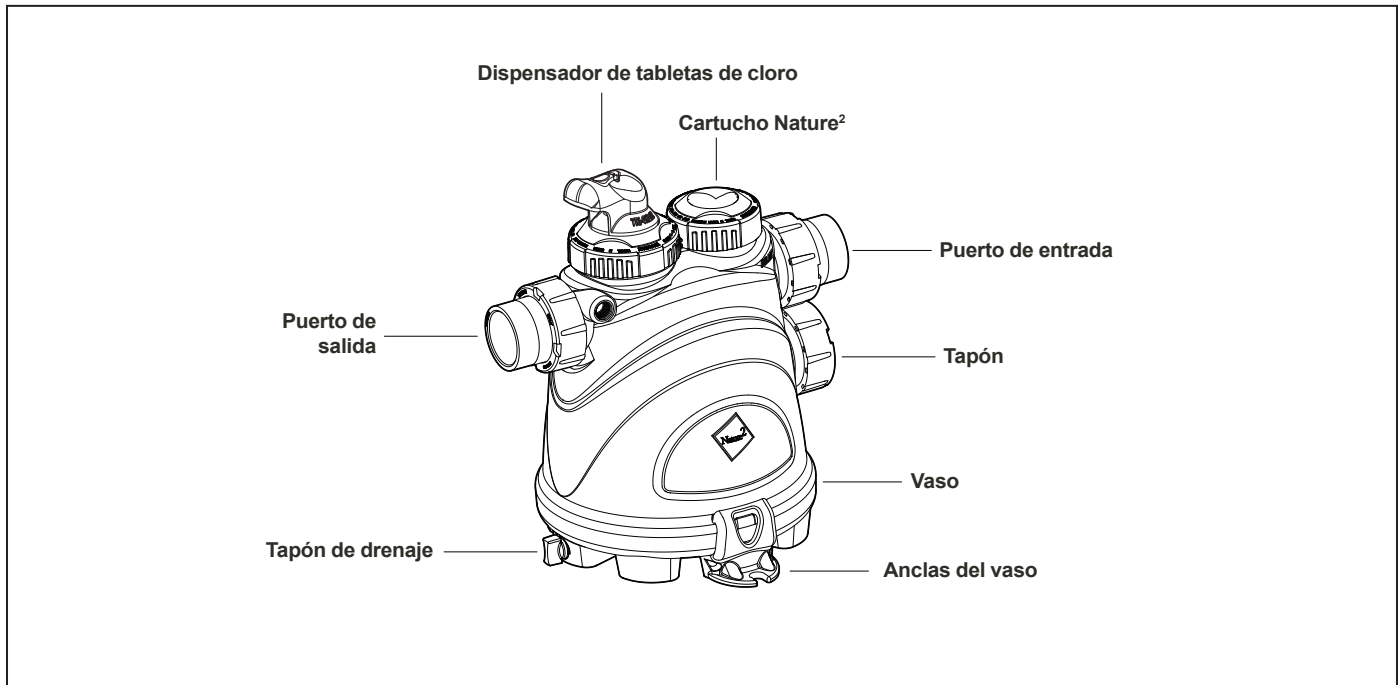


Figura 1. Componentes del vaso bajo suelo del Nature<sup>2</sup> Fusion

### 2.1 Descripción del producto

El sistema de Nature<sup>2</sup> Fusion es un desinfectante y preciso dispensador de tabletas de cloro que combina tecnología de minerales Nature<sup>2</sup> con un alimentador de tableta de tri-cloro. La tecnología patentada de Nature<sup>2</sup> entrega pequeñas cantidades controlada de minerales beneficiosos para ayudar a mantener la piscina libre bacterias y algas.

### 2.2 Especificaciones del producto

Capacidad	Para piscinas de hasta 25.000 galones (95,000 L)	Para piscinas de hasta 35.000 galones (135,000 L)	Para piscinas de hasta 45.000 galones (170,000 L)
<b>Sustitución del cartucho de Nature<sup>2</sup> (se vende por separado)</b> <b>Importante:</b> El modelo de cartucho adecuado de repuesto se indica en la etiqueta frontal del Nature <sup>2</sup> Fusion.	DuoClear® 25 o Nature <sup>2</sup> Fusion 25 #W28000 (singular) #W26000 (4-paquete)	DuoClear 35 o Nature <sup>2</sup> Fusion 35 #W28001 (singular) #W26001 (4-paquete)	DuoClear 45 o Nature <sup>2</sup> Fusion 45 #W28002 (singular) #W26002 (4-paquete)
<b>Capacidad de tabletas Tri-cloro</b> (Use tabletas de disolución lenta Tricloro-S-triazina (Tri-Chlor) solamente)	Alrededor de 4,36 libras (2 kg) diez tabletas de 3", o casi 4 libras (1,8 kg) una tableta de 1"	Alrededor de 4,36 libras (2 kg) diez tabletas de 3", o casi 4 libras (1,8 kg) una tableta de 1"	Alrededor de 4,36 libras (2 kg) diez tabletas de 3", o casi 4 libras (1,8 kg) una tableta de 1"
<b>Presión máxima</b>	50 psi	50 psi	50 psi
<b>Caudal mínimo</b>	30 gpm (114 lpm)	30 gpm (114 lpm)	30 gpm (114 lpm)
<b>Caudal máximo</b>	120 gpm (455 lpm)	120 gpm (455 lpm)	120 gpm (455 lpm)
<b>Dimensiones</b>	16.5"L x 16"H x 14.5"D (42 cm x 40 cm x 37 cm)	16.5"L x 16"H x 14.5"D (42 cm x 40 cm x 37 cm)	16.5"L x 16"H x 14.5"D (42 cm x 40 cm x 37 cm)
<b>El peso del vaso</b>	10 lbs (4.5 kg)	10 lbs (4.5 kg)	10 lbs (4.5 kg)



## Sección 3. Instrucciones de instalación

### ADVERTENCIA

**PARA SU SEGURIDAD:** Este producto debe ser instalado y mantenido por un grupo profesional o técnico de servicio de spa. Los procedimientos en este manual debe ser seguido exactamente. El incumplimiento de los avisos de advertencia e instrucciones puede resultar en daños a la propiedad, lesiones graves o la muerte. La instalación y / o operación se anulará la garantía..

### ADVERTENCIA

**EQUIPOS BAJO PRESIÓN:** Siempre apague la bomba antes de la instalación o del servicio de la fuente del Nature<sup>2</sup> Fusion. Su bomba/sistema de filtro es operado bajo presión y la presión debe ser liberada antes de comenzar a trabajar. Por favor, consulte el manual de la bomba/filtro para más instrucciones.

### 3.1 Los materiales y herramientas

Materiales de instalación proveídos	Herramientas necesarias para la instalación
Vaso Nature <sup>2</sup> Fusion con 2" (5 cm) - 2 1/2" (6,3 cm) Uniones universales Manual de instalación y operación	Cinta de medir Destornilladores Phillips & planos Pinzas Sierra Limpiador para todo fin aprobado por la NSF® Cemento para todo fin aprobado por la NSF (Weld-On 794, 793)

### 3.2 Requisitos de instalación

Decida dónde desea instalar el vaso Nature<sup>2</sup> Fusion.

- El vaso deberá ser instalado en una tubería de 17" (43 cm) de longitud.
- El vaso debe estar instalado en la plataforma existente o en una losa de concreto para soportar el peso.
- El vaso debe estar instalado como la última pieza del equipo en el sistema de circulación de cañerías poco al lado de la piscina con la entrada al Nature<sup>2</sup> y la salida al lado de cloro.
- El vaso debe ser instalado corriente abajo de calentador de lo contrario se puede producir daño al calentador.
- Si el vaso se instala debajo del nivel de agua de la piscina, debe ser instalado con una válvula de retención. La válvula de retención va a aislar el vaso y evita drenaje de la piscina durante la instalación, el cambio de cartucho, o la adición de tabletas de cloro.
- Si el tamaño de cañerías es mayor de 2" (5 cm) de diámetro o si los caudales son mayores de 120 gpm (455 lpm), el vaso deberá ser instalado en una configuración de derivación (ver sección 3.5).
- Si el vaso que se utiliza con un sistema en línea de elementos de agua, este debe ser instalado en una configuración de retorno dividido o daño al vaso puede ocurrir (ver sección 3.6).
- Nunca instale el alimentador de Nature<sup>2</sup> Fusion directamente en tuberías de cobre, esto puede dañar las tuberías. Si se instalan válvulas de latón o bronce retrolavado, u otros componentes sensibles metálicos, consulte con su distribuidor para las recomendaciones en su sistema.

### 3.3 Instalación el vaso a la plataforma del equipo

En algunas áreas, por ejemplo Florida, los códigos de construcción exigen que todos los aparatos sean fijados de manera segura a la plataforma de equipos para soportar las presiones de vientos fuertes creado por los huracanes. Por favor, siga todos los códigos y normas locales.

**NOTE** Tornillos y arandelas de anclaje para asegurar el vaso a la plataforma de los equipos no se incluyen con el equipo. Zodiac Pool Systems, Inc. ("Zodiac") recomienda que un tornillo de 2 ¼" X ¼" (5,7 cm x 0,6 cm) de largo de acero inoxidable TAPCON® y arandela planas de acero inoxidable sean utilizadas para montar cada uno de los dos (2) anclas en la base a la plataforma de los equipos. El tornillo Tapcon de concreto de Florida cumple con los requisitos del código de construcción.

1. Manualmente coloque los dos (2) soportes de anclas a los pies del costado del vaso, como se muestra en la Figura 2. Asegúrese de que estos soportes de anclas estén firmemente colocados a los pies de la vaso.
2. Coloque el vaso en la plataforma y marque la ubicación de cada hoyo de las anclas en la plataforma de concreto.
3. Perfore un agujero de 5/32" (0,5 cm) en la plataforma en cada uno de las dos (2) anclas. El tamaño correcto de broca de concreto debe ser obtenido cuando se compran los tornillos de concreto.
4. Instale los tornillos Tapcon y arandelas en cada uno de los dos (2) agujeros para asegurar el vaso a la plataforma de los equipos. No se exceda en apretar los tornillos.

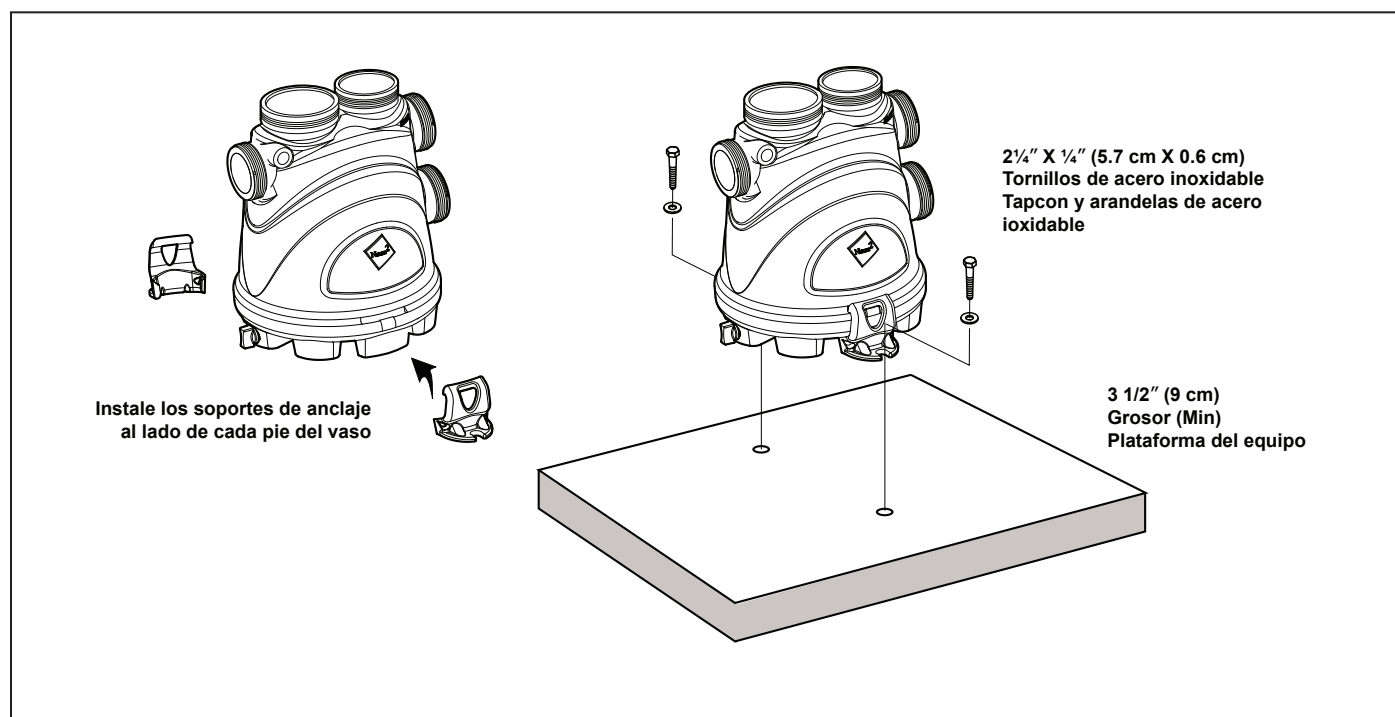


Figura 2. Instalación de los soportes de anclas



### 3.4 Instalación del Nature<sup>2</sup> Fusion

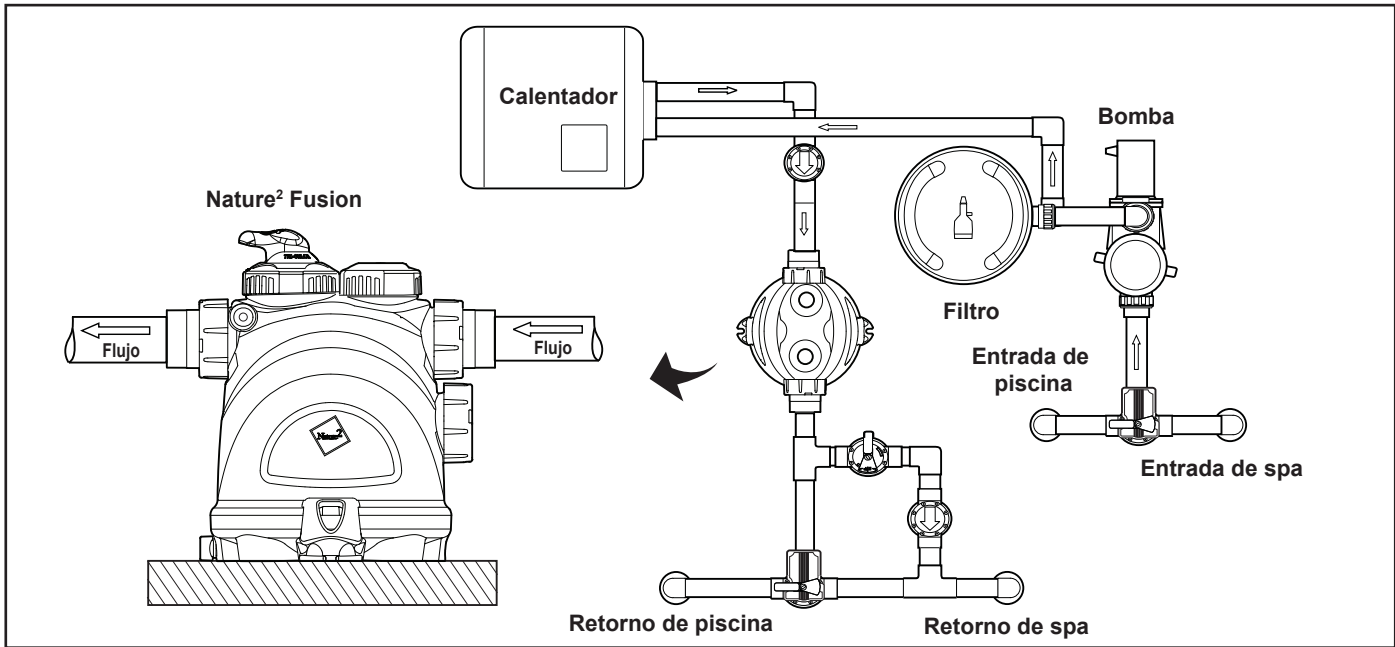


Figura 3. Ejemplo de instalación del Nature<sup>2</sup> Fusion

1. Asegúrese de que la bomba de la piscina este apagada.
2. Quite la tapa temporal en el lado del cartucho del vaso, e instale el cartucho de arranque Nature<sup>2</sup> incluido en la caja.
3. Localice una sección adecuada de la tubería a instalar el vaso, de aproximadamente 17" (43 cm) de largo, que se ajusta a los requisitos de instalación descritos en la sección 3.2.
4. Recorte 13 7/8" (35 cm) de la sección de la 2" (o de 5 cm) la cañería para insertar el vaso (ver figura 4).
5. Conecte la salida del filtro o del calentador al puerto de entrada del vaso con la correspondiente tubería PVC cédula 40; asegure la conexión con pegamento que sea compatible con el PVC.

**NOTA** Bujes reductores pueden ser utilizados para dar cabida a tubos de 1,5"(3,8 cm), sin afectar el funcionamiento del Nature<sup>2</sup> Fusion.

6. Conecte el puerto de salida del vaso a la línea de retorno de la piscina con el mismo tipo de tubo de PVC y de asegure la conexión con el pegamento de tuberías. Deje transcurrir el tiempo suficiente para que seque el pegamento.

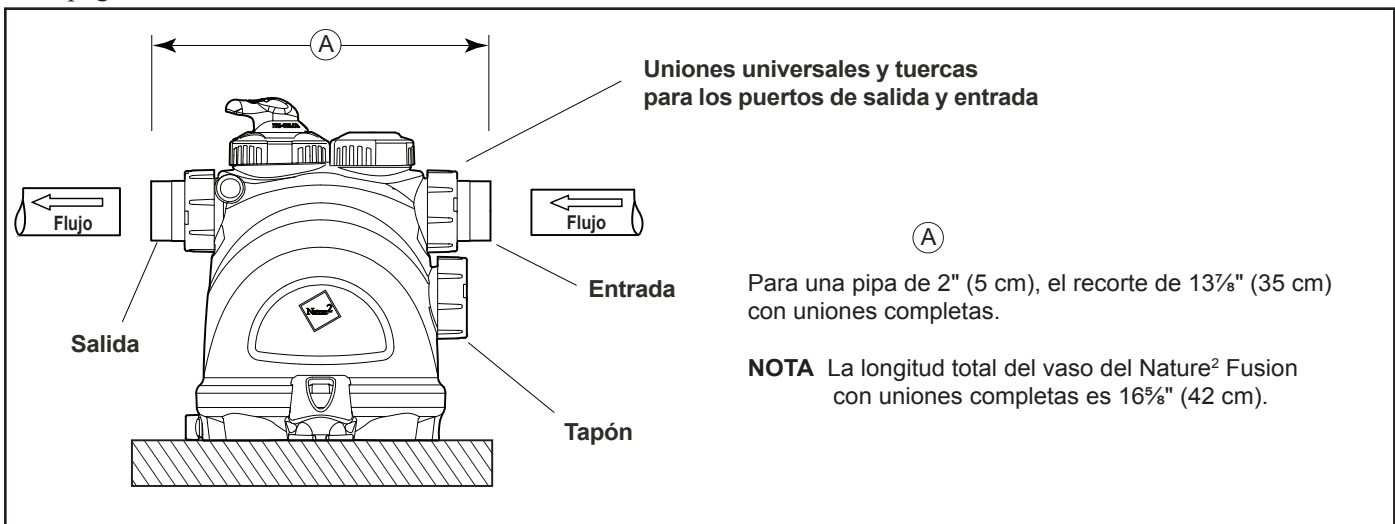


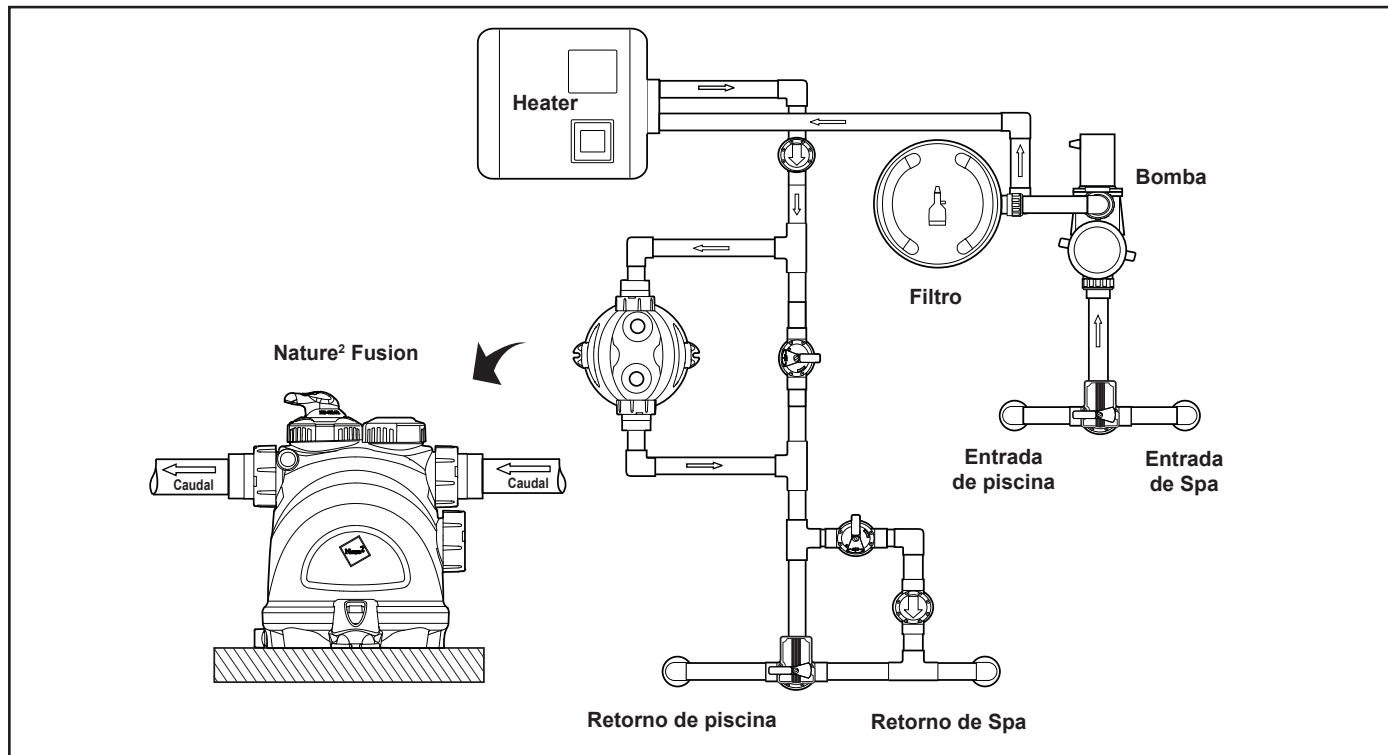
Figura 4. Recorte de pipa

7. Apriete a mano todos las uniones, el enchufe, y collares.

**⚠ PRECAUCION**

Tenga cuidado de no dejar los dedos atrapados entre las uniones de entrada y el enchufe cuando apriete ya que esto puede causar una lesión.

8. Arranque la bomba y revise si hay fugas.



**Figura 5. Ejemplo de una instalación de derivación**

### 3.5 Instalación de derivación (bypass)

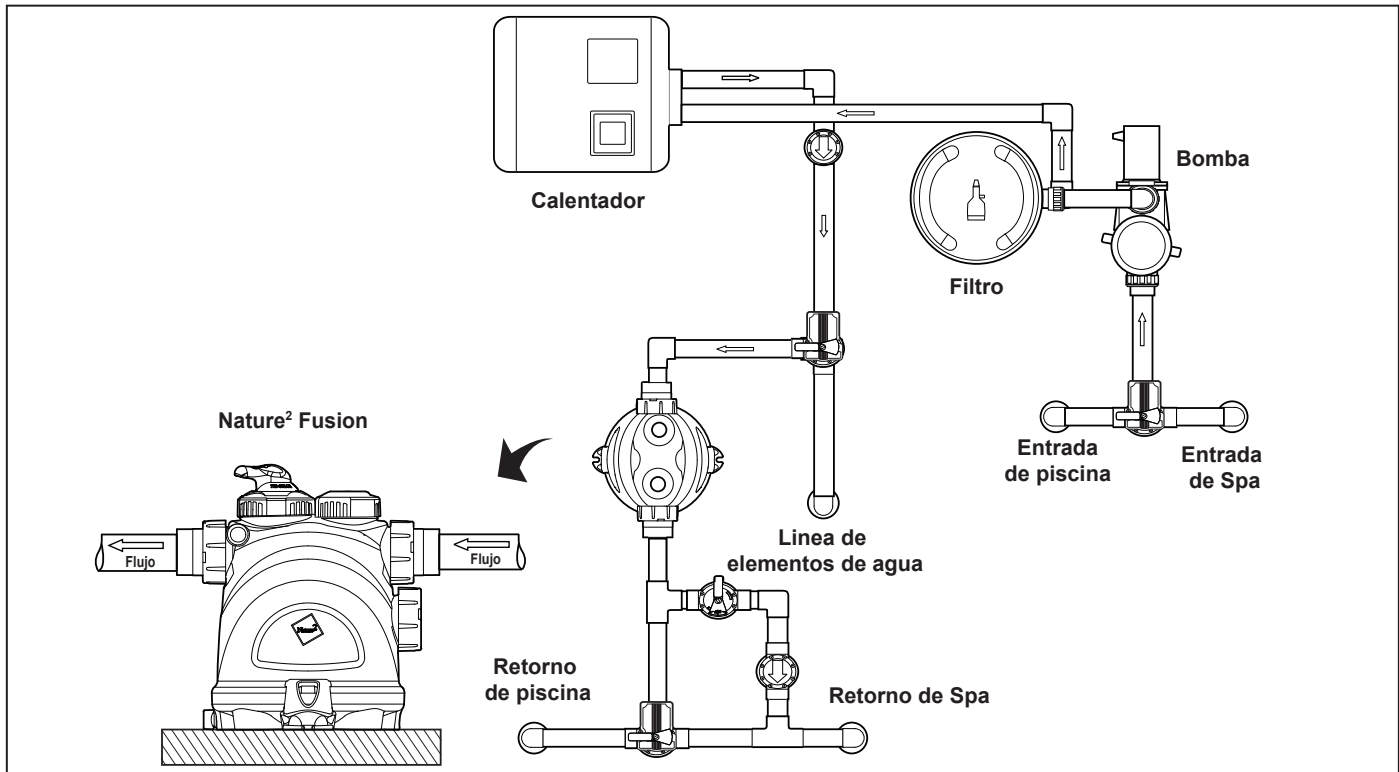
Si el tamaño de cañerías es mayor de 2" (5 cm) de diámetro o si las tasas de flujo son mayores de 120 gpm (455 lpm), el vaso deberá ser instalado en sistema de derivación. Se recomienda que 2" (5 cm) de PVC cédula 40 de tubo se utiliza para la plomería de línea de derivación. Una válvula de control debe ser instalada para regular el flujo a través del vaso. Puede ser instalado en el lado de la entrada del vaso o entre la entrada y el lado de descarga de la tubería de derivación (ver Figura 5).

1. Asegúrese de que la bomba de la piscina este apagada.
2. Quite la tapa del temporal en el lado del cartucho del vaso, e instale el cartucho de arranque Nature<sup>2</sup> incluido en la caja.
3. Localice una sección adecuada de la tubería en la línea de derivación para instalar el vaso, de aproximadamente 17" (43 cm) de largo, que se ajusta a los requisitos de instalación descritos en la sección 3.2.
4. Instale las uniones "T" en la línea de retorno para que el agua se desvie hacia el vaso.
5. Conecte la línea de derivación desde la union "T" de salida a la entrada del vaso y de la salida del vaso a la segunda union "T".
6. Instale una válvula de control en la línea de ida y vuelta entre la union "T" de primera y segunda, o antes de la entrada del vaso en la línea de derivación para controlar el flujo de agua a través de la línea de derivación.
7. Abra completamente todas las válvulas de cierre, incluyendo la válvula de control, y arranque la bomba desviando el agua a través de la nueva instalación de derivación.
8. Apriete a mano todos las uniones, los sensores, y collares.

**⚠ PRECAUCION**

Tenga cuidado de no dejar los dedos atrapados entre la union y el enchufe de entrada cuando apriete ya que esto puede causar una lesión.

9. Verifique que no existan fugas en el vaso y en el sistema.



**Figura 6. Instalación de retorno dividido del Nature<sup>2</sup> Fusion**

### 3.6 Instalación de retorno dividido

Si el vaso que se utiliza con un sistema de elementos acuáticos, este debe ser instalado con una configuración de retorno dividido o daño al vasos podrían ocurrir (véase la figura 6).

1. Asegúrese de que la bomba de la piscina este apagada.
2. Quite la tapa temporal en el lado del cartucho del vaso, e instalar el cartucho de arranque Nature<sup>2</sup> incluido en la caja. No se despoje de la tapa. Será utilizada para el invierno del sistema.
3. Localizar una sección adecuada de la tubería para instalar el vaso de acuerdo a los requisitos de instalación descritos en la sección 3.2.
4. Instale una válvula de 3 vías en la línea de retorno para que el agua se desvíe/restringido al vaso y la línea de elementos acuáticos.
5. Abra completamente todas las válvulas cerradas, incluyendo las válvulas de 3 vías, para permitir el flujo irrestricto al vaso y la línea de elementos de agua.
6. Apriete a mano todas la uniones, los sensores, y collares.

**⚠ PRECAUCION**

Tenga cuidado de dejar los dedos atrapados entre la union de entrada y el enchufe cuando lo apriete ya que esto puede causar una lesión.

7. Arranque la bomba y deje que el agua pase a través del nuevo sistema sondeado. Verifique si hay fugas.
8. Asegúrese de que el flujo del Nature<sup>2</sup> Fusion no baje mas de 30 GPM (114 LPM).

## Sección 4. Preparación del agua para piscina

### 4.1 Determinación para el tamaño de piscina (galones de agua en su piscina)

- **Piscinas Rectangulares**  
Longitud media (pies) x anchura media (pies) x profundidad media (pies) x 7.5 = galones de capacidad.
- **Piscinas circular**  
Diámetro (pies) x diámetro (pies) x profundidad media (pies) x 5.9 = galones de capacidad.
- **Piscinas ovales**  
Diámetro Largo (pies) x diámetro corto (pies) x profundidad media (pies) x 5.9 = galones de capacidad.
- **Lados inclinados**  
Multiplica el total de galones por 0,85 = galones de capacidad.

### 4.2 Determinación de tamaño piscina (litros de agua en su piscina)

- **Piscinas Retangulares**  
Longitud media (metros) x ancho medio (metros) x profundidad media (metros) x 1000 = litros de capacidad.
- **Piscinas circular**  
Diámetro (metros) x diámetro (metros) x profundidad media (metros) x 790 = litros de capacidad.
- **Piscinas ovales**  
Diámetro Largo (metros) x diámetro corto (metros) x profundidad media (metros) x 790 = litros de capacidad.
- **Lados inclinados**  
Multiplicar el total por 0,85 litros = litros de capacidad.

### 4.3 Selección del tamaño del cartucho

Para piscinas de hasta 25.000 galones (95,000 L)	Para piscinas de hasta 35.000 galones (135,000 L)	Para piscinas de hasta 45.000 galones (170,000 L)
DuoClear® 25 o Nature <sup>2</sup> Fusion 25 #W28000 (singular) #W26000 (4-paquete)	DuoClear 35 o Nature <sup>2</sup> Fusion 35 #W28001 (singular) #W26001 (4-paquete)	DuoClear 45 o Nature <sup>2</sup> Fusion 45 #W28002 (singular) #W26002 (4-paquete)

**Regla general de tamaños:** En las zonas de uso del todo el año y altas temperaturas del agua, como Florida, Texas, Arizona, Las Vegas y el sur de California, la debe considerar lo siguiente:

**Agua de alta temperatura:** Debido a que aumenta la demanda de cloro con el aumento de la temperatura del agua, los ajustes deben hacerse a fin de cumplir con la demanda de cloro. En los meses de verano, donde la temperatura del agua sube por encima de 85°F, debe aumentar el tiempo de ejecución de la bomba y aumentar la producción de cloro.

### 4.4 Química que usted necesita saber

- **Estabilizador de cloro** (ácido cianúrico) es necesario para mantener los niveles adecuados de cloro. La mayoría del cloro no-estabilizado es destruido por la radiación UV del sol dentro un periodo de dos (2) horas. El esstabilizador de cloro debe mantenerse entre 10 - 50 ppm. La adición de estabilizador de cloro no es necesario para las piscinas cubiertas.
- **Los nitratos** pueden causar altas demandas de cloro muy alta y se agotan el cloro de su piscina. En algunos casos, incluso los nitratos pueden bajar sus niveles de cloro a cero. Su representante de servicio local puede probar los nitratos. Asegúrese de que los nitratos no están presentes en su piscina.
- **Metales**, algunos metales pueden causar la pérdida de cloro. Además, los metales pueden manchar su piscina. Pídale a su representante local de servicios para que verifique los metales y los métodos recomendados de eliminación.



- **Las cloraminas** no deben estar presentes en el agua de la piscina. Cuando la materia orgánica se combinan con el cloro libre, se forman las cloraminas. Esto sujeta al cloro libre en la piscina y no permite que el cloro en la piscina desinfecte. Las cloraminas también nublan el agua de la piscina y queman los ojos. Realice un choque para eliminar las cloraminas en el arranque inicial de la piscina.
- **La super cloración** quema el material orgánico que se ha combinado con el cloro. Esto libera el cloro para desinfectar. Esto se logra elevando el nivel de cloro de forma rápida y drásticamente.
- **Dosis de Shock** (Superoxidación) es también una forma de quemar el material orgánico que se ha combinado con el cloro. Este método implica la adición manual de productos químicos para aumentar rápidamente el nivel de cloro. Cuando el nivel de cloro se levanta rápidamente de 5 a 15 ppm, el agua de la piscina se dice que se ha recibido una dosis de shock.

**NOTA** En el arranque inicial de una piscina, es mejor proveer una dosis de shock de una fuente alternativa, es decir, utilizar un tratamiento de dosis de shock disponibles en su proveedor local de la piscina.

- Piscina con agua nueva en una recientemente llenada o en una piscina recién barnizada/revestidas puede contener materias indeseables. Esta materia no deseada podría interferir con la capacidad del vaso para desinfectar adecuadamente. Asegúrese de que el agua sea probada por un representante de servicio y debidamente equilibrada antes de encender el sistema de cloración.
- **Los agentes de secuestro** puede ser utilizados en algunas áreas donde la dureza total del agua de su fuente puede ser inusualmente alta. Elevada dureza total, puede contribuir a la formación de sarro en la piscina. Los agentes de secuestros ayudarán a mantener los minerales en solución y en ciertas condiciones puede impedir que esto suceda. Consulte a su representante de servicio sobre el uso de un agente de secuestro.

#### 4.5 Agua de piscina con condiciones óptima

De acuerdo con las normas de la Asociación de Profesionales de Pool y Spa (APSP), se recomiendan las condiciones siguientes del balance del agua que se mantendrá en una base en curso para proteger el acabado de la piscina y los equipos y garantizar la agradable apariencia del agua. La Nature2 Fusion esta garantizado para funcionar correctamente sólo si se cumplen estas condiciones.

**Cloro Libre** 0,5 a 1,0 ppm. La exposición continua a niveles por encima de 3,0 ppm puede causar corrosión de los metales de la piscina. Consulte la Sección 6.2 de cloro de pruebas.

**Cloro combinado (cloraminas)** Ninguno (Super clorinado para eliminar todas las cloraminas).

**pH** 7,4 a 7,6 (utilización de ácido muriático para bajar el pH y la ceniza de soda y elevar el pH).

**Estabilizador de cloro (ácido cianúrico)** 10 - 50 ppm.

**Alcalinidad** Total 80 a 120 ppm.

**Dureza del calcio** 175 a 400 ppm.

**Metales (hierro, manganeso)** Ninguno.

**Nitrato** Ninguno.

**Fosfato** Ninguno .



## 4.6 Información del estabilizador de cloro

**Tabla 1. Libras aproximada y kilogramos de estabilizador necesario para obtener 50 ppm**

Actual nivel de ácido cianúrico - ppm	Galones y (Litros) de agua en piscina/Spa							
	10,000 gal (38,000 L)	15,000 gal (57,000 L)	20,000 gal (76,000 L)	25,000 gal (95,000 L)	30,000 gal (113,000 L)	35,000 gal (132,000 L)	40,000 gal (151,000 L)	45,000 gal (170,000 L)
0	4.2 lbs (1.9 kg)	6.3 lbs (2.9 kg)	8.4 lbs (3.8 kg)	10.5 lbs (4.8 kg)	12.6 lbs (5.7 kg)	14.8 lbs (6.7 kg)	16.9 lbs (7.6 kg)	19.0 lbs (8.6 kg)
10	3.4 lbs (1.5 kg)	5.1 lbs (2.3 kg)	6.7 lbs (3.1 kg)	8.4 lbs (3.8 kg)	10.1 lbs (4.6 kg)	11.8 lbs (5.4 kg)	13.5 lbs (6.1 kg)	15.2 lbs (6.9 kg)
20	2.5 lbs (1.1 kg)	3.8 lbs (1.7 kg)	5.1 lbs (2.3 kg)	6.3 lbs (2.9 kg)	7.6 lbs (3.4 kg)	8.9 lbs (4.0 kg)	10.1 lbs (4.6 kg)	11.4 lbs (5.2 kg)
30	1.7 lbs (0.8 kg)	2.5 lbs (1.2 kg)	3.4 lbs (1.5 kg)	4.2 lbs (1.9 kg)	5.1 lbs (2.3 kg)	5.9 lbs (2.7 kg)	6.7 lbs (3.1 kg)	7.6 lbs (3.4 kg)
40	0.8 lbs (0.4 kg)	1.3 lbs (0.6 kg)	1.7 lbs (0.8 kg)	2.1 lbs (1.0 kg)	2.5 lbs (1.2 kg)	3.0 lbs (1.3 kg)	3.4 lbs (1.5 kg)	3.8 lbs (1.7 kg)

**NOTA** La tabla de arriba es para referencia general. La lectura recomendada es de estabilizador de entre 10 - 50 ppm y que varían en función del clima geográfico. Climas cálidos y soleados exigirá una lectura estabilizador en el extremo superior del rango indicado. Consulte a su representante local para su nivel óptimo. Siempre añada estabilizador de acuerdo a las instrucciones del fabricante. No es necesario añadir estabilizador para las piscinas cubiertas.

### PRECAUCIÓN

Es importante tener en cuenta que ciertos materiales utilizados en, y alrededor de, las piscinas y los spa pueden no ser compatibles con las sustancias químicas utilizadas comúnmente para purificar el agua de la piscina y del spa (p. ej. ácidos, cloro, sal, estabilizadores, etc.).

Por lo tanto, Zodiac Pool System, Inc. no garantiza que el agua clorada generada por el Nature<sup>2</sup> Fusion no ocasione daños o destrozos a ciertos tipos de plantas, placas, revestimientos y otros tipos de materiales utilizados en la piscina y/o spa o en las áreas circundantes. Antes de elegir los materiales que utilizará en la construcción de su piscina y/o spa y en las áreas circundantes, converse con su constructor para evaluar la compatibilidad de los materiales con las sustancias químicas.

A continuación le ofrecemos algunas consideraciones útiles:

- Elija plantas que puedan soportar el salpicado de agua de la piscina con contenido de cloro y/o sal y otras sustancias químicas desinfectantes.
- Todas las partes de metal usadas en y alrededor de la piscina deberán ser de acero inoxidable de alto grado.
- Selección cuidadosa de los productos de mampostería. La porosidad y la dureza de la piedra natural varía mucho. En consecuencia, le recomendamos que le consulte a su constructor o proveedor de materiales de construcción sobre la mejor opción de materiales de construcción para el área alrededor de la piscina o spa.
- El sellado de todos los materiales de mampostería. Los profesionales de la industria de la construcción recomiendan que, aún la piedra natural en especial cuando se utiliza a la intemperie, se debe sellar para prevenir la erosión, coloración, y degradación prematura. Consulte a quien le provee los materiales de construcción o placas sobre los productos de mampostería que haya seleccionado para las áreas alrededor de la piscina o spa.
- La aplicación de los selladores se debe repetir regularmente para obtener resultados óptimos. Aplique de nuevo el sellador de protección a intervalos regulares de acuerdo con las instrucciones del fabricante.



## Sección 5. Instrucciones de operación

### 5.1 Arranque

Antes de usar un cartucho nuevo de Nature<sup>2</sup>, limpie de escombros y algas de la piscina y el equipo de la piscina y verifique la piscina está bien balanceada (véase la sección 4.5). Consulte el manual del usuario de cartucho Nature<sup>2</sup> para los procedimientos de arranque del cartucho.

#### 5.1.1 Procedimiento de arranque del cartucho

1. Instale el cartucho después de que el agua ha sido balanceada.
2. Con el sistema de circulación apagado (OFF), remueva el collar de la parte del Nature<sup>2</sup> del sistema. Si se trata de un sistema recién instalado, retire y guarde el tapón temporal suministrado con la unidad.
3. Inserte el cartucho de arranque y reemplaze el collar.
4. Encienda el sistema circulación de la piscina.
5. Para las piscinas de nuevo llenado que van a usar tabletas de cloro (Nature<sup>2</sup> Fusion bajo suelo) o para las piscinas existentes; sustituir después de siete (7) días con el cartucho de minerales Nature<sup>2</sup> (ver sección 4.3).

#### 5.1.2 Dosis de Shock

Dosis de shock (superoxidation) al agua de la piscina utilizando una fuente alternativa en el momento de arranque de la piscina para quemar contaminantes y activar el cartucho de minerales. Active la bomba de circulación a 24 horas por cuatro (4) días, o seis (6) horas al día durante 14 días, mientras mantenga de 1 a 3 ppm de cloro libre disponible. Deje que el cloro se disipe gradualmente a 0,5 ppm, una vez que el período de circulación se complete.

### 5.2 Filtración y circulación

Siga las instrucciones del fabricante para el mantenimiento de la bomba de circulación en buenas condiciones de funcionamiento y operar por lo menos seis (6) horas del día. Consulte a su distribuidor Nature<sup>2</sup> para tiempos de ejecución óptima.

Revise periódicamente el filtro de la piscina y límpielo según lo recomendado por el fabricante.

### 5.3 Adición de tabletas de cloro

#### PELIGRO

**USO DE PRODUCTOS QUÍMICOS DE RIESGO:** La fusión Nature<sup>2</sup> está diseñado para utilizar sólo tabletas de Tricloro-S-triazina - tipo de disolución lenta. Nunca mezcle o el uso con otros tipos de cloro o productos químicos. Explosión o un incendio.

#### ADVERTENCIA

Para evitar lesiones o daños a la propiedad del agua con cloro, añada tabletas Tri-cloro lentamente para evitar salpicaduras.

Por favor revise las instrucciones de uso de productos químicos en la primera página de este manual antes de abrir la cámara de cloro. En condiciones normales, el gran dispensador de cloro de la capacidad de la fusión Nature<sup>2</sup> ofrece un mínimo de un (1) mes de cloración para piscinas de gran tamaño. La tasa de alimentación de cloro se puede controlar fácilmente mediante el ajuste del dial regulador de cloro para el control de la velocidad del flujo de agua a través de la cámara de cloro, y la cantidad de tabletas de cloro Tri-cloro puestas en el dispositivo.

Para añadir: Gire el collar en sentido antihorario para remover y levantar la tapa. Para evitar salpicaduras de agua, agregue lentamente la cantidad deseada de disolución lenta de tabletas Tri-cloro, a unos diez tabletas de 3" (4,36 kg / 2 kg), o casi 4 libras de tabletas de 1". Reemplace la tapa y gire el collar hacia la derecha hasta que encaje.

#### 5.4 Instrucciones de primeros auxilios

Si usted recibe salpicado de agua clorada en la adición de las tabletas, siga las instrucciones de primeros auxilios:

##### **Contacto con los ojos:**

Lavar con abundante agua durante al menos 15 minutos, levantando los párpados superior e inferior.

##### **Contacto con la piel:**

En caso de contacto, lave con abundante agua durante al menos 15 minutos mientras se quita la ropa y zapatos contaminados.

#### 5.5 Recomendaciones

##### **Lista de actividades que se deben hacer**

- Lea y guarde el manual en un lugar seguro.
- Añada tabletas de Tri-cloro lentamente para evitar salpicaduras de agua.
- Aumente la producción de cloro antes de cantidad alta y regresar a la normalidad después.
- Aumente la producción de cloro cuando la temperatura sube.
- Disminuya la producción cuando la temperatura baja (por ejemplo, en el otoño e invierno).
- Tome muestra de agua de la piscina para el representante de servicio una vez por mes.

##### **Lista de actividades que no se deben hacer**

- No tire el fertilizante en su piscina. Los fertilizantes contienen nitratos que causan una alta demanda de cloro en el agua de la piscina.
- No deje que el estabilizador de cloro disminuya por debajo de 10 ppm.



## Sección 6. Instrucciones de mantenimiento para el usuario

La siguiente información describe cómo cuidar a su Nature<sup>2</sup> Fusion.

### 6.1 Diariamente

1. **Filtración y la circulación.** Siga las instrucciones del fabricante para el mantenimiento de la bomba de circulación en buen estado y funcionamiento de por lo menos seis (6) horas del día. Consulte a su distribuidor de Nature<sup>2</sup> para tiempos de actividad óptimos. Revise periódicamente filtro de la piscina, límpielo como recomendado por el fabricante.

### 6.2 Semanal

1. **Prueba de cloro.** Prueba de nivel de la piscina de agua de cloro con un dispositivo de prueba fiable. Mantener el rango ideal mediante el ajuste de la tasa de fusión de cloro Nature<sup>2</sup> de producción (ver sección 5.4). Recomendado cloro libre es 0,5 a 1 ppm. Puede ser tan bajo como 0.5 ppm (0.6 ppm en Canadá) con el uso de un cartucho de Nature<sup>2</sup> que está dentro de su vida útil normal de funcionamiento.

**NOTA** Se recomienda que las muestras de prueba de cloro se tomará de dos (2) lugares, uno (1) en la línea de retorno de la piscina, el otro bien lejos de la línea de retorno de la piscina. Comparar las muestras. Un nivel más alto se encuentra en la línea de retorno de la piscina. El nivel más alto en la línea de retorno de la piscina indica la Nature<sup>2</sup> Fusion es la producción de cloro.

a. En la línea de retorno de la piscina.

b. De 18" (46 cm) por debajo de la superficie y lejos de la línea de retorno de la piscina.

2. **Prueba de nivel de pH.** Pruebe el nivel de pH de su piscina con un dispositivo de prueba. Si es necesario, ajustar de acuerdo a las recomendaciones de su representante de servicio. APSP estándar es de 7,4 a 7,6.

### 6.3 Mensual

1. **Muestra de agua de piscina.** Tome muestras de agua a la tienda local de la piscina para la prueba.

2. **Alcalinidad total de prueba.** Pruebe el agua de la piscina la alcalinidad total con un dispositivo de prueba. Ajuste de acuerdo a las recomendaciones de su representante de servicio calificado. El estándar APSP es de 80 a 120 ppm.

3. **Estabilizador (ácido cianúrico).** Pruebe de la piscina de agua estabilizante (ácido cianúrico) nivel de uso de un dispositivo de prueba o llevar muestra de agua a prueba por un representante de servicio. Mantener el rango ideal de 10 a 50 ppm. Siga las recomendaciones de su representante de servicio. La adición de estabilizador no es necesario para piscinas cubiertas.

4. **La dureza de calcio.** Pruebe el agua de la piscina para el nivel de calcio de dureza con equipo de prueba o por tener una muestra parar un representante de servicio. Si es necesario, ajustar de acuerdo a las recomendaciones de su representante de servicio. Estándar de APSP es de 175 a 400 ppm, se recomienda (para las piscinas al aire libre).

5. **Prueba de Metales.** Se recomienda que el agua de la piscina debería comprobarse periódicamente para detectar la presencia de metales tales como hierro y manganeso. Estos metales no deberían estar presentes en el agua de la piscina. Si estos metales están presentes, en contacto con su representante de servicio local.

### 6.4 Cartucho de repuesto de minerales Nature<sup>2</sup>

El cartucho de Nature<sup>2</sup> tiene una duración de seis (6) meses o un (1) temporada de la piscina (la que sea el más corto periodo de tiempo).

1. Apague la bomba de la piscina y el filtro.

2. Las válvulas se cierran entre el filtro y la piscina para evitar el drenaje de la piscina.

3. Gire hacia la izquierda el collar grande para removerlo y levantante la tapa.
4. Saque el cartucho antiguo y deséchelo en la basura. Inserte el nuevo cartucho (ver sección 4.3)
5. Coloque la tapa en la carcasa del vaso.

**IMPORTANTE** Asegúrese de que el anillo tórico este seguro en la ranura en la parte superior del vaso, no en la parte inferior de la tapa. Gire el collar grande hasta que encaje en su lugar, no los apriete demasiado.

6. Abra todas las válvulas que fueron cerradas anteriormente para aislar el Nature<sup>2</sup> Fusion.

## 6.5 Invernación

### PRECAUCION

Asegúrese de usar guantes, protección ocular, y proteger a toda la piel expuesta al retirar tabletas de cloro. Revise la información sobre seguridad y de primeros auxilios con todos los productos químicos antes de usar.

Consulte a su distribuidor para obtener información completa sobre el cuidado de la piscina y el mantenimiento en temperaturas más frescas.

En climas fríos, donde se cierra la piscina:

1. Retire el cartucho de Nature<sup>2</sup> y desechar con la basura del hogar. Ponga la tapa en la unidad temporal y apriete el collar.
2. Uso de Examen de Productos Químicos de peligro en la página tres (3) de este manual antes de abrir la cámara de cloro. Retire con cuidado el resto de tabletas de cloro.
3. Reemplazar titular de cloro vacío en la unidad, vuelva a apretar el collar y ejecutar la bomba durante 30 minutos.
4. Retire y guarde el tapón de drenaje.
5. Enjuagar Nature<sup>2</sup> fusión bien con agua.
6. Si las líneas de soplado claro con el aire. Ajuste el regulador de cloro a 5.
7. Después de terminar el invierno, afloje collares. tórico

## 6.6 Arranque en primavera

1. Vuelva a colocar el tapón de drenaje.
2. Ponga en marcha la piscina como de costumbre.
3. Después de que el agua ha sido equilibrado, inserte el cartucho Nature<sup>2</sup> nuevo, añada las tabletas de cloro (vea la sección 5.3 para precauciones), y complete los procedimientos de arranque del cartucho como se explica en el manual del usuario del cartucho de Nature<sup>2</sup>.



## Sección 7. Solución de problemas

### ADVERTENCIA

Siempre apague la bomba antes de intentar de servicio o reparación. Su bomba y sistema de filtro es operado bajo la presión y la presión debe ser liberada antes de empezar para evitar daños al sistema o daños personales. Abra la válvula de aire en el filtro de la piscina para liberar la presión en el sistema.

### 7.1 Problemas y acciones correctivas

Problema	Possible causas	Acción correctiva
El vaso liquea.	El anillo tórico falta o esta mal sentado.	Asegúrese de que la junta tórica es seguro en la ranura de la cubierta del vaso, no en la tapa.
	Plomería defectuosa.	Repare la fuente de la fuga en las tuberías.
No hay flujo de los vasos.	Sucio (filtro de una indicación de la presión es 8 a 10 psi más alta de lo normal).	Limpieza o filtro de retrolavado.
Disminución o ausencia de cloro.	La producción de cloro muy baja.	Gire la manivela de producción de cloro para aumentar un mayor número de salida.
	El dispensador de cloro esta bajo o está vacío.	Vuelva a llenar el dispensador de cloro con tabletas de cloro.
	Estabilizador de baja (ácido cianúrico) nivel de agua de la piscina (piscina al aire libre).	Añada estabilizador de mantener 10 a 50 ppm (ver Sección 4.6, Tabla 1).
	Insuficiencia de horas de funcionamiento de la unidad.	Aumentar el sistema operativo de tiempo por día.
	Los recientes aumentos de temperatura de tiempo, sin aumentar la producción de cloro de su unidad.	
	La pérdida temporal de cloro debido a la pesada carga orgánica - la lluvia, hojas, fertilizantes o cantidad de bañistas pesados. Admite el uso de la piscina.	Aumento de la producción de cloro por convertir la producción de cloro para manejar un mayor número de salida. Establezca la bomba pueda funcionar durante 24 horas. Después de 24 horas, vuelva a comprobar los niveles de cloro. Si sigue siendo demasiado baja, con cloro estupenda con fuente alternativa.
	Alto nivel de nitratos.	Contacte a un representante de servicio calificado.
	Metales presentes en el agua de la piscina.	Contacte a un representante de servicio calificado.
	Piscina de agua nueva. No realizó correctamente en el arranque.	Realize super clorinación en la piscina.
Nivel de cloro muy alto.	La producción de cloro demasiado alto.	Gire la manivela de producción de cloro para disminuir el número de salida.
Olor a cloro.	La presencia de cloraminas en exceso (combinados de cloro)	Aplique una dosis de shock a la piscina.
El agua turbia, paredes viscosas de cubierta.	Han pasado seis (6) meses desde que se instaló cartucho presente.	Sustituya el cartucho.
	Combinado algas y bacterias.	Cepille las paredes afectadas y siga las instrucciones en la Sección 5.1.1 Shocking.
De ojos y / o irritación de la piel.	Balance de agua inadecuado.	Balance del agua a los niveles recomendados en la sección 4.5.
La formación de incrustaciones en el equipo de la piscina.	PH incorrecto causando minerales a salir de la solución.	Ajuste la alcalinidad total a 80 - 120 ppm. Luego, ajustar el pH dentro de 7,4 a 7,6
	Elevada dureza total.	Diluya la piscina con agua dulce. Consulte a un representante de servicio cualificado sobre el uso de un agente de secuestro.

## Sección 8. Vista ampliada y piezas de repuesto

### 8.1 Piezas de repuesto del vaso bajo suelo del Nature<sup>2</sup> Fusion

No.	Juego #	Descripción	Cant
1	R0452100	Union universal/pieza posterior/ tapón, Incluye: Tuerca, union universal Anillo tórico, #2-231 Pieza posterior, 2" X 2 1/2" Tapón, puerto	3 3 2 1
2	W28000	DuoClear® 25 o Nature <sup>2</sup> Fusion 25	1p
	W26000	DuoClear 25 o Nature <sup>2</sup> Fusion 25	4p
	W28001	DuoClear 35 o Nature <sup>2</sup> Fusion 35	1p
	W26001	DuoClear 35 o Nature <sup>2</sup> Fusion 35	4p
	W28002	DuoClear 45 o Nature <sup>2</sup> Fusion 45	1p
	W26002	DuoClear 45 o Nature <sup>2</sup> Fusion 45	4p
3		Vaso con sistema de manejo de caudal, R0501600 Nature <sup>2</sup> Fusion, Nature <sup>2</sup> R0501800 Nature <sup>2</sup> Fusion, Nature <sup>2</sup> AG Incluye: Vaso Tapón, Drenaje Anillo Tórico, tapón/drenaje Soporte de anclas	1 1 1 2
4	R0502200	Juego de soporte de anclas	2
5	R0446000	Tapón de drenaje con anillo tórico	2
6	R0502300	Collar grande con anillo tórico	1
7	R0502400	Collar pequeño son anillo tórico	1
8	R0502500	Nature <sup>2</sup> Fusion, juego de anillo tórico, incluye: Anillo tórico, collar grande Anillo tórico, collar pequeño Anillo tórico, uniones y tapón de puerto Anillo tórico, eje de alimento Anillo tórico, tapón/drenaje	1 1 3 2 1
9	R0502600	Conjunto del alimentador Incluye: Cuerpo Cubierta Tapa Anillo tórico	1 1 1 2
10	R0502700	Manivela del alimentador	1

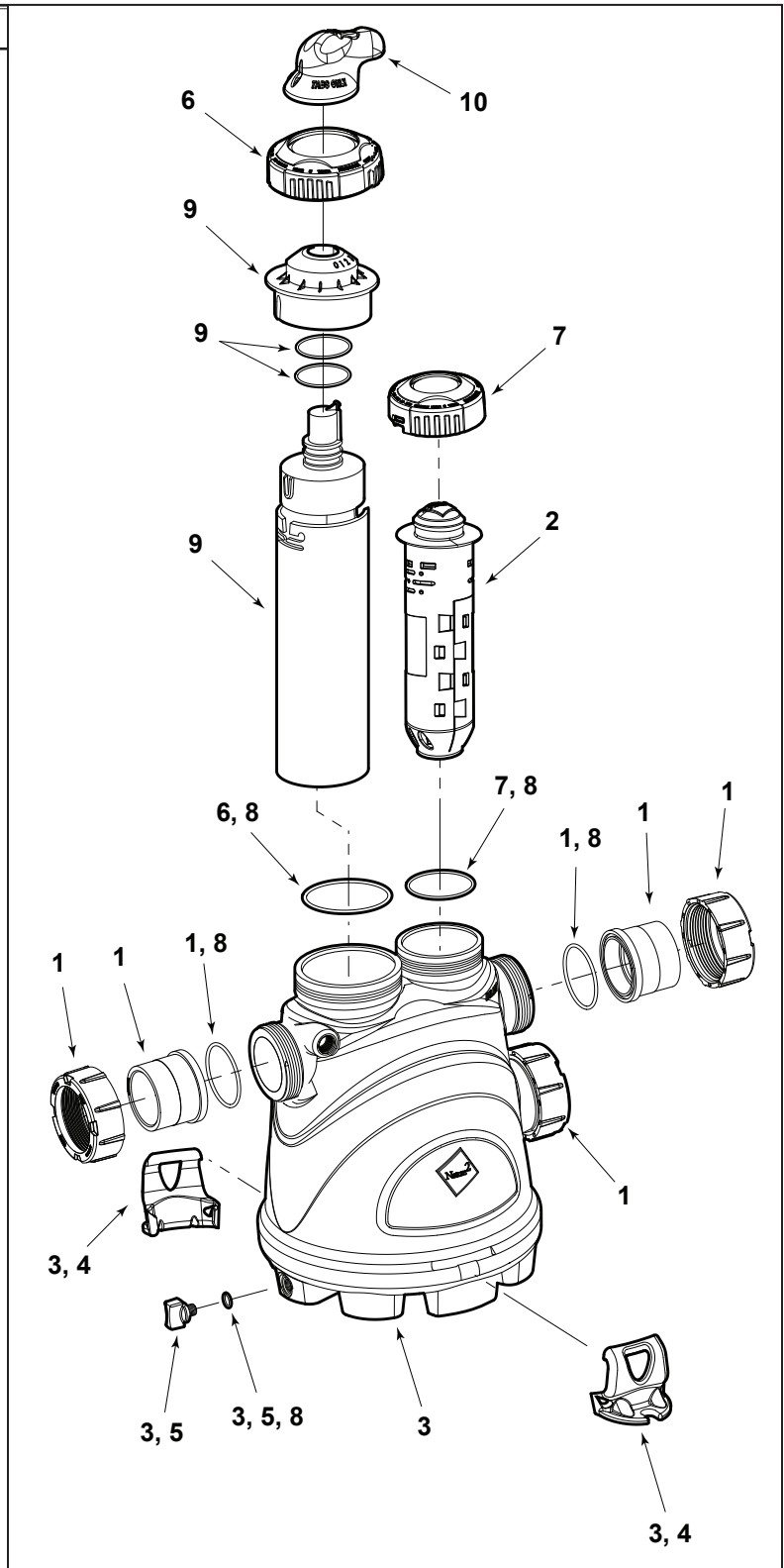


Figura 7. Vista ampliada del vaso bajo suelo del Nature<sup>2</sup> Fusion



**ZODIAC POOL SYSTEMS, INC.**

6000 Condor Drive • Moorpark, CA • 93021  
Tel: 800-822-7933 • Fax: 877-327-1403