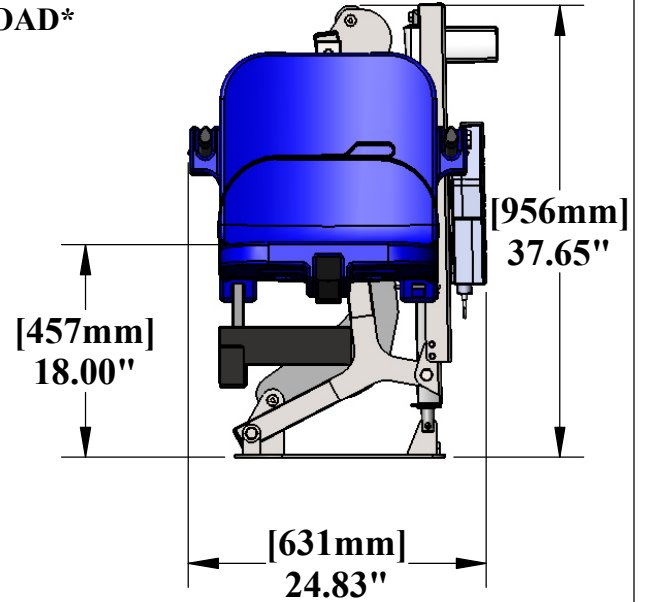
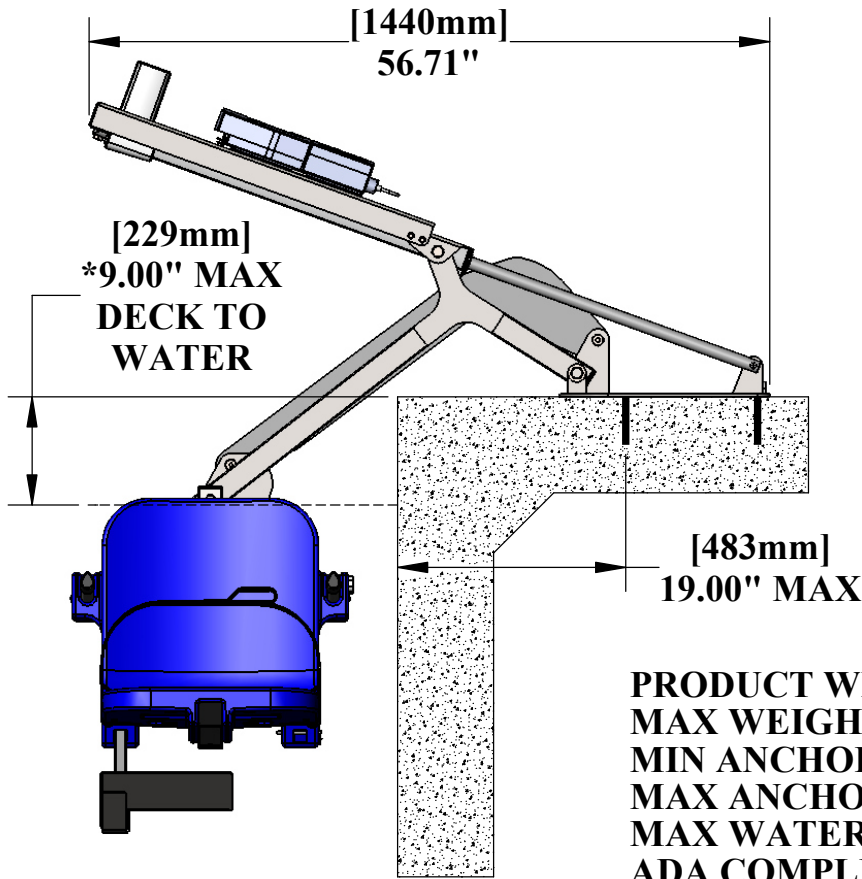


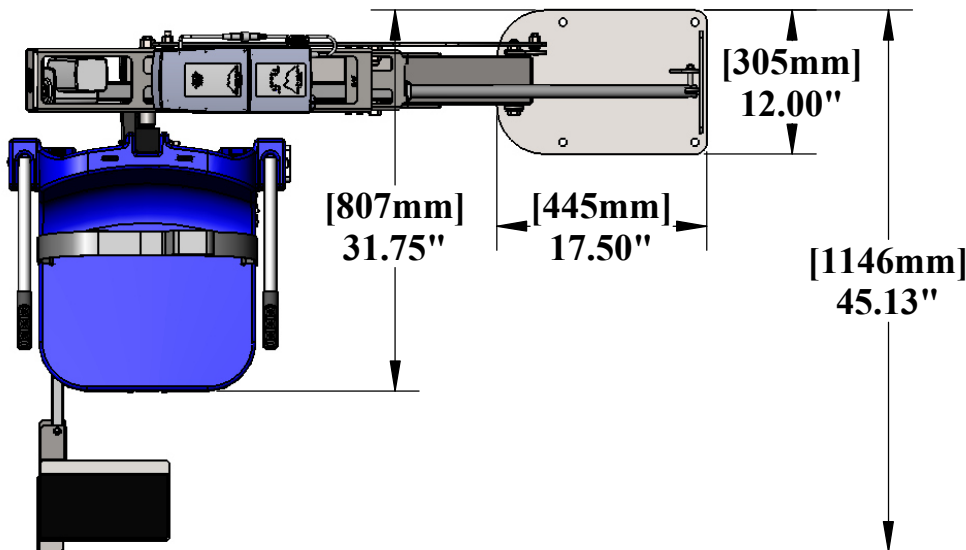
RANGER-AT REVERSE LIFT

US PATENT NO'S: [7,249,386 B2] [D507,769 S]

MEASUREMENT TAKEN WITH THE LIFT AT FULL LOAD



PRODUCT WEIGHT: 120lbs [54kg]
MAX WEIGHT CAPACITY: 350lbs [159kg]
MIN ANCHOR SETBACK: 14.5"
MAX ANCHOR SETBACK: 19"
MAX WATER DRAFT: *9"
ADA COMPLIANCE: THIRD PARTY VERIFIED BY WYLE LABS



Inspected And Verified To Meet
Applicable Sections of ADA
Guidelines Section 1009.2 By

wyle
laboratories

A Registered ISO 9001
Laboratory

Aqua Creek Products

9889 GARRYMORE LANE
MISSOULA, MT 59808
(406) 549-0769
FAX (406) 549-2602

NOTE:
*SPECIFICATIONS ARE SUBJECT TO CHANGE WITHOUT NOTICE

PRODUCT:	F-411RPL-R-AT1		
DWG #:	1 OF 1		
SCALE:	1:16	DATE:	12/9/2016
DRAWN BY:	EF	REVISION:	A