

18" SQUARE MUD FRAME WITH FOUR 9" SQUARE SUN/8HPH SUCTION OUTLET COVERS



**VGB CERTIFIED
SPECIFICATIONS**

Floor Flow Rating
1000 GPM at 3.1 fps

Wall Flow Rating
644 GPM at 2.0 fps

Sump Depth
6" minimum

Open Area
104.4 in²

FEATURES

All components meet or exceed ANSI/APSP 16-2011 and NSF/ANSI 50-2009a national standards and ASTM G154 UV testing exposure

Manufactured from superior UV-resistant engineered polymers

#316 stainless steel screws

Online product support including downloadable CAD files, General Certificate of Conformity, third-party certificate, installation instructions and more

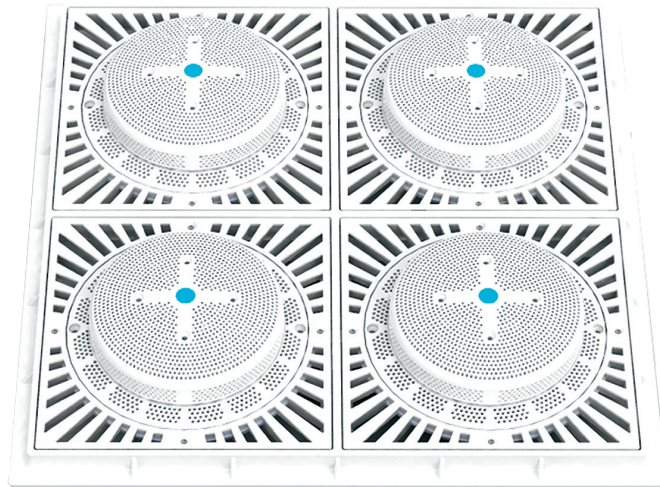
Trademarked VGB compliance button easily identifies VGB 2008 compliant cover from on deck and underwater

Replace drain cover every five years from the date of installation

4 per case

SUN Series

High flow rate – great for commercial installations



Part # SUN18HPHxxx

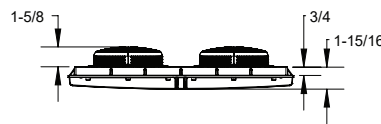
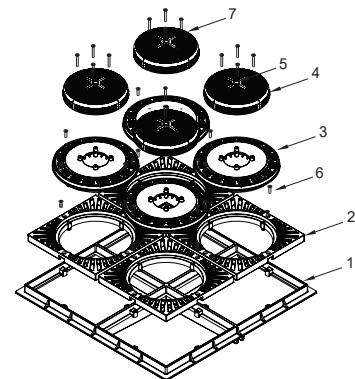
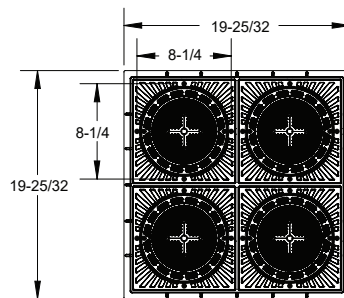
Fits: AquaStar standard 18" models and American (Pentair) with 3/4" deep existing window grid frame and 4x4 screw hole pattern.

STANDARD COLORS

- SUN18HPH101 – White
- SUN18HPH102 – Black
- SUN18HPH103 – Light Gray
- SUN18HPH104 – Blue
- SUN18HPH105 – Dark Gray
- SUN18HPH108 – Tan

Also available with four grates only for 3/4" deep retrofits
p/n RSUN18HPHxxx
1 per case

VGB 2008 Compliant



1. 18" Square Mud Frame
2. 9" Vented Square to 8" Round Adapter, Qty 4
3. 8" Round Frame, Qty 4
4. 6" Round Suction Outlet Cover, Qty 4
5. VGB Compliance Button
6. 10 x 3/4" Flat Head Phillips, 316 SS, Qty 24
7. 8-32 x 1-1/4" Flat Head Phillips, 316 SS, Qty 16

P 877-768-2717 F 877-276-POOL Outside the US: P +1-949-336-1940 F +1-949-336-1940

info@aquastarpoolproducts.com www.aquastarpoolproducts.com