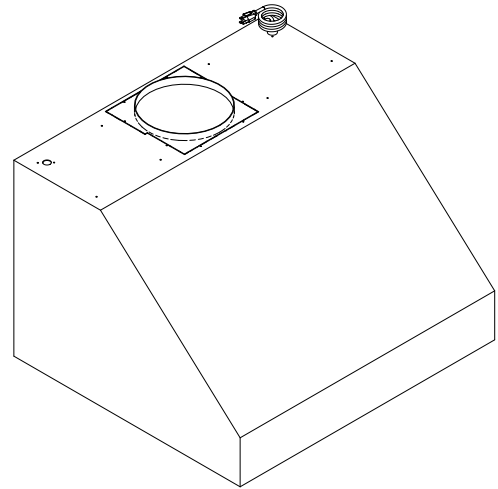
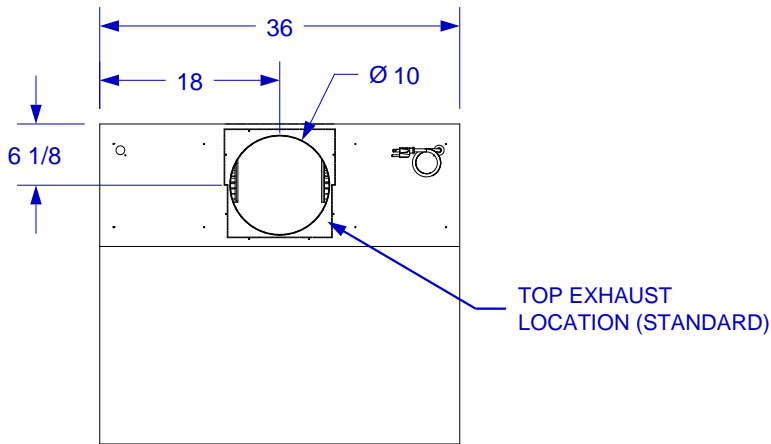




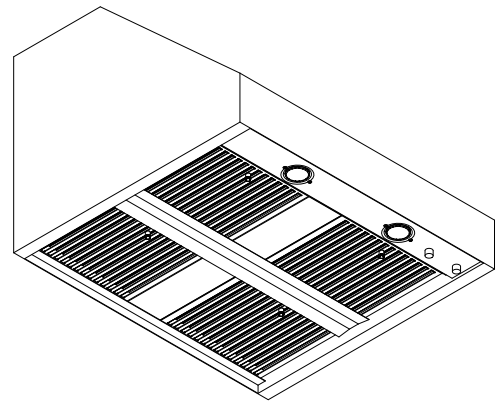
VENT HOOD SPEC SHEET



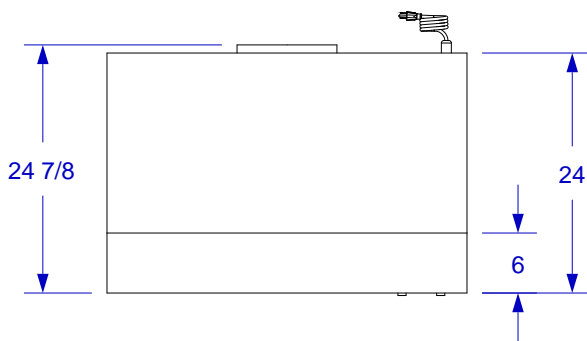
TOP ISOMETRIC VIEW



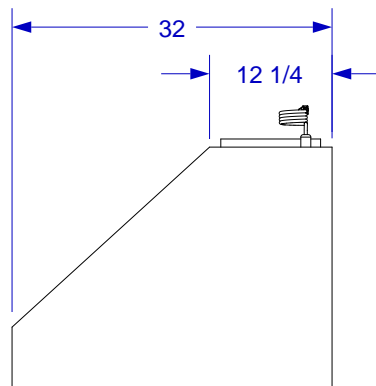
TOP VIEW



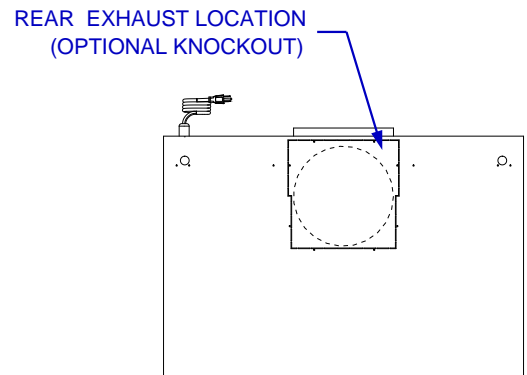
BOTTOM ISOMETRIC VIEW



FRONT VIEW



RIGHT SIDE VIEW



BACK VIEW

- NOTES:**
 1. 1250 CFM
 2. SCALE: 5/8" = 1'-0"
 3. REVISION: 08/2010