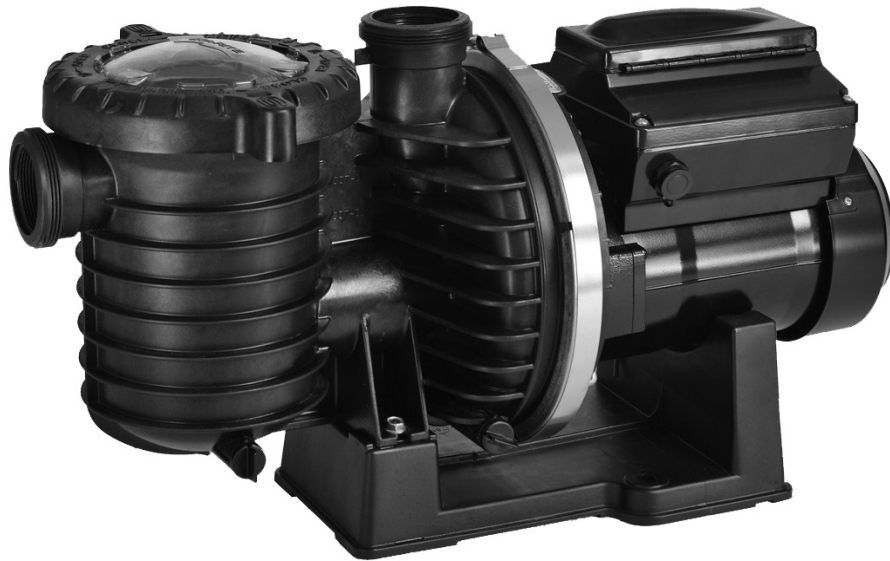


# STA-RITE®

## IntelliPro® Variable Speed Programmable Pump

(Compatible with IntelliComm® communication center and  
EasyTouch®, IntelliTouch® and SunTouch® control systems)



## Installation and User's Guide

IMPORTANT SAFETY INSTRUCTIONS  
*READ AND FOLLOW ALL INSTRUCTIONS*  
SAVE THESE INSTRUCTIONS



## Customer Service / Technical Support

If you have questions about ordering Pentair Water Pool and Spa (“Pentair”) replacement parts, and pool products, please use the following contact information:

**Customer Service** (8 A.M. to 5 P.M. — Eastern and Pacific Times)

Phone: (800) 831-7133

Fax: (800) 284-4151

### Web site

visit [www.pentairpool.com](http://www.pentairpool.com) or [www.staritepool.com](http://www.staritepool.com) to find information about Pentair products.

### Technical Support

**Sanford, North Carolina** (8 A.M. to 5 P.M. ET)

Phone: (919) 566-8000

Fax: (919) 566-8920

**Moorpark, California** (8 A.M. to 5 P.M. PT)

Phone: (805) 553-5000 (Ext. 5591)

Fax: (805) 553-5515

## Table of Contents

<b>Important Pump Warning and Safety Instructions</b> .....	<b>ii</b>	Priming the pump	<b>22</b>
<b>Pump Overview</b> .....	<b>1</b>	External Control with IntelliComm Communication Center	<b>23</b>
IntelliPro® Pump	1	Connecting the pump to EasyTouch and IntelliTouch Systems	24
External Control	1	Connecting the pump to a SunTouch System	26
Features	2	<b>User Maintenance</b> .....	<b>27</b>
IntelliPro® Drive Assembly and Control Panel	3	Pump Strainer Basket	27
IntelliPro® Motor Features	3	Pump Strainer Basket Service	27
<b>Operating the Control Panel</b> .....	<b>4</b>	Motor Service	28
IntelliPro® Operator Control Panel	4	Winterizing	29
Controls and LEDs	4	Priming the pump after service	29
<b>Operating the Pump</b> .....	<b>6</b>	<b>Installation and Removal</b> .....	<b>30</b>
Starting and stopping the pump	6	IntelliPro® Variable Speed Kit Contents	30
Operating the Pump at Preset Speeds	6	Installing the IntelliFlo®	30
Pump Operating Modes	7	Location	30
Programming the Pump	7	Piping	30
IntelliPro® Variable Speed Pump Menus	8	Electrical	30
Settings: Pump Address	9	Wiring the IntelliPro® Pump	31
Settings: Set Time	9	Ground Wire Connection	31
Settings: Set AM/PM or 24 Clock	10	Pump Disassembly	32
Settings: Set Temperature Unit	10	Shaft Seal Replacement	33
Settings: Screen Contrast Level	10	Pump Reassembly/Installing New Seal	33
Settings: Language	11	Drive Assembly Removal and Installation	34
Settings: Set Minimum Speed (RPM)	11	<b>Troubleshooting</b> .....	<b>35</b>
Settings: Set Maximum Speed (RPM)	11	Alerts and Warnings	35
Settings: Password	12	General IntelliPro® Troubleshooting Problems	36
Password Protection	12	<b>Replacement Parts</b> .....	<b>38</b>
Speed 1-8 (Schedule a Time to Run the Pump)	14	Illustrated Parts List	38
External Control	15	IntelliPro® Pump Dimensions	39
Features: Quick Clean	15	IntelliPro® Flow and Power vs Flow Pump Curve	39
Programming for Constant Run	15	IntelliPro® Electrical Specifications	39
Features: Time Out	16		
Priming	17		
Disable Priming Feature on the Pump	19		
AntiFreeze	20		

# IMPORTANT PUMP WARNING AND SAFETY INSTRUCTIONS



## IMPORTANT NOTICE

This guide provides installation and operation instructions for the IntelliPro® Variable Speed Pump. Consult Pentair with any questions regarding this equipment. **Attention Installer:** This guide contains important information about the installation, operation and safe use of this product. This information should be given to the owner and/or operator of this equipment after installation or left on or near the heat pump. **Attention User:** This manual contains important information that will help you in operating and maintaining this product. Please retain it for future reference.

## READ AND FOLLOW ALL INSTRUCTIONS SAVE THESE INSTRUCTIONS



This is the safety alert symbol. When you see this symbol on your system or in this manual, look for one of the following signal words and be alert to the potential for personal injury.

**⚠ DANGER** Warns about hazards that can cause death, serious personal injury, or major property damage if ignored.

**⚠ WARNING** Warns about hazards that may cause death, serious personal injury, or major property damage if ignored.

**⚠ CAUTION** Warns about hazards that may or can cause minor personal injury or property damage if ignored.

**NOTE** indicates special instructions not related to hazards. Carefully read and follow all safety instructions in this manual and on equipment. Keep safety labels in good condition; replace if missing or damaged.

When installing and using this electrical equipment, basic safety precautions should always be followed, include the following:

**⚠ WARNING** Do not permit children to use this product.

**⚠ WARNING** **Risk of Electrical Shock.** Connect only to a branch circuit protected by a ground-fault circuit-interrupter (GFCI). Contact a qualified electrician if you cannot verify that the circuit is protected by a GFCI.

**⚠ WARNING** This unit must be connected only to a supply circuit that is protected by a ground-fault circuit-interrupter (GFCI). Such a GFCI should be provided by the installer and should be tested on a routine basis. To test the GFCI, push the test button. The GFCI should interrupt power. Push the reset button. Power should be restored. If the GFCI fails to operate in this manner, the GFCI is defective. If the GFCI interrupts power to the pump without the test button being pushed, a ground current is flowing, indicating the possibility of an electric shock. Do not use this pump. Disconnect the pump and have the problem corrected by a qualified service representative before using.

**⚠ WARNING** This pump is for use with permanent swimming pools and may also be used with hot tubs and spas if so marked. Do not use with storable pools. A permanently-installed pool is constructed in or on the ground or in a building such that it cannot be readily disassembled for storage. A storable pool is constructed so that it is capable of being readily disassembled for storage and reassembled to its original integrity.

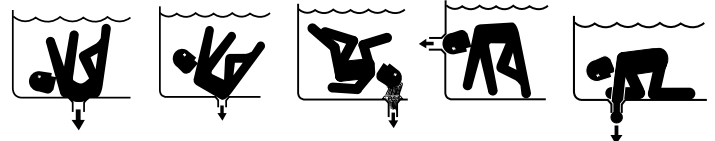
**⚠ CAUTION** This pump is for use with permanent swimming pools and may also be used with hot tubs and spas if so marked. Do not use with storable pools. A permanently-installed pool is constructed in or on the ground or in a building such that it cannot be readily disassembled for storage. A storable pool is constructed so that it is capable of being readily disassembled for storage and reassembled to its original integrity.

## General Warnings

- Never open the inside of the drive motor enclosure. There is a capacitor bank that holds a 230 VAC charge even when there is no power to the unit.
- The pump is not submersible.
- The pump is capable of high flow rates; use caution when installing and programming to limit pumps performance potential with old or questionable equipment.
- Code requirements for the electrical connection differ from state to state. Install equipment in accordance with the National Electrical Code and all applicable local codes and ordinances.
- Before servicing the pump; switch OFF power to the pump by disconnecting the main circuit to the pump.
- This appliance is not intended for use by persons (including children) of reduced physical, sensory or mental capabilities, or lack of experience and knowledge, unless they have been given supervision or instruction concerning the use of the appliance by a person responsible for their safety.

**⚠ DANGER** FAILURE TO FOLLOW ALL INSTRUCTIONS AND WARNINGS CAN RESULT IN SERIOUS BODILY INJURY OR DEATH. **THIS PUMP SHOULD BE INSTALLED AND SERVICED ONLY BY A QUALIFIED POOL SERVICE PROFESSIONAL. INSTALLERS, POOL OPERATORS AND OWNERS MUST READ THESE WARNINGS AND ALL INSTRUCTIONS IN THE OWNER'S MANUAL BEFORE USING THIS PUMP. THESE WARNINGS AND THE OWNER'S MANUAL MUST BE LEFT WITH THE POOL OWNER.**

**⚠ DANGER** SUCTION ENTRAPMENT HAZARD: STAY OFF THE MAIN DRAIN AND AWAY FROM ALL SUCTION OUTLETS!



THIS PUMP PRODUCES HIGH LEVELS OF SUCTION AND CREATES A STRONG VACUUM AT THE MAIN DRAIN AT THE BOTTOM OF THE BODY OF WATER. THIS SUCTION IS SO STRONG THAT IT CAN TRAP ADULTS OR CHILDREN UNDER WATER IF THEY COME IN CLOSE PROXIMITY TO A DRAIN OR A LOOSE OR BROKEN DRAIN COVER OR GRATE.

THE USE OF UNAPPROVED COVERS OR ALLOWING USE OF THE POOL OR SPA WHEN COVERS ARE MISSING, CRACKED OR BROKEN CAN RESULT IN BODY OR LIMB ENTRAPMENT, HAIR ENTANGLEMENT, BODY ENTRAPMENT, EVisCERATION AND/OR DEATH.

The suction at a drain or outlet can cause:

**Limb Entrapment:** When a limb is sucked or inserted into an opening resulting in a mechanical bind or swelling. This hazard is present when a drain cover is missing, broken, loose, cracked or not properly secured.

**Hair Entanglement:** When the hair tangles or knots in the drain cover, trapping the swimmer underwater. This hazard is present when the flow rating of the cover is too small for the pump or pumps.

**Body Entrapment:** When a portion of the body is held against the drain cover trapping the swimmer underwater. This hazard is present when the drain cover is missing, broken or the cover flow rating is not high enough for the pump or pumps.

**Evisceration/Disembowelment:** When a person sits on an open pool (particularly a child wading pool) or spa outlet and suction is applied directly to the intestines, causing severe intestinal damage. This hazard is present when the drain cover is missing, loose, cracked, or not properly secured.

# IMPORTANT PUMP WARNING AND SAFETY INSTRUCTIONS

**Mechanical Entrapment:** When jewelry, swimsuit, hair decorations, finger, toe or knuckle is caught in an opening of an outlet or drain cover. This hazard is present when the drain cover is missing, broken, loose, cracked, or not properly secured.

**NOTE: ALL SUCTION PLUMBING MUST BE INSTALLED IN ACCORDANCE WITH THE LATEST NATIONAL AND LOCAL CODES, STANDARDS AND GUIDELINES.**

**WARNING** TO MINIMIZE THE RISK OF INJURY DUE TO SUCTION ENTRAPMENT HAZARD:

- A properly installed and secured ANSI/ASME A112.19.8 approved anti-entrapment suction cover must be used for each drain.
- Each suction cover must be installed at least three (3') feet apart, as measured from the nearest point to nearest point.
- Regularly inspect all covers for cracks, damage and advanced weathering.
- If a cover becomes loose, cracked, damaged, broken or is missing, replace with an appropriate certified cover.
- Replace drain covers as necessary. Drain covers deteriorate over time due to exposure to sunlight and weather.
- Avoid getting hair, limbs or body in close proximity to any suction cover, pool drain or outlet.
- Disable suction outlets or reconfigure into return inlets.

**WARNING** A clearly labeled emergency shut-off switch for the pump must be in an easily accessible, obvious place.

Make sure users know where it is and how to use it in case of emergency.

**The Virginia Graeme Baker (VGB) Pool and Spa Safety Act** creates new requirements for owners and operators of commercial swimming pools and spas.

Commercial pools or spas constructed on or after December 19, 2008, shall utilize:

(A) A multiple main drain system without isolation capability with suction outlet covers that meet ASME/ANSI A112.19.8a Suction Fittings for Use in Swimming Pools, Wading Pools, Spas, and Hot Tubs and either:

- (i) A safety vacuum release system (SVRS) meeting ASME/ANSI A112.19.17 Manufactured Safety Vacuum Release systems (SVRS) for Residential and Commercial Swimming Pool, Spa, Hot Tub, and Wading Pool Suction Systems and/or ASTM F2387 Standard Specification for Manufactured Safety Vacuum Release Systems (SVRS) for Swimming pools, Spas and Hot Tubs or
- (ii) A properly designed and tested suction-limiting vent system or
- (iii) An automatic pump shut-off system.

Commercial pools and spas constructed prior to December 19, 2008, with a single submerged suction outlet shall use a suction outlet cover that meets ASME/ANSI A112.19.8a and either:

- (A) A SVRS meeting ASME/ANSI A112.19.17 and/or ASTM F2387, or
- (B) A properly designed and tested suction-limiting vent system, or
- (C) An automatic pump shut-off system, or
- (D) Disabled submerged outlets, or
- (E) Suction outlets shall be reconfigured into return inlets.

**For Installation of Electrical Controls at Equipment Pad (ON/OFF Switches, Timers and Automation Load Center)**

**CAUTION** Install all electrical controls at equipment pad, such as on/off switches, timers, and control systems, etc. to allow the operation (startup, shut-down, or servicing) of any pump or filter so the user does not place any portion of his/her body over or near the pump strainer lid, filter lid or valve closures. This installation should allow the user enough space to stand clear of the filter and pump during system start-up, shut down or servicing of the system filter.



**DANGER**

**HAZARDOUS PRESSURE: STAND CLEAR OF PUMP AND FILTER DURING START UP**



Circulation systems operate under high pressure. When any part of the circulating system (i.e. locking ring, pump, filter, valves, etc.) is serviced, air can enter the system and become pressurized.

Pressurized air can cause the pump housing cover filter lid and valves to violently separate which can result in severe personal injury or death. Filter tank lid and strainer cover must be properly secured to prevent violent separation. Stand clear of all circulation system equipment when turning on or starting up pump.

Before servicing equipment, make note of the filter pressure. Be sure that all controls are set to ensure the system cannot inadvertently start during service. Turn off all power to the pump. **IMPORTANT: Place filter manual air relief valve in the open position and wait for all pressure in the system to be relieved.**

Before starting the system, fully open the manual air relief valve and place all system valves in the "open" position to allow water to flow freely from the tank and back to the tank. Stand clear of all equipment and start the pump.

**IMPORTANT: Do not close filter manual air relief valve until all pressure has been discharged from the valve and a steady stream of water appears.** Observe filter pressure gauge and be sure it is not higher than the pre-service condition.

## General Installation Information

- All work must be performed by a qualified service professional, and must conform to all national, state, and local codes.
- Install to provide drainage of compartment for electrical components.
- These instructions contain information for a variety of pump models and therefore some instructions may not apply to a specific model. All models are intended for use in swimming pool applications. The pump will function correctly only if it is properly sized to the specific application and properly installed.

**WARNING** Pumps improperly sized or installed or used in applications other than for which the pump was intended can result in severe personal injury or death. These risks may include but not be limited to electric shock, fire, flooding, suction entrapment or severe injury or property damage caused by a structural failure of the pump or other system component.

**WARNING** The pump can produce high levels of suction within the suction side of the plumbing system. These high levels of suction can pose a risk if a person comes within the close proximity of the suction openings. A person can be seriously injured by this high level of vacuum or may become trapped and drown. It is absolutely critical that the suction plumbing be installed in accordance with the latest national and local codes for swimming pools.

Warnings and safety instructions for Pentair Water Pool and Spa® pumps and other related products are available at: <http://www.pentairpool.com/pool-owner/safety-warnings/> or call (800) 831-7133 for additional free copies of these instructions.

Please refer to <http://www.pentairpool.com/pool-owner/safetywarnings/> for warning and safety instructions related to the IntelliPro® Variable Speed Pump.

**SAVE THESE INSTRUCTIONS**



# Section 1

## Pump Overview

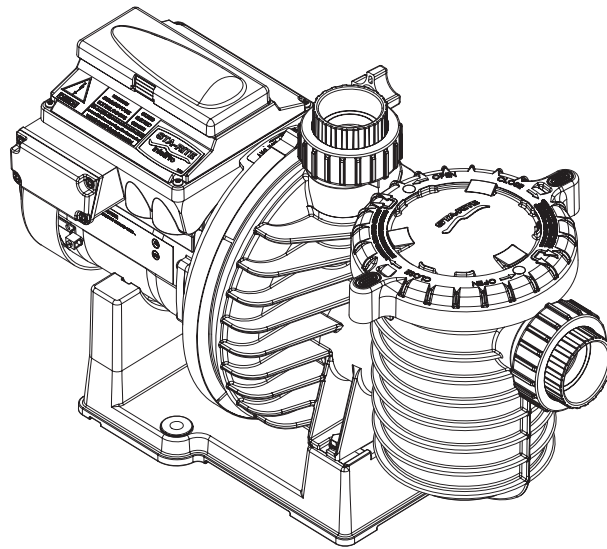
### Introduction

The IntelliPro® Variable Speed pump is well suited for all of your pool, spa, cleaner, waterfall and other water applications. Using the control panel, IntelliPro® can use one of the four selectable preset speeds or the pump speed can be adjusted to run at a specific speed. IntelliPro® outperforms all conventional pumps in its class. Advanced energy conservation features ensure that your filtration system is operating at peak efficiency.

The pump can operate from 450 RPM to 3450 RPM with preset speeds of 750, 1500, 2350 and 3110 RPM. The pump can be adjusted from the control panel to run at any speed between 450 RPM to 3450 RPM for different applications. The pump control panel alarm LED and error messages warn the user against under and over voltage, high temperature, over current and freeze protection with user defined minimum and maximum speed presets.

### External Control

The IntelliPro® Variable Speed pump can communicate with an IntelliTouch®, EasyTouch®, or SunTouch® control system or the IntelliComm® communication center via a two-wire RS-485 communication cable. The communication cable is included with the IntelliPro® Variable Speed pump. EasyTouch® and IntelliComm® can remotely control the IntelliPro® four preset speeds. The IntelliTouch® system can be configured to control a total of eight speeds. The pump's address and other pump functions are accessed from the pump's control panel.



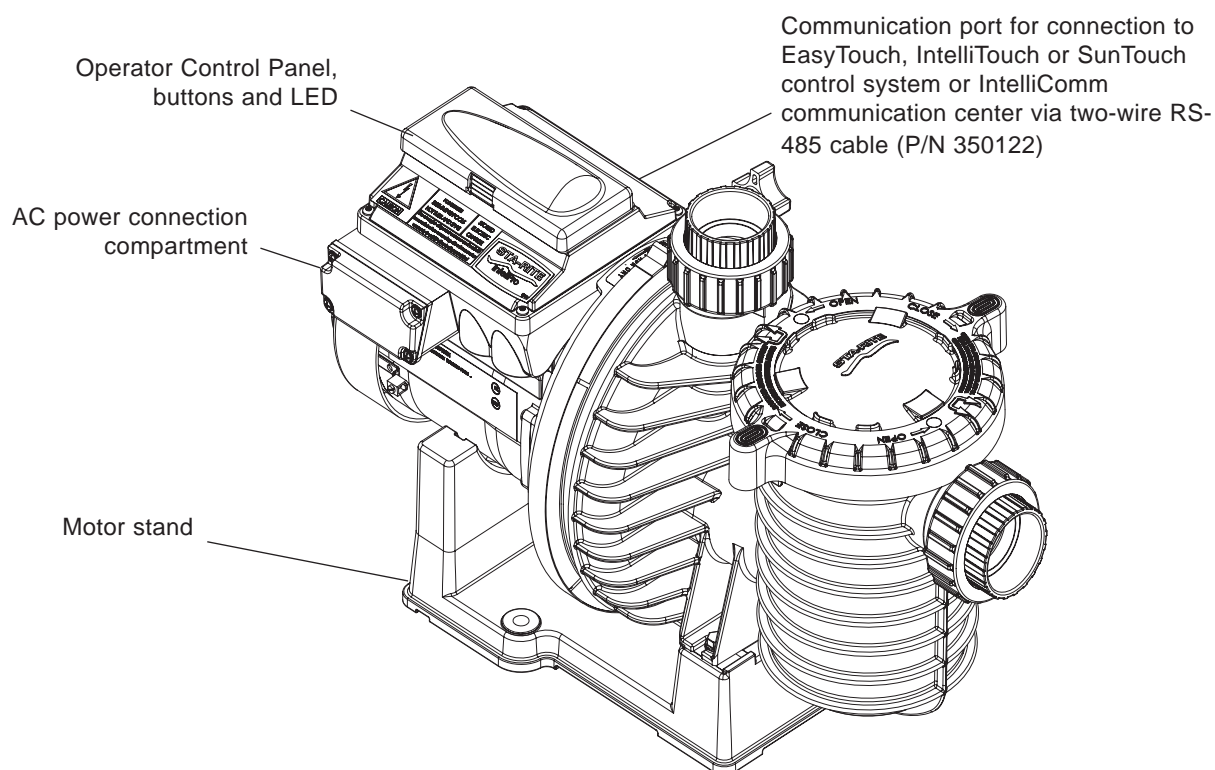
IntelliPro® Variable Speed pump

## Features

- Adjusts to various pool sizes
- Prevents thermal overload
- Detects and prevents damage from under and over voltage conditions
- Protects pump against freezing
- Communicates with a Pentair EasyTouch, IntelliTouch or SunTouch control system or IntelliComm communication center via a two-wire RS-485 cable connection
- Easy to use operator control panel
- Operator control panel buttons for speed control
- Built-in strainer pot and volute
- Ultra energy-efficient TEFC Square Flange Motor
- Compatibility with most cleaning systems, filters, and jet action spas
- Motor assembly features permanent magnet synchronous motor
- Heavy-duty, durable construction designed for long life
- 12 Programmable Speeds
  - Eight Set speeds
  - Schedule
  - Duration
  - Manual
  - Four IntelliComm speed modes
- Priming Feature
  - Load Sensing
  - Enable or Disable
- Lock out protection
  - Four Digit password
  - Enable or Disable
- LCD Display
  - Power and Speed
  - Text Alerts
- Antifreeze Protection
  - Adjustable speed
  - Adjustable Temperatures
  - Enable and Disable in stand alone
- Additional Features
  - Clock and Timer
  - Maximum and Minimum Speed Limits
  - Quick Clean Mode
  - Address up to 16 pumps
  - Service Features
  - Timeout Mode

## IntelliPro® Drive Assembly and Control Panel

The IntelliPro® drive assembly consists of an operator control panel and the system electronics that drive the motor. The drive microprocessor controls the motor by changing the frequency of the current it receives together with changing the voltage to control the rotational speed.



IntelliPro® Drive Assembly

### IntelliPro® Variable Speed Motor Features

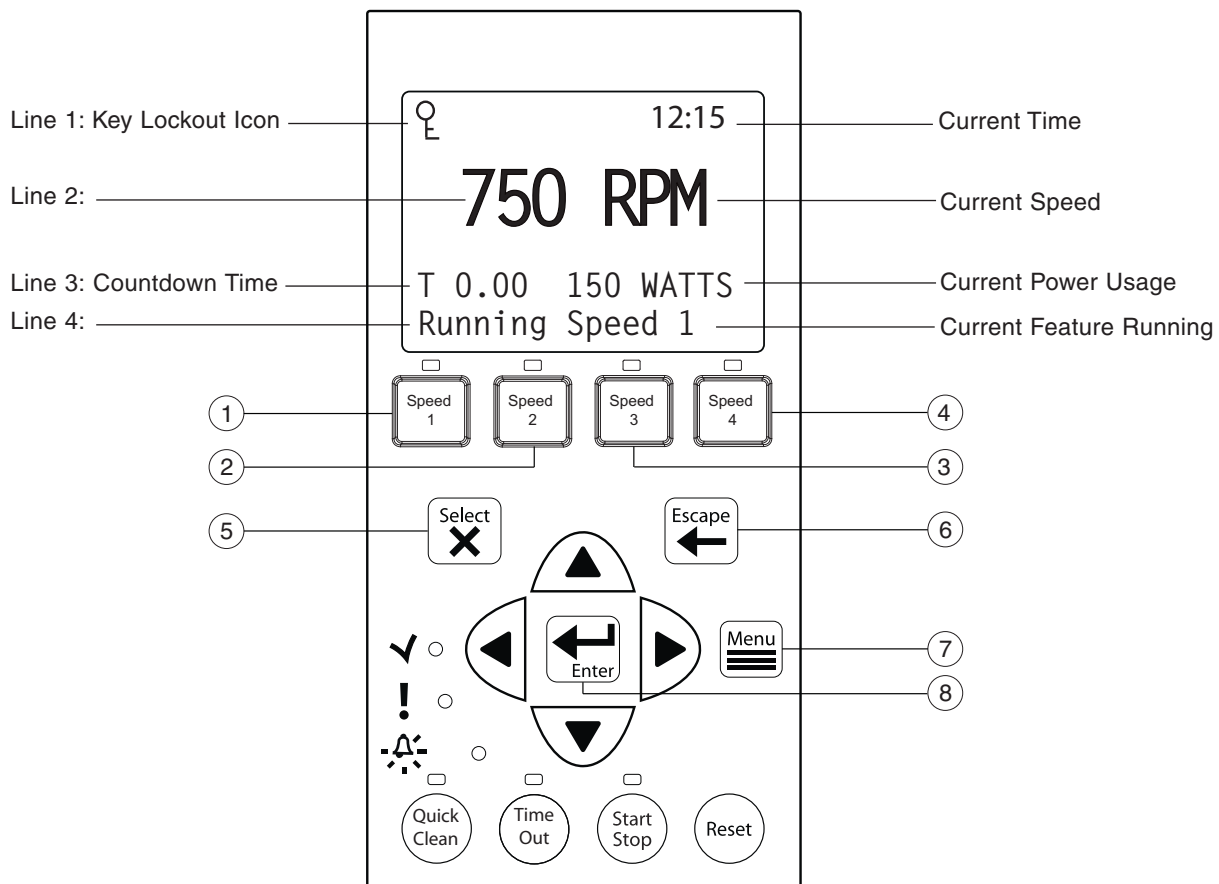
- Permanent Magnet Synchronous Motor (PMSM)
- High efficiency (3450© RPM 92% and 1000 RPM 90%)
- Superior speed control
- Operates at lower temperatures due to high efficiency
- Same technology as deployed in hybrid electric vehicles
- Designed to withstand outdoor environment
- Totally enclosed fan cooled
- Three-phase motor
- 56 Square Flange
- Six-Pole
- Low noise

## Section 2

# Operator Control Panel

This section describes the IntelliPro® Variable Speed pump operator controls and LEDs.

### IntelliPro® Operator Control Panel

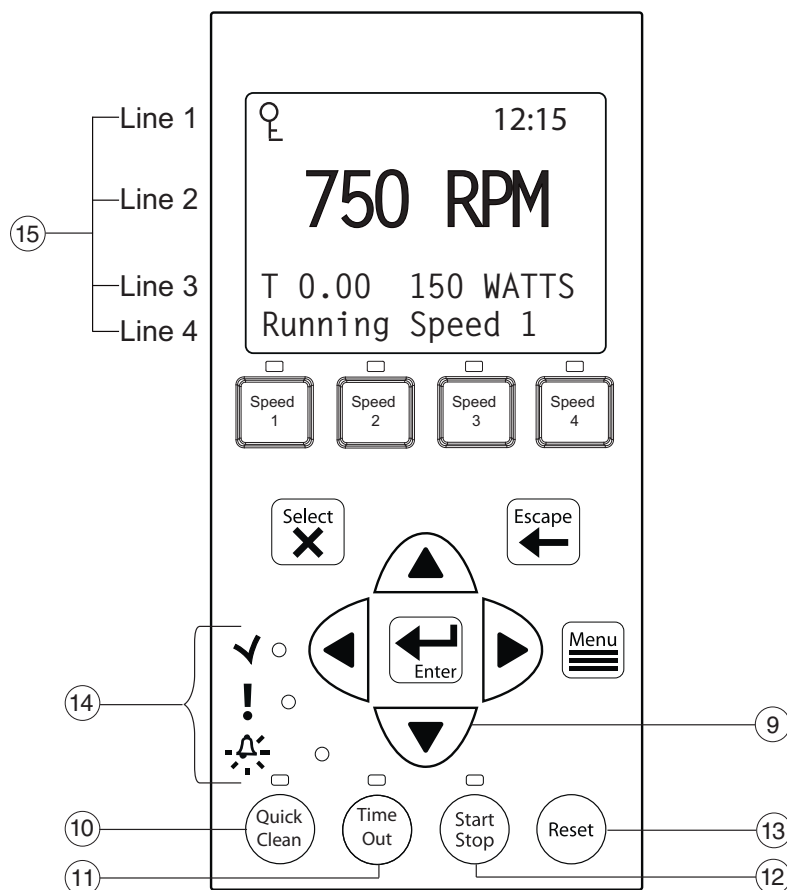


### Controls and LEDs

- ① **Speed 1 button/LED:** Press button to select Speed 1 (750 RPM). LED on indicates Speed 1 is active.
- ② **Speed 2 button/LED:** Press button to select Speed 2 (1500 RPM). LED on indicates Speed 2 is active.
- ③ **Speed 3 button/LED:** Press button to select Speed 3 (2350 RPM). LED on indicates Speed 3 is active.
- ④ **Speed 4 button/LED:** Press button to select Speed 4 (3110 RPM). LED on indicates Speed 4 is active.
- ⑤ **Select button:** Displays available menu items or enters edit mode for changing a value on line two of the display.
- ⑥ **Escape button:** Moves to next level up in the menu structure, and/or stops editing the current setting.
- ⑦ **Menu button:** Accesses the menu items if the pump is stopped.
- ⑧ **Enter button:** Saves current menu item setting. Press this button to acknowledge alarms and warning alerts.



## Controls and LEDs (Continued)



### ⑨ Arrow buttons:

- **Up arrow:** Move one level up in the menu tree or increase a digit when editing a setting.
- **Down arrow:** Move one level down in the menu tree or decrease a digit when editing a setting.
- **Left arrow:** Move cursor left one digit when editing a setting.
- **Right arrow:** Move cursor right one digit when editing a setting.

### ⑩ Quick Clean: Duration and speed (RPM) can be preset to save energy. The LED is on when active.

### ⑪ Time Out: When active (LED on), at the end of a “Time Out” preset time, the pump will run a schedule.

### ⑫ Start/Stop button: Start or Stop the pump. When the LED is on, the pump is currently running or in a mode to start automatically.

### ⑬ Reset button: Reset alarm or alert.

### ⑭ LEDs

✓ **On:** This green, power LED is on when IntelliPro® is powered on.

! **Warning:** LED is on if a warning condition is present.

! **Alarm:** The red LED is on if an alarm condition occurs. See “Alerts and Warnings” on page 35.

### ⑮ Control Panel LCD:

- **Line 1** - Key icon indicates password protect mode is active. If password protect is not enabled, no key icon is displayed.
- **Line 2** - Displays the current pump speed (RPM).
- **Line 3** - Count down time and Watts
- **Line 4** - Current pump status.

## Section 3

# Operating the Pump

---

This section describes how to operate the IntelliPro® pump using the control panel buttons and menu features.

### Starting the pump

#### To start the pump

1. Be sure the pump is powered on and the green power LED is on.
2. Select one of the speed buttons, then press the **Start** button (LED on) to start the pump.

### Stopping the pump

#### To stop the pump

- Press the **Stop** button to stop the pump.

**Note:** The pump can automatically restart if the communication cable is connected.

#### Servicing Equipment (Disconnect Power to Pump)

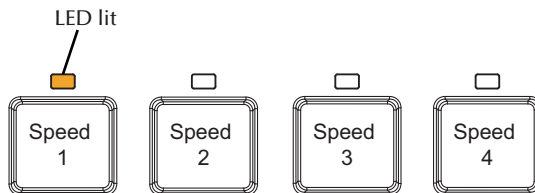
- When servicing equipment (filters, heaters, chlorinators etc.), disconnect the communication cable, and switch OFF circuit breaker to remove power from the pump.

### Operating the IntelliFlo Pump at Preset Speeds

The IntelliPro® Variable Speed pump is programmed with four default speeds of **750, 1500, 2350** and **3110** RPM. A **Speed** button is assigned to each of the preset speeds as shown.

#### To operate the pump at one of the four preset speeds

1. Be sure the pump is powered on and the green power LED is on.
2. Press the **Speed** button (**1- 4**) corresponding to the desired preset speed, and release quickly. The LED above the **Speed** button will come on as shown.
3. Press the **Start** button. The pump will quickly ramp to the selected preset speed.



#### Adjusting the pump speed

1. While the pump is running, press the **Up Arrow** to increase speed setting.
2. Press the **Down Arrow** to decrease speed Setting.
3. Press and hold down a **Speed Button** for three (3) seconds to save speed to the button or press the **Enter** button to save the speed.

## Pump Operating Modes

The IntelliPro® Variable Speed pump can be programmed three ways:

1. **Manual Operation:** Speed buttons 1-4 can be programmed for Manual operation. This means the speed button is pressed and then the start button and the pump runs a programmed speed. Speeds 5-8 can not be programmed for Manual operation because there are no buttons associated with them.

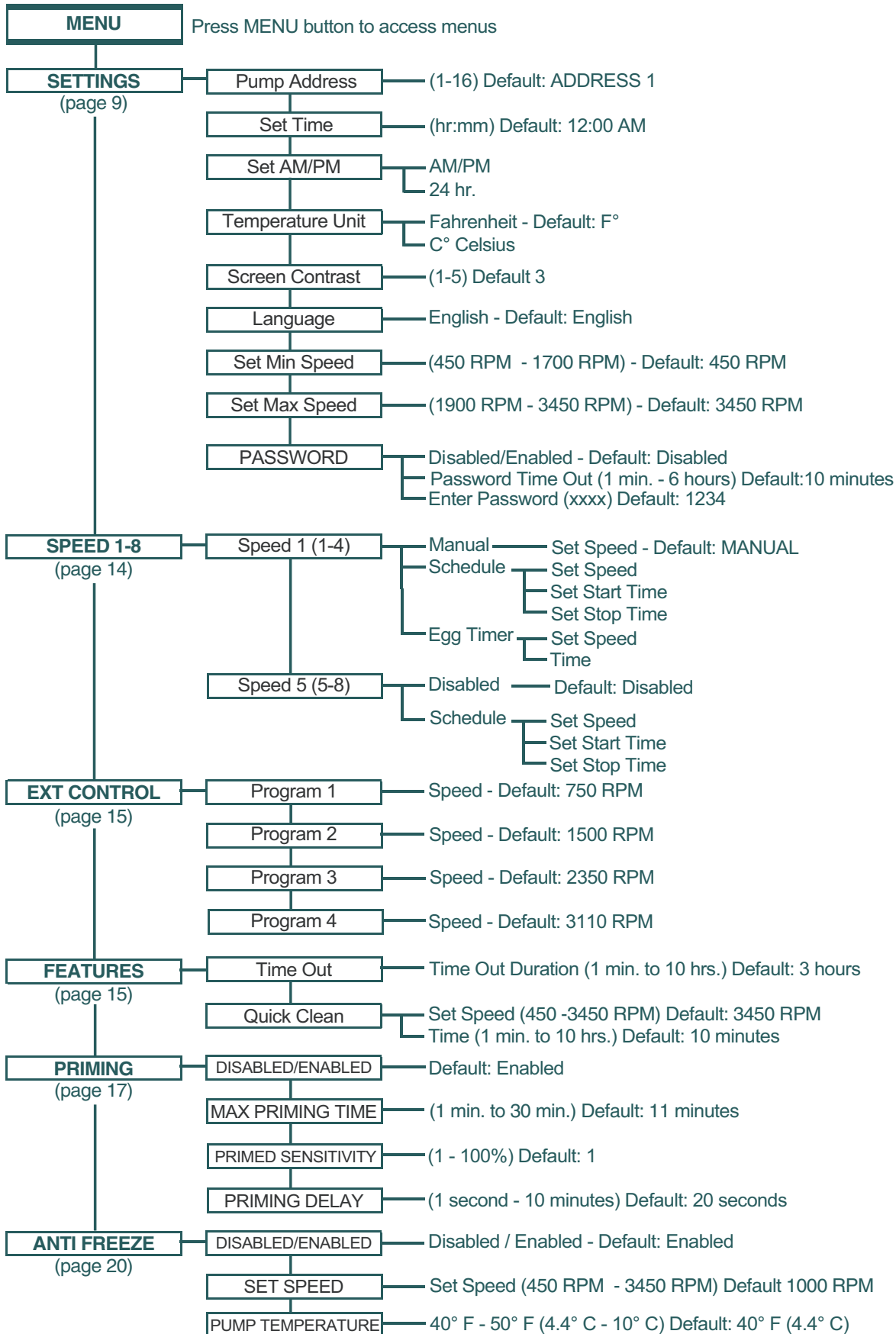
To operate the pump in Manual Mode, press one of the four speed buttons, and press the Start/Stop button to run the assigned speed for that button. When the pump is running a Manual Speed Setting (speed 1, 2, 3 or 4 button pressed manually) and a scheduled speed is set to run, the scheduled speed will take priority regardless of speed (RPM) assigned to each button. When the Scheduled Speed's time is over, it will not revert back to the manually pressed speed. If the pump is running a schedule and a speed button is pressed manually, the pump will run the manually selected speed until the next scheduled speed program.

2. **Egg Timer (Duration):** Speeds 1-4 can be programmed to run for a duration of time once pressed. This means that the Speed button is pressed and then the start button and the pump runs a programmed speed and the speed will turn off at the end of a pre programmed amount of time. Speeds 5-8 have no direct pump speed buttons and therefore cannot be programmed with an Egg-Timer.
3. **Schedule:** The speed button can be programmed to turn on and off at a certain time. The LED above the Start/Stop button must be lit for the pump to run schedules. When a speed is set to run in Schedule mode it can still be operated manually. When a speed is programmed to run 23 hours and 59 minutes per day it will not turn off. For example, for the pump to run 24 hours per day, program the pump to start at 8:00 AM and stop at 7:59 AM.

## Programming the Pump

When the pump is running a manual speed and password time out is activated (see page 12) the pump can be turned off but it cannot be turned back on. Pressing the Start/Stop button places it in the Running Schedule mode. Therefore, it will only run Speeds that are Scheduled to come on at their scheduled Start Time.

# IntelliPro® Variable Speed Pump Menus



## IntelliPro® Pump Menus

The IntelliPro® pump menu descriptions are as follows:

### Settings: Pump Address

The pump address needs to be changed when there is more than one IntelliPro® pump on an automation system. Addressing the pump allows the automation system to know which pump to send a command to. The “Pump Address” setting is used when the IntelliPro® pump is connected via the RS-485 COM port to an IntelliTouch®, EasyTouch®, SunTouch® or IntelliComm® system. The default pump address is #1. When connected to EasyTouch®, SunTouch® or IntelliComm® the pump only communicates with address #1. The pump address can be set from 1-16. However, IntelliTouch® can communicate to four (1-4) IntelliPro® pumps. **Note: IntelliPro® pumps cannot be connected in series with other pumps.**

To access the Settings menu:

1. Be sure the green power LED is on and the pump is stopped.
2. Press the **Menu** button. “Settings” is displayed.
3. Press the **Select** button. “Pump Address” is displayed. The Factory default setting is address “1.”
4. To change the pump address, press the **Select** button. The first digit “1” selected.
5. Press **Up** or **Down** arrow button to change the address number from 1-16.
6. Press the **Enter** button to save the setting. To cancel any changes, press the **Escape** button to exit edit mode without saving.
7. Press the **Escape** button to exit.

### Settings: Set Time

Use “Set Time” to set the IntelliPro® system time. The IntelliPro® system clock controls all scheduled start and stop times, functions, and programmed cycles. The system clock can store the correct time for up to 96 hours after power is shut off. The IntelliPro® will retain the time memory for 96 hours before a reset is needed.

To access the Set Time menu:

1. Check that the green power LED is on.
2. Press the **Menu** button. “Settings” is displayed.
3. Press the **Select** button. “Pump Address” is displayed.
4. Use the **Up** or **Down** arrow button to scroll to “Set Time”
5. Press the **Select** button. The cursor will appear in the Minutes column.
6. Press **Up** or **Down** arrow button to set the time.
7. Press the **Enter** button to save the setting. To cancel any changes, press the **Escape** button to exit edit mode without saving.
8. Press the **Escape** button to exit.



## Settings: Set AM/PM or 24 Hour Clock

This setting is for changing the pump's time clock from regular time (AM/PM) to a 24 hour clock. For example, Midnight (12:00 AM) is 0000 hr., 8:00 AM is 0800 hr., and 11:00 PM is 2300 hr.

To access the AM/PM or 24 hr. menu:

1. Check that the green power LED is on.
2. Press the **Menu** button. "Settings" is displayed.
3. Press the **Select** button. "Pump Address" is displayed.
4. Use the **Up** or **Down** arrow button to scroll to "AM/PM."
5. Press the **Select** button to change the setting.
6. Press **Up** or **Down** arrow button to choose between 24 hr and AM/PM.
7. Press the **Enter** button to save the setting. To cancel any changes, press the **Escape** button to exit edit mode without saving.
8. Press the **Escape** button to exit.

## Settings: Set Temperature Unit

Use this setting to set the temperature unit to Celsius (°C), or Fahrenheit (°F). The IntelliPro® Anti Freeze protection feature (see page 19) can be set to either Fahrenheit or Celsius.

To access the Temperature Units menu:

1. Check that the green power LED is on.
2. Press the **Menu** button. "Settings" is displayed.
3. Press the **Select** button. "Pump Address" is displayed.
4. Use the **Up** or **Down** arrow button to scroll to "Temperature Units" menu item. The factory default setting is "F" (Fahrenheit).
5. Press the **Select** button. "F" is displayed.
6. Press **Up** or **Down** arrow button to choose between Celsius (°C), or Fahrenheit (°F).
7. Press the **Enter** button to save the setting. To cancel any changes, press the **Escape** button to exit edit mode without saving.
8. Press the **Escape** button to exit.

## Settings: Screen Contrast Level

This setting changes the contrast of the LCD screen. The default setting is 3. Screen contrast levels can be adjusted from 1 to 5 units for low or high lighting conditions.

To access the Temperature Units menu:

1. Check that the green power LED is on.
2. Press the **Menu** button. "Settings" is displayed.
3. Press the **Select** button. "Pump Address" is displayed.
4. Use the **Up** or **Down** arrow to scroll to "Contrast level."
5. Press the **Select** button. Screen will show current contrast setting number. The default is "3".
6. Press the **Select** button to change the setting. Number will highlight.
7. Press the **Enter** button to save the setting. To cancel any changes, press the **Escape** button to exit edit mode without saving.
8. Press the **Escape** button to exit.

## Settings: Language

To access the language menu:

1. Check that the green power LED is on.
2. Press the **Menu** button. “Settings” is displayed.
3. Press the **Select** button. “Pump Address” is displayed.
4. Use the **Up** or **Down** arrow button to scroll to “Language”.
5. Press the **Select** button to access the language menu.
6. Press **Select** to highlight current Language in use.
7. Press the **Enter** button to select the desired language for the control panel. To cancel any changes, press the **Escape** button to exit edit mode without saving.
8. Press the **Escape** button to exit.

## Settings: Set Minimum Speed (RPM)

The minimum pump speed can be set from 450 RPM to 1700 RPM. The default setting is 450 RPM.

To access the Set Minimum Speed menu:

1. Check that the green power LED is on.
2. Press the **Menu** button. “Settings” is displayed.
3. Press the **Select** button. “Pump Address” is displayed.
4. Use the **Up** or **Down** arrow button to scroll to “Set Min Speed”.
5. Press the **Select** button to change the setting. The cursor will appear in the first number column (ones)
6. Press **Up** or **Down** arrow button to change the pump’s minimum speed setting from 450 to 1700 RPM.
7. Press the **Enter** button to save the setting. To cancel any changes, press the **Escape** button to exit edit mode without saving.
8. Press the **Escape** button to exit.

## Settings: Set Maximum Speed (RPM)

The maximum speed can be set from 1900 RPM to 3450 RPM. The default setting is 3450. This setting is used to set the maximum running speed of the pump. When the pump is set to Priming “Enabled” the pump will ramp up to and run at the Maximum Speed setting to attain the prime. A Service Professional must set the Maximum Speed of the pump to not exceed the maximum flow rate of the system on which it will operate. **CAUTION: The Maximum Flow rate setting should be set so the system never operates at or above a 0.635 meters vacuum.**

To access the Set Maximum Speed menu:

1. Check that the green power LED is on.
2. Press the **Menu** button. “Settings” is displayed.
3. Press the **Select** button. “Pump Address” is displayed.
4. Use the **Up** or **Down** arrow button to scroll to “Set Max Speed”.
5. Press the **Select** button to change the setting. The cursor will appear in the first number column (ones)
6. Press **Up** or **Down** arrow button to change the pump’s maximum speed setting from 1900 to 3450 RPM.
7. Press the **Enter** button to save the setting. Press the **Escape** button to exit. To cancel any changes, press the **Escape** button to exit edit mode without saving.

## Settings: Password

When the Password feature is enabled, the pump will enter into password protection mode for a pre programmed amount of time after the last button is pressed. The entered password is any combination of four (4) digits.

To access the Password menu:

1. Check that the green power LED is on.
2. Press the **Menu** button. “Settings” is displayed.
3. Press the **Select** button. “Pump Address” is displayed.
4. Use the **Up** or **Down** arrow button to scroll to “Password”.
5. Press the **Select** button. The default setting is “Disabled”.
6. Press the **Select** button to change the setting.
7. Press **Up** or **Down** arrow button to change the setting to “Enabled”.
8. Press the **Enter** button to save the setting.
9. Press **Down** arrow button. “Password Timeout” is displayed.

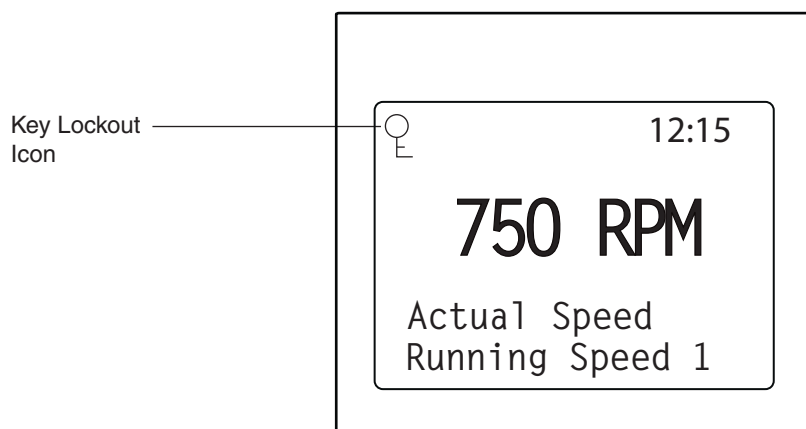
Factory default time is 10 minutes; this means the pump will go into Password Protection mode 10 minutes after the last control panel key press.

10. Press **Select** to change time setting from 1 minute to 6 hours.
11. Press the **Enter** button to save the setting.
12. Press **Down** arrow button. “Enter Password” is displayed.
13. Press **Select** to change the setting.
14. Press **Left** or **Right** arrow button to move cursor and press up and down arrow to change password number to desired setting.
15. Press the **Enter** button to save the setting. To cancel any changes, press the **Escape** button to exit edit mode without saving.
16. Press the **Escape** button to exit.

## Password Protection

**Password:** The default for this setting is disabled, which means the pump does not have password protection. When this feature is enabled, for a preset amount of time after the last button is pressed, the pump's display will prompt for the password before allowing access to the pump's control panel and buttons. The password must be a four (4) numeric digit password. Write down the password and keep in a secure place.

- When the pump is password protected the pump can always be turned off by pressing the **Start/Stop** button.
- When running the pump in manual mode it can not be turned back on with the press of the **Start/Stop** button.
- Pressing the **Start/Stop** button when the pump is off will return it back to the **Running Cycles Mode** and will run at the next scheduled run time. If the present time is within the scheduled run time the pump will run the scheduled speed.
- All functions including programming are disabled in Password Protection Mode.
- If any button other than the **Start/Stop** button is pressed, the screen reads Enter Password.
- When Password Protection is enabled there is a key icon displayed in the upper left side of the LCD.



## Entering Password

- When Password Protection is enabled the press of any button other than the speed button will cause the Screen to ask for a Password.
- To enter password use the left and right arrows to move the cursor and the **Up** and **Down** arrow button to scroll through the digit, then press the Enter button to confirm.

## Speed 1-8 (Schedule a Time to Run the Pump)

By setting a start time and a stop time, Speeds 1-8 can be programmed to run a certain speed at a certain time of day. To run a scheduled pump speed, press the Start button (LED on). The LCD screen will display “Running Schedules” when it is ready to run a scheduled speed. If the start button is pressed during a scheduled speed time, the screen will read Running Speed X and will run speed X. (If priming is enabled it will prime first at the maximum RPM setting of the pump before running speed X).

**Note: The IntelliPro® pump will not run the scheduled speeds until the Start/Stop button is pressed (LED on) to place the pump in the “Running Schedule” mode.**

To set a schedule to run the pump:

1. Check that the green power LED is on.
2. Press the **Menu** button. “Settings” is displayed.
3. Use the **Up** or **Down** arrow button to scroll to “Speed 1-8”.
4. Press the **Select** button. “Speed 1” is displayed.
5. Use the **Up** or **Down** arrow button to choose the speed you wish to program.
6. Press the **Select** button. Select **Manual**, **Schedule**, or **Egg Timer** for speeds 1-4. “Disabled” or “Schedule” for speed 5-8 is displayed.  
**Speeds 1-4** default setting is MANUAL. To create a schedule for speed 1-4 Press Select to highlight manual.  
**Speeds 5-8** default setting is DISABLED. To create a schedule for speed 5-8, Press Select to highlight Disabled.
7. Use the **Up** or **Down** arrow button to scroll to “Schedule”.
8. Press the **Enter** button.
9. Press the **Down** arrow button. Set speed will be displayed.
10. Press the **Select** button to change the speed. The first digit will highlight (ones digit).
11. Use the **Up** or **Down** arrow button to change the speed.
12. Press the **Enter** button to save the setting.
13. Press the **Down** arrow button. “Set Start Time” is displayed.
14. Press the **Select** button to change the start time. The cursor will highlight the minute column.
15. Use the **Left** arrow button to move the cursor to the hour column if desired.
16. Press the **Enter** button to save the setting.
17. Press **Down** arrow. “Set Stop Time” is displayed
18. Press the **Select** button to change the stop time.
19. Press the **Enter** button to save the setting.
20. Press the **Start/Stop** button. The LED above the button will light up and the pump will start if within a scheduled time or “Running Schedule” is displayed.

When the pump is running a scheduled speed or a duration speed (egg timer) the countdown time (T 00:01) showing the hours and minutes is displayed on the screen.

*Note: Speeds 5-8 can be programmed to operate in Schedule mode only. The IntelliPro® Variable Speed pump can run eight (8) different speeds at eight (8) programmed start and stop times per day.*

*Note: When two speeds are scheduled during the same run time, the pump will run the higher RPM Speed regardless of Speed # in use.*



## Programming for Constant Run

When programming a schedule for a speed, the speed can not be programmed with the same start and stop times. However, it will run without stopping if it is programmed with the start time set one minute after the stop time. Example: A single speed will run non stop if programmed with a Start Time of 8:00 AM and a Stop time of 7:59 AM.

## External Control

This function is for programming speeds that will run when the IntelliComm power center controller sends it a command. For example, Terminal 3 and 4 in IntelliComm will correspond to External Control Program #1. (5 and 6 to Ext. Ctrl. #2). Use the External Control feature to program the IntelliComm power center.

To access the Ext. Ctrl. menu:

1. Check that the green power LED is on.
2. Press the **Menu** button. “Settings” is displayed.
3. Use the **Up** or **Down** arrow button to scroll to “Ext. Ctrl.”.
5. Press the **Select** button. “Program 1” is displayed.
6. Press the **Select** button. “1100 RPM” is displayed.
7. Press the **Select** button. The “RPM” number will highlight.
8. Press **Up** or **Down** arrow button to change the RPM setting.
9. Press the **Enter** button to save the setting. Note: To cancel any changes, press the **Escape** button to exit without saving.
10. Press the **Escape** button.
11. Use the **Up** or **Down** arrow button to scroll to “Program 2”.
12. Repeat Step 5 through 9 to set Program 2, 3, and 4. Twelve (12) Programmable Speeds.

## Features: Quick Clean

This feature can be used to ramp the pump up to a higher RPM for vacuuming, cleaning, adding chemicals, after a storm for extra skimming capability. Press the **Quick Clean** button (LED on) and then the **Start/Stop** button (LED on) to start the pump at preset RPM and duration of time. Regular schedules will resume once the Quick Clean cycle is finished and will run in the “Running Schedule” mode.

## Quick Clean (Continued)

To access the Quick Clean menu:

1. Check that the green power LED is on.
2. Press the **Menu** button. “Settings” is displayed.
3. Use the **Down** arrow button to scroll to “Features”.
5. Press the **Select** button. “Timeout” is displayed.
6. Press the **Down arrow** button. “QuickClean” is displayed.
7. Press the **Select** button. “Set Speed” is displayed.
8. Press the **Select** button. The “RPM” first (ones) column will highlight.
9. Use the **Up** or **Down** arrow button to change the speed.
10. Press the **Enter** button to save the setting.
11. Press the **Down arrow** button. “Time Duration” is displayed.
12. Press the **Select** button. The cursor will appear in the minutes column.
13. Use the **Up** or **Down** arrow button to change the time from 1 minute to 10 hours.
14. Press the **Enter** button to save the setting. Note: To cancel any changes, press the **Escape** button to exit without saving.
15. Press the **Escape** button to exit.

## Features: Time Out

This feature keeps the pump from running for a programmable amount of time. This feature can be used to allow newly glued pipe joints time to dry before circulation of the pool water is resumed. When this feature’s time is up, the pump will be in the “Running Schedule” mode, Start/Stop LED will be lit and ready to turn on at the next scheduled run time.

To access the Time Out menu:

1. Check that the green power LED is on.
2. Press the **Menu** button. “Settings” is displayed.
3. Use the **Down** arrow button to scroll to “Features”.
5. Press the **Select** button. “Timeout” is displayed.
6. Press the **Select** button. “Timeout Duration” is displayed.
7. Press the **Select** button. The “Minutes” column will highlight.
8. Press the **Left** arrow button to scroll to the hours setting. Time out can be set from 1 minute to 10 hours.
9. Press the **Enter** button to save the setting. Note: To cancel any changes, press the **Escape** button to exit without saving.
10. Press the **Escape** button to exit.

## Priming

The default setting for Priming is ENABLED. Enabling this feature allows the pump to use its “Flow Technology” to make sure the pump is primed when it starts. This feature will not override the “Max Speed” setting. The priming feature ramps the pump to 1800 RPM and pauses for three (3) seconds. If there is sufficient water flow in the pump basket, the pump will go out of priming mode and run its commanded speed. If the flow in the pump basket is not sufficient, the pump will ramp to the “Max Speed” setting and stay there for the priming delay time, which is defaulted at 20 seconds. If there is sufficient water flow in the pump basket at this time, it will go out of priming mode and ramp to the commanded speed. If there is still insufficient flow in the pump basket, the pump will try to prime at the “Maximum Speed” for the amount of time set up in the “Maximum Priming Time” menu.

**Maximum Priming Time:** The Maximum Priming Time can be set from 1 minute to 30 minutes. The default setting is 11 minutes. This is the maximum amount of time the pump will try to prime before giving an error. However, if the pump does not see a sufficient amount of water in the pump basket, this can cause the pump to report a Priming Dry Alarm within seconds of the beginning of the priming cycle.

**Priming Dry Alarm:** An insufficient amount of water in the basket during priming will cause the pump to report a Priming Dry Alarm. The basket should be filled with water and the pump restarted when this alarm occurs.

*Note: When a Priming Dry Alarm takes place it will try to restart after 10 minutes.*

**Primed Sensitivity:** The primed sensitivity can be set from 1% to 100%. The factory default setting is 1%, meaning the pump is at its most sensitive setting in regards to determining if the pump has attained a prime or not. Increasing this number will decrease the amount of flow needed for the pump to sense that it is primed. Increasing this number too high could cause the pump to think it has attained a prime and evacuated the air from the system when it has not. Increase the Primed Sensitivity number if the pump has trouble coming out of the priming mode and the pump basket is full of water and flowing.

**Priming Delay:** The priming delay can be set from 1 second to 10 minutes. The default setting is 20 seconds. This means the pump will ramp to 1800 RPM and remain there for three (3) seconds, which it will always do in the hard Priming Mode. If there is sufficient flow in the pump basket, the pump will then go out of priming mode and ramp to its commanded speed. If there is insufficient water flow in the pump basket, the pump will ramp to the Max Speed Setting and stay there for the default time of 20 seconds. It may be necessary to increase the prime delay to allow the system to stabilize before the pump goes into running mode. If the pump errors out immediately after priming, then increasing the Priming Delay time may correct the issue.

When the pump is connected to an automation system and the “Maximum Prime Time” feature is enabled, it will remain active.

*Continue to next page for priming MENU information.*

## Priming (Continued)

To access the Priming menu:

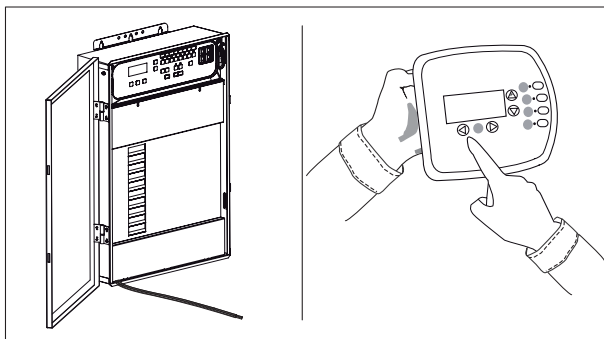
1. Check that the green power LED is on and press the **Menu** button. “Settings” is displayed.
2. Use the **Down** arrow button to scroll to “Priming”
3. Press the **Select** button. The factory default is set to priming “Enabled”.
4. To disable priming, press the **Select** button.
5. Use the **Up** arrow button. “Disabled” is displayed.
6. Press the **Enter** button.
7. Press the **Down** arrow button. Screen will read “Max Priming Time”. Factory default is set to 11 minutes.
8. Press the **Select** button to change the setting. The cursor will highlight the minutes column.
9. Use the **Up or Down** arrow button to change the time from 1 minute to 30 minutes..
10. Press the **Enter** button to save the setting.
11. Press the **Down arrow** button. The screen will read “Primed Sensitivity”. The default for this setting being “1”.
12. Press the **Select** button to change the setting. The cursor will highlight the number.
13. Use the **Up or Down** arrow button to change the time from 1% to 100%. Increasing the number makes the Priming less sensitive.
14. Press **Enter** to save.
15. Press the **Down arrow** button. Screen will read “Priming Delay”. The default for this setting is 20 seconds.
16. Press the **Select** button to change the Setting.
17. Use the **Up or Down arrow** button to change the setting from 1 second to 10 minutes.  
Caution: Increasing the Priming Delay causes the pump to stay in the priming mode longer.
18. Press the **Enter** button to save the setting. *Note: To cancel a change, press the Escape button instead of the Enter button to exit without saving.*
19. Press the **Escape** button to exit.

## Disable Priming Feature on the Pump

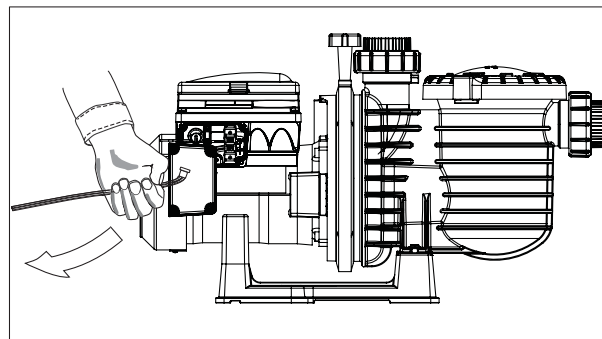
When the IntelliPro® pump is connected to an automation control system, (IntelliTouch, EasyTouch or SunTouch), the priming feature on the pump cannot be disabled by the external automation control system only. If priming is enabled on start-up, the IntelliPro® responds to its internal settings **before** responding to commands from an automation control system. If the IntelliPro® pump is connected to an automation control system and priming is not desired, disable the priming feature on **both** the pump and the automation control system.

### To disable priming with an automation control system:

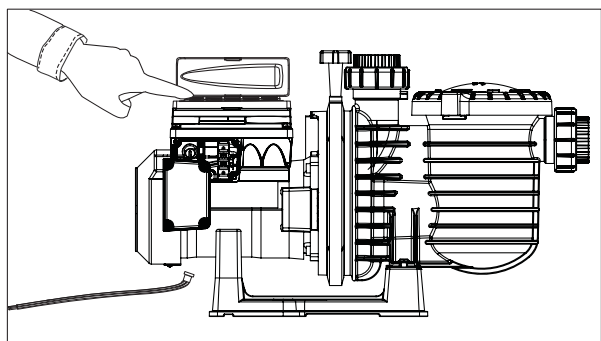
1. Disable the priming feature on the automation control system at the load center or using an IntelliTouch or EasyTouch remote. (Refer to the automation control system user's guide for additional information).
2. Temporarily disconnect the RS-485 communication cable.
3. Open the LCD screen lid to disable priming on the pump. Press the **MENU** button, use the arrow buttons to scroll and select "Priming", then select "Disabled" (the factory default is set to "Enabled"). Press **Escape** to exit the menu.
4. Once priming is disabled, reinstall the RS-485 communication cable.



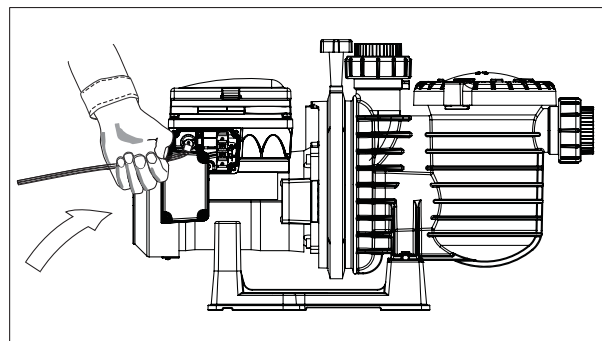
1. Disable priming on automation control system.



2. Disconnect the RS-485 communication cable.



3. Disable priming on pump.



4. Reinstall the RS-485 communication cable.



## AntiFreeze

This feature allows you to set a speed (450 RPM -3450 RPM) that will run when the pump goes into anti freeze mode. The temperature level that you wish anti freeze mode to start can also be set.

**IMPORTANT NOTE:** This feature is for protection of the pump. It should not be depended upon for freeze protection of the pool. Certain situations could cause the pump to sense a different temperature than actual air temperature. The air temperature sensor on the automation system should be used to sense actual temperature. For example, if the pump is located indoors, the temperature of the room does not indicate the outdoor temperature. The pump does not sense the water temperature.

### To access the Anti Freeze menu:

1. Check that the green power LED is on.
2. Press the **Menu** button. “Settings” is displayed.
3. Use the **Down** arrow button to scroll to “AntiFreeze”.
4. Press the **Select** button. The factory default is AntiFreeze “Enabled”.
5. To disable AntiFreeze. Press the **Select** button, “Enabled” will highlight.
6. Use the **Up** arrow button. “Disabled” is displayed.
7. Press the **Enter** button.

### To program AntiFreeze when enabled:

8. Press the **Down** arrow button. “Set Speed” is displayed. The factory default is 1000 RPM.
9. Press the **Select** button to change the setting. The cursor will highlight the first column (ones).
10. Use the **Up** or **Down** arrow button to select 450 - 3450 RPM.
11. Press the **Enter** button to save the setting.
12. Press the **Down** arrow button. “Pump Temperature” is displayed. This is the temperature the pump will activate AntiFreeze. The factory default is 40° F (4.4° C).
13. Press the **Select** button to change the setting. The cursor will highlight the first column (ones). This setting can be changed from 40° F to 50° F (4.4° C - 10° C).
14. Press the **Enter** button to save the setting. Note: To cancel any changes, press the **Escape** button to exit without saving.
15. Press the **Escape** button to exit.

## Priming the pump for the first time, or after service

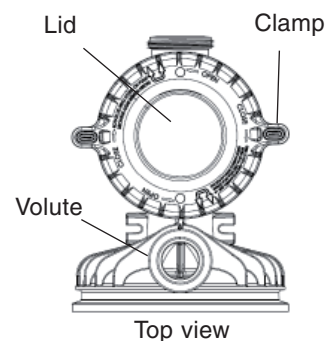
The IntelliPro® must be primed before starting the pump for the first time. To prime a pump means filling the pump and suction pipe with water. This process evacuates the air from all the suction lines and the pump. It may take several minutes to prime depending on the depth of water, pipe size and length. It is easier to prime a pump if you allow all the air to escape from the pump and pipes. The water cannot enter unless the air can escape. Pumps do not hold prime, the pool piping system has that task.

- CAUTION** - To avoid permanent damage to the IntelliPro® pump, before starting the pump, fill the IntelliPro® housing strainer with water so that the pump will prime correctly. If there is no water in the strainer the pump will not prime.
- Do not allow the pump to run dry. Running the pump dry may damage the seals, causing leakage and flooding.
  - Do not add chemicals to the system directly in front of pump suction. Adding undiluted chemicals may damage the pump and will void the warranty.
  - Open gate valves before starting system.
  - Be sure to release all air from filter and piping system.
  - The IntelliPro® pump is a variable speed pump. Typically the lower speeds are used for filtration and heating. The higher speeds can be used for spa jets, water features, and priming.

**CAUTION** - Before starting this procedure, first read the following:

### Before removing the pump lid:

1. **Press the Stop button** if the pump is running before proceeding.
2. **Disconnect the communication cable from the pump.**
3. **Disconnect main power supply**
4. **Close the gate valves** in suction and discharge pipes.
5. **Release all pressure** from pump and piping system.
6. **Never tighten or loosen** the clamp while the pump is operating.



**WARNING** - If the pump is being pressure tested, release all pressure before removing trap cover. Do not block the pump suction while the pump is running. If a body part blocks the pump suction it may cause severe or fatal injury. Small children using the pool must ALWAYS have close adult supervision.

**WARNING - FIRE and BURN HAZARD** - The pump motor may run at a high temperatures. To reduce the risk of fire, do not allow leaves, debris, or foreign matter to collect around the pump motor. To avoid burns when handling the motor, shut off the motor and allow it to cool for 20 minutes before trying to work on it. The IntelliPro provides an automatic internal cutoff switch to protect the motor from heat damage during operation.

## Priming the pump for the first time, or after service (Continued)

### Priming the Pump

**NOTICE:** If you replace the o-ring with a non-lubricated o-ring, you may need to apply a silicone based lubricant.

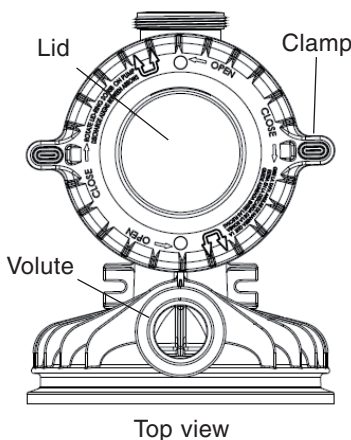
- Clean and inspect o-ring; reinstall on trap cover.
- Replace trap cover on trap; turn clockwise to tighten cover.

**NOTICE:** Tighten the pump lid by hand only (no wrenches).

Priming time will depend on vertical length of suction lift and horizontal length of suction piping. If pump does not prime, make sure that all valves are open, suction pipe end is under water, pump suction is below water level, and that there are no leaks in suction pipe.

To prime the IntelliPro® pump:

1. Turn the pump clamp and lid in a counter-clockwise direction until it stops and remove them.
2. Fill the pump strainer pot with water.
3. Check the system and ensure water has an open path for free system flow.
4. Reinstall the pump clamp and lid onto the strainer pot. The pump is now ready to prime.
5. Make sure all electrical connections are clean and tight.
6. Open the air release valve on the filter, and stand clear of the filter.
7. Switch the pump on at the circuit breaker. Ensure that the green power light is on.
8. Press the **Speed 1** button to select the pump speed of 750 RPM.
9. Press the **Start** button to start the pump. Use the **Up/Down** button to increase the speed as necessary to prime the pump.
10. When water comes out of the air release valve, close the valve. The system should now be circulating water back to the pool without air bubbles showing in either the hair and lint pot or at the pool return fittings.
11. Use the **Up/Down** button to adjust the operating speed as desired.



## External Control with IntelliComm® Communication Center

The IntelliPro® pump can be remotely controlled by the Pentair Water Pool and Spa IntelliComm Communication Center using a RS-485 communications cable (P/N 350122). The IntelliComm provides four pairs of input terminal connections. These inputs are actuated by either 15 - 240 VAC or 15 - 100 VDC. Using the device's inputs, the programmed IntelliPro® pump speeds can be controlled.

**Note: For the IntelliPro® pump to accept commands from IntelliComm, the pump must be in the “Running Schedules” mode (LED above the Start/Stop button lit).**


If more than one input is active the highest number will be communicated to the IntelliPro® pump. The IntelliComm will always communicate to pump using ADDRESS #1.

**Program number priority is as follows:** Example: If programs 1 and 2 are activated, program 2 will run, regardless of the assigned speed (RPM). The higher program number (2 being higher) will always take priority. The following table shows the wiring terminal descriptions for IntelliComm.

### External Control



IntelliComm Communication Center

Terminal Number	Terminal Name	Voltage	Maximum Current	Phase Type	Frequency
1-2	Power Supply	100 - 240 VAC	100 mA	1 Input	50/60 Hz
3-4	Program 1	15 -240 VAC or 15 - 100 VDC	1 mA	1 Input	50/60 Hz
5-6	Program 2	15 -240 VAC or 15 - 100 VDC	1 mA	1 Input	50/60 Hz
7-8	Program 3	15 -240 VAC or 15 - 100 VDC	1 mA	1 Input	50/60 Hz
9-10	Program 4	15 -240 VAC or 15 - 100 VDC	1 mA	1 Input	50/60 Hz
11 12	RS-485 + Data: Yellow - Data: Green	-5 to +5 VDC	5 mA	1 Output	N/A
	Ground				

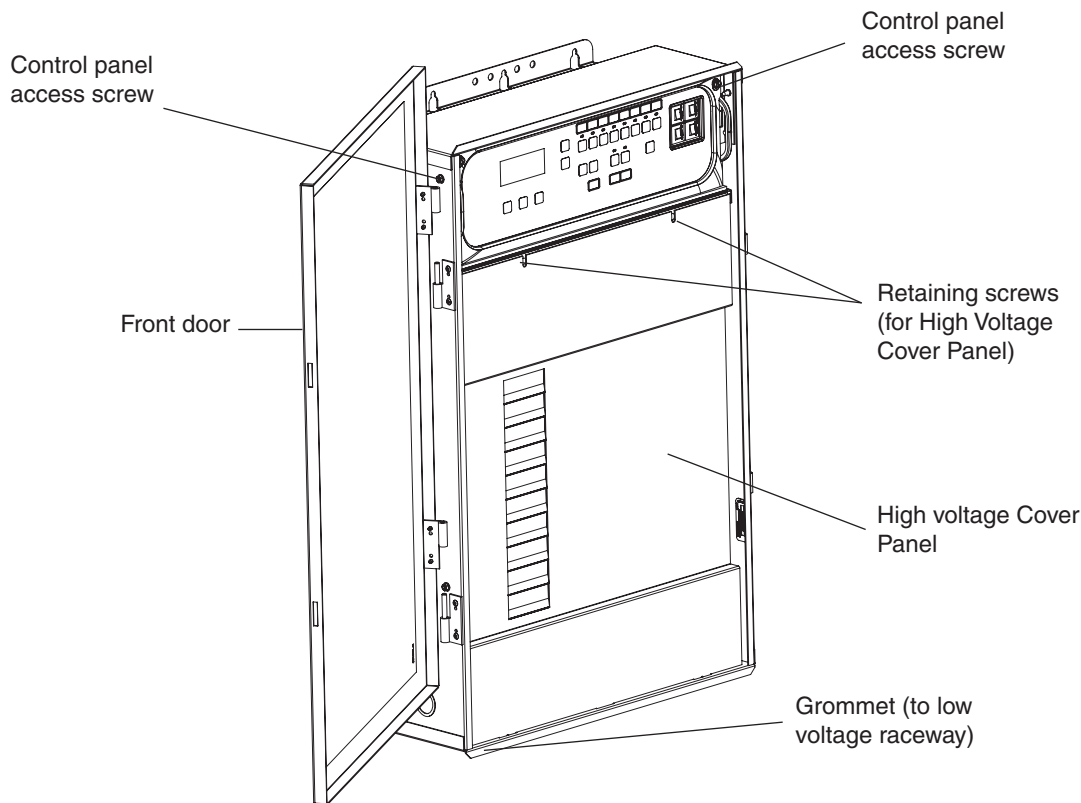
## Connecting IntelliFlo to EasyTouch® and IntelliTouch® System

The IntelliPro® pump can be controlled by an EasyTouch or IntelliTouch automation system via the RS-485 communication cable (P/N 350122). In this configuration, EasyTouch/IntelliTouch starts, stops and controls the speed of the IntelliPro® pump. When the EasyTouch/IntelliTouch does this, it rewrites the IntelliPro® pump memory, which can take several seconds. This causes a delay after a command is given on the EasyTouch/IntelliTouch control panel until the IntelliPro® pump physically responds.

The IntelliPro® pump control panel is disabled when communicating with the EasyTouch/IntelliTouch system. Note that EasyTouch/IntelliTouch will not start communicating with the IntelliPro® pump until the pump is assigned to a circuit. The IntelliPro® pump default pump address is one which is the only address that works with EasyTouch. See page 9 for details about how to check the pump address and change if necessary. For more information, refer to the EasyTouch User's Guide (P/N 520584).

To connect the IntelliPro® pump communication cable to EasyTouch or IntelliTouch load center:

1. **⚠ CAUTION - Switch the main power off to the EasyTouch load center.**
2. Unlatch the two enclosure door spring latch, and open the door.
3. Remove the two retaining screws securing the high voltage cover panel, and remove it from the enclosure.
4. Loosen the two access screws securing the control panel.
5. Lower down the hinged control panel to access the EasyTouch or IntelliTouch circuit board.
6. Route the communication cable into the plastic grommet (located on the lower left side of the load center), up through the low voltage raceway to the EasyTouch or IntelliTouch circuit board.



EasyTouch Load Center (front view)

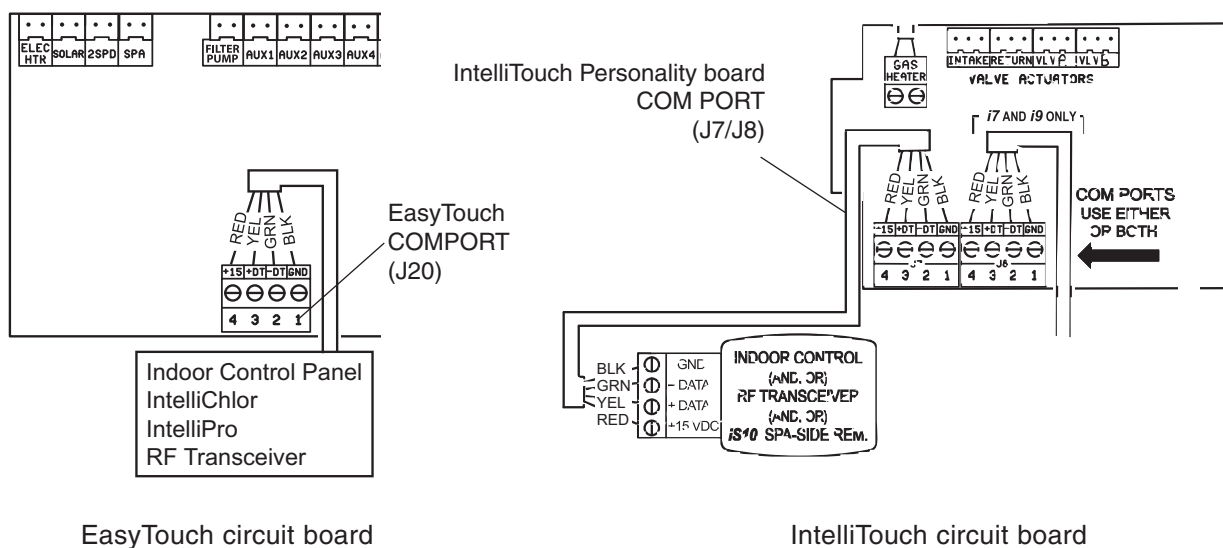


## Connecting IntelliPro® to EasyTouch® and IntelliTouch® System (Continued)

- Strip back the cable conductors 6 mm (1/4"). Insert the two wires into the COM port screw terminals on the EasyTouch/IntelliTouch circuit board. Secure the wires with the screws.
- EasyTouch COM port (J20):** Connect the GREEN (#2) and YELLOW (#3) wires to the COM port screw terminals (#2 and #3). Be sure to match the color coding of the wires; YELLOW to YELLOW and GREEN to GREEN. The Red wire is not connected. Secure the wires with the screws.

**IntelliTouch COM port (J7/8):** Connect the GREEN (#2) and YELLOW (#3) wires to the COM port (J20) screw terminals (#2 and #3). Be sure to match the color coding of the wires; YELLOW to YELLOW and GREEN to GREEN. The Red wire is not connected. Secure the wires with the screws.

*Note: Multiple wires may be inserted into a single screw terminal.*



- Close the control panel into its original position and secure it with the two screws.
- Install the high voltage cover panel and secure it with the two retaining screws.
- Close the load center front door. Fasten the spring latch.
- Switch the power on to the load center.

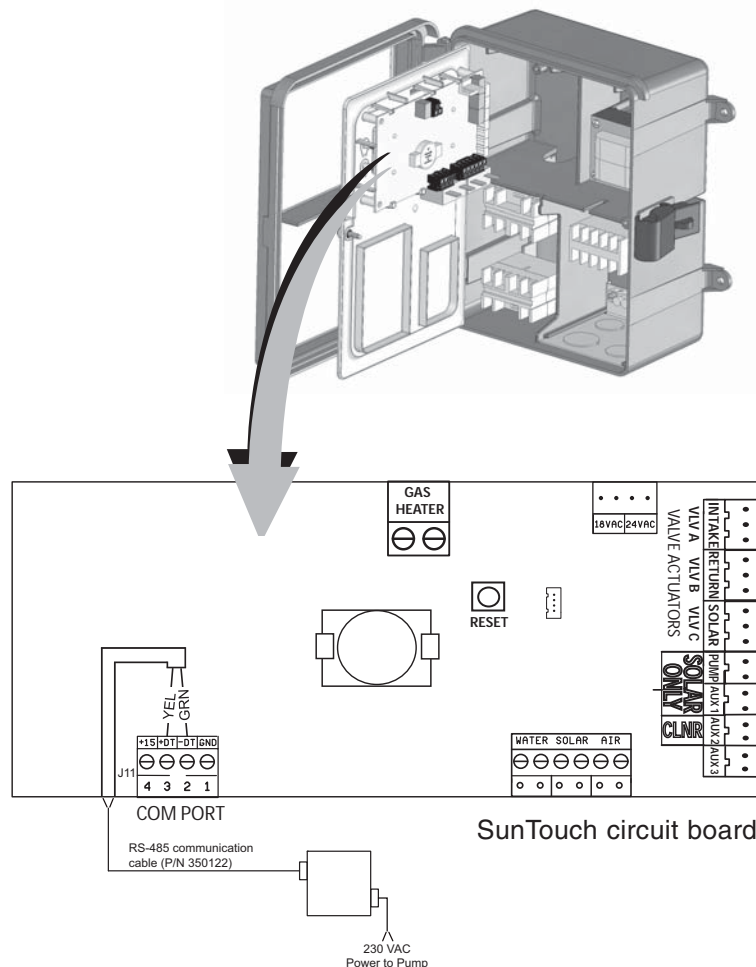
## Connecting the IntelliPro® pump to a SunTouch® System

The IntelliPro® pump can be controlled by a SunTouch system via the RS-485 communication cable.

**⚠ WARNING** - Switch OFF main system power to the SunTouch Power Center before making any connections.

To connect the IntelliPro® pump two wire RS-485 communication cable to the SunTouch circuit board:

1. Unlatch the front door of the SunTouch power center, and open the door.
2. Loosen the retaining screw on front panel. Open the hinged front panel to access the electronics compartment.
3. Route the two conductor cable up through the power center grommet opening located on the left side, and up through the low voltage raceway to the motherboard.
4. Strip back the cable conductors 6 mm (1/4"). Insert the wires into the screw terminals (provided). Secure the wires with the screws. Make sure to match the color coding of the wires;  
YELLOW to YELLOW and GREEN to GREEN.
5. Insert the connector on the **COMPORT (J11)** screw terminal on the SunTouch circuit board.
6. Close the control panel and secure it with the retaining screw.
7. Close the front door. Fasten the spring latch.



## Section 4

# User Maintenance

The following information describes how to service and maintain the IntelliPro® Variable Speed pump.

### Pump Strainer Basket

The strainer, sometimes referred to as the “Hair and Lint Pot,” is in front of the of the pump. Inside there is a basket which must be kept clean of leaves and debris at all times. View the basket through the top see through lid to inspect for leaves and debris.

Regardless of the length of time between filter cleaning, it is most important to visually inspect the hair and lint pot basket at least once a week. A dirty basket will reduce the efficiency of the filter and possibly the heater.

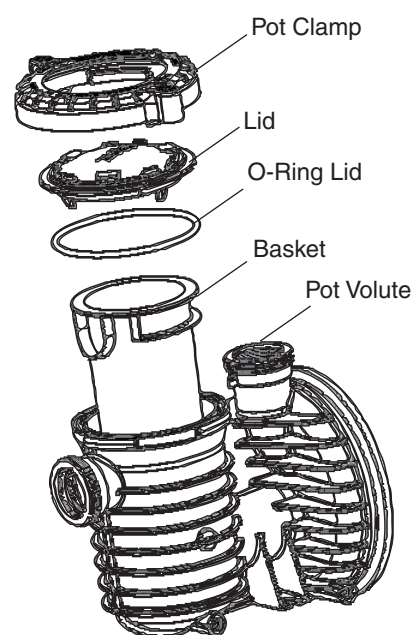
**⚠ WARNING** — **DO NOT** open the strainer pot if pump fails to prime or if pump has been operating without water in the strainer pot. Pumps operated in these circumstances may experience a build up of vapor pressure and may contain scalding hot water. Opening the pump may cause serious personal injury. In order to avoid the possibility of personal injury, make sure the suction and discharge valves are open and that the strainer pot is cool to the touch, then open with extreme caution.

**⚠ CAUTION** — To prevent damage to the pump and filter and for proper operation of the system, clean pump strainer and skimmer baskets regularly.

### Pump Strainer Basket Service

If the IntelliPro® pump is installed below the water level of the pool, close the return and suction lines before opening the hair and lint pot on the pump.


1. Press the **Stop** button to stop the pump and switch off the pump at the circuit breaker.
2. Disconnect the communication cable from the IntelliPro® pump.
3. Relieve pressure in the system.
4. Turn the clamp and lid in a counter-clockwise direction until it stops.
5. Remove the clamp and lid.
6. Remove the basket and put the debris into the trash and rinse out the basket. If the basket is cracked, replace the basket.
7. Replace the basket and fill the pump pot and volute with water up to the inlet port.
8. Clean the cover, o-ring, and sealing surface of the pump pot. Grease the o-ring with a silicone based lubricant.
9. Reinstall the lid by placing the clamp and the lid on the pot.

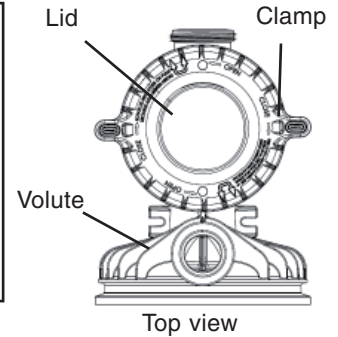


## Pump Strainer Basket Service (Continued)

10. Ensure that the lid o-ring is properly placed. Seat the clamp and lid then turn clockwise until the handles are horizontal as shown.
11. Reconnect the communication cable to the pump if required.
12. Switch the power ON at the circuit breaker. Reset the pool time clock to the correct time.

**WARNING** — FILTER OPERATES UNDER HIGH PRESSURE. WHEN ANY PART OF THE CIRCULATING SYSTEM (e.g., LOCK RING, PUMP, FILTER, VALVES, ETC.) IS SERVICED, AIR CAN ENTER THE SYSTEM AND BECOME PRESSURIZED. PRESSURIZED AIR CAN CAUSE THE LID TO BLOW OFF WHICH CAN RESULT IN SEVERE INJURY, DEATH, OR PROPERTY DAMAGE. TO AVOID THIS POTENTIAL HAZARD, FOLLOW THESE INSTRUCTIONS.





13. Open the manual air relief valve on top of the filter.
14. Stand clear of the filter. Press the Start button on the pump.
15. Bleed air from the filter until a steady stream of water comes out.
16. Close the manual air relief valve.

## Motor Service

### 1. Protect from heat:

- Shade the motor and controller from the sun.
- Any enclosure must be well ventilated to prevent overheating. Particular attention should be paid to the motor fan cover and the cooling fins between the drive and the motor.
- Provide ample cross ventilation.

### 2. Protect against dirt:

- Protect from any foreign matter or splashing water.
- Do not store (or spill) pool chemicals near the motor.
- Avoid sweeping or stirring up dust near the motor while it is operating.
- If a motor has been damaged by dirt it voids the motor warranty.

### 3. Protect against moisture:

- Protect from splashing pool water.
- Protect from the weather.
- Protect from lawn sprinklers.
- If a motor has become wet, let it dry before operating. Do not allow the pump to operate if it has been flooded.
- If a motor has been damaged by water it voids the motor warranty.

*Note: Do not wrap motor and controller with plastic or other air tight materials during winter storage. The motor and controller may be covered during a storm, winter storage, etc., but never when operating or expecting operation.*

## Winterizing

To protect the IntelliPro® pump electronics from damage due to freezing conditions, the pump will switch itself on to generate internal heat when the air temperature drops below 4.4° C (40° F). The IntelliPro® pump “Anti Freeze” feature is not intended to protect the system plumbing from freezing. The Anti Freeze temperature feature is adjustable and can be changed from 4.4° - 10° C (40° - 50° F). See page 10 for more information.

1. If the air temperature drops below 4.4° C (40° F) the water in the pump can freeze and cause damage. Freeze damage is not warrantable.
2. To prevent freeze damage follow the procedures listed below.
  - Shut off electrical power for the pump at the circuit breaker.
  - Drain the water out of the pump by removing the two thumb-twist drain plugs located at the bottom of the volute. Store the plugs in the pump basket.
  - Cover the motor to protect it from severe rain, snow and ice.
  - Do not wrap the motor in plastic. It will cause condensation and rust on the inside of the motor.

*Note:* In mild climate areas, when temporary freezing conditions may occur, run your filtering equipment all night to prevent freezing.

## Priming the pump after service

Before a system start-up, the pump and system must be manually primed. Make sure to reopen valves before operating. To prime IntelliPro® pump, the strainer pot must be filled with water.



**CAUTION** — DO NOT run the pump dry. If the pump is run dry, the mechanical seal will be damaged and the pump will start leaking. If this occurs, the damaged seal must be replaced. ALWAYS maintain proper water level in your pool. Continued operation in this manner could cause a loss of pressure, resulting in damage to the pump case, impeller and seal.

For instructions about how to prime the IntelliPro® pump, refer to “Priming the pump for the first time or after service” on page 21.

# Section 5

---

## Installation and Removal

The following information describes how to install the IntelliPro® pump.

### Installing the IntelliPro® Pump

Only a qualified service person should install the IntelliPro® pump. Refer to “Important Warning And Safety Instructions” on pages iii to vii for additional installation guidance and safety information.

### IntelliPro® Pump Kit Contents

IntelliPro® Variable Speed pump, FWC cover, gasket, screws, communication cable, suction and discharge port unions, and the Installation and User’s Guide (this manual).

### Location

1. Install the pump as close to the pool or spa as possible. To reduce friction loss and improve efficiency, use short and direct suction and piping returns.
2. Install a minimum of 5 feet (1.52 meters) from the inside wall of the pool and spa. Canadian installations require a minimum of 9.8 feet (3 meters) from pool water.
3. Install the pump a minimum of 2 feet (0.61 meters) from the heater outlet.
4. Do not install the pump more than 8 feet (2.44 meters) above the water level or 3 feet (0.91 meters) below water level.
5. Install the pump in a sheltered well ventilated location protected from excessive moisture, (i.e., rain, sprinklers, etc.).
6. For hot tubs and spas, do not install within an outer enclosure or beneath the skirt of a hot tub or spa.
7. Install the pump with a rear clearance of at least 3 inches (76.2 mm) so that the motor can be removed easily for maintenance and repair.

### Piping

- For improved pool plumbing, it is recommended to use a larger pipe size. When installing the inlet and outlet fittings (male adaptors), use thread sealant.
- Do not install 90° elbows directly into pump inlet or outlet. A valve, elbow or tee installed in the suction line should be no closer to the front of the pump than five times the suction line pipe diameter (i.e., 2 inch (5.1 cm) pipe requires a 10 inch (254 mm) straight run in front of the suction inlet of the pump). This will help the pump prime faster and last longer.
- Flooded suction systems should have gate valves installed on suction and discharge pipes for maintenance, however, the suction gate valve should be no closer than five times the suction pipe diameter as described above.

### Electrical

- A means for disconnection must be incorporated in the fixed wiring in accordance with the wiring rules.
- If the supply cord is damaged, it must be replaced to avoid a hazard. The supply cord can be purchased separately from the manufacturer, its service agent or similarly qualified persons.
- The pump is to be supplied through a residual current device (RCD) having a rated residual operating current not exceeding 30mA.

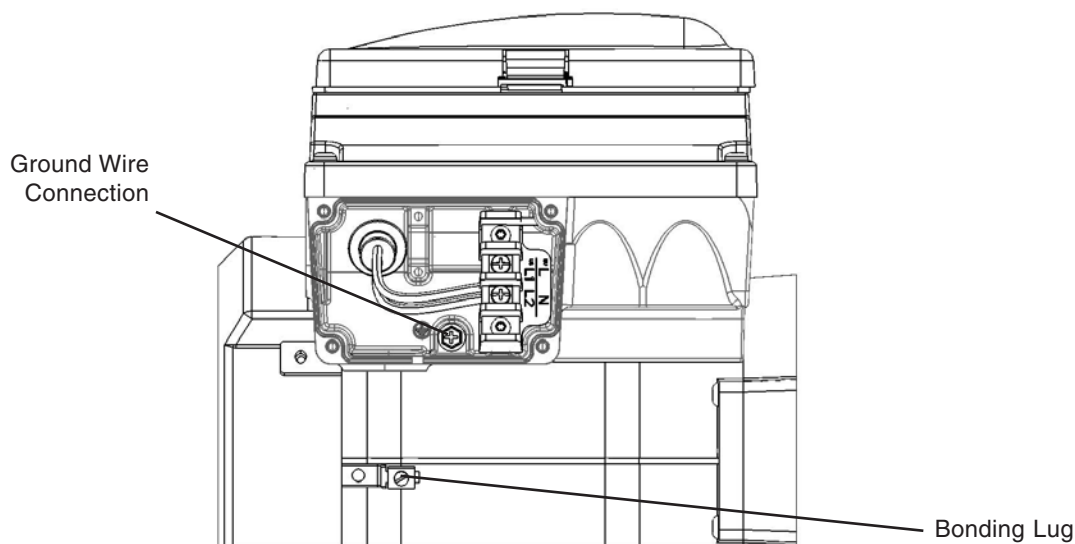


## Wiring the IntelliPro® Pump

### To connect the IntelliPro® pump to an AC power source:

1. Make sure all electrical breakers and switches are turned off before wiring motor.
2. Make sure that the wiring voltage is 230 VAC  $\pm$  10%.
3. Use #12 AWG for wire runs up to 100 feet (30.5 meters) and #10 AWG for lengths longer than 100 feet (30.5 meters). When in doubt use a heavier gauge (larger diameter) wire. Heavier gauge will allow the motor to run cooler and more efficient.
4. Make sure all electrical connections are clean and tight.
5. Cut the wires to the appropriate length so they do not overlap or touch when connected.
6. Permanently ground the motor using the green ground wire, as shown below. Use the correct wire size and type specified by National Electrical Code. Make sure the ground wire is connected to an electrical service ground.
7. Bond the motor to the pool structure in accordance with the National Electrical Code. UL requires use of a solid copper bonding conductor not smaller than 8 AWG. Run a wire from the external bonding lug to the pool bonding structure, as shown below.
8. Connect the wire from the accessible wire connector on the motor to all metal parts of the swimming pool, spa, or hot tub structure and to all electrical equipment, metal conduit, and metal piping within 5 feet of the inside walls of the swimming pool, spa, or hot tub. For Canada, a 6 AWG or larger solid copper bonding conductor is required.
9. The pump should be permanently connected to either a **circuit breaker, 2-pole timer** or **2-pole relay**. If AC power is supplied by a GFCI circuit breaker, use a dedicated circuit breaker that has no other electrical loads.
10. **IMPORTANT: When connecting the pump to an automation system ( IntelliTouch, EasyTouch, SunTouch and IntelliComm), continuous power must be supplied to the pump by connecting it directly to the circuit breaker. When using an automation system, be sure that no other lights or appliances are on the same circuit.**

**NOTE: When the IntelliPro® is started and stopped by removing power with a relay or timer, a two-pole device should be used to apply and remove power to both POWER LINE TERMINALS.**



*Pentair offers 2-Pole 20 Amp GFCI breakers (P/N PA220GF) which offer 6 milliamp personnel protection while meeting NEC 2008 Standards for Pool Pumps.*

## Pump Disassembly/Removing Old Seal

**⚠ WARNING** — Always disconnect power to the pool pump at the circuit breaker and disconnect the communication cable before servicing the pump. Failure to do so could result in death or serious injury to serviceman, pool users or others due to electric shock.



Read all servicing instructions before working on the pump.

**⚠ WARNING** — DO NOT open the strainer pot if pump fails to prime or if pump has been operating without water in the strainer pot. Pumps operated in these circumstances may experience a build up of vapor pressure and may contain scalding hot water. Opening the pump may cause serious personal injury. In order to avoid the possibility of personal injury, make sure the suction and discharge valves are open and strainer pot temperature is cool to touch, then open with extreme caution.

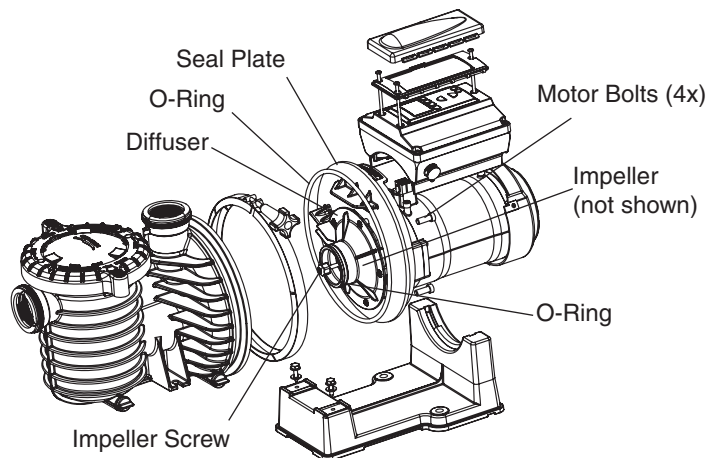
**⚠ CAUTION** — Be sure not to scratch or mar the polished shaft seal faces; seal will leak if faces are damaged.

**Note: Before installing this product, read and follow all warning notices and instructions on page ii.**

Required tools:

- ½ inch open end wrench.
- 7/16 inch open end wrench.
- Flat blade screwdriver.

1. Release all pressure by opening all vents before starting. Be sure gate valves and return piping are closed.
2. Drain the pump by removing the drain plugs on the bottom of the pump body and trap body.
3. Be sure there is no pressure in the trap body. Remove the cover (unscrew by turning the handle ring).
4. Remove the clamp holding the pump halves together. The motor and seal plate assembly can now be pulled away from the pump body.
5. Remove the five screws and washers holding the diffuser to the seal plate. Remove the diffuser.
6. Hold the shaft with a 7/16" open-ended wrench on the motor shaft flats.
7. Unscrew the impeller from the shaft (turn counter-clockwise when facing it).



**Note:** On models with an impeller screw: Remove the impeller screw (left hand thread - turn **clockwise**) and gasket before removing the impeller. Inspect the gasket for damage, cracks, etc. Replace if damaged.

8. Pull the rotating member of the seal off the impeller sleeve - Clean the sleeve.
9. Remove the four screws holding the seal plate to the motor.
10. Place the seal plate face down on flat surface and tap out the ceramic seat.
11. Clean the seal cavity in the seal plate and clean the motor shaft.

## Shaft Seal Replacement

The Shaft Seal consists primarily of two parts, a rotating member and a ceramic seal. The pump requires little or no service other than reasonable care, however, a shaft seal may occasionally become damaged and must be replaced. *Note: The polished and lapped faces of the seal can be damaged if not handled with care. Be sure not to scratch or mar the polished surface to prevent leaks.*

## Pump Reassembly/Installing New Seal

1. Clean the ceramic seat of dirt, grease, dust, etc. Wet the outer edge of the rubber cup on the ceramic seat with water. Press the ceramic seat into the seal plate firmly and squarely with finger pressure (see Figure 1).



Figure 1

2. Place ceramic seat face up on bench and reclean the cavity if seat does not lock properly.
3. If the seat still does not lock properly, place a cardboard washer over the polished face and use a piece of 3/4" (19 mm) standard pipe for pressing purposes.
4. Remount seal plate on the motor. Tighten the bolts to 60-80 inch-lbs. (69-92kg/cm) torque.
5. Apply a small amount of liquid detergent to the inside diameter of rotating half of seal.
6. Slide the rotating seal member, polished face last, over impeller sleeve until the rubber drive ring contacts the shoulder. *Note: Be sure not to nick or scratch the polished seal face. The seal will leak if the face is damaged.*
7. Screw the impeller onto the shaft (clockwise); this will automatically lock the seal in the seal plate. *Note: On models with an impeller screw: Install the impeller gasket and lock screw (left-hand thread - turn **counter-clockwise**). Torque lock screw to 50-55 inch-lbs. (57.6-63 kg/cm).*
8. Mount the diffuser on the seal plate. Tighten screws to 10-14 inch-lbs. (11.2-16.1 kg/cm) torque.
9. Assemble the motor and seal plate to the volute. Be sure the clamp is properly seated  
*Note: Clamp knob can be located in any position around volute; if it is moved after assembly, tighten knob while tapping around clamp to assist sealing. Do not move clamp while pump is full of water.*
10. Reconnect the RS-485 communication cable to the pump.
11. Fill the pump with water.
12. Reinstall the pump lid and plastic clamp. See "Pump Strainer Basket" on page 26 for details.
13. Prime the pump. See "Priming the pump for the first time or after service," on page 20 for more information.

## Drive Assembly Removal and Installation

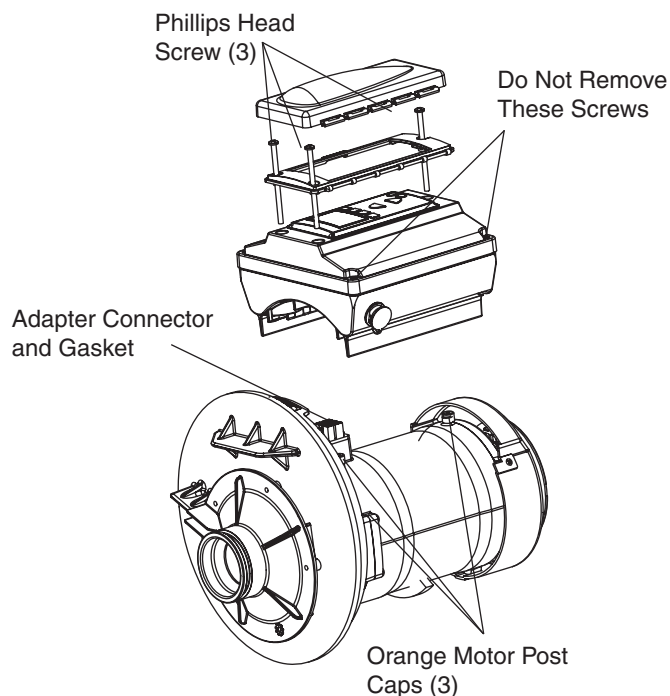
**⚠ WARNING** - To avoid dangerous or fatal electrical shock hazard, switch OFF power to motor before working on pump or motor.

To remove the IntelliPro® drive assembly and control panel from the pump's motor assembly:

1. Disconnect the RS-485 communication cable from the pump.
2. Open the control panel cover.
3. Remove the three Phillips head screws securing the drive to the motor assembly as shown.
4. Lift up the drive assembly and remove it from the motor adapter located on top of the motor assembly.

To install the IntelliPro® drive assembly onto the motor assembly:

1. Be sure all electrical breakers and switches are turned off before installing the drive.
2. Be sure that the gasket between the drive and motor is in place. It is critical in keeping moisture out of the drive and motor. Replace the gasket if damaged. Do not reassemble with a damaged or missing gasket.
3. Verify that the three (3) orange motor post caps are in position before placing the drive on the motor assembly (see illustration below).
4. Align the drive assembly with the motor adapter and seat the drive on the motor assembly.
5. Secure and tighten the drive assembly with the three Phillips head screws.



## Section 6

# Troubleshooting

 **CAUTION** - Before installing this product, read and follow all warning notices and instructions on page iii - vii.

### Alerts and Warnings

The IntelliPro® pump displays all alarms and warnings on the control panel display. When an alarm or warning condition exists, the corresponding LED will be lit on the display. All control panel buttons are disabled until the alarm or warning is acknowledged with the **Enter** button. Press the **Reset** button to clear the alarm once the fault condition has been resolved. Note: The IntelliPro® pump will not start if the impeller is rotating. The alerts and warnings are:

- **Power out failure:** The incoming supply voltage is less than 170 VAC. The drive faults to protect itself from over current. The drive contains capacitors that keep it powered up long enough to save the current run parameters. If power is restored during this process, approximately 20 seconds, the drive will not restart until completed.
- **Priming error:** If the pump is not defined as primed within the “Max Priming Time” it will stop and generate a “Priming Alarm” for 10 minutes, then attempt to prime again. The “Max Priming Time” is set by the user on the priming menu as discussed on page 18. If the IntelliPro® cannot prime within five attempts it will generate a permanent alarm that must be manually reset.
- **Overheat alert:** If the drive temperature gets above 54.4° C (130° F) the IntelliPro® will slowly reduce speed until the over temperature condition clears.
- **Anti-freezing:** When active, the motor will run at the preset RPM until the drive temperature increases above the minimum. The pump’s internal antifreeze protection is disabled when connected to an automation system. Freeze protection is provided by selecting YES at the ON WITH FREEZE portion of the IntelliTouch’s appropriate circuit function menu. To re-enable the internal antifreeze protection, the power to the drive must be cycled off then back on.
- **Over current:** Indicated that the drive is overloaded or the motor has an electrical problem. The drive will restart 20 seconds after the over current condition clears.
- **Over voltage:** Indicates excessive supply voltage or an external water source is causing the pump and motor to rotate thereby generating an excessive voltage on the drives internal DC buss. The drive will restart 20 seconds after the over voltage condition clears.

## General IntelliPro® Troubleshooting Problems

Problem	Possible Cause	Corrective Action
Pump failure. (For IntelliPro alert display messages, refer to Alerts and Warnings on page 34).	<p>Pump will not prime - Air leak in suction. PRIME ERROR may be displayed.</p> <p>Pump will not prime - Not enough water.</p> <p>Pump does not come out of prime.</p> <p>Pump strainer gasket is clogged.</p> <p>Pump strainer gasket is defective.</p>	<p>Check suction piping and valve glands on any suction gate valves. Secure lid on pump strainer pot and be sure lid gasket is in place. Check water level to be sure skimmer is not drawing air.</p> <p>Be sure the suction lines, pump, strainer, and pump volute are full of water.</p> <p>Adjust prime sensitivity to a higher setting (default setting is 1%).</p> <p>Clean pump strainer pot.</p> <p>Replace gasket.</p>
Reduced capacity and/or head. (For IntelliPro alert display messages, refer to Alerts and Warnings on page 34).	<p>Air pockets or leaks in suction line. PRIME ERROR may be displayed.</p> <p>Clogged impeller. PRIME ERROR may be displayed.</p> <p>Pump strainer pot clogged. PRIME ERROR may be displayed.</p>	<p>Check suction piping and valve glands on any suction gate valves.</p> <p>Turn off electrical power to the pump.</p> <p>Remove the (6) bolts that holds the volute to seal plate. Slide the motor and seal plate away from the volute.</p> <p>Clean debris from impeller. If debris cannot be removed, complete the following steps:</p> <ol style="list-style-type: none"> <li>1. Remove diffuser and o-ring.</li> <li>2. Remove left hand thread anti-spin bolt and o-ring.</li> <li>3. Remove, clean and reinstall impeller.</li> <li>4. Reinstall anti-spin bolt and o-ring.</li> </ol> <p>Reinstall diffuser, and o-ring.</p> <p>Reinstall motor and seal plate into volute.</p> <p>Reinstall clamp band around seal plate and volute and tighten securely.</p> <p>Clean suction trap</p>
Pump trips and restarts constantly.	<p>Air in system.</p> <p>Suction lift above design limits.</p> <p>Blocked suction Blocked discharge</p> <p>System flow too high. System changing flow too quickly. In floor cleaning system issues.</p> <p>Priming not enabled.</p> <p>Issues related to other equipment, such as Heat Pumps and Heaters with internal valves that vibrate.</p>	<p>Bleed air from filter. Ensure that air bubbles are not visible coming into pump pot.</p> <p>Insert vacuum gauge into pump port connection port. Confirm vacuum level is 25 in. mercury (hg) or less.</p> <p>Stop pump and clear blockage.</p> <p>Reduce system flow. Change speed. Reduce water flow. In floor cleaning systems must be designed with balanced hydraulic losses on all legs.</p> <p>Enable priming from the "PRIMING" menu.</p> <p>Lowering ramp speed below 200 RPM may resolve the issue or addition of external manual valve controls, may resolve issue.</p>

## General IntelliPro® Troubleshooting Problems (Continued)

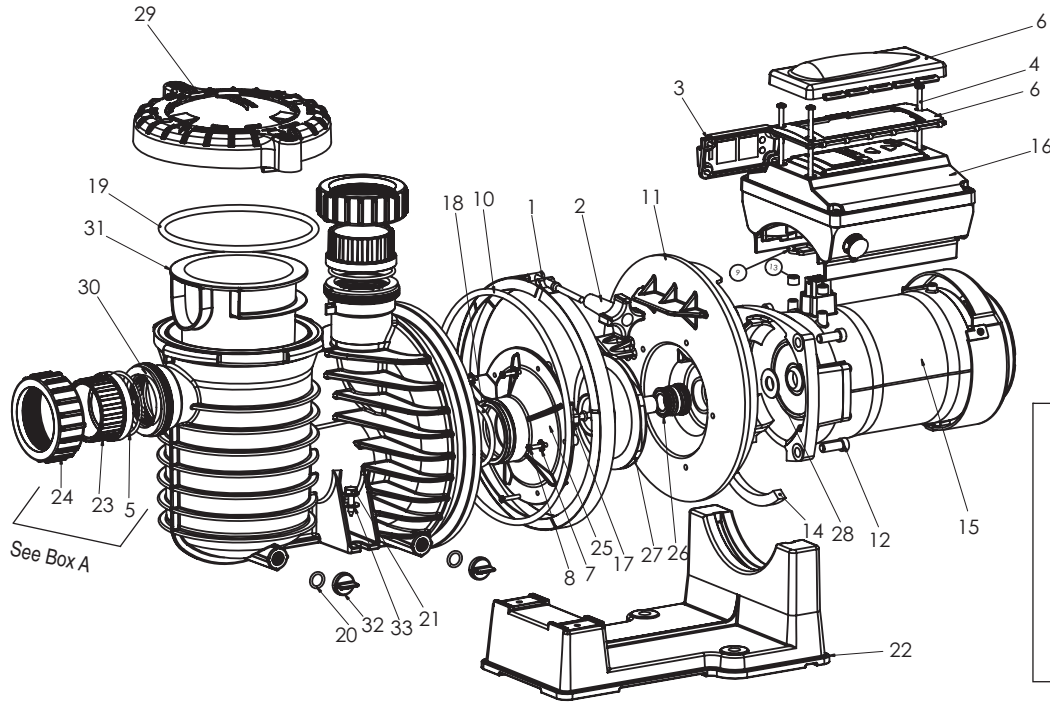
Problem	Possible Cause	Corrective Action
Inadequate circulation. (For IntelliPro alert display messages, refer to Alerts and Warnings on page 34).	Filter or pump basket dirty.  Suction/discharge piping is too small.  Speed is set too slow for proper filtration cycle.	Check trap basket; if plugged, turn pump off and clean basket. Check and clean pool filter.  Increase piping size.  Increase filtration run time
Electrical problem. (For IntelliPro alert display messages, refer to Alerts and Warning on page 34).	Could appear as a “Low Voltage” alarm. PRIME ERROR may be displayed.  Could appear as “Over Heat” alert. PRIME ERROR may be displayed.	Check voltage at motor terminals and at panel while pump is running. If low, see wiring instructions or consult power company. Check for loose connections.  Check line voltage; if less than 90% or more than 110% of rated voltage consult a licensed electrician. Increase ventilation. Reduce ambient temperature. Tighten any loose wiring connections. Motor internal terminal overload protector is open. Motor runs too hot. Turn power to motor off. Check for proper voltage. Check for proper impeller or impeller rubbing.
Mechanical Troubles and Noise.	The pump motor is running but with loud noise.  Foreign matter (gravel, metal, etc.) in pump impeller.  Cavitation.	If suction and discharge piping are not adequately supported, pump assembly will be strained. Do not mount pump on a wooden platform! Securely mount on concrete platform for quietest performance.  Disassemble pump, clean impeller, follow pump service instructions for reassembly.  Improve suction conditions. Increase pipe size. Decrease number of fittings. Increase discharge pressure.
IntelliPro does not respond to IntelliTouch, EasyTouch, SunTouch, IntelliComm commands.	Improper automation IntelliPro setup.  Communication network inoperative.	1. Ensure that the communication cable is connected at both ends. 2. Check that the IntelliPro local address matches with the address used in the IntelliTouch. 3. Check that the IntelliPro has been assigned a circuit name on the IntelliTouch. 4. Ensure that the IntelliPro display says “DISPLAY NOT ACTIVE”.  A defective device on the network can inhibit the proper operation of other network device. Devices should be disconnected sequentially until the network starts working.



# Section 7

## Replacement Parts

### Illustrated Parts List



#### Box A

<b>Pkg. 188 2" Slip Union Kit:</b>	
(Included with the pump)	
U11-200PS	Union Collar (2)
U9-362	O-Ring (2)
U11-196PS	2" Slip Adapter (2)
<b>Pkg. 189 2" NPT Adapter Kit:***</b>	
U11-200PS	Union Collar (2)
U9-362	O-Ring (2)
U11-199P	2" NPT Adapter (2)

ITEM NO.	QTY.	PART NO.	DESCRIPTION	ITEM NO.	QTY.	PART NO.	DESCRIPTION
1	1	C19-37a	V-CLAMP	17	1	37007-6080	IMPELLER SCREW
2	1	WC-36-22	CLAMP, KNOB	18	1	U9-374	O-RING
3	1	350301	COVER, FWC ASSEMBLY	19	1	35505-1440	O-RING 6.90 O.D. 6.35 I.D.
4	3	350107	10-24 3 1/4" PH MS 18-8 SS	20	2	U9-359	O-RING DRAIN PLUG
5	2	U9-362	O-RING #2-231	21	2	U30-918	SCR 5/16-14 X 1 IN LG HI-LO HEX
6	1	357290	CVR CNTR ASSY, BLK	22	1	C4-78P	BASE
7	5	U43-21SS	#8 EXT TOOTH WASHER	23	2	U11-196PS	2" SLIP ADAPTER
8	5	U30-922SS	SCREW DIFFUSER	24	2	U11-200PS	UNION COLLAR
9	1	350108	GASKET INTELLIPRO DRIVE	25	1	C1-271P	DIFFUSER
10	1	U9-228A	O-RING	26	2	37400-0028S	SHAFT SEAL, VITON
11	1	C103-194P	SEAL PLATE	27	1	C105-238PLA	IMPELLER ASSEMBLY
12	4	U30-99SS	SCR CAP 3/8-16 X 1" SOC HEAD	28	1	17351-0009	SLINGER PUMP SHAFT 1/16 IN
13	3	350142	CAP SPACER	29	1	17307-0110S	TRAP COVER ASSEMBLY *
14	1	C35-11	MOTOR PAD	30	1	17307-0110S	TANK BODY ASSEMBLY **
15	4	357294	MTR 3.2KW PMSM VFD	31	2	C8-58P	TRAP BASKET
16	1	353252	DRIVE INTELLIPRO VARIABLE SPEED	32	2	U78-920P	DRAIN PLUG
				33	2	U43-41SS	WASHER 5/16 TYPE B NARROW

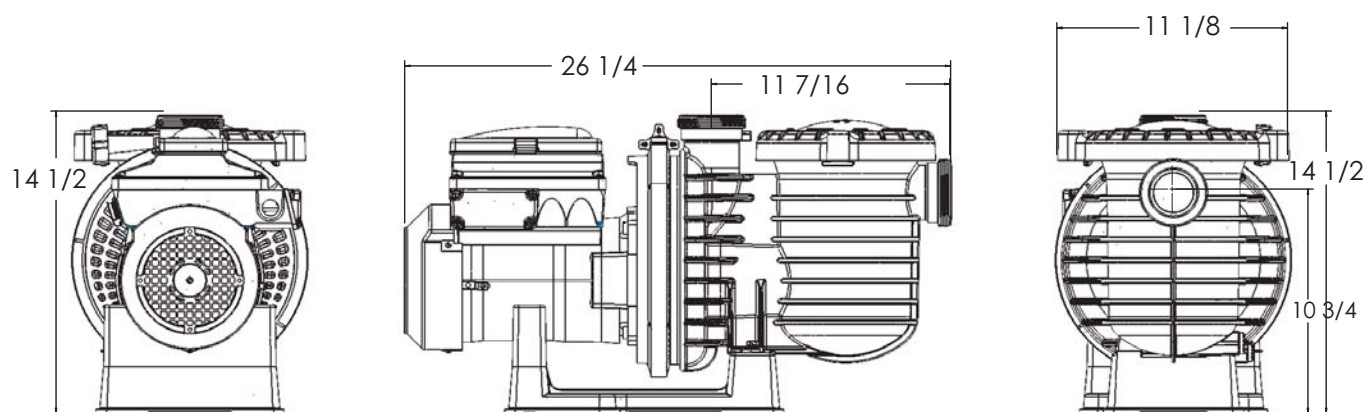
(\*) Includes TRAP COVER, TRAP RING AND COVER O-RING

(\*\*) Includes TRAP BODY, BASKET, DRAIN PLUGS AND TRAP COVER ASSEMBLY

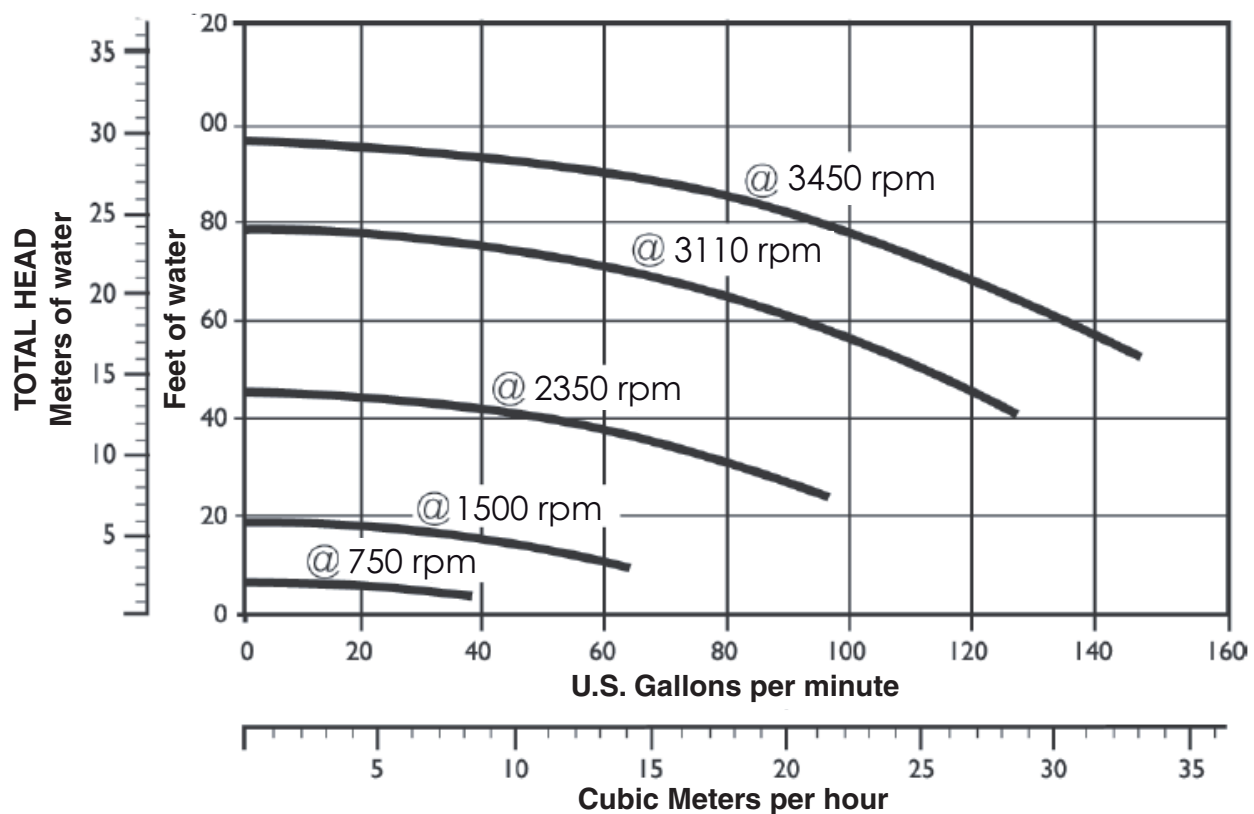
(\*\*\*) THIS KIT IS NOT INCLUDED WITH THE PUMP BUT MAY BE PURCHASED SEPARATELY.

Pentair Water Pool and Spa, Inc. GFCI Circuit Breaker (2-pole 20 amp GFC, P/N PA220GF) available to separately

## IntelliPro® Pump Dimensions



## IntelliPro® Pump Performance Curve



## IntelliPro® Electrical Specifications

**Circuit Protection:** Two-pole 20 AMP device at the Electrical Panel.

**Input:** 230 VAC, 50/60 Hz, 3200 Watts



LIT. PKG. P/N 354832

## SAVE THESE INSTRUCTIONS

© 2012 Pentair Water Pool and Spa, Inc. All rights reserved.

This document is subject to change without notice.

1620 Hawkins Ave., Sanford, NC 27330 • (919) 566-8000  
10951 West Los Angeles Ave., Moorpark, CA 93021 • (805) 553-5000



All Pentair trademarks and logos are owned by Pentair, Inc. IntelliPro®, IntelliComm®, EasyTouch®, IntelliTouch®, SunTouch® and Eco Select™ are trademarks and/or registered trademarks of Pentair Water Pool and Spa, Inc. and/or its affiliated companies in the United States and/or other countries. Unless expressly noted, names and brands of third parties that may be used in this document are not used to indicate an affiliation or endorsement between the owners of these names and brands and Pentair Water Pool and Spa, Inc. Those names and brands may be the trademarks or registered trademarks of those third parties. Because we are continuously improving our products and services, Pentair reserves the right to change specifications without prior notice. Pentair is an equal opportunity employer.



P/N 354831 Rev. C 4/30/12

# STA-RITE®