

32" CHANNEL DRAIN DEBRIS CATCHER SUCTION OUTLET WITH PVC THREE-PORT MANUFACTURED SUMP



Certified to
NSF/ANSI/CAN 50
ANSI/APSP/ICC-16 2017

Open Area
32.0 in²

For SOFA Specific Flow Ratings and specifications please scan QR code or visit www.aquastarpoolproducts.com/flowcode



FEATURES

Certified, Listed, and Labeled in conformance with APSP/ANSI/ICC-16 2017 and NSF/ANSI/CAN 50 standards

Uniquely engineered concave/convex design allows for superior debris catching while exceeding UL articulate probe finger and knuckle ASME A112 2008 tests

Three ports: bottom 2½" OD, 2" ID S/S; inside 2" threaded FPT; two 2" threaded plugs included

Strong PVC sump does not require transitional glue

Designed for use with 2" hydrostatic relief valve part #HVxxx (see page 90)

Disposable plastic pre-gunite/plaster insert keeps debris out and retains sump shape during construction

#316 stainless steel screws

Manufactured from superior UV-resistant engineered polymers

Online product support including downloadable CAD files, General Certificate of Conformity, third-party certificate, installation instructions and more

Replace drain cover every five years from the date of installation

4 per case

NOTICE: White assemblies will come with a white PVC sump, all other colors are shipped with a medium gray sump

U.S. Patent No. 9,790,699

STANDARD COLORS

- 32CDLT101 – White
- 32CDLT103 – Light Gray
- 32CDLT105 – Dark Gray

Also available as sump only, p/n 32CDPxxx
4 per case

Also available cover only without sump/frame, p/n 32CDLTNFxxx
40 per case

Unblockable!

NEW Improved water stop and sump design

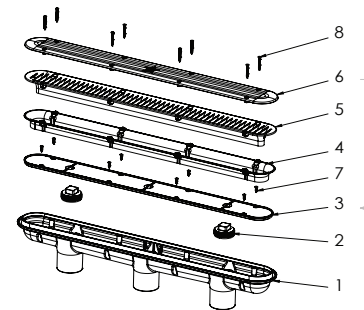
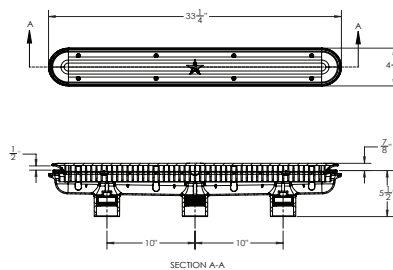
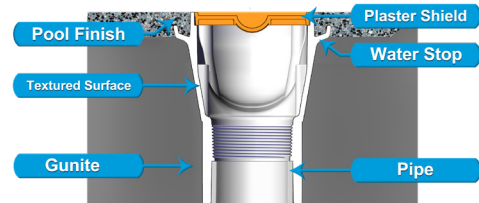


NEW

Optional 2" hydrostatic relief valve available p/n HVK101 See page 90 for more details

With sump (concrete pools)
Part # 32CDLTxxx

NEW Water Stop and Textured Sump



1. 32" Three-Port PVC Sump
2. 2" Tapered Threaded Pipe Plug, Qty 2
3. 32" Channel Drain Plaster Shield
4. 32" Channel Drain Leaf Trap Insert
5. 32" Channel Drain Leaf Trap Support
6. 32" Channel Drain Leaf Trap Cover
7. 10 x 3/4" Flat Head Phillips, 316 SS, Qty 8
8. 10 x 1-3/4" Flat Head Phillips, 316 SS, Qty 8

PLASTER SHIELD AND SCREWS TO BE REMOVED AFTER GUNITE/PLASTER APPLICATION

P 877-768-2717 F 877-276-POOL Outside the US: P +1-949-336-1940 F +1-949-336-1940
info@aquastarpoolproducts.com www.aquastarpoolproducts.com