



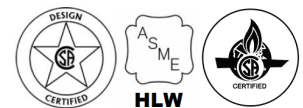
**Product Submittal for ASME Atmospheric
Gas Pool Heater
Models B-R268A & B-R408A**

Date: _____ Job: _____ Location: _____
Equipment Tags: _____ Engineer: _____ Contractor: _____
Model: _____ Notes: _____
Prepared by: _____ Indoor Outdoor Gas Type: Natural Gas Propane

- 82% Efficiency
- ASME Bronze headers
- ASME Cupronickel fin tubes
- 75 lb. pressure relief valve
- Small footprint
- Unitherm governor anti-condensation control
- Indoor/outdoor
- 3-year parts & labor / 5-year heat exchanger warranty
- Proudly assembled in the USA



Shown with outdoor top





Product Submittal for ASME Atmospheric

Job: _____

Features and Options

Heat Exchanger

- ASME HLW stamped; 100 PSIG MAWP
- National board registered
- Bronze headers
- Cupronickel finned tubing
- ASME steel tube sheet
- Silicone O-rings
- Pressure relief valve
 - 75 PSIG (standard)
 - A-15 125 PSIG (optional, shipped loose)
- T&P Gauge
- 75 PSIG Pressure relief valve
- Flow configuration (two-pass)

Power

- 120/240V, 60Hz, 1 Ph power supply

Control

- 100% Pilot shutoff; lockout (propane units only)
- Electronic, intermittent ignition pilot (IID)
- High limit, auto reset, fixed, 160°F
- High limit, auto reset, fixed, 135°F
- On/off Switch
- 120/240/24V, Transformer
- Flame rollout switch
- Water flow switch
- Dual electronic temperature sensor
- Digital display with diagnostics
- Water connections
 - Right hand (standard)
 - Left hand (field change)

Gas Control Train

- Fuel
 - Natural gas
 - Propane (minimum grade HD-5)
- Combination control valve
- On/off firing

Construction

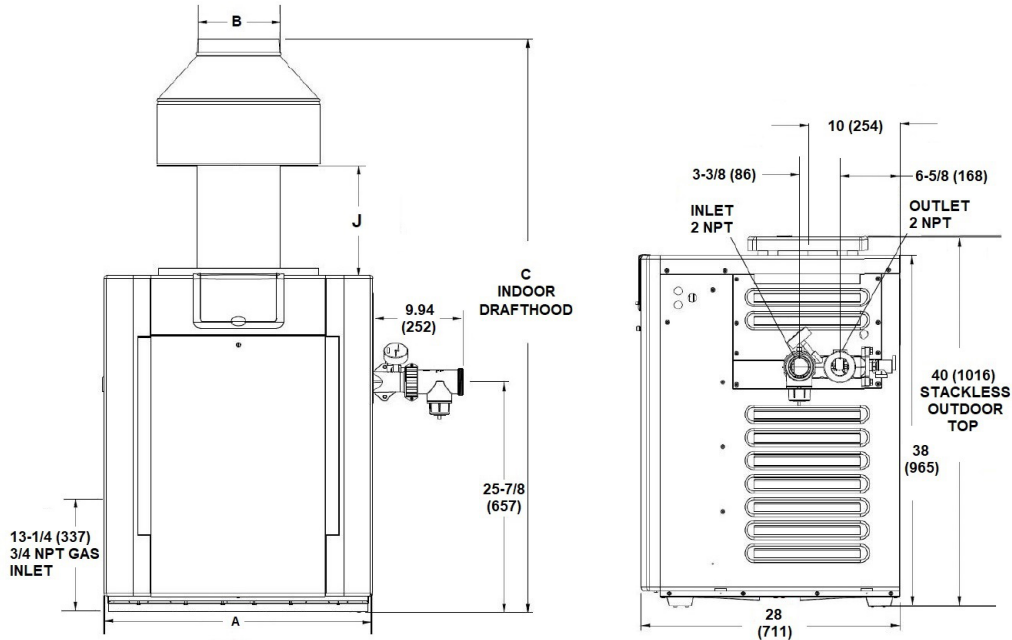
- Front controls
- Stainless steel burners
- Polytuf powder-coat finish
- Indoor/outdoor
- Can be installed on combustible surfaces (not on carpeting)
- ANSI Z21.56 Design certified

Venting

- Outdoor stackless top (standard)
- Indoor draft diverter, loose (optional)
- D-2 Power vent indoor, loose (see P/N 241243)
- D-10 Residential indoor draffhood
- D-13 Residential high wind top (optional outdoor)

Other Options

- PoolStat cover/lock kit
- X-10 Restraint bracket (Florida code requirement)



Heater Model	MBTUH (kWh) Input	Dimensions - Inches (mm)				Approx. Shipping Weights lbs. (kg)	
		Cabinet Width (A)	Indoor Draffhood Flue Dia. (B)	Height with Indoor Draffhood (C)	(J)	With Stackless Top	With Indoor Draffhood
B-R268A	266 (78)	23 (587)	7 (178)	62 (1575)	11 (280)	229 (104)	15 (7)
B-R408A	399 (117)	29 (737)	9 (229)	64-1/2 (1638)	12-1/8 (308)	268 (122)	20 (9)

Notes:

1. The model number prefix indicates: (B=Bronze header), (R=Raypak) Model number suffix indicates: pilot type (E = digital) and fuel type (P = propane, N = natural gas) fin tubing (X=Cupronickel, C= Copper). Example: Model number B-R408A-EN-X indicates a unit with digital (IID) ignition using natural gas with bronze headers and cupronickel tubes.

2. Ratings are for natural gas and elevations up to 2,000 feet above sea level. Reduce input 4% for each 1,000 feet above sea level when installed at over 2,000 feet elevation.

Heater Model	Power Consumption
B-R268A	120VAC - 4 amps
B-R408A	240VAC - 2 amps