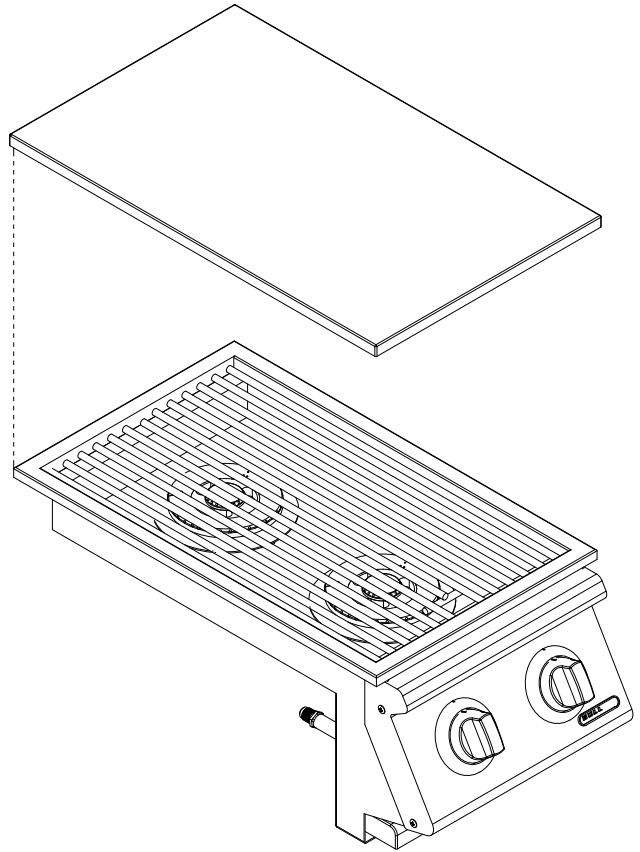
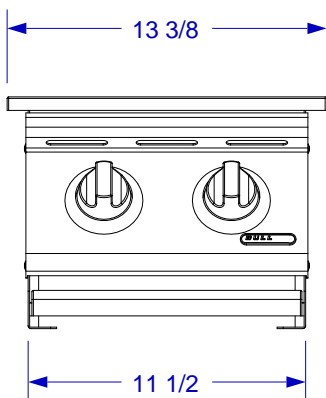




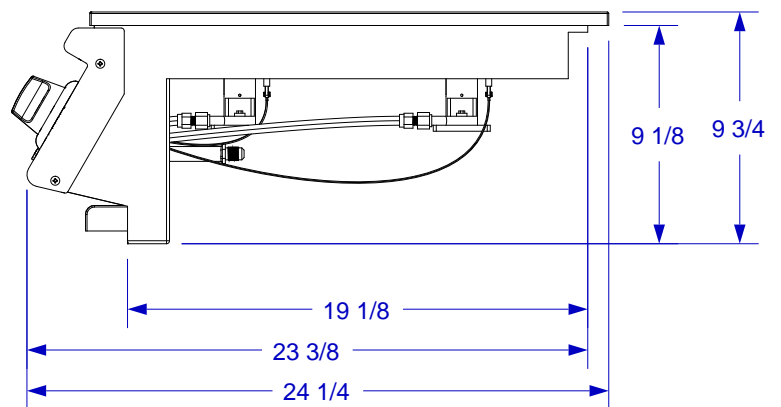
# SLIDE-IN DOUBLE SIDEBURNER SPEC SHEET



ISOMETRIC VIEW



FRONT VIEW



RIGHT SIDE VIEW

**NOTES:**

1. CUTOUT DIMENSIONS: 12 1/8" W X 20 1/2" L X 10" D
2. SCALE: 1 1/2" = 1'-0"
3. REVISION: 01/2012