



SaltronTM Retro

Portable Salt Chlorine Generator





Aquatron is pleased to introduce the Saltron Retro, a salt chlorine generator for in-ground and above ground swimming pool.

This self-contained purification system utilizes a natural process to generate pure chlorine. The electrolytic process uses a very low concentration of salt (less than a teaspoon per gallon) and generates free chlorine. The chlorine continuously kills bacteria and algae and then reverts back to salt. This indefinite cycle leaves the water feeling silky, soft, refreshing and sparkling clear. Saltron is easy to install, economic, and fully automatic.



Power Supply Unit



Saltron™ Retro



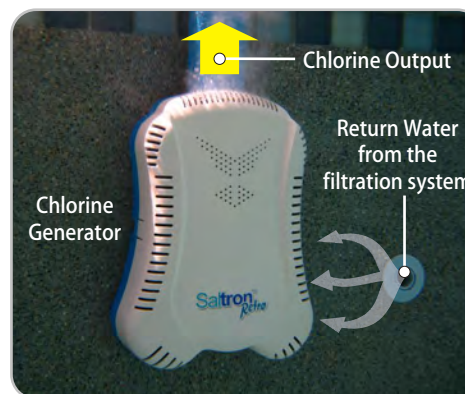
With Saltron Retro you'll see the benefits of natural chlorine:

- No more purchasing, transportation or storage of chlorine.
- No more skin irritations and itchy red eyes.
- No more faded bathing suits.
- No more harsh chemicals in your swimming pool.
- Eco-friendly- low electricity to operate compared to in-line salt chlorinators

A step above the competition:

- Easy installation on new and existing pools - no plumbing required.
- Programmable digital timer to adjust chlorine output.
- LED indicator lights illuminate for easy salt level reference.
- Commercial grade titanium cell plates coated with precious metals.
- Reverse polarity keeps cell clean and prevents scaling.
- Clear cell housing allows user to easily inspect cell for scaling.
- Switch-mode power supply supplies smooth current to cell resulting in longer lifetime.
- Critical fault protections with automatic shut-down.
- Helps keep a consistent Free Chlorine residual.

Preparing your pool for a Saltron system is easy. Simply bring the salt level to 3,000 ppm and begin sanitizing.



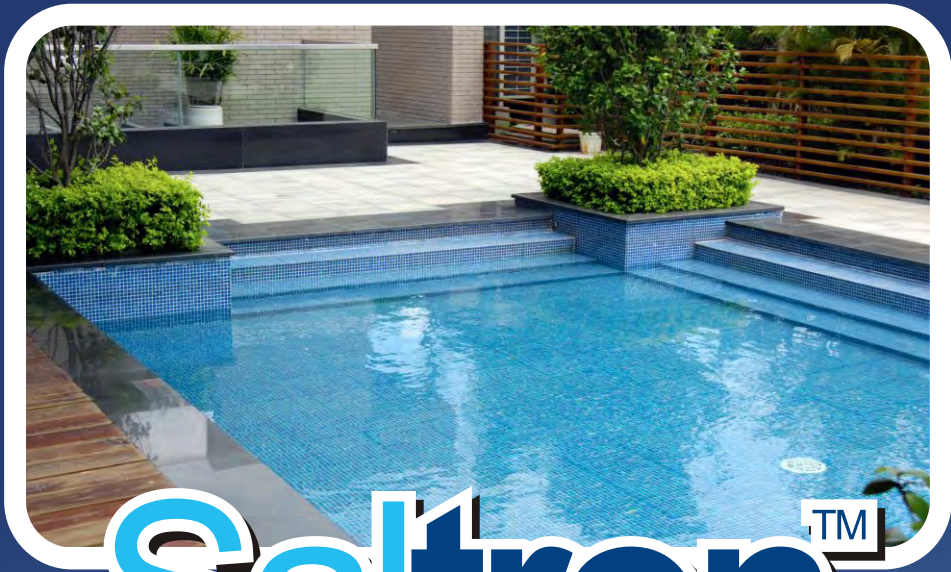
Saltron Retro

Pool Size: Up to 20,000 Gallons
Input: 115 VAC, 50/60 Hz, 1.5 AMPS
230 VAC, 50/60 Hz, 0.75 AMPS
Output: 20 VDC @ 3 AMPS
Chlorine production: 0.4 lbs. / day
8 grams / hour



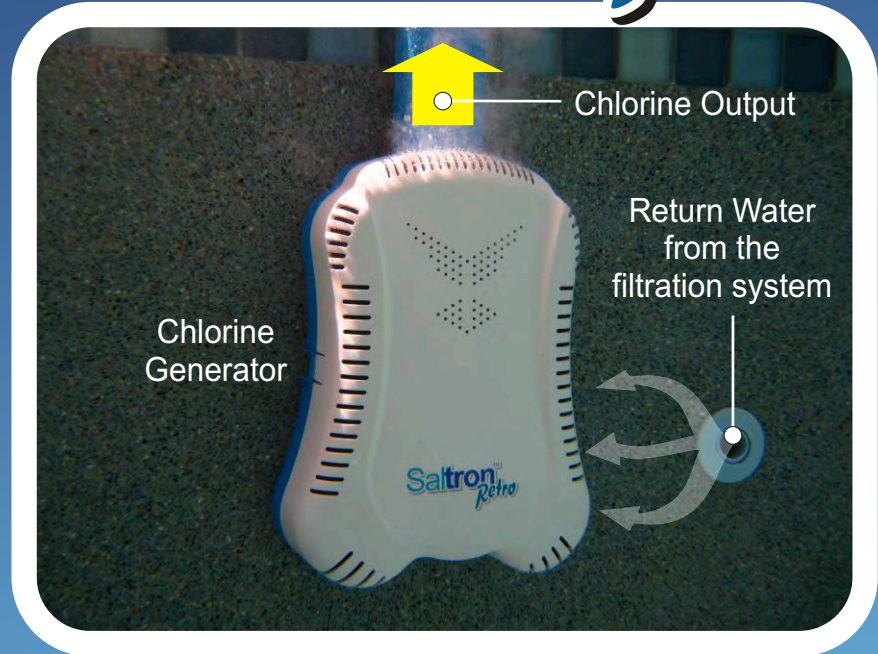
Saltron™ *Retro*

MADE IN USA



For Inground
and Aboveground
Swimming Pools

SaltronTM Retro





SaltronTM
Retro

Display Box



Feature Comparison Chart

	Saltron Retro	In-line Chlorinator	ChlorEase (China)
			

Installation required?	● No	● Yes (\$300 average install fee)	No
Electrical	● Plug-in	● certified electrician required	Plug-in
Plumbing	● Drop-in	● plumbing required (approx 1.5 hrs)	Drop-in
Pool circulation pump run required?	● No	● Yes (1.5 hp avg- .20 per hr)	No
Salt level	● 3000 ppm	3000 ppm	● 3700 ppm
Pump required to produce chlorine?	● No	● Yes	No
Chlorine Timer included?	● Yes	● No	Yes
Cell cleaning easy?	● Yes (once a season)	● No	● No (every week)
Serviceable by shipping	● Yes	● No (pool technician on-site required)	Yes
Dangerous gas accumulation (cell explosion)?	● No (direct vent to pool)	● Yes (dependent on sensors)	No (direct vent to pool)
Safety Flow sensor necessary?	● No	● Yes	No
Chlorine Output	● 8 gram/hour	12 gram/hour	● 3 gram/hour
Up to date current reversal technology	● Yes	Yes	● No
Maximum Pool Size treatable	● 20,000 Gallons	20,000 Gallons	● 7,500 Gallons (Actual Test)
Average system price (without installation)	● \$400	● \$800	\$250
Average replacement cell cost	● \$200	● \$450	● not replaceable

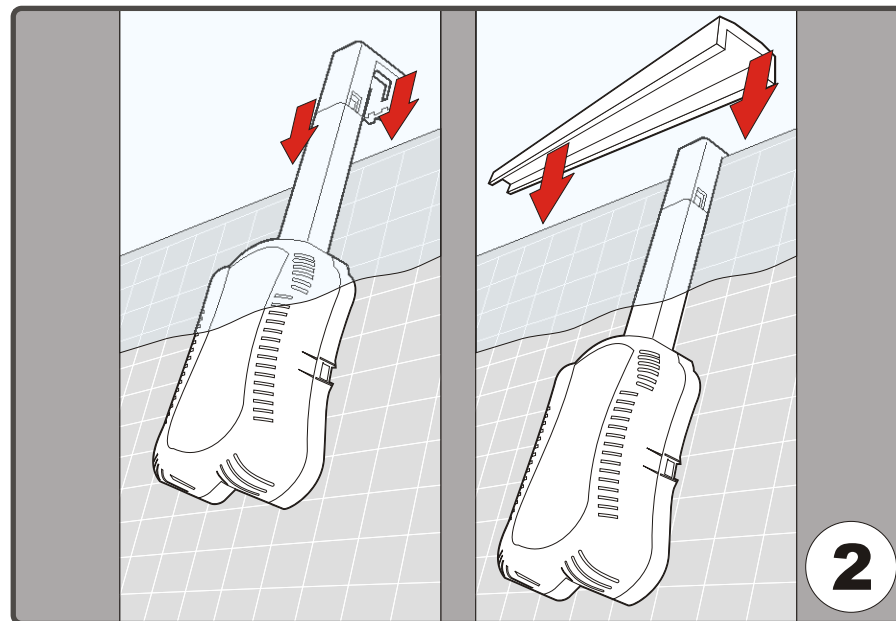
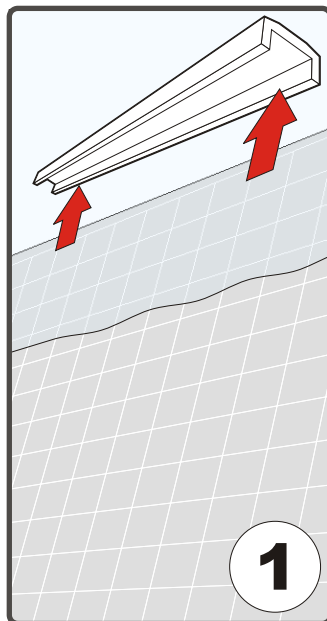
INSTALLATION

1. The pool chemistry must be balanced before installing the Saltron in the swimming pool.

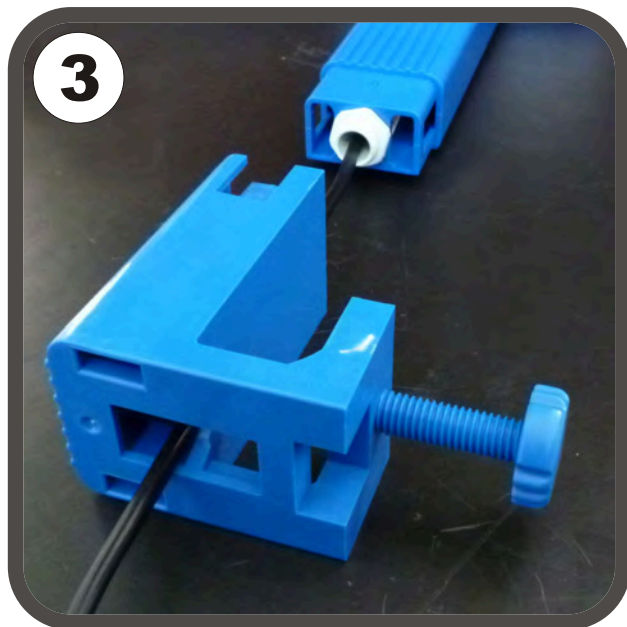
2. Locate an area of the pool which has an easy access to a GFCI socket. This product will work best if installed in close proximity to the pool return, which is an outlet where water is returned to the pool after going through the filter system.

3. **For above-ground pool installation**, remove screws and caps securing the top ledge of the pool in the desired area (**Fig.1**)

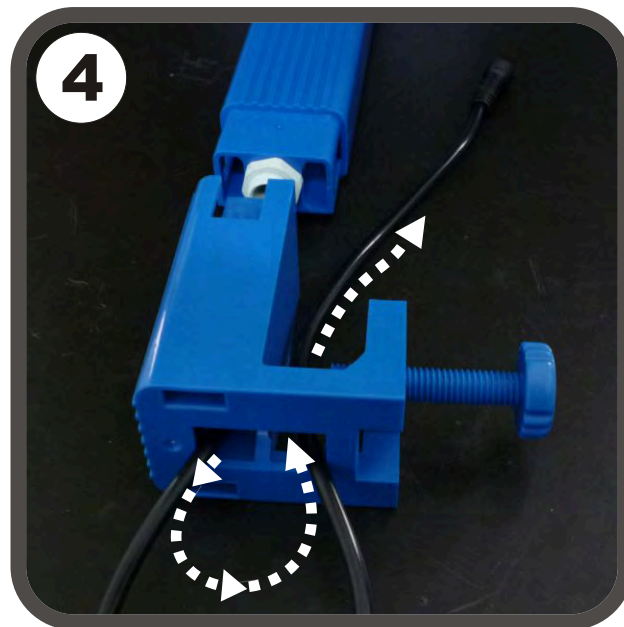
Hang the Saltron on to the ledge and tighten the bracket screw to secure. Re-attach the cap to the pool ledge. (**Fig.2**)



4. **For above-ground pool installation**, the upper hanger (above-ground) should be affixed to the lower hanger using the following steps:



a. Pull cable up through upper hanger (**Fig.3**).



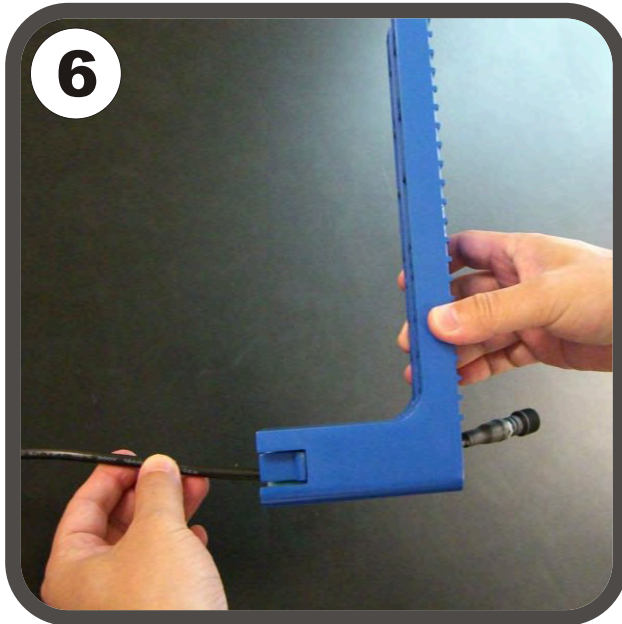
b. Push cable back through other hole of upper hanger (**Fig.4**).



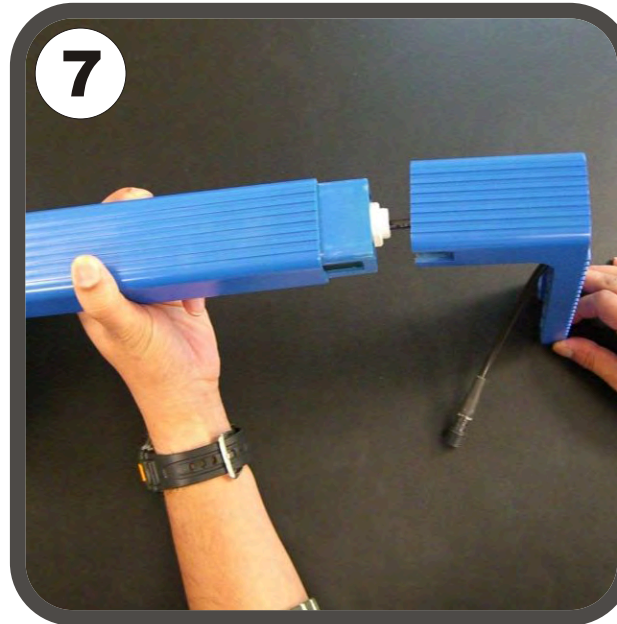
c. Secure upper hanger AG to lower hanger (**Fig.5**).

INSTALLATION

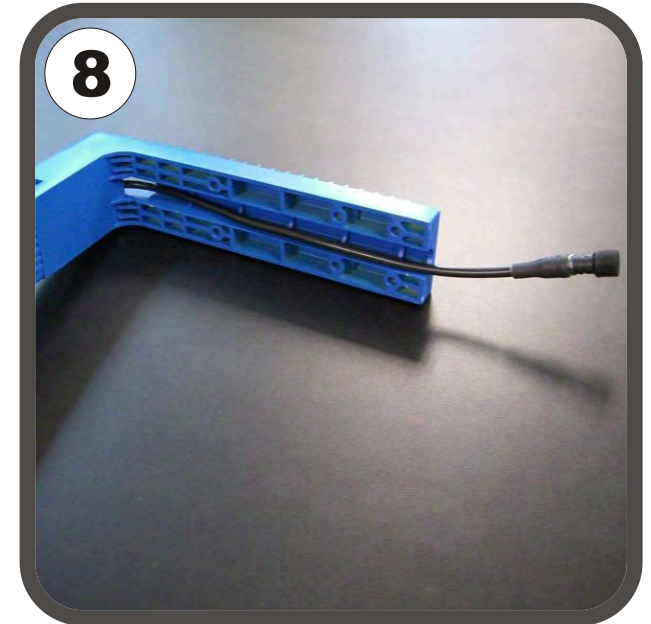
For In-ground pool installation, the upper hanger (In-ground) should be affixed to the lower hanger using the following steps:



a. Pull the cable up through the middle hole of the upper hanger IG (Fig.6).



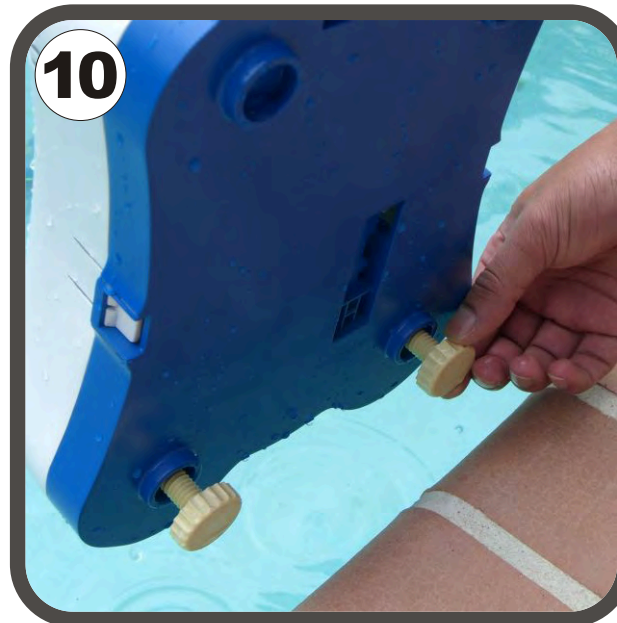
b. Snap the upper hanger IG onto the lower hanger (Fig.7).



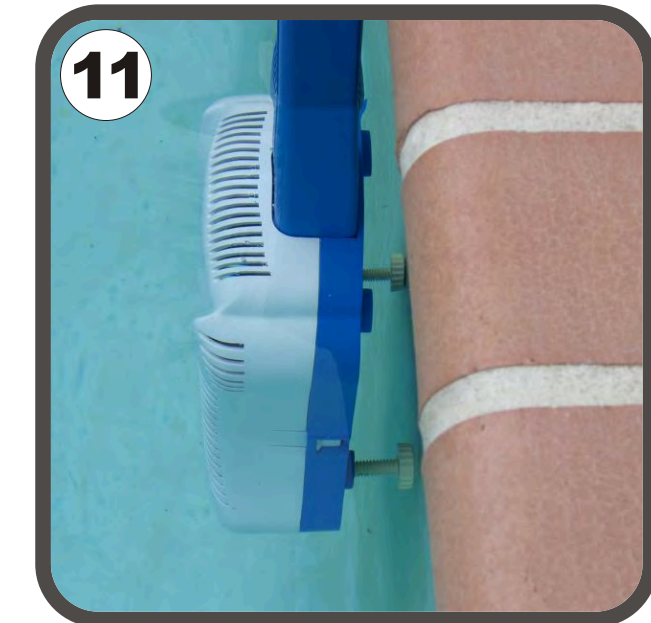
c. Loop the cable through the upper hanger hole and under the assembly (Fig.8).



5. Affix the upper hanger directly on the pool edge using hardware kit provided (Fig.9).



6. Adjust the thumb screws so that both are touching the pool wall (Fig.10, 11).



INSTALLATION



7. Affix the power supply to a wall or a post near the pool in a shaded area (**Fig.12**).

8. Connect the cell cable connector securely into the power supply cable connector (**Fig.13**).

9. Plug power supply into the GFCI socket.

10. Bubbles will rise from the unit in the water and a white milky cloud may be observed. This is absolutely normal and no special attention is needed.

11. The unit will default to 20 hours of chlorination per day and the green LED should be illuminated. If the HIGH or LOW SALT LED is illuminated, please refer to the troubleshooting section of this manual.

12. Leave the unit on its default setting for a few days and monitor the chlorine level each day. To adjust the chlorine setting on the Saltron, refer to the Chlorine Adjustment section of this manual.

The Saltron system is designed to automatically generate the chlorine for your pool. It is very important to note that chlorine is just one component of your pool chemistry. Please make sure your pool meets the optimum chemistry levels in the following Pool Chemistry Chart. Test your water weekly or take a water sample to your nearest pool store. Maintaining these levels will maximize the life of this product. Be sure to inform the pool professional that you are using a chlorine generator.

Pool Chemistry Chart


FACTORS EFFECTING POOL CHEMISTRY

- 1 Salt
- 2 PH
- 3 Free Chlorine
- 4 Total Alkalinity
- 5 Cyanuric Acid
- 6 Saturation Index
- 7 Phosphates
- 8 Nitrates
- 9 Metals
- 10 Calcium Hardness

PREFERRED LEVELS

- 3000 to 4000 ppm
- 7.2 to 7.6
- 1 to 3 ppm
- 80 to 120 ppm based on the Saturation Index
- 60 - 80 ppm
- 0 ± 0.3
- 0 ppm
- 0 ppm
- 0 ppm
- Depends on the pool finish

CHLORINE ADJUSTMENT

After everything is setup, the display will show you a default screen with the current hours of operation per day. You may change this setting anytime by holding down the  for 3 seconds straight. The display will flash indicating it is now ready for time setting changes. In order to determine the proper chlorine timer setting for your pool, measure the free chlorine level every couple of days during the first few weeks. Adjust the timer accordingly to achieve 1.0-3.0 PPM of Free Chlorine. It is advised to check the chlorine level at least once a week to make sure the pool is properly sanitized. Weather, bather load, and sunlight have a major influence on the chlorine demand of the pool.

Note: If the pool has reached an undesirable amount of chlorine, it is recommended to unplug the Saltron power supply from the GFCI socket. Check chlorine levels each day until the desired level is achieved. Plug the power supply back into the GFCI socket once the chlorine level is within the desired limit.

SALT REQUIREMENT

The best salt is a food-quality granulated salt, a 99.9% pure salt or solar salt. These types of salt should be purchased from a pool store and are designed for use with chlorine generators.

Do not use rock salt, iodized salt or salt with anti-caking additives. Do not use salt with more than 1% yellow prussiate of soda.

Salt Table: Amount of salt needed to achieve 3000 ppm level in your pool.

Pool Size in Gallons/ (Cubic Meters)	Salinity (ppm) measured in pool							
	0	500	1000	1500	2000	2500	3000	3500
10,000 (38m ³)	250 lbs/ (114 kg)	210 lbs/ (95 kg)	170 lbs/ (76 kg)	125 lbs/ (57 kg)	85 lbs/ (38 kg)	40 lbs/ (19 kg)	0	0
12,000 (45m ³)	300 lbs/ (136 kg)	250 lbs/ (114 kg)	200 lbs/ (91 kg)	150 lbs/ (68 kg)	100 lbs/ (45 kg)	50 lbs/ (23 kg)	0	0
14,000 (53m ³)	350 lbs/ (159 kg)	290 lbs/ (132 kg)	235 lbs/ (106 kg)	175 lbs/ (79 kg)	120 lbs/ (53 kg)	60 lbs/ (26 kg)	0	0
16,000 (61m ³)	400 lbs/ (182 kg)	335 lbs/ (151 kg)	270 lbs/ (121 kg)	200 lbs/ (91 kg)	135 lbs/ (61 kg)	70 lbs/ (30 kg)	0	0
18,000 (68m ³)	450 lbs/ (204 kg)	375 lbs/ (170 kg)	300 lbs/ (136 kg)	225 lbs/ (102 kg)	150 lbs/ (68 kg)	75 lbs/ (34 kg)	0	0
20,000 (76m ³)	500 lbs/ (227 kg)	420 lbs/ (189 kg)	335 lbs/ (151 kg)	250 lbs/ (114 kg)	170 lbs/ (76 kg)	85 lbs/ (38 kg)	0	0

The optimum salt level is between 3000-4000 ppm. Use the chart above to determine the amount of salt for your pool. The column on the left is the amount of water in your pool. The column on the top is the current salt level measured in your pool. Always check your salt level before adding salt to the pool even if this is your first time.

Prior use of liquid chlorine and tablets could have caused an increase in salt levels.

SaltronTM *Retro*



info@aquatron.us

tel: 561-455-0252

fax: 561-455-0257

www.aquatron.us