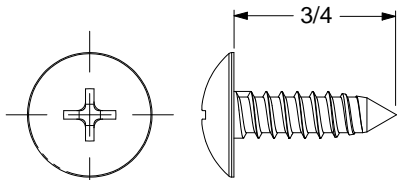


ASSEMBLE Top Seat, Vertical and Cover 6 FRAME

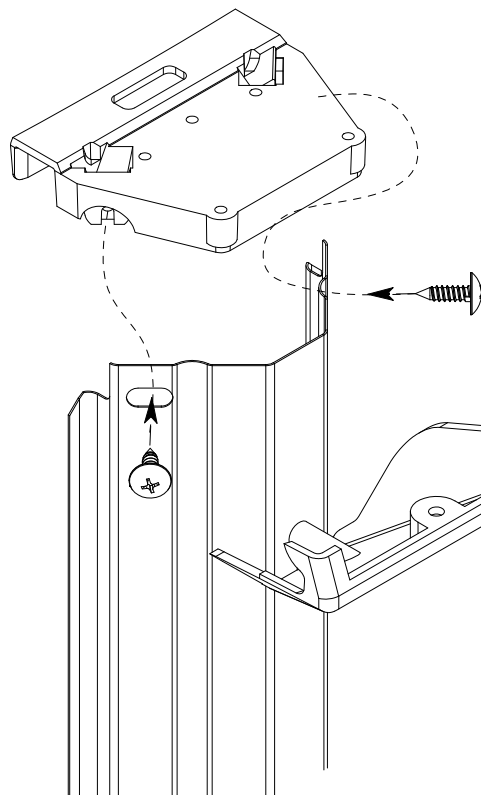
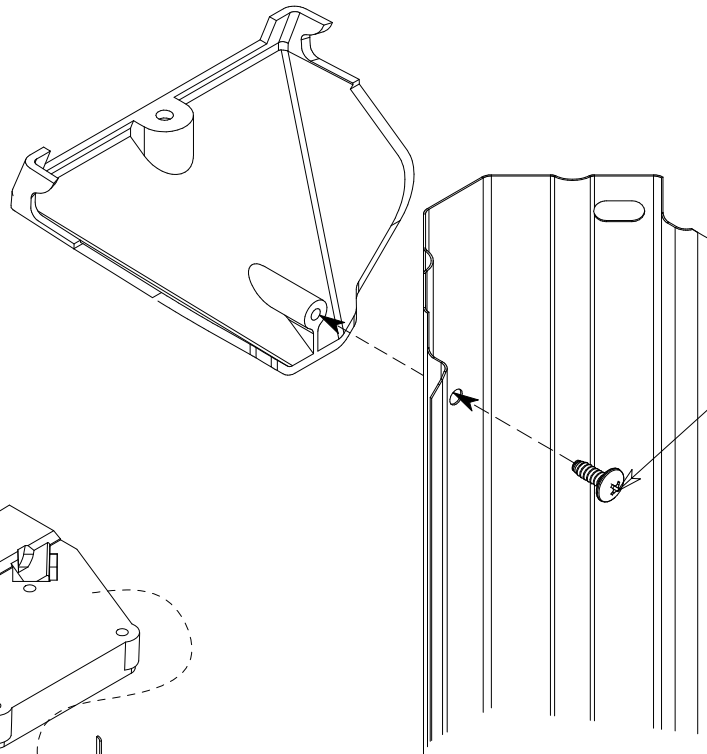
a) PRE-ASSEMBLING VERTICALS

Put cover bracket as shown in the figure.
Tighten up #12 Sheet Metal Screw.

Put Resin Upper Joint as shown in the Figure,
tighten up #12 Sheet Metal Screws.



P.No.0341
#12 Sheet Metal Screw



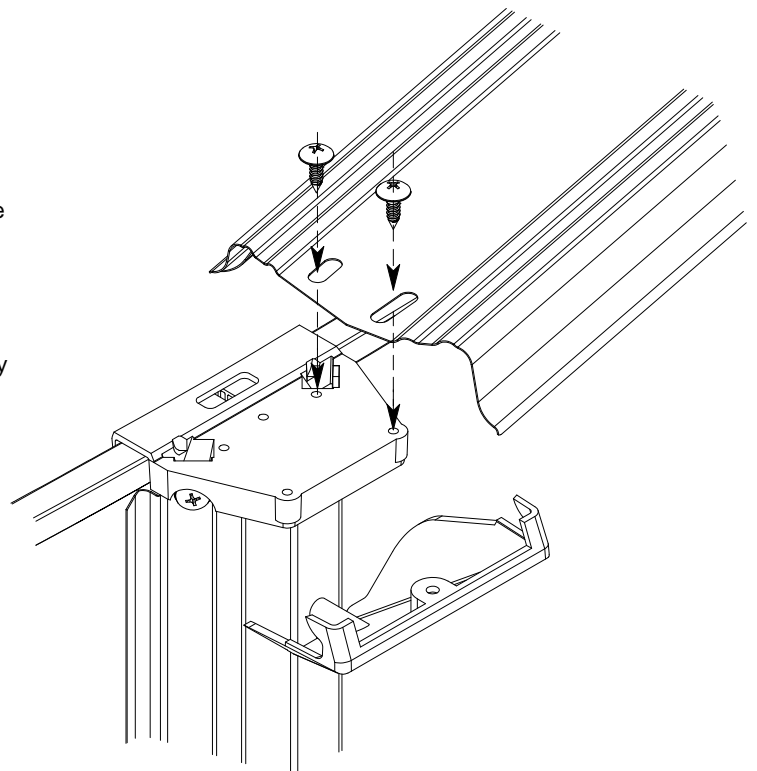
b) INSTALLING VERTICALS

Hook Assembled Resin Upper Joint over the
top rail. Secure the bottom of vertical to Resin
Lower Joint by #12 Sheet Metal Screws,
Continue installing verticals in this manner
All around the pool.

c) INSTALLING TOP SEATS

Place each of the top seat over the upper joints and secure
with #12 Sheet Metal Screws.

Install all of top seat in this way around entire pool.
Top seat are installed between verticals.
Each end of top seat rest on upper joint and attached to it.
It may be necessary to move the complete verticals slightly
to left or right to accommodate the top seat.
Do this carefully as not disturb the earth mound, Check all
screws to be sure they are tight.

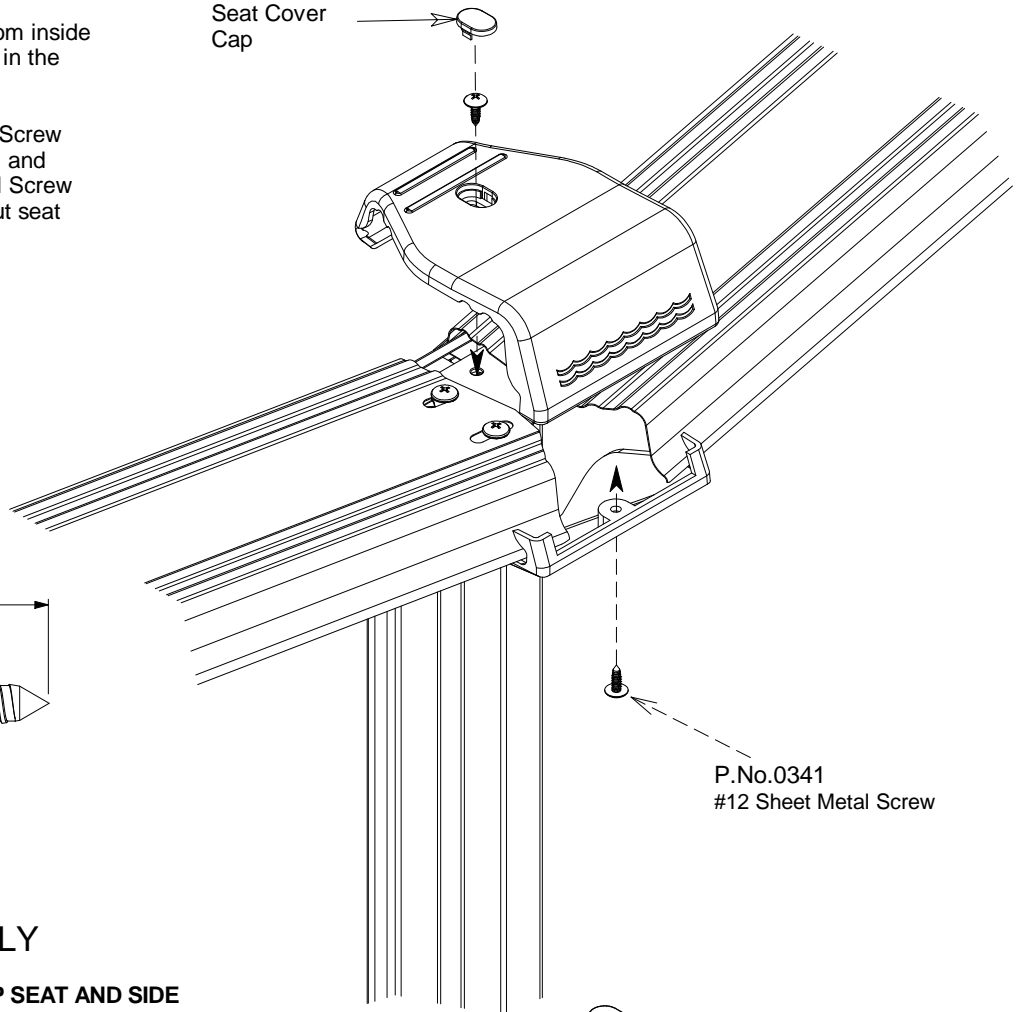


d) INSTALLING SEAT COVERS

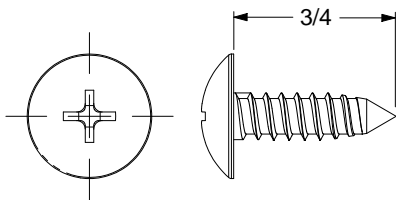
Attach seat cover by placing it from inside of pool in right position as shown in the figure.

put seat cover and cover bracket together, Insert #12 Sheet Metal Screw from cover bracket to seat cover, and tighten it up. put #12 Sheet Metal Screw to seat cover and tighten it up. put seat cover cap on top of cover.

P.No.2402.PP
Seat Cover
Cap



P.No.0341
#12 Sheet Metal Screw



P.No.0341
#12 Sheet Metal Screw

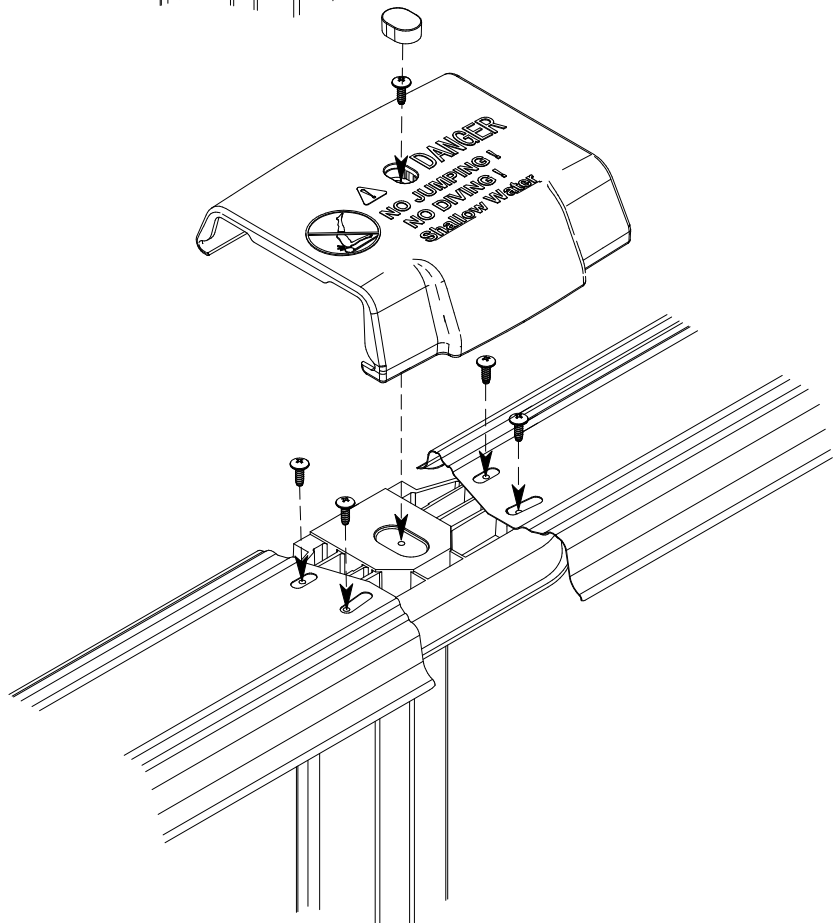
FOR OVAL POOL ONLY

e) INSTALLING OVAL SIDE TOP SEAT AND SIDE SEAT COVERS.

Use #12 Sheet Metal Screw to Install oval side top seats on top of Resin side upper joint P.No.3177.

Cut two prong of inside of side seat cover as shown in the figure, then attach side seat cover by placing it from inside of pool in right position as shown in the figure.

Put #12 Sheet Metal Screw to side seat cover and tighten it up. Put seat cover cap on top of side seat cover.



! DANGER

ALL THESE POOLS ARE DESIGNED FOR SWIMMING ONLY.
THEY MUST NOT BE USED FOR JUMPING OR DIVING.

DO NOT
JUMP

DO NOT
DIVE

PERMANET INJURY OR DEATH CAN RESULT.