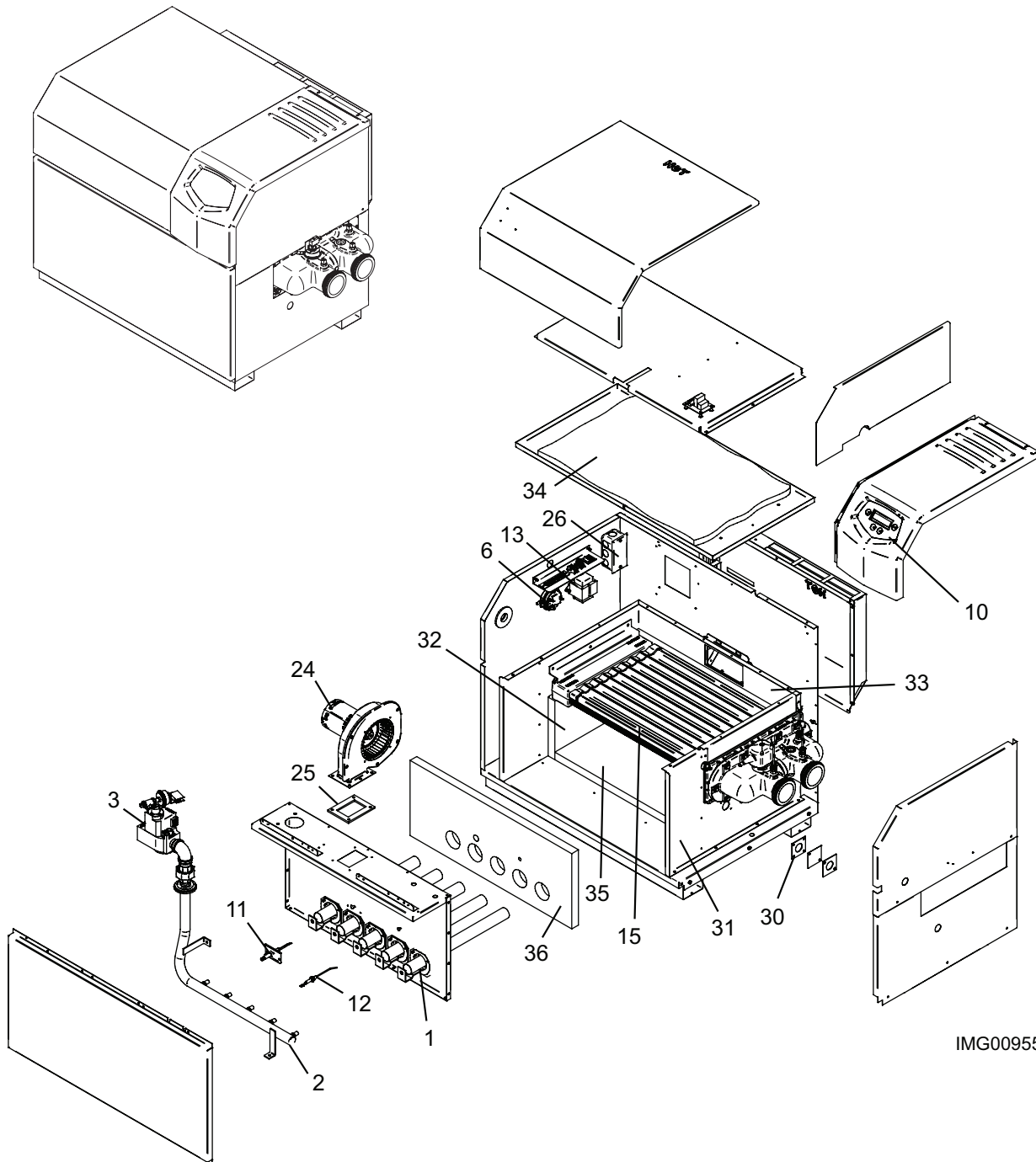




Replacement Parts List

PARTS & SERVICE DEPARTMENT
 Nashville, Tennessee
 877-554-5544 • Fax: 615-882-2918
 parts_team@lochinvar.com
 www.Lochinvar.com

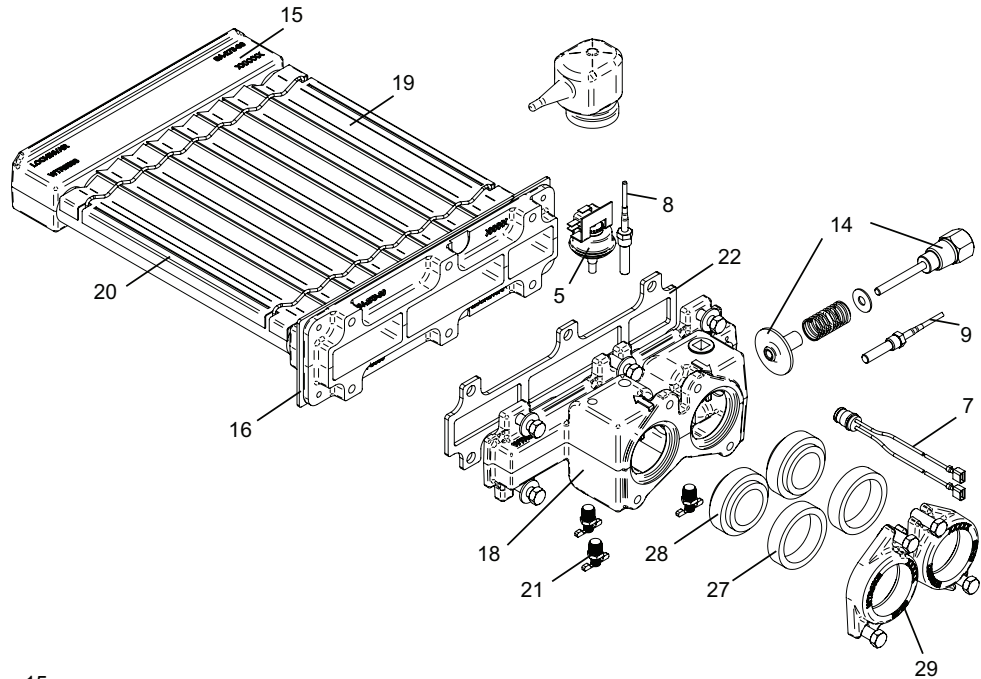
EnergyRite®
Pool & Spa Heater
Residential Pool Heaters
ER(N, L) 152-402



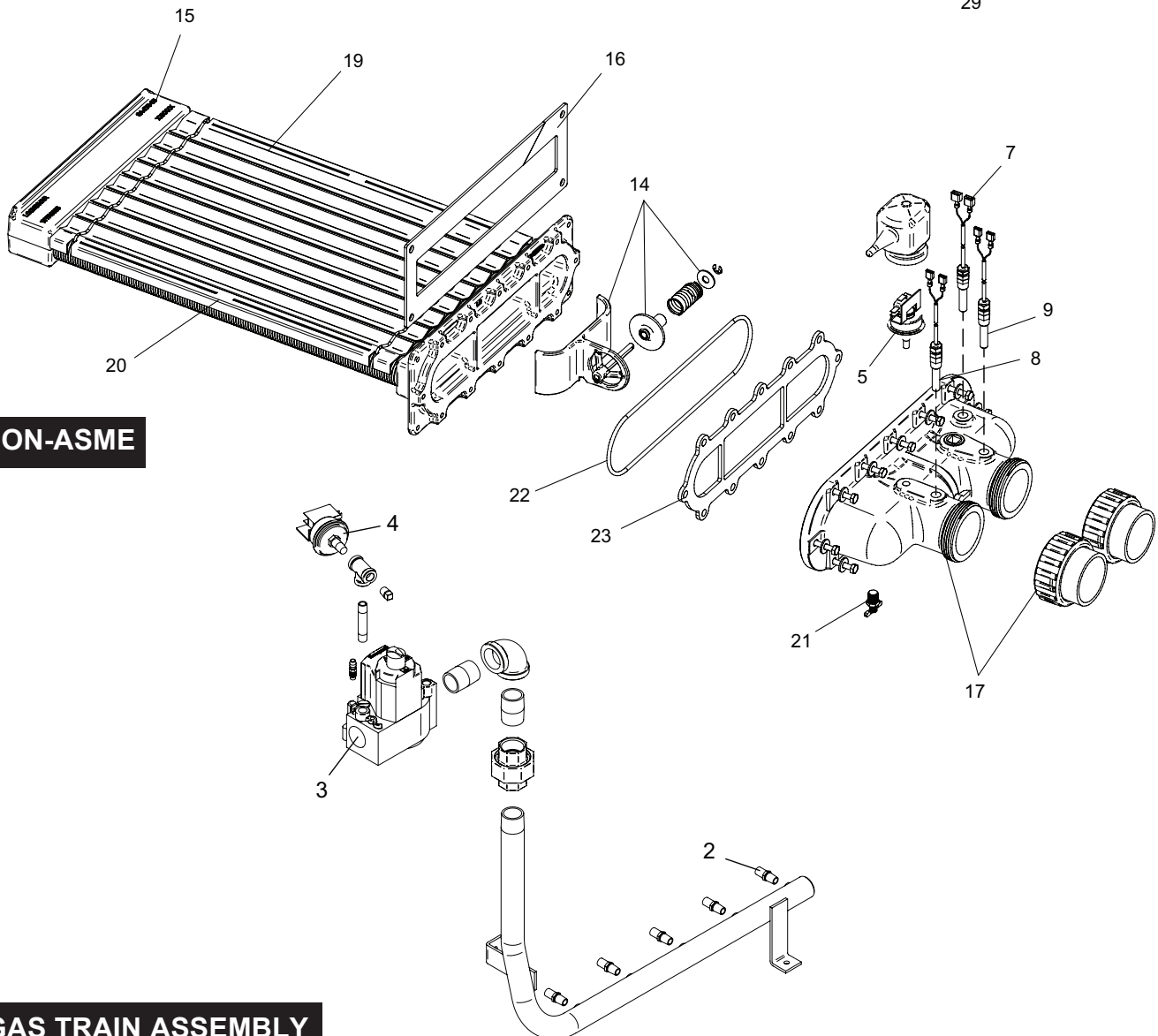
IMG00955

HEAT EXCHANGER ASSEMBLIES

ASME



NON-ASME



GAS TRAIN ASSEMBLY

ITEM NO.	PART NO.	DESCRIPTION	MODEL NO.
BURNERS			
1	100135300 MAIN BURNER	100135300	100135299
		2	1
		3	1
	100135299 MAIN BURNER W/ PRESSURE TAP	4	1
		5	1
		7	1
GAS TRAIN ASSEMBLIES			
2	100208348	ORIFICE, NATURAL	ALL
2	100208345	ORIFICE, LP	ALL
3	100172022	GAS VALVE, NATURAL	ALL
3	100172023	GAS VALVE, LP	ALL
4	100208389	SWITCH, GAS PRESSURE, NATURAL	ER 252 - 402
CONTROLS & GAUGES			
5	100166256*	PRESSURE SWITCH, 1-5 PSI	ALL
6	100166258*	PRESSURE SWITCH, 1.35" WATER COLUMN	ALL
7	100148403*	HIGH LIMIT ASSEMBLY, 175 DEG	ALL ASME
7	100208570*	HIGH LIMIT OVER TEMP	ALL NON-ASME
8	100208553*	INLET SENSOR	ALL
9	100208548*	OUTLET SENSOR	ALL
10	100286274*	SEALED INTEGRATED CONTROL	ALL
11	100165932*	IGNITOR, SPARK	ALL
12	100165921*	FLAME SENSOR	ALL
13	100277852	TRANSFORMER, 120/240V TO 24 V	ALL
14	100163257	BYPASS ASSEMBLY	ER 152 - 302 ASME
14	100163258	BYPASS ASSEMBLY	ALL NON-ASME
14	100163221	BYPASS ASSEMBLY	ER 402 ASME
HEAT EXCHANGERS			
15	100147463	HEAT EXCHANGER, NON-ASME, 150MBH	ER 152
15	100147464	HEAT EXCHANGER, NON-ASME, 200MBH	ER 202
15	100147465	HEAT EXCHANGER, NON-ASME, 250MBH	ER 252
15	100147466	HEAT EXCHANGER, NON-ASME, 300MBH	ER 302
15	100147467	HEAT EXCHANGER, NON-ASME, 400MBH	ER 402
15	100147478	CUPRO NICKEL HEAT EXCHANGER, NON-ASME, 150MBH	ER 152
15	100147479	CUPRO NICKEL HEAT EXCHANGER, NON-ASME, 200MBH	ER 202
15	100147480	CUPRO NICKEL HEAT EXCHANGER, NON-ASME, 250MBH	ER 252
15	100147487	CUPRO NICKEL HEAT EXCHANGER, NON-ASME, 300MBH	ER 302
15	100147488	CUPRO NICKEL HEAT EXCHANGER, NON-ASME, 400MBH	ER 402
15	100147468	HEAT EXCHANGER, ASME, 150MBH	ER 152
15	100147469	HEAT EXCHANGER, ASME, 200MBH	ER 202
15	100147470	HEAT EXCHANGER, ASME, 250MBH	ER 252
15	100147471	HEAT EXCHANGER, ASME, 300MBH	ER 302
15	100147472	HEAT EXCHANGER, ASME, 400MBH	ER 402
15	100147473	CUPRO NICKEL HEAT EXCHANGER, ASME, 150MBH	ER 152
15	100147474	CUPRO NICKEL HEAT EXCHANGER, ASME, 200MBH	ER 202
15	100147475	CUPRO NICKEL HEAT EXCHANGER, ASME, 250MBH	ER 252
15	100147476	CUPRO NICKEL HEAT EXCHANGER, ASME, 300MBH	ER 302
15	100147477	CUPRO NICKEL HEAT EXCHANGER, ASME, 400MBH	ER 402
16	100208106*	GASKET, HEAT SHIELD	ALL ASME
16	100277728*	GASKET, HEAT SHIELD	ALL NON-ASME
17	100173746	HEADER WITH CONNECTION KIT	ALL NON-ASME
-	100173757	HEADER CONNECTION KIT	ALL NON-ASME
18	100294596	FRONT HEADER	ALL ASME
MISCELLANEOUS			
19	100290356	V-BAFFLE (6 PER HEX)	ER 152
19	100290357	V-BAFFLE (6 PER HEX)	ER 202
19	100290358	V-BAFFLE (6 PER HEX)	ER 252
19	100276812	V-BAFFLE (6 PER HEX)	ER 302
19	100290359	V-BAFFLE (6 PER HEX)	ER 402
20	100152226	FRAME RUNNER (2 PER HEX)	ER 152
20	100152227	FRAME RUNNER (2 PER HEX)	ER 202
20	100152228	FRAME RUNNER (2 PER HEX)	ER 252
20	100152229	FRAME RUNNER (2 PER HEX)	ER 302
20	100152230	FRAME RUNNER (2 PER HEX)	ER 402
PLEASE HAVE MODEL AND SERIAL NUMBER WHEN ORDERING PARTS			
*ITEMS DENOTE SUGGESTED INVENTORY PARTS			

ITEM NO.	PART NO.	DESCRIPTION	MODEL NO.
MISCELLANEOUS (CONTINUED)			
21	100233423	DRAIN COCK	ALL
22	100233730*	GASKET, HEADER	ALL ASME
22	100233722*	GASKET, HEADER	ALL NON-ASME
23	100290348*	GASKET, HEADER	ALL NON-ASME
24	100145011	COMBUSTION AIR FAN	ER 152
24	100145012	COMBUSTION AIR FAN	ER 202 - 402
25	100233675*	GASKET, FAN	ALL
26	100288472	ON/OFF SWITCH	ALL
27	100208100	GASKET, FLANGE, 2"	ALL ASME
28	100208754	GASKET, 1-1/2"	ALL ASME
29	100173818	FLANGE	ALL ASME
30	100163259*	SIGHT GLASS KIT	ALL
-	100146604	GASKET STRIP, FIBERGLASS, WHITE	ALL
-	100163202	TUBING, EPDM, 1/4"	ALL
-	100208097	ESCUTCHEON GASKET, 3/4"	ALL
-	100146588	GASKET, PVC - 1/4" X 5/8" BLACK	ALL
-	100146589	GASKET, TAPE, 1/4" X 5/8" X 15' SILICONE SPONGE	ALL
-	100208454	RELIEF VALVE, 3/4", 50 PSI	ALL ASME
-	100208454	RELIEF VALVE, 3/4", 50 PSI	ALL NON-ASME
-	100163209	SILICONE TUBING	ALL
LOCH-HEAT TILE			
31	100145548	INSULATION, FRONT-HEAD SIDE PANEL	ALL
32	100145549	INSULATION, REAR-HEAD SIDE PANEL	ALL
33	100145497	INSULATION, BACK PANEL	ER 152
33	100145501	INSULATION, BACK PANEL	ER 202
33	100145504	INSULATION, BACK PANEL	ER 252
33	100145507	INSULATION, BACK PANEL	ER 302
33	100145510	INSULATION, BACK PANEL	ER 402
34	100145719	INSULATION, TOP	ER 152
34	100145720	INSULATION, TOP	ER 202
34	100145721	INSULATION, TOP	ER 252
34	100145722	INSULATION, TOP	ER 302
34	100145729	INSULATION, TOP	ER 402
35	100145498	INSULATION, BOTTOM PANEL	ER 152
35	100145502	INSULATION, BOTTOM PANEL	ER 202
35	100145505	INSULATION, BOTTOM PANEL	ER 252
35	100145508	INSULATION, BOTTOM PANEL	ER 302
35	100145511	INSULATION, BOTTOM PANEL	ER 402
36	100145499	INSULATION, FRONT PANEL (PRIOR TO SERIAL #A10H00223978)	ER 152
36	100145503	INSULATION, FRONT PANEL (PRIOR TO SERIAL #A10H00223978)	ER 202
36	100145506	INSULATION, FRONT PANEL (PRIOR TO SERIAL #A10H00223978)	ER 252
36	100145509	INSULATION, FRONT PANEL (PRIOR TO SERIAL #A10H00223978)	ER 302
36	100145512	INSULATION, FRONT PANEL (PRIOR TO SERIAL #A10H00223978)	ER 402
36	100145326	INSULATION, FRONT PANEL (BEGINNING SERIAL #A10H00223978)	ER 152
36	100145327	INSULATION, FRONT PANEL (BEGINNING SERIAL #A10H00223978)	ER 202
36	100145332	INSULATION, FRONT PANEL (BEGINNING SERIAL #A10H00223978)	ER 252
36	100145333	INSULATION, FRONT PANEL (BEGINNING SERIAL #A10H00223978)	ER 302
36	100145334	INSULATION, FRONT PANEL (BEGINNING SERIAL #A10H00223978)	ER 402
PLEASE HAVE MODEL AND SERIAL NUMBER WHEN ORDERING PARTS			
*ITEMS DENOTE SUGGESTED INVENTORY PARTS			