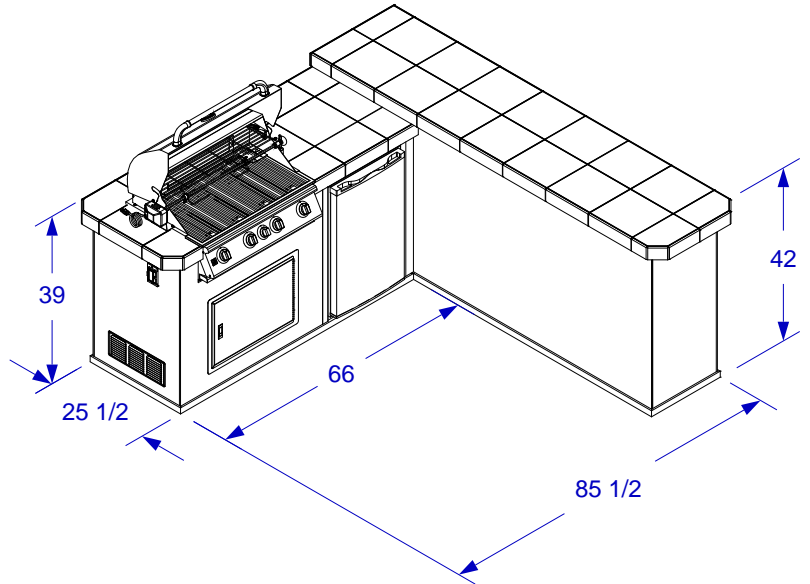


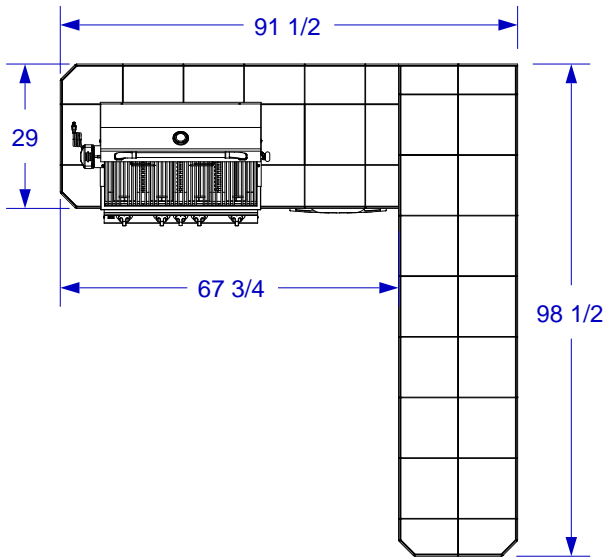


MESQUITE Q ISLAND

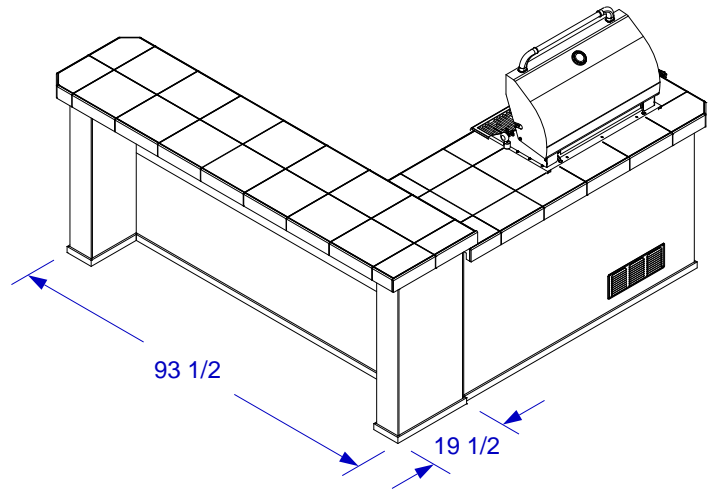
SPEC SHEET



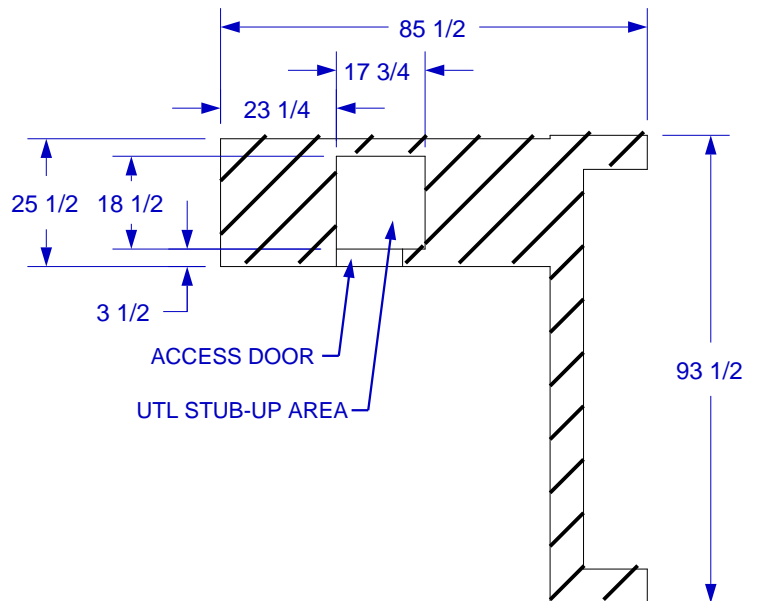
FRONT ISOMETRIC VIEW



TOP VIEW



BACK ISOMETRIC VIEW



STUB-UP DIAGRAM
(SEE NOTE #1)

NOTES:

1. 6" MAX HEIGHT ON ALL STUB-UPS.
2. SHOWN WITH STANDARD 4-BURNER ANGUS GRILL.
3. SCALE: 5/16" = 1'-0"
4. REVISION: 10/2011