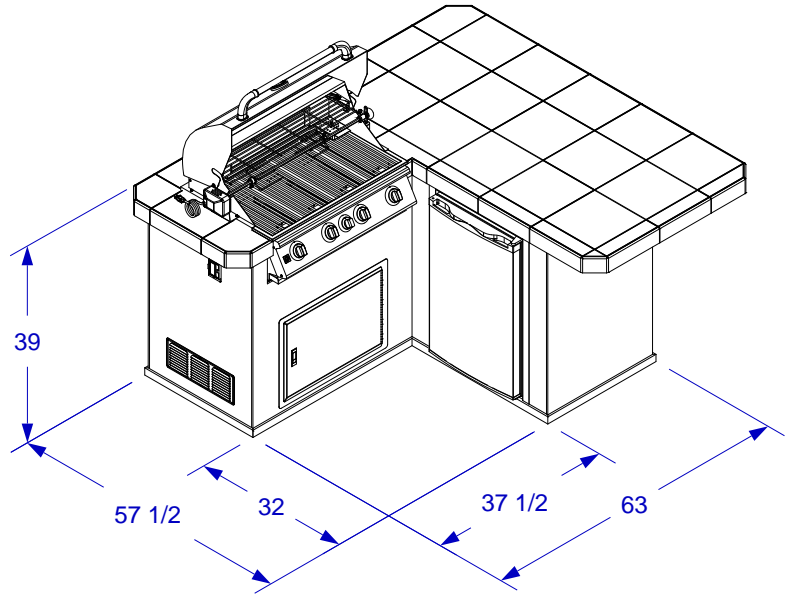


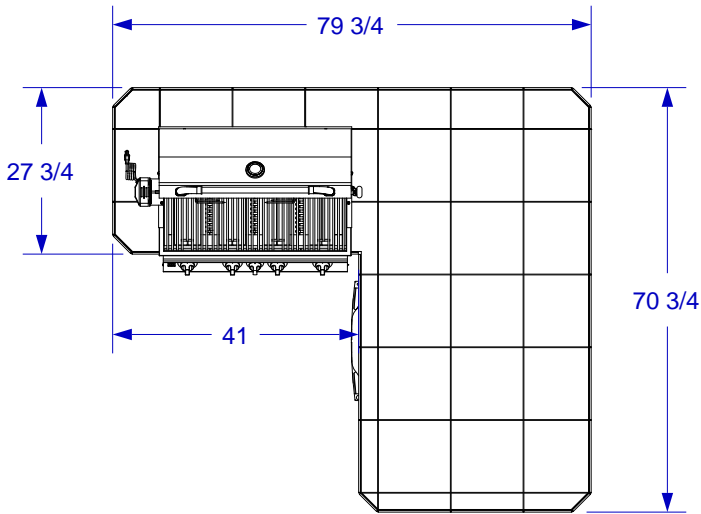


# LITTLE Q ISLAND

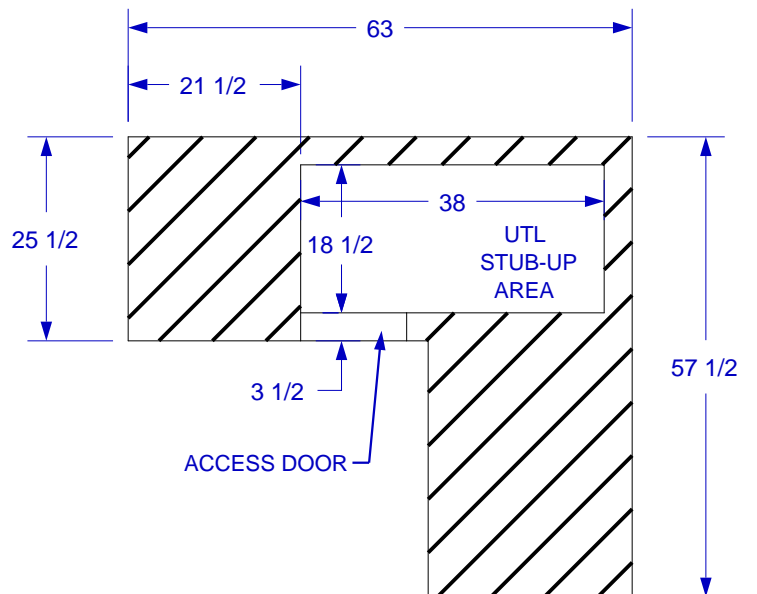
## SPEC SHEET



ISOMETRIC VIEW



TOP VIEW



STUB-UP DIAGRAM  
SCALE 1/2" = 1' 0"  
(SEE NOTE #2)

- NOTES:**
1. 6" MAX HEIGHT ON ALL STUB-UPS.
  2. SHOWN WITH STANDARD 4-BURNER ANGUS GRILL.
  3. SCALE: 3/8" = 1'-0"
  4. REVISION: 08/2010