



Product Specifications - Written

Product Name: aXs Aquatic Lift
Part Number: AXS1000

It shall be battery powered, comply with Americans with Disabilities Act Access Guidelines (ADAAG), and have a lifting capacity of 300 pounds. Product shall include battery, charger, battery console cover, waterproof control, stainless steel anchor socket with cover and spanner key, armrests, foot rest and seat belt assembly.

- a) Manufacturer to provide technical support and assistance to confirm pool lift satisfies pool geometry or if another Model is more appropriate.
- b) Have a LINAK (approved for medical applications) screw/spline type actuator to provide a safe and stable stop at any point in the lifting cycle. Capable of:
 - i) Not only having a stopping point that is a minimum of 16 inches and a maximum of 19 inches measured from the deck to the top of the seat surface when the seat is in the raised position (accessibility guidelines), but also providing additional stopping points at various heights to accommodate users of all ages and abilities.
 - ii) Submerging the seat a minimum of 18" below the surface of the water.
- c) Configured to facilitate ease in user transfer within clear deck space of 36 inches wide by 48 inches deep starting 12 inches from the back end of the seat (Ref. ADAAG).
- d) Have a 24-volt gear motor to power side to side rotation to allow for ample clear deck space for transfer on both sides of the lift.
- e) Seat:
 - i) Width of 23 inches (ADAAG Requires 16 inches).
 - ii) Back that extends 24 inches high (ADAAG Requires 12 inches).
- f) Be structurally capable of providing a stable user transfer and pass a static load test equal to 1.5 times the rated load capacity.
- g) Metallic parts (stainless steel and aluminum) to be passivated, pretreated and powder coated using a 5-step process. The process is to be validated by samples undergoing a 4,000 hour Salt Fog Test (ASTM D1654), by a recognized independent laboratory, and achieve a rating of 10 (highest possible rating). (Note: The test is the equivalent of 10 years exposure to this harsh environment.)
- h) Warranty: For current warranty information go to www.srsmith.com

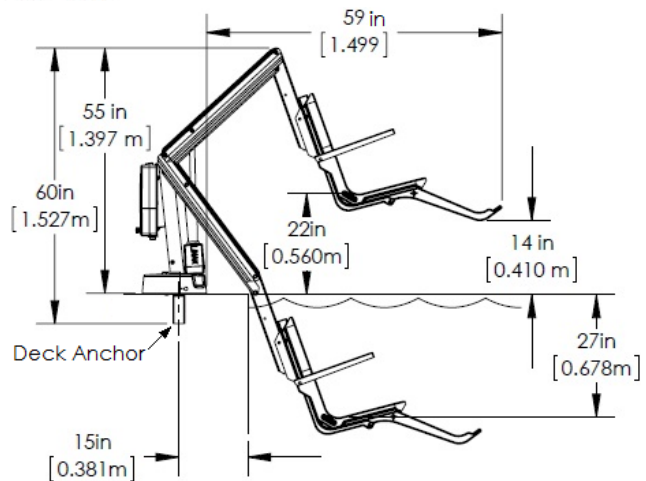
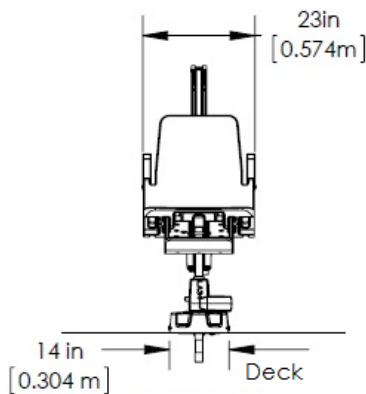
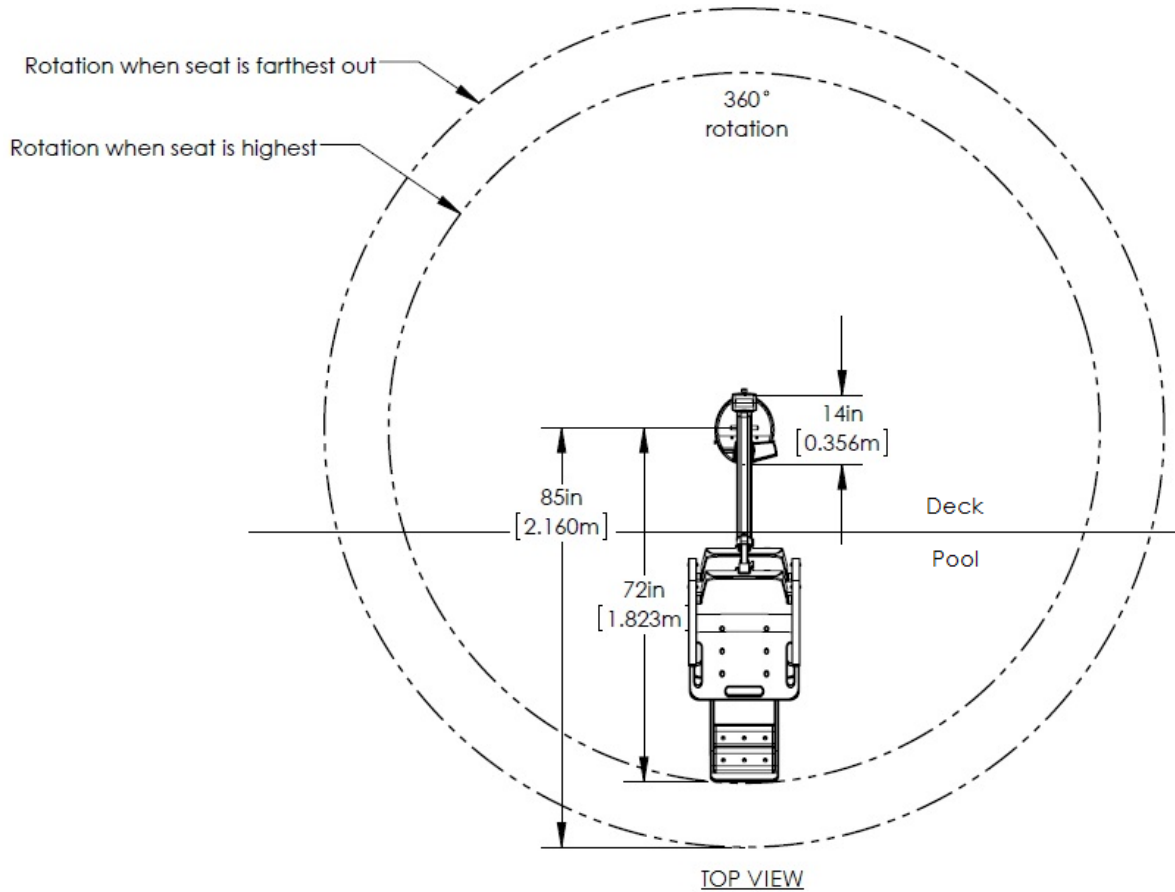
Have the following optional equipment:

Part #	Description	Part #	Description
900-6000	Stability Strap	970-5000	Seat Saver Cover
500-1000	Spine Board Attachment	920-5000	Pool Lift Cover

Specification Number:	1209		S.R.Smith P.O. Box 400, 1017 SW Berg Parkway Canby, Oregon 97013 Tel: (800) 824-4387 (503) 266-2231 Fax: (503) 266-4334 www.srsmith.com
Product Description:	aXs Aquatic Lift		
S.R. Smith Part Number:	AXS1000		
Revision:	B	Date: 07/1/2016	
Written By:	Mikha Kaiel	Date: 2/18/2010	
Approved By:	Daniel Taughinbaugh	Date: 07/1/2016	
Page 1 of 2	Proprietary and confidential: The information contained in this specification is the sole property of S.R. Smith LLC. Any reproduction in part or whole without the written consent of S.R. Smith LLC is prohibited.		



Product Specifications - Drawing



Specification Number:	1209	
Product Description:	aXs Pool Lift	
S.R. Smith Part Number:	AXS1000	
Revision:	B	Date: 07/1/2016
Written By:	Mikha Kaiel	Date: 2/18/2010
Approved By:	Daniel Taughinbaugh	Date: 07/1/2016
Page 2 of 2	Proprietary and confidential: The information contained in this specification is the sole property of S.R. Smith LLC. Any reproduction in part or whole without the written consent of S.R. Smith LLC is prohibited.	

S.R. Smith
P.O. Box 400, 1017 SW Berg Parkway
Canby, Oregon 97013
Tel: (800) 824-4387 (503) 266-2231
Fax: (503) 166 4334
www.srsmith.com