

## 8" Anti-Entrapment Suction Outlet Cover, Vented Riser Ring and Mud Frame

### VGB Series

The AquaStar line of suction outlet covers, compliant with the new Virginia Graeme-Baker Pool and Spa Safety Act (ANSI/APSP 16-2011 AND NSF 50-2008)

#### Features

For single or multiple drain use  
(see installation instructions)

Single - 3" sump depth:  
Floor: 88 GPM at 2.0 fps  
Wall: 70 GPM at 1.6 fps

Floor/wall: 66.4 GPM at 1.5 fps  
14.2 square inch opening

Additional sump and frame versions  
also available

#316 stainless steel screws

Manufactured from superior  
UV-resistant engineered polymers

Meets or exceeds ANSI/APSP 16-2011  
AND NSF 50-2008 national standards  
and ASTM G154 UV testing

Listed with IAPMO R&T

24 per case

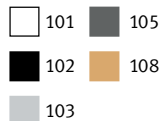


\*Fits: AquaStar (all Pre-VGB 8" Models), American, Pentair, Color Match, Waterway and most Custom Molded (CMP)

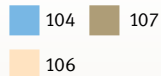
Part # 8AVWRxxx

8" Round Vented Riser Ring also sold separately  
Part # 8RRxxx

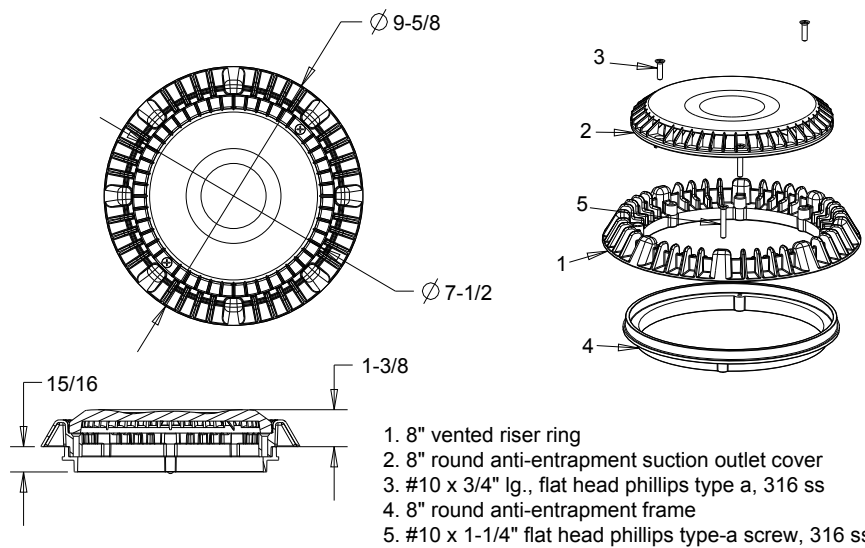
#### STANDARD COLORS



#### OPTIONAL COLORS



VGB 2008 Compliant

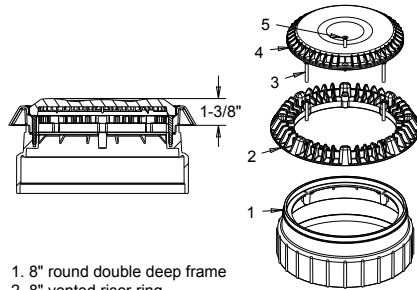


# ADDITIONAL PRODUCT CONFIGURATIONS FOR 8AVWRxxx

## Double-Deep Sump



Part #  
8AVWRxxxA  
4 per case

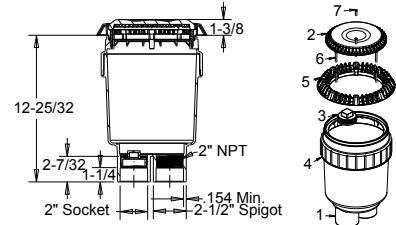


1. 8" round double deep frame
2. 8" vented riser ring
3. #10 x 1-1/2" flat head phillips type-a screw, 316 ss
4. 8" anti-entrapment suction outlet cover

## Dual-Port 2 1/2" Spigot x 2" Socket Deep PVC Sump



Part #  
8AVWRxxxB  
4 per case

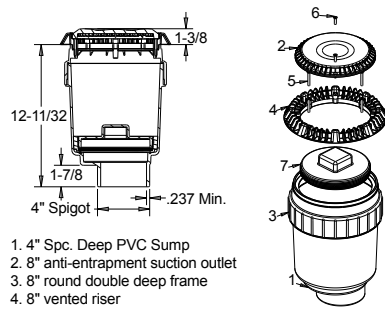


1. Dual port 2-1/2" spigot x 2" socket deep PVC sump
2. 8" anti-entrapment suction outlet cover
3. 2" tapered pipe thread plug
4. 8" round double deep frame
5. 8" vented riser ring
6. #10 x 1-1/2" flat head phillips type-a screw, 316 ss
7. #10 x 3/4" lg flat head phillips screw, 316 ss

## 4" Spigot Deep PVC Sump



Part #  
8AVWRxxxC  
4 per case

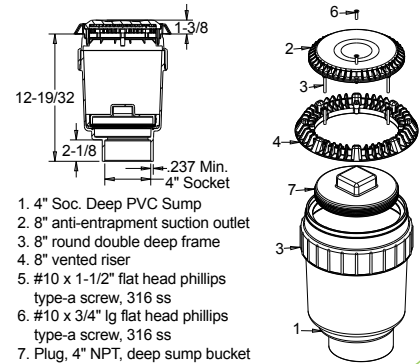


1. 4" Spc. Deep PVC Sump
2. 8" anti-entrapment suction outlet
3. 8" round double deep frame
4. 8" vented riser
5. #10 x 1-1/2" flat head phillips type-a screw, 316 ss
6. #10 x 3/4" lg flat head phillips type-a screw, 316 ss
7. Plug, 4" NPT, deep sump bucket

## 4" Socket Deep PVC Sump



Part #  
8AVWRxxxD  
4 per case

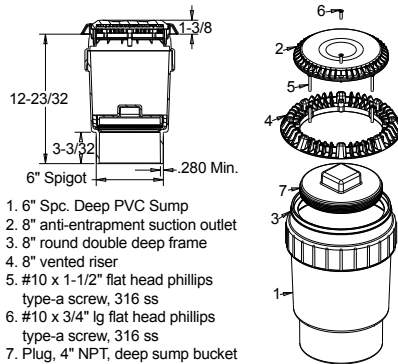


1. 4" Soc. Deep PVC Sump
2. 8" anti-entrapment suction outlet
3. 8" round double deep frame
4. 8" vented riser
5. #10 x 1-1/2" flat head phillips type-a screw, 316 ss
6. #10 x 3/4" lg flat head phillips type-a screw, 316 ss
7. Plug, 4" NPT, deep sump bucket

## 6" Spigot Deep PVC Sump



Part #  
8AVWRxxxE  
4 per case

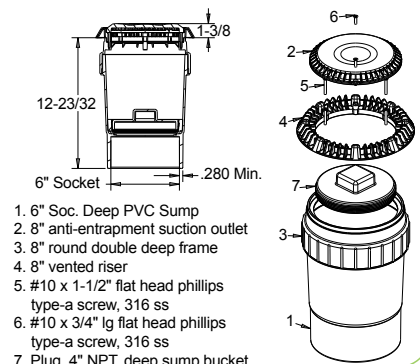


1. 6" Spc. Deep PVC Sump
2. 8" anti-entrapment suction outlet
3. 8" round double deep frame
4. 8" vented riser
5. #10 x 1-1/2" flat head phillips type-a screw, 316 ss
6. #10 x 3/4" lg flat head phillips type-a screw, 316 ss
7. Plug, 4" NPT, deep sump bucket

## 6" Socket Deep PVC Sump



Part #  
8AVWRxxxF  
4 per case

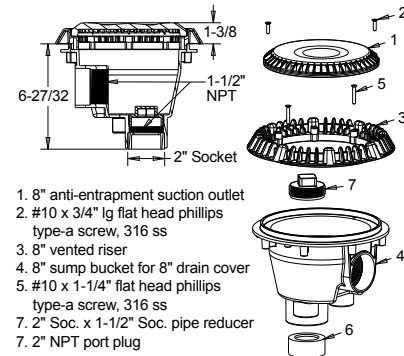


1. 6" Soc. Deep PVC Sump
2. 8" anti-entrapment suction outlet
3. 8" round double deep frame
4. 8" vented riser
5. #10 x 1-1/2" flat head phillips type-a screw, 316 ss
6. #10 x 3/4" lg flat head phillips type-a screw, 316 ss
7. Plug, 4" NPT, deep sump bucket

## 8" Standard Sump



Part #  
8SBWRxxx  
8 per case

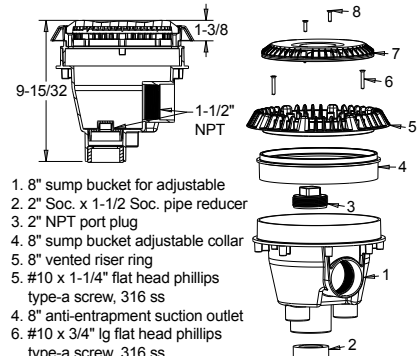


1. 8" anti-entrapment suction outlet
2. #10 x 3/4" lg flat head phillips type-a screw, 316 ss
3. 8" vented riser
4. 8" sump bucket for 8" drain cover
5. #10 x 1-1/4" flat head phillips type-a screw, 316 ss
7. 2" Soc. x 1-1/2" Soc. pipe reducer
7. 2" NPT port plug

## 8" Standard Sump with Adjustable Collar



Part #  
8SBACWRxxx  
8 per case



1. 8" sump bucket for adjustable
2. 2" Soc. x 1-1/2" Soc. pipe reducer
3. 2" NPT port plug
4. 8" sump bucket adjustable collar
5. 8" vented riser ring
5. #10 x 1-1/4" flat head phillips type-a screw, 316 ss
4. 8" anti-entrapment suction outlet
6. #10 x 3/4" lg flat head phillips type-a screw, 316 ss