

8" Low-Profile Anti-Entrapment Suction Outlet Cover, Vented Riser Ring and Mud Frame

VGB Series

The AquaStar line of suction outlet covers, compliant with the new Virginia Graeme-Baker Pool and Spa Safety Act (ANSI/APSP 16-2011 AND NSF 50-2008)

Features

For single or multiple drain use (see installation instructions)

Single – 3" sump depth:
Floor: 100 GPM at 2.0 fps
Wall: 70 GPM at 1.7 fps

Floor/wall:
61.2 GPM at 1.5 fps

13.1 square inch opening

Additional sump versions also available

#316 stainless steel screws

Manufactured from superior UV-resistant engineered polymers

Meets or exceeds ANSI/APSP 16-2011 AND NSF 50-2008 national standards and ASTM G154 UV testing

Listed with IAPMO R&T

24 per case

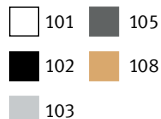


*Fits: AquaStar (all Pre-VGB 8" Models), American, Pentair, Color Match, Waterway and most Custom Molded (CMP)

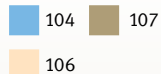
Part # LP8AVWRxxx

8" Round Vented Riser Ring also sold separately
Part # 8RRxxx

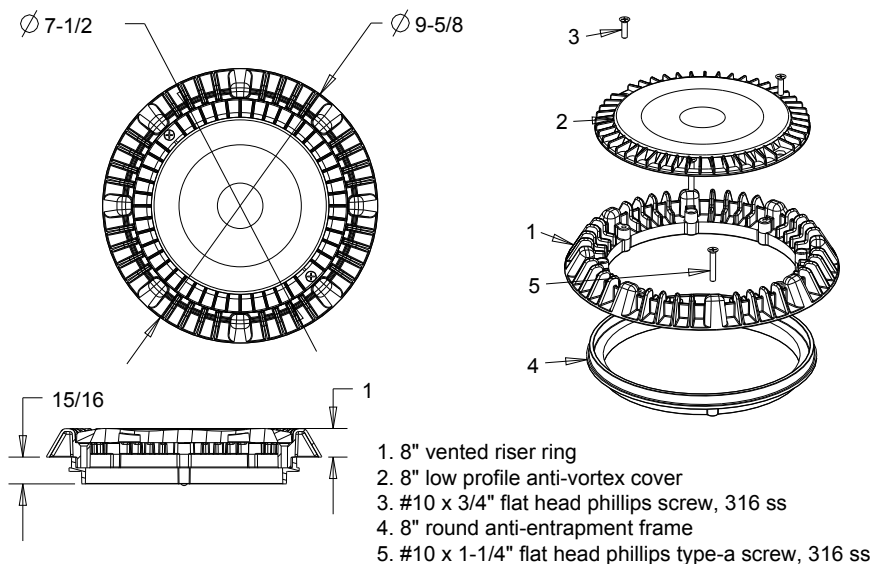
STANDARD COLORS



OPTIONAL COLORS

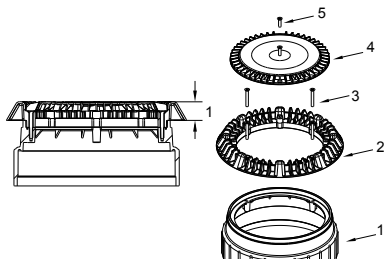


VGB 2008 Compliant



ADDITIONAL PRODUCT CONFIGURATIONS FOR LP8AVWRxxx

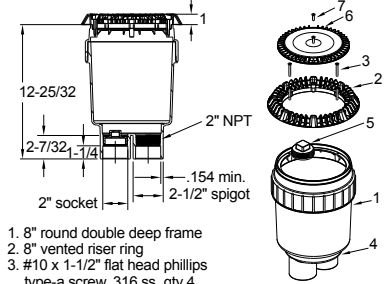
Double-Deep Sump



1. 8" round double deep frame
2. 8" vented riser ring
3. #10 x 1-1/2" flat head phillips type-a screw, 316 ss, qty 4
4. 8" low profile anti-entrapment suction outlet
5. #10 x 3/4" lg flat head phillips screw, 316 ss, qty 2

Part #
LP8AVWRxxxA
4 per case

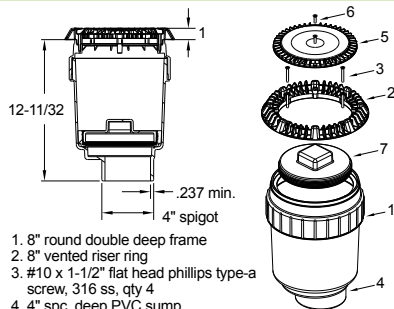
Dual-Port 2 1/2" Spigot x 2" Socket Deep PVC Sump



1. 8" round double deep frame
2. 8" vented riser ring
3. #10 x 1-1/2" flat head phillips type-a screw, 316 ss, qty 4
4. dual port 2-1/2" spigot x 2" socket deep PVC sump
5. 2-2" tapered pipe thread plug
6. 8" low profile anti-entrapment suction outlet
7. #10 x 3/4" lg flat head phillips screw, 316 ss, qty 2

Part #
8AVWRxxxB
4 per case

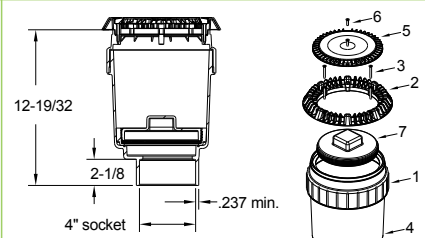
4" Spigot Deep PVC Sump



1. 8" round double deep frame
2. 8" vented riser ring
3. #10 x 1-1/2" flat head phillips type-a screw, 316 ss, qty 4
4. 4" spc. deep PVC sump
5. 8" low profile anti-entrapment suction outlet
6. #10 x 3/4" flat head phillips screw, 316 ss, qty 2
7. 4" NPT plug, deep sump bucket

Part #
LP8AVWRxxxC
4 per case

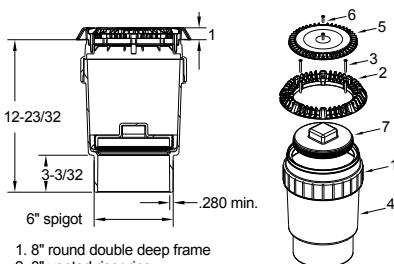
4" Socket Deep PVC Sump



1. 8" round double deep frame
2. 8" vented riser ring
3. #10 x 1-1/2" flat head phillips type-a screw, 316 ss, qty 4
4. 4" socket deep PVC sump
5. 8" low profile anti-entrapment suction outlet
6. #10 x 3/4" flat head phillips screw, 316 ss, qty 2
7. 4" NPT plug, deep sump bucket

Part #
LP8AVWRxxxD
4 per case

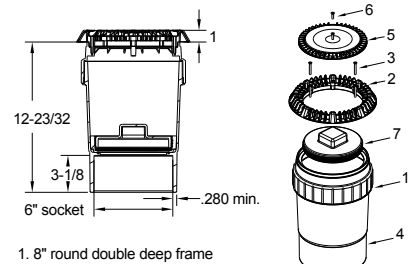
6" Spigot Deep PVC Sump



1. 8" round double deep frame
2. 8" vented riser ring
3. #10 x 1-1/2" flat head phillips type-a screw, 316 ss, qty 4
4. 6" spigot deep PVC sump
5. 8" low profile anti-entrapment suction outlet
6. #10 x 3/4" flat head phillips screw, 316 ss, qty 2
7. 4" NPT plug, deep sump bucket

Part #
LP8AVWRxxxE
4 per case

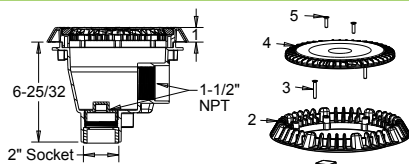
6" Socket Deep PVC Sump



1. 8" round double deep frame
2. 8" vented riser ring
3. #10 x 1-1/2" flat head phillips type-a screw, 316 ss, qty 4
4. 6" soc. deep PVC sump
5. 8" low profile anti-entrapment suction outlet
6. #10 x 3/4" flat head phillips screw, 316 ss, qty 2
7. 4" NPT plug, deep sump bucket

Part #
LP8AVWRxxxF
4 per case

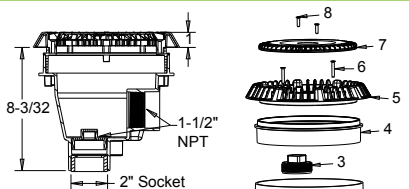
8" Standard Sump



1. 8" sump bucket for 8" drain cover
2. 8" vented riser ring
3. #10 x 1-1/4" flat head phillips type-a screw, 316 ss
4. 8" low profile anti-entrapment suction outlet
5. #10 x 3/4" lg flat head phillips screw, 316 ss
6. 2" Soc. x 1-1/2" Soc. pipe reducer
7. 2" NPT plug

Part #
LP8SBWRxxx
8 per case

8" Standard Sump with Adjustable Collar



1. 8" sump bucket for adjustable collar
2. 2" Soc. x 1-1/2" Soc. pipe reducer
3. 2" NPT port plug
4. 8" sump bucket for adjustable collar
5. 8" vented riser ring
6. #10 x 1-1/4" flat head phillips type-a screw, 316 ss
7. 8" low profile anti-entrapment suction outlet
8. #10 x 3/4" lg flat head phillips screw, 316 ss

Part #
LP8SBACWRxxx
8 per case