

8" ROUND LOW-PROFILE ANTI-ENTRAPMENT SUCTION OUTLET COVER, VENTED RISER RING AND MUD FRAME

VGB Series

The AquaStar line of suction outlet covers, compliant with the Virginia Graeme-Baker Pool and Spa Safety Act (ANSI/APSP 16-2011 and NSF/ANSI 50-2009a)

FEATURES

For single or multiple drain use
3" minimum sump depth
(see installation instructions)

Single –

Floor: 100 GPM at 2.0 fps
Wall: 70 GPM at 1.7 fps

Floor/wall: 61.2 GPM at 1.5 fps
Floor/wall: 40.8 GPM at 1.0 fps

13.1 square inch opening

Additional sump versions
also available

#316 stainless steel screws

Manufactured from superior
UV-resistant engineered polymers

Meets or exceeds ANSI/APSP 16-2011 and
NSF/ANSI 50-2009a national standards
and ASTM G154 UV testing

Replace every five years from the date
of installation

24 per case



U.S. patent D663388

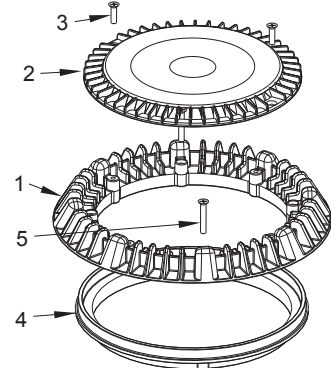
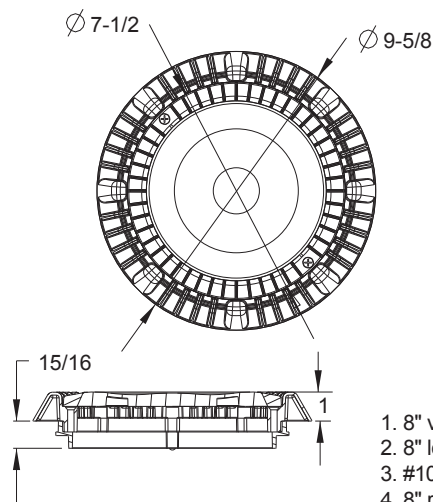
Part # LP8AVWRxxx

Fits: AquaStar (all standard 8" models), American, Pentair,
Color Match, Waterway and most Custom Molded (CMP)

STANDARD COLORS

- LP8AVW101 – White
- LP8AVW102 – Black
- LP8AVW103 – Light Gray
- LP8AVW104 – Blue
- LP8AVW105 – Dark Gray
- LP8AVW108 – Tan

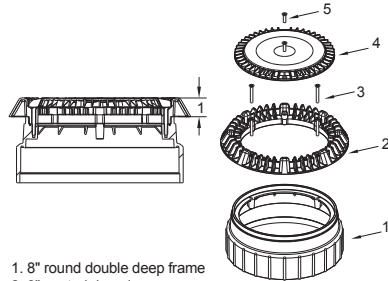
VGB 2008 Compliant



1. 8" vented riser ring
2. 8" low profile anti-vortex cover
3. #10 x 3/4" flat head Phillips screw, 316 ss, qty 2
4. 8" round anti-entrapment frame
5. #10 x 1-1/4" flat head Phillips Type A screw, 316 ss, qty 2

ADDITIONAL PRODUCT CONFIGURATIONS FOR LP8AVWRXXX

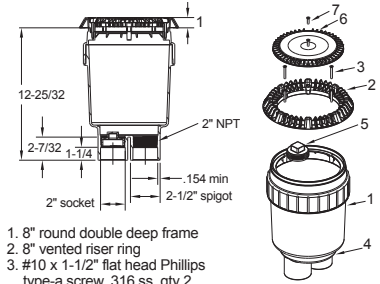
Double-Deep Sump



1. 8" round double deep frame
2. 8" vented riser ring
3. #10 x 1-1/2" flat head Phillips type-a screw, 316 ss, qty 2
4. 8" low-profile anti-entrapment suction outlet
5. #10 x 3/4" lg flat head Phillips screw, 316 ss, qty 2

Part #
LP8AVWRxxxA
4 per case

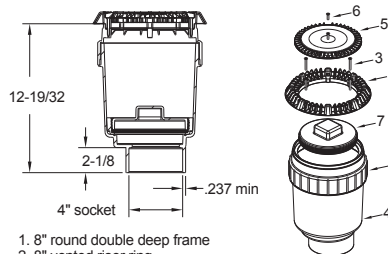
Dual-Port 2 1/2" Spigot x 2" Socket Deep PVC Sump



1. 8" round double deep frame
2. 8" vented riser ring
3. #10 x 1-1/2" flat head Phillips type-a screw, 316 ss, qty 2
4. Dual port 2-1/2" spigot x 2" socket deep PVC sump
5. 2-2" tapered pipe thread plug
6. 8" low profile anti-entrapment suction outlet
7. #10 x 3/4" lg flat head Phillips screw, 316 ss, qty 2

Part #
LP8AVWRxxxB
4 per case

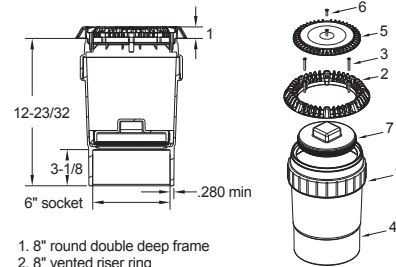
4" Socket Deep PVC Sump



1. 8" round double deep frame
2. 8" vented riser ring
3. #10 x 1-1/2" flat head Phillips type-a screw, 316 ss, qty 2
4. 4" socket deep PVC sump
5. 8" low-profile anti-entrapment suction outlet
6. #10 x 3/4" flat head Phillips screw, 316 ss, qty 2
7. 6" NPT plug

Part #
LP8AVWRxxxD
4 per case

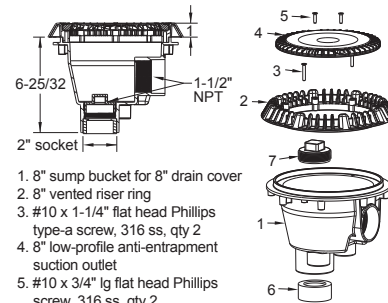
6" Socket Deep PVC Sump



1. 8" round double deep frame
2. 8" vented riser ring
3. #10 x 1-1/2" flat head Phillips type-a screw, 316 ss, qty 2
4. 6" socket deep PVC sump
5. 8" low-profile anti-entrapment suction outlet
6. #10 x 3/4" flat head Phillips screw, 316 ss, qty 2
7. 6" NPT plug

Part #
LP8AVWRxxxF
4 per case

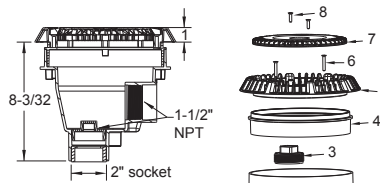
Standard ABS Sump with 1 1/2" NPT and 2" Socket



1. 8" sump bucket for 8" drain cover
2. 8" vented riser ring
3. #10 x 1-1/4" flat head Phillips type-a screw, 316 ss, qty 2
4. 8" low-profile anti-entrapment suction outlet
5. #10 x 3/4" lg flat head Phillips screw, 316 ss, qty 2
6. 2" socket x 1-1/2" socket pipe reducer
7. 2" NPT plug

Part #
LP8SBWRxxx
8 per case

Standard ABS Sump with Adjustable Collar, 1 1/2" NPT, 2" Socket



1. 8" sump bucket for adjustable collar
2. 2" socket x 1-1/2" socket pipe reducer
3. 2" NPT port plug
4. 8" sump bucket for adjustable collar
5. 8" vented riser ring
6. #10 x 1-1/4" flat head Phillips type-a screw, 316 ss, qty 2
7. 8" low-profile anti-entrapment suction outlet
8. #10 x 3/4" lg flat head Phillips screw, 316 ss, qty 2

Part #
LP8SBACWRxxx
8 per case