

8" Hockey Puck Sumpless Suction Outlet Cover and Mud Frame

VGB Series

The AquaStar line of suction outlet covers, compliant with the new Virginia Graeme-Baker Pool and Spa Safety Act (ANSI/APSP 16-2011 and NSF 50-2008)

Features

For single or multiple drain use in concrete or tile pools and spas (see installation instructions)

Single – Sumpless
Floor/wall: 224 GPM at 6.3 fps
Floor/wall: 74.3 GPM at 1.5 fps

Floor (1.5" Pipe): 177 GPM at 5.9 fps
Wall (1.5" Pipe): 122 GPM at 3.4 fps

15.8 square inch opening

Additional sump versions also available

#316 stainless steel screws

Manufactured from superior UV-resistant engineered polymers

Easily and safely retrofits most brands' existing 8" frames and sumps that R8HPxxx does not fit*

Patent-pending technology

Meets or exceeds ANSI/APSP 16-2011 and NSF 50-2008 national standards and ASTM G154 UV testing

Listed with IAPMO R&T

Trademarked VGB compliance button easily identifies VGB 2008 compliant cover from on deck and underwater

32 per case

NEW






Ideal for fiberglass and all sumpless configurations.






Part # 8HPxxx

*Fits: AquaStar (All Pre-VGB 8" Models), American, Pentair, Color Match, Waterway and most Custom Molded (CMP) – at least two mud frame screws must be used to secure cover

STANDARD COLORS

	101		105
	102		108
	103		

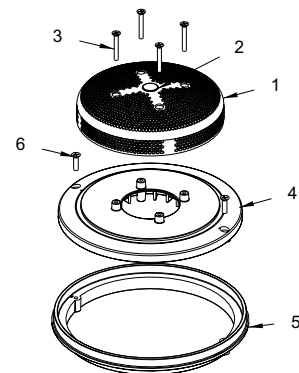
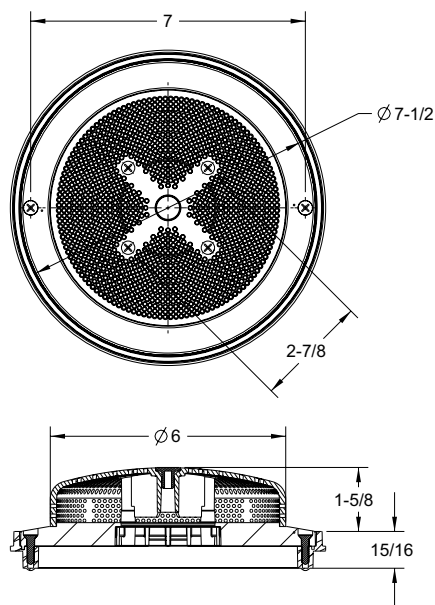
OPTIONAL COLORS

	104		107
	106		

Also available with Retrofit Skimmer Equalizer Kit p/n 8HPMHxxx

Also available with Standard Sump for Vinyl/Fiberglass p/n 8HPSBVxxx

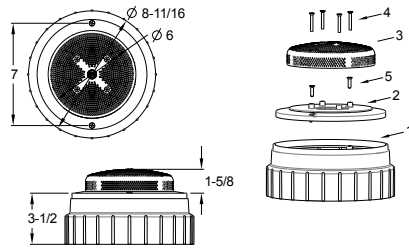
VGB 2008 Compliant



1. 6" round suction outlet cover
2. VGB 2008 "color code" swimming man
3. #8-32 x 1.25" flat head phillips screw, 316 ss, qty 4
4. 8" round adapter plate
5. 8" round frame
6. #10 x 3/4" flat head phillips screw, 316 ss, qty 2

ADDITIONAL PRODUCT CONFIGURATIONS FOR 8HPxxx

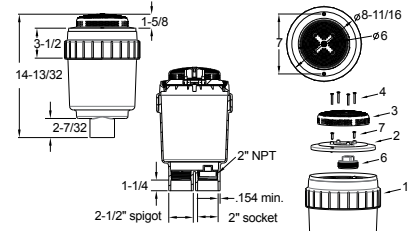
Double-Deep Sump



Part #
8HPxxxA
4 per case

1. 8" round double deep frame
2. 8" round adapter plate
3. 6" round suction outlet cover
4. #8-32 x 1-1/4" flat head phillips screw, 316 ss, qty 4
5. #10 x 3/4" flat head phillips type-a screw, 316 ss, qty 2

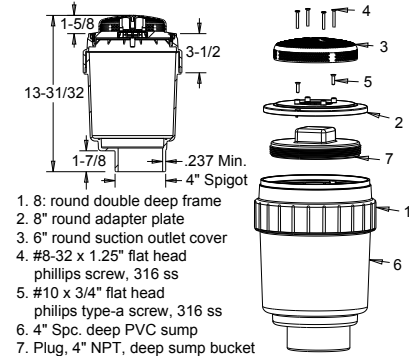
Dual-Port 2 1/2" Spigot x 2" Socket Deep PVC Sump



Part #
8HPxxxB
4 per case

1. 8" round double deep frame
2. 8" round adapter plate
3. 6" round suction outlet cover
4. #8-32 x 1-1/4" flat head phillips screw, 316 ss, qty 4
5. dual-port 2-1/2" spigot x 2" socket deep PVC sump
6. 2-plug 2" tapered pipe thread plug
7. #10 x 3/4" flat head phillips type-a screw, 316 ss, qty 2

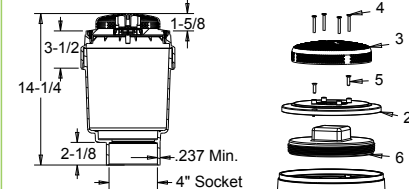
4" Spigot Deep PVC Sump



Part #
8HPxxxC
4 per case

1. 8" round double deep frame
2. 8" round adapter plate
3. 6" round suction outlet cover
4. #8-32 x 1.25" flat head phillips screw, 316 ss
5. #10 x 3/4" flat head phillips type-a screw, 316 ss
6. 4" Spc. deep PVC sump
7. Plug, 4" NPT, deep sump bucket

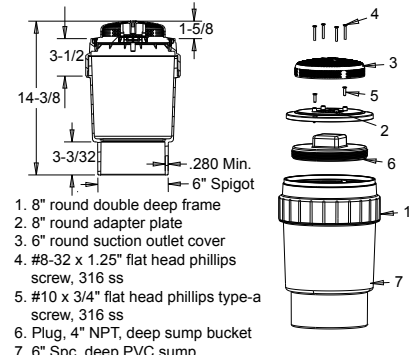
4" Socket Deep PVC Sump



Part #
8HPxxxD
4 per case

1. 4" Soc. deep PVC sump
2. Plug, 4" NPT, deep sump bucket
3. #10 x 3/4" flat head phillips type-a screw, 316 ss
4. #8-32 x 1.25" flat head phillips screw, 316 ss
5. 6" round suction outlet cover
6. 8" round adapter plate
7. 8" round double deep frame

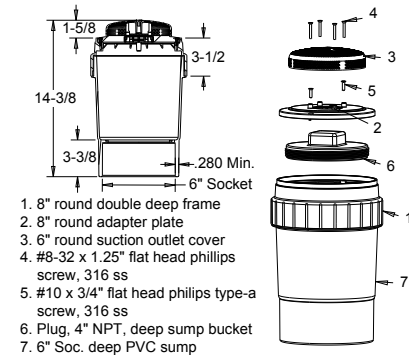
6" Spigot Deep PVC Sump



Part #
8HPxxxE
4 per case

1. 8" round double deep frame
2. 8" round adapter plate
3. 6" round suction outlet cover
4. #8-32 x 1.25" flat head phillips screw, 316 ss
5. #10 x 3/4" flat head phillips type-a screw, 316 ss
6. Plug, 4" NPT, deep sump bucket
7. 6" Spc. deep PVC sump

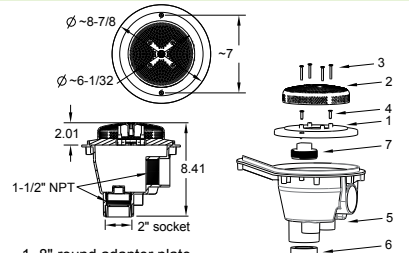
6" Socket Deep PVC Sump



Part #
8HPxxxF
4 per case

1. 8" round double deep frame
2. 8" round adapter plate
3. 6" round suction outlet cover
4. #8-32 x 1.25" flat head phillips screw, 316 ss
5. #10 x 3/4" flat head phillips type-a screw, 316 ss
6. Plug, 4" NPT, deep sump bucket
7. 6" Soc. deep PVC sump

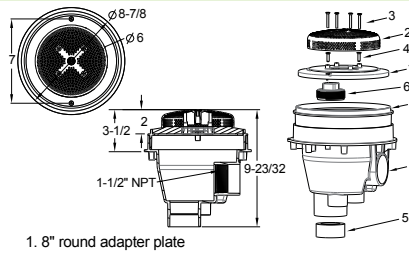
8" Standard Sump



Part #
8HPSBxxx
8 per case

1. 8" round adapter plate
2. 6" round suction outlet cover
3. #8-32 x 1.25" flat head phillips screw, 316 ss, qty 4
4. #10 x 3/4" flat head phillips type-a screw, 316 ss, qty 2
5. 8" sump bucket for 8" drain cover
6. 2" soc. x 1-1/2" socket pipe reducer
7. 2" NPT port plug

8" Standard Sump with Adjustable Collar



Part #
8HPSBACxxx
8 per case

1. 8" round adapter plate
2. 6" round suction outlet cover
3. #8-32 x 1-1/4" flat head phillips screw, 316 ss 4
4. #10 x 3/4" flat head phillips type-a screw, 316 ss 2
5. 2" socket x 1-1/2" socket pipe reducer
6. 2" NPT port plug
7. 8" sump bucket adjustable collar
8. 8" sump bucket for adjustable collar