

T7™ DIVING SYSTEM:



Part # T7 DB (7' T7 Diving Board)
 Part # T7-NBASE (T7 Base & Jig)
 Part # T7-NSPRING (T7 Springs)

NOTE: Must order 3 parts for a complete T7 Diving System.

FEATURES:

- Unique 7' Diving Board Can Be Installed on Type I and Larger Diving Pools
- Optional 10.25" Board Fall Waterfall Available - Runs on as Little as 450 GPH (7.5 GPM) – *Sold Separately*
- 2 Optional Lighting Features Available - LED or Fiber Optic – *Sold Separately*
- Advanced Composite Materials
- Weight Limit = 300 lbs.
- Variety of Earth Tones & Gray Colors Available
- Multiple Patents Pending
- Suitable for Use With Salt Systems
- *Matching Products:* BYOS & Pool/Spa Table

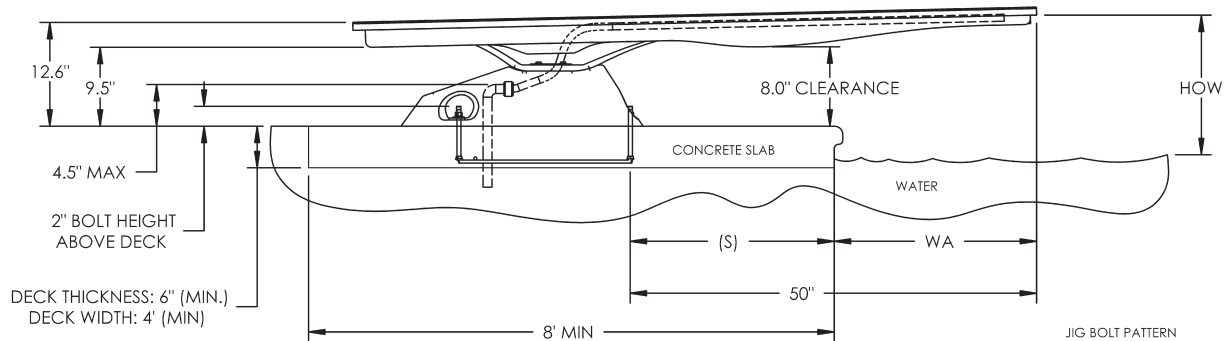
T7 STANDARD COLORS:

Tan: -51; Gray: -52; and Summit Gray: -53

T7 CUSTOM COLORS:

Mont Blanc: -54; Pebble: -55; Fashion Gray: -56; and Cappuccino: -57

(add custom color code behind board/base part #)

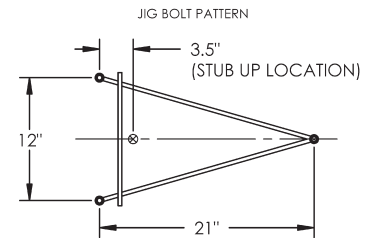
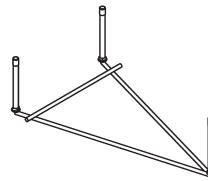


Concrete Minimums:
 8' Long x 4' Wide x 6" Deep

**INTER-FAB CANNOT
 GUARANTEE CUSTOMER'S
 CONCRETE OR THICKNESS**

Optional Waterfalls:

- Board Fall (basic);
- Board Fall-F (fiber optic);
- Board Fall-L (LED)



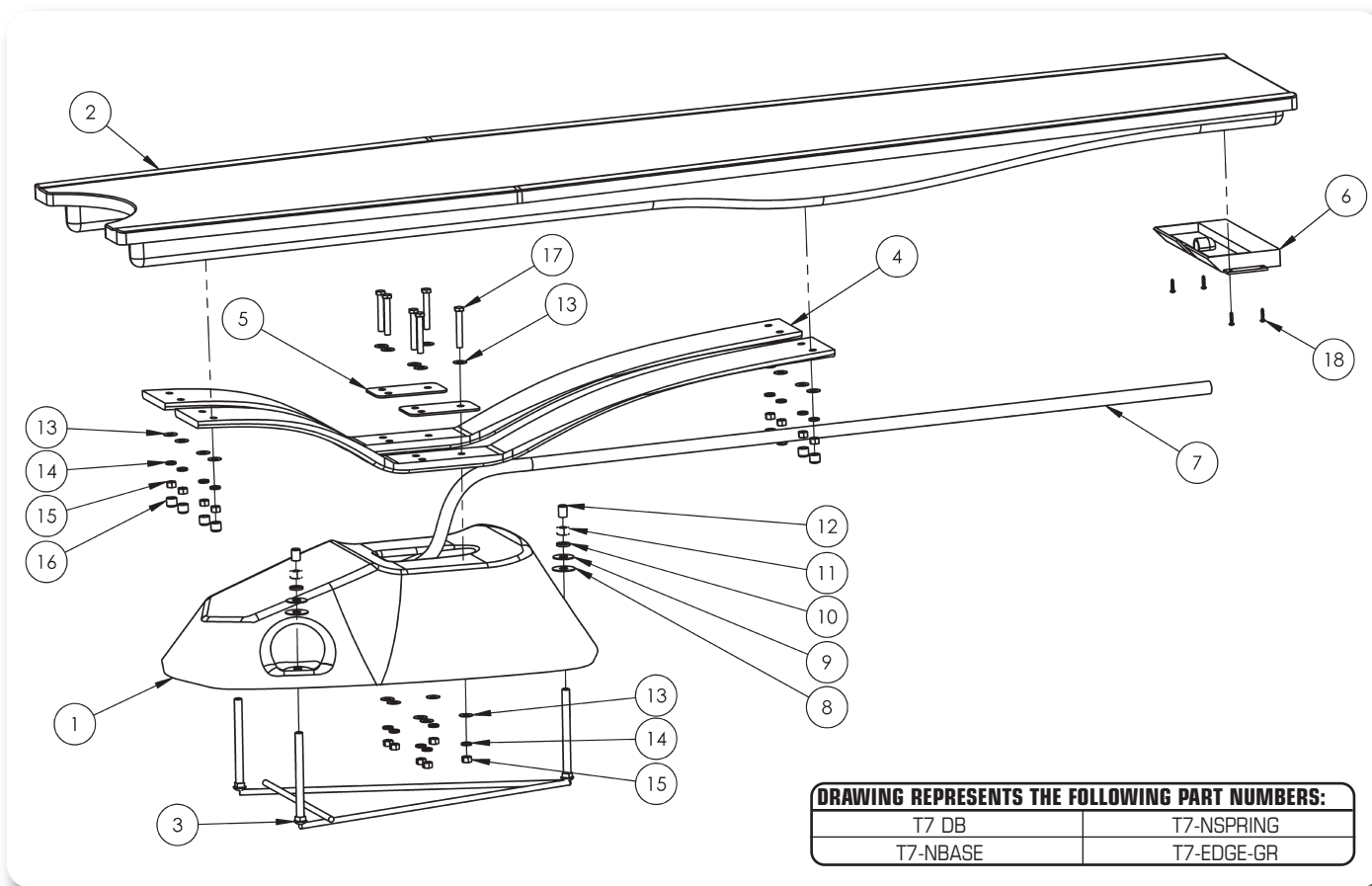
T7 DIVE STAND	NOMINAL BOARD LENGTH	ANSI/ NSPI-5 POOL TYPE	DISTANCE FROM WATER'S EDGE TO FORWARD JIG BOLT (S) *	DISTANCE FROM WATER END OF BOARD TO FORWARD JIG BOLT	MIN. OVERHANG POINT A TO POINT W +/- 3" **	MAX HEIGHT OF BOARD OVER WATER (HOW)
ONLY T7 DIVING BOARD CAN BE UTILIZED ON T7 DIVE STAND	7' T7 ONLY	I	31"	50"	18"	20"
	7' T7 ONLY	II	31"	50"	18"	20"
	7' T7 ONLY	III	25"	50"	24"	26"
	7' T7 ONLY	IV	19"	50"	30"	30"
	7' T7 ONLY	V	13"	50"	36"	40"

MUST BE INSTALLED ON TYPE I POOL OR GREATER

IMPORTANT: THESE DIMENSIONS ARE ACCURATE ONLY FOR VERTICAL POOL WALLS, **TYPICALLY GUNITE CONSTRUCTION**, WITH LESS THAN A 3' RADIUS TO THE POOL FLOOR.

DUE TO THE VARYING SIZES OF OTHER POOLS, **TYPICALLY VINYL LINER CONSTRUCTION**, PLEASE CONTACT CUSTOMER SERVICE FOR PROPER JIG PLACEMENT. **1-800-737-5386**

T7 DIVING SYSTEM (T7 DB, T7-NBASE, T7-NSPRING):



ITEM #	COMPONENT	DESCRIPTION	KITS - QTY. COUNTS			
			T7-NBK	T7-102-SS	EDGE-SP	M/A
1	T7-NBASE-(color code)	NO STEP T7 BASE				1
2	T7-DB-(color code)	7' T7 DIVING BOARD				1
3	T7-NJIG	3 BOLT T7 NO STEP BASE JIG				1
4	T7-NSPRING-(color)	T7 NBASE SPRINGS (pair)				1
5	SPRING PAD (factory installed)	T7 NSPRING PAD				2
6	T7-EDGE-GR (F-GR) / (L-GR)	OPTIONAL EDGEWATER ASSEMBLY				1
7	H-1/2 SPA HOSE	1/2" PVC FLEX SPA HOSE GRAY				1
8	H-1/2 NYLON WAS	1/2" FLAT NYLON WASHER	3			
9	H-SS 1/2 F WAS	1/2" SS FLAT WASHER	3			
10	H-SS 1/2 LOC WA	1/2" SS LOCK WASHER	3			
11	H-SS 1/2 H NUT	1/2" SS HEX NUT	3			
12	H-1-1/2 WHT CAP	.750 X 1-1/2 WHITE UV NUT CAP	3			
13	H-SS 3/8 FLT WA	3/8" SS FLAT WASHER		8	12	
14	H-SS 3/8 LOC WA	3/8" SS LOCK WASHER		8	6	
15	H-SS 3/8 F NUT	3/8" SS FINISH HEX NUT		8	6	
16	H-.562 X .390 CAP	.553 X 1/2" GRAY PROTECTIVE CAP		8		
17	H-SS 3/8 X 2-1/2	3/8" X 2-1/2" HEX HEAD BOLT SS			6	
18	H-SS #8 X 3/4	SS 8 X 3/4" PAN HEAD PHILLIPS SCREW				4

NOTES:

* Part #T7-NBASE comes WITH jig.

The T7 diving board, base, and springs must be used together and cannot be used separately in any other configuration.