

12" SQUARE WAVE ANTI-ENTRAPMENT SUCTION OUTLET COVER, VENTED RISER RING AND MUD FRAME



Certified to
NSF/ANSI/CAN 50
ANSI/APSP/ICC-16 2017

Open Area
90.8 in²

For SOFA Specific Flow Ratings and
specifications please scan QR code or visit
www.aquastarpoolproducts.com/flowcode



FEATURES

Certified, Listed, and Labeled in conformance with APSP/ANSI/ICC-16 2017 and NSF/ANSI/CAN 50 standards

Easily and safely retrofits to 12" square 3/4" deep frames

#316 stainless steel screws

Manufactured from superior UV-resistant engineered polymers

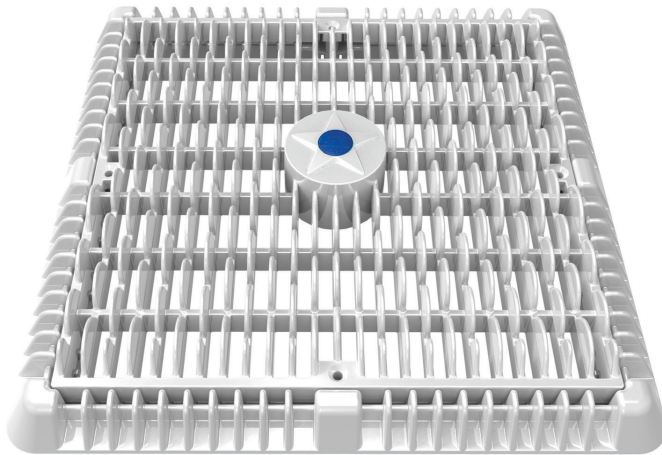
Trademarked VGBA compliance button easily identifies VGBA 2017 compliant cover from on deck and underwater

Online product support including downloadable CAD files, General Certificate of Conformity, third-party certificate, installation instructions and more

Replace drain cover every five years from the date of installation

See next page for additional product configurations

8 per case



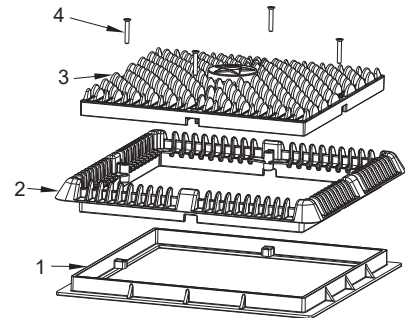
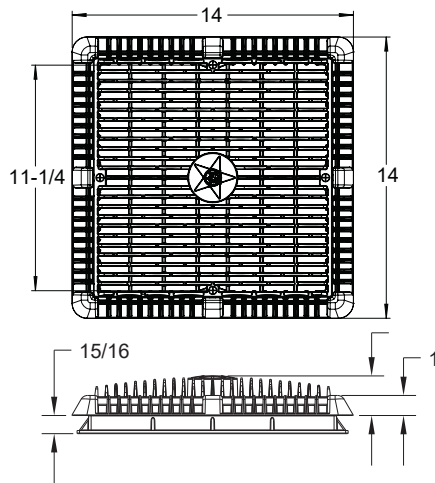
U.S. Patent No. D623727 and D663388

Part # WAV12WRxxx

Designed to replace standard 12" square covers that have a 11 1/4" center-to-center screw hole measurement with 3/4" deep existing frames

STANDARD COLORS

- WAV12WR101 – White
- WAV12WR102 – Black
- WAV12WR103 – Light Gray
- WAV12WR105 – Dark Gray
- WAV12WR108 – Tan



1. 12" Square Mud Frame
2. 12" Square Vented Riser Ring
3. 12" Square "Wave" Suction Outlet
4. 10 x 1-3/4" Flat Head Phillips, 316 SS, Qty 4

P 877-768-2717 F 877-276-POOL Outside the US: P +1-949-336-1940 F +1-949-336-1940
info@aquastarpoolproducts.com www.aquastarpoolproducts.com

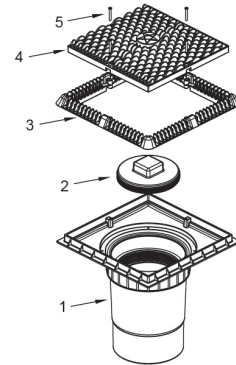
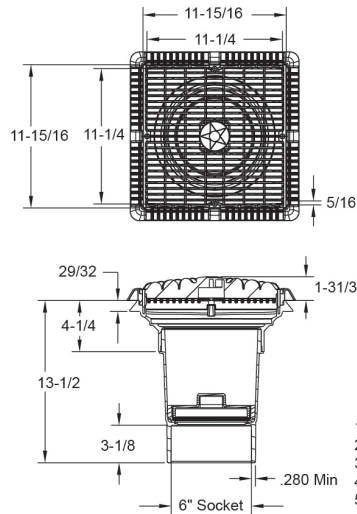
6" Socket Deep PVC Sump

NSF

Certified to
NSF/ANSI/CAN 50
ANSI/APSP/ICC-16 2017

Open Area
90.8 in²

For SOFA Specific Flow Ratings and
specifications please scan QR code or visit
www.aquastarpoolproducts.com/flowcode



1. 6" Socket Deep PVC Sump
2. 6" Tapered Threaded Pipe Plug
3. 12" Square Vented Riser Ring
4. 12" Square "Wave" Suction Outlet
5. 10 x 1-3/4" Flat Head Phillips, 316 SS, Qty 4

Part #
WAV12WRxxxF
4 per case

3" Socket x 4" Spigot Side Port PVC Sump

NSF

Certified to
NSF/ANSI/CAN 50
ANSI/APSP/ICC-16 2017

Open Area
90.8 in²

For SOFA Specific Flow Ratings and
specifications please scan QR code or visit
www.aquastarpoolproducts.com/flowcode



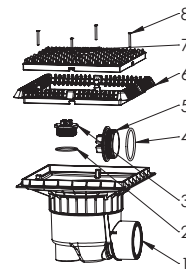
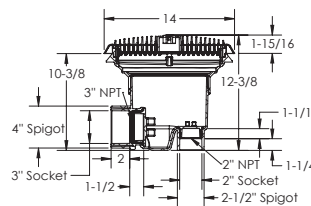
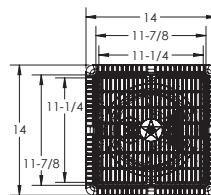
NEW Hassle-free pressure testing
and winterizing



Hassle-free pressure testing and winterizing
Comes with a 3" and 2" NPT cap with O-ring.
No knock-outs required.
2" Plug and O-Ring, p/n 2SBP101
3" Plug and O-Ring, p/n 3SBP101

Optional 2" hydrostatic relief valve available p/n HV101

Part #
WAV12WRxxxSSB
1 per case



1. Side Port Sump Bucket, 12" Square Frame
2. 2" Plug O-Ring
3. 2" NPT Plug
4. 3" Plug O-Ring
5. 3" NPT Plug
6. 12" Square Riser Ring
7. 12" Square "Wave" Suction Outlet Cover
8. 10 x 13/4" Flat Head Phillips, 316 SS, Qty 4