

9" Square SUN Anti-Entrapment Suction Outlet Cover, Vented Riser Ring and Mud Frame

VGB Series

The AquaStar line of suction outlet covers, compliant with the new Virginia Graeme-Baker Pool and Spa Safety Act (ANSI/APSP 16-2011 AND NSF 50-2008)

Features

For single or multiple drain use (see installation instructions)

Single – 3" sump depth:
Floor: 160 GPM at 2.2 fps
Wall: 128 GPM at 1.7 fps

Floor/wall: 111.7 GPM at 1.5 fps
23.9 square inch opening

Easily and safely retrofits most brands' existing 9" square 3/4" deep frames

Mud frame included for new construction

Additional sump versions also available

#316 stainless steel screws

Manufactured from superior UV-resistant engineered polymers

All components (cover, frame, screws) meet or exceed ANSI/APSP 16-2011 AND NSF 50-2008 national standards and ASTM G154 UV testing exposure

Listed with IAPMO R&T

8 per case

NEW SUN Series

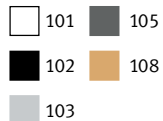


*Fits: AquaStar, Pentair #1, AquaStar pre-VGB (3/4" deep frames)

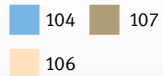
9" Square Vented Riser Ring also sold separately part # 9RRxxx

Part # SUN9WRxxx

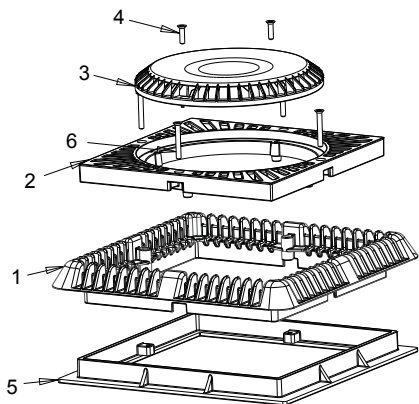
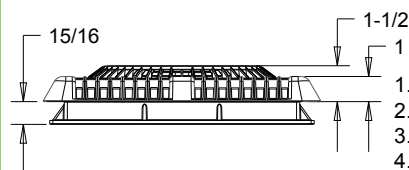
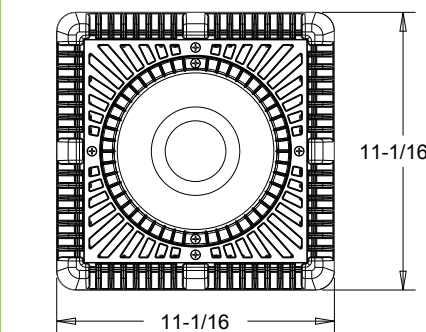
STANDARD COLORS



OPTIONAL COLORS



VGB 2008 Compliant



1. 9" vented riser ring
2. 9" shallow square "SUN" to 8" round adapter
3. 8" round anti-entrapment suction outlet cover
4. #10 x 3/4" flat head phillips screw, 316 ss
5. 9" square drain frame
6. #10 x 1-1/2" flat head phillips type-a screw, 316 ss

ADDITIONAL PRODUCT CONFIGURATIONS FOR SUN9WRxxx

Features: Sump Buckets for SUN9WRxxx

For single or multiple drain use (see installation instructions)

#316 stainless steel screws

Manufactured from superior UV-resistant engineered polymers

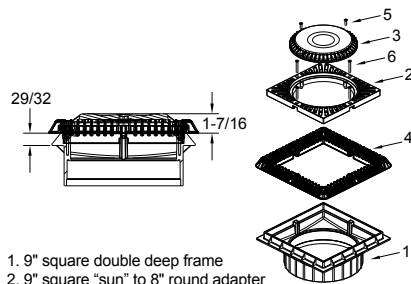
All components (cover, adapter plate, sump, screws) meet or exceed ANSI/APSP 16-2011 AND NSF 50-2008 national standards and ASTM G154 UV testing exposure

Sold with SUN9WRxxx, not sold separately

Double-Deep Sump



Part #
SUN9WRxxxA
4 per case

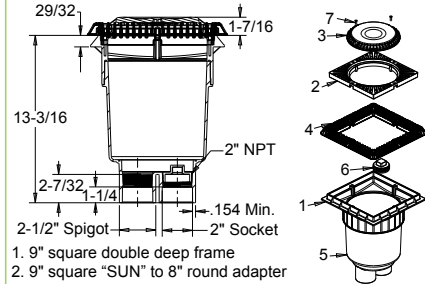


- 9" square double deep frame
- 9" square "sun" to 8" round adapter
- 8" anti-entrapment suction outlet
- 9" vented riser ring
- 10-32 x 5/8" flat head phillips screw, 316 ss, qty 2
- #10 x 1-1/2" flat head phillips type-a screw, 316 ss, qty 4

Dual-Port 2 1/2" Spigot x 2" Socket Deep PVC Sump



Part #
SUN9WRxxxB
2 per case

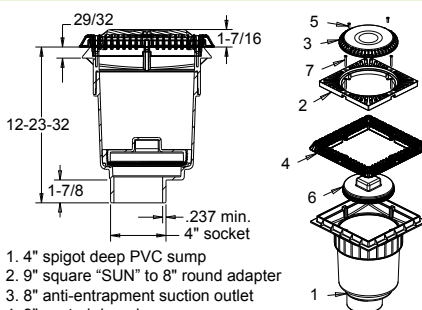


- 9" square double deep frame
- 9" square "SUN" to 8" round adapter
- 8" anti-entrapment suction outlet
- 9" vented riser ring
- Dual port 2-1/2" spc. x 2" soc. deep PVC sump
- 2" NPT port plug
- 10-32 x 5/8" lg. flat head phillips screw, 316 ss

4" Spigot Deep PVC Sump



Part #
SUN9WRxxxC
2 per case

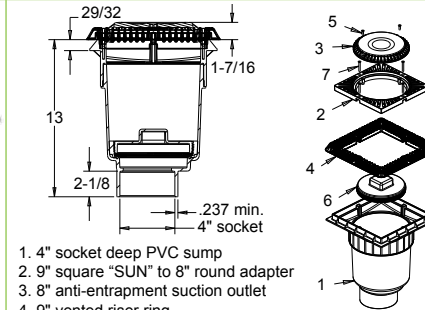


- 4" spigot deep PVC sump
- 9" square "SUN" to 8" round adapter
- 8" anti-entrapment suction outlet
- 9" vented riser ring
- 10-32 x 5/8" lg flat head phillips screw, 316 ss, qty 2
- Plug, 4" NPT, deep sump bucket
- #10 x 1 1/2" flat head phillips type-a screw, 316 ss, qty 4

4" Socket Deep PVC Sump



Part #
SUN9WRxxxD
2 per case

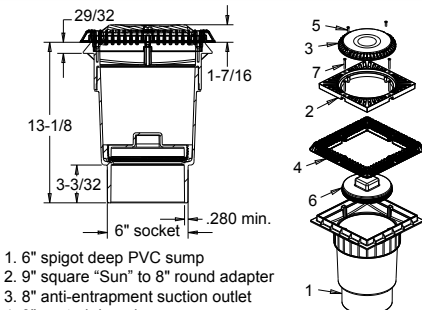


- 4" socket deep PVC sump
- 9" square "SUN" to 8" round adapter
- 8" anti-entrapment suction outlet
- 9" vented riser ring
- 10-32 x 5/8" lg flat head phillips screw, 316 ss, qty 2
- Plug, 4" NPT, deep sump bucket
- #10 x 1 1/2" flat head phillips type-a screw, 316 ss, qty 4

6" Spigot Deep PVC Sump



Part #
SUN9WRxxxE
2 per case

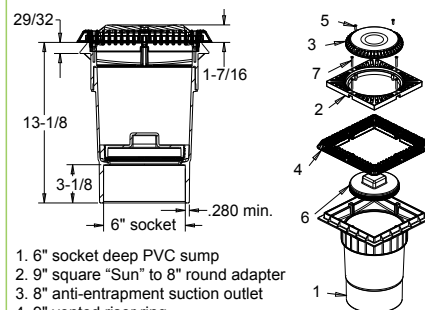


- 6" spigot deep PVC sump
- 9" square "Sun" to 8" round adapter
- 8" anti-entrapment suction outlet
- 9" vented riser ring
- 10-32 x 5/8" lg flat head phillips screw, 316 ss, qty 2
- Plug, 4" NPT, deep sump bucket
- #10 x 1 1/2" flat head phillips type-a screw, 316 ss, qty 4

6" Socket Deep PVC Sump



Part #
SUN9WRxxxF
2 per case



- 6" socket deep PVC sump
- 9" square "Sun" to 8" round adapter
- 8" anti-entrapment suction outlet
- 9" vented riser ring
- 10-32 x 5/8" lg flat head phillips screw, 316 ss, qty 2
- Plug, 4" NPT, deep sump bucket
- #10 x 1 1/2" flat head phillips type-a screw, 316 ss, qty 4