

12" Square Star Anti-Entrapment Suction Outlet Cover, Vented Riser Ring and Mud Frame

VGB Series

The AquaStar line of suction outlet covers, compliant with the new Virginia Graeme-Baker Pool and Spa Safety Act (ANSI/APSP 16-2011 and NSF 50-2008)

Features

For single or multiple drain use
(see installation instructions)

Single – 3" sump depth
Floor/wall: 360 GPM at 1.5 fps

79.9 square inch opening

Additional sump versions
also available

Easily and safely retrofits to 12" square
3/4" deep frames

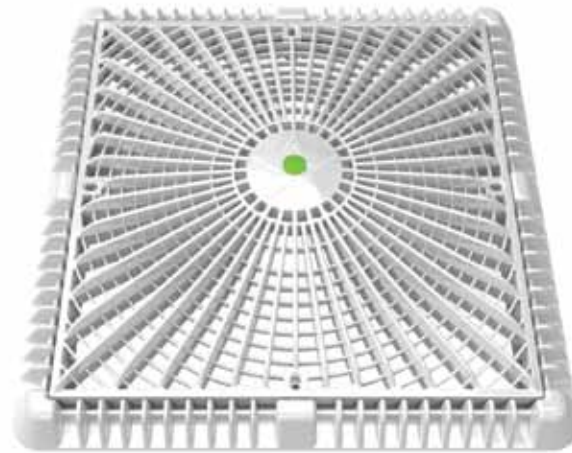
#316 stainless steel screws

Manufactured from superior
UV-resistant engineered polymers

All components (cover, frame, screws)
meet or exceed ANSI/APSP 16-2011 AND
NSF 50-2008 national standards and
ASTM G154 UV testing exposure

6 per case

NEW

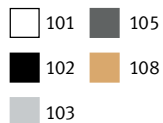


**U.S. patents D623728
and D663388**

Part #P12xxx

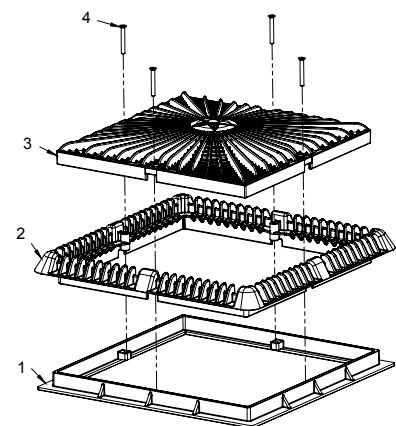
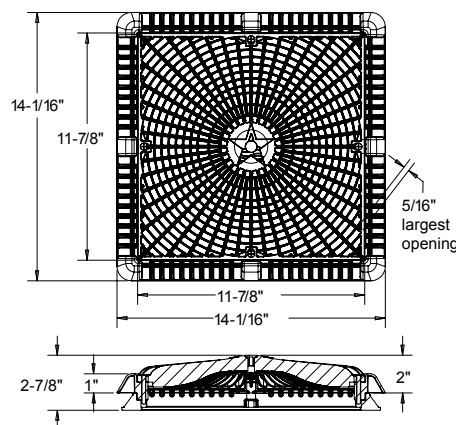
Fits: AquaStar (all standard 12" square), Pentair (#1 selling
with 3/4" deep existing frames and four screw hole pattern

STANDARD COLORS



12" Square Vented Riser Ring
also sold separately p/n 12RRxxx

VGB 2008 Compliant

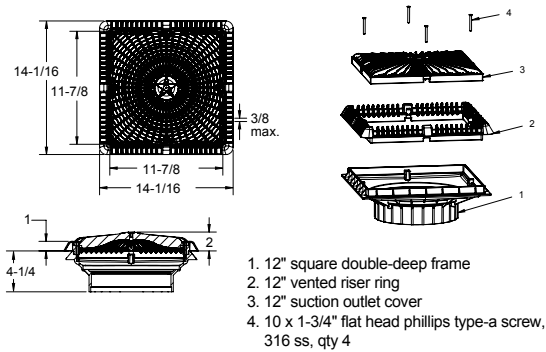


1. 12" drain frame
2. 12" vented riser ring
3. 12" suction outlet cover
4. 10 x 1-3/4" flat head phillips type-a screw, 316 ss, qty 4

ADDITIONAL PRODUCT CONFIGURATIONS FOR P12xxx

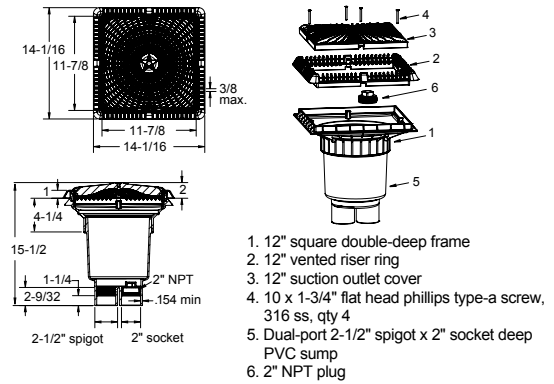
Double-Deep Sump

Part #
P12xxxA
4 per case



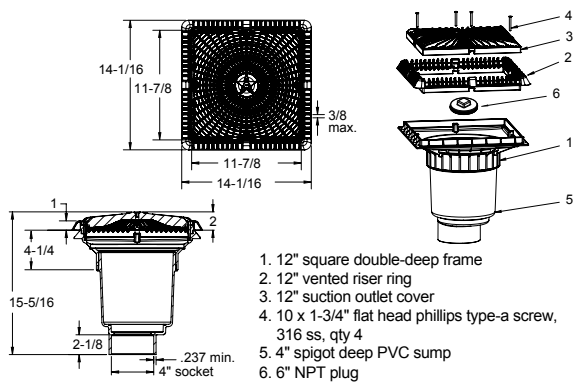
Dual-Port 2 1/2" Spigot x 2" Socket Deep PVC Sump

Part #
P12xxxB
1 per case



4" Socket Deep PVC Sump

Part #
P12xxxD
1 per case



6" Socket Deep PVC Sump

Part #
P12xxxF
1 per case

