

# 6" ROUND HOCKEY PUCK SUMPLESS SUCTION OUTLET COVER, HYDROAIR/ITT REPLACEMENT



Certified to  
NSF/ANSI/CAN 50  
ANSI/APSP/ICC-16 2017

Open Area  
10.4 in<sup>2</sup>

For SOFA Specific Flow Ratings and specifications please scan QR code or visit [www.aquastarpoolproducts.com/flowcode](http://www.aquastarpoolproducts.com/flowcode)



## FEATURES

Certified, Listed, and Labeled in conformance with APSP/ANSI/ICC-16 2017 and NSF/ANSI/CAN 50 standards

See next page for seven adapter plates sold separately, available for sumpless connections to 1022s, 1½" female adapters, 1½" and 2" inside and outside slip and threads

Easily and safely retrofits many HydroAir/ITT parts

Manufactured from superior UV-resistant engineered polymers

#316 stainless steel screws

Trademarked VGBA compliance button easily identifies VGBA 2017 compliant cover from on deck and underwater

Online product support including downloadable CAD files, General Certificate of Conformity, third-party certificate, installation instructions and more

Replace drain cover every five years from the date of installation

25 per case

## No sump required!

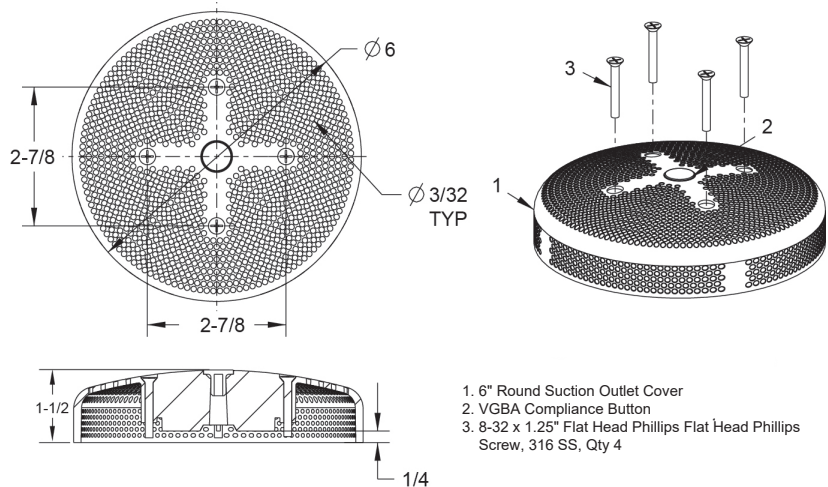


Part # 6HPHAxxx

### STANDARD COLORS

- 6HPHA101 – White
- 6HPHA102 – Black
- 6HPHA103 – Light Gray
- 6HPHA105 – Dark Gray
- 6HPHA108 – Tan

Replaces p/n 6HPxxx and 4HPxxx\*  
\*Replace the existing 4" bulkhead with a 6" bulkhead



1. 6" Round Suction Outlet Cover
2. VGBA Compliance Button
3. 8-32 x 1.25" Flat Head Phillips Flat Head Phillips Screw, 316 SS, Qty 4

P 877-768-2717 F 877-276-POOL Outside the US: P +1-949-336-1940 F +1-949-336-1940  
[info@aquastarpoolproducts.com](mailto:info@aquastarpoolproducts.com) [www.aquastarpoolproducts.com](http://www.aquastarpoolproducts.com)

