

# INTEX® OWNER'S MANUAL

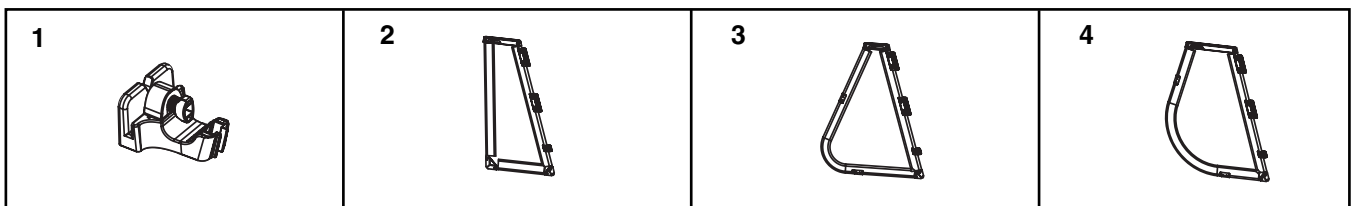
The ladder barrier is designed to close the space between the ladder and the inside wall of the pool, for prevention of swimming and entrapment behind the ladder or between the ladder steps. Install the barrier to your ladder according to the following instructions. Make sure to follow the instructions closely and pay attention to all warnings to assure proper assembly, function and safe use of the ladder and barrier.

## ⚠ WARNING

- Assembly and disassembly by adults only. Mount barrier only to a fully assembled ladder.
- Avoid entrapment hazard. Make sure the barrier and the ladder are always in the proper position during use, allowing them to function properly.
- Do not tamper with the barrier and do not allow children to tamper or interact with it. Check and ensure that all parts are connected and tightened properly before each use.
- The barrier does not replace competent adult supervision. Supervise children at all times, including when they are using the ladder to enter or exit the pool.
- Use the ladder and the barrier only as intended. Never use for any other purposes. Closely follow all instructions and warnings on the ladder.
- When not in use remove and secure the ladder away from the pool to prevent unauthorized or unsupervised pool entry.

FAILURE TO FOLLOW THESE WARNINGS MAY RESULT IN DROWNING BY ENTRAPMENT, OTHER SERIOUS INJURY OR DEATH.

## PARTS LIST



REF. NO.				DESCRIPTION	SPARE PART NO.	LADDER SIZE & QUANTITY					
FRAME POOL	EASY SET® POOL	RECTANGULAR POOL	COMMON PARTS			36"	42"	48"		52"	
						58976E	58977E	58978E	10903E	58979E	10904E
			1	CLAMP	11189	2	2	3	3	3	3
2				SMALL BARRIER FOR FRAME POOL	11180	1	1				
				LARGE BARRIER FOR FRAME POOL	11182			1	1	1	1
	3			SMALL BARRIER FOR EASY SET POOL	11181	1	1				
				LARGE BARRIER FOR EASY SET POOL	11183			1	1	1	1
		4		BARRIER FOR RECTANGULAR FRAME POOL	11184					1	1

The pool ladder comes packaged with two (2) or three (3) barriers. However, if the ladder was included with your pool, it will have only one (1) barrier, appropriate for the pool it was supplied with. In case of three barriers, please note that one barrier is designed to be used with an Intex Round Metal Frame style pool, the second barrier is designed to be used with an Easy Set® style pool with an inflatable top ring and the third barrier is to be used with an Intex Rectangular Frame style pool.

Determine which style of pool you have and use only the appropriate barrier unit to completely assemble your pool ladder. For the assembly you will need one barrier and two (for 36" and 42" ladders) or three (for 48" and 52" ladders) included mounting clamps.

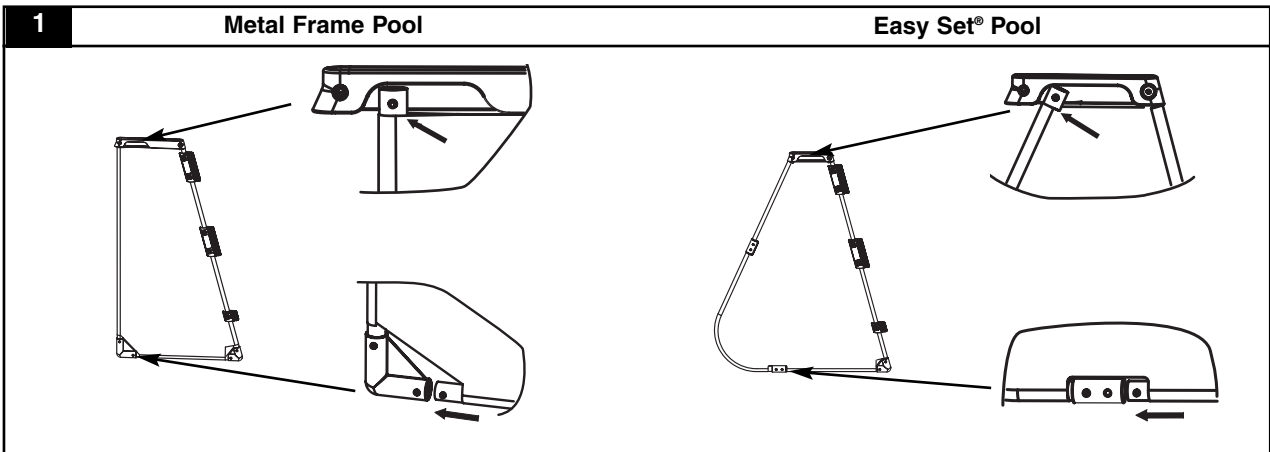
## SAVE THESE INSTRUCTIONS

### SETUP INSTRUCTIONS

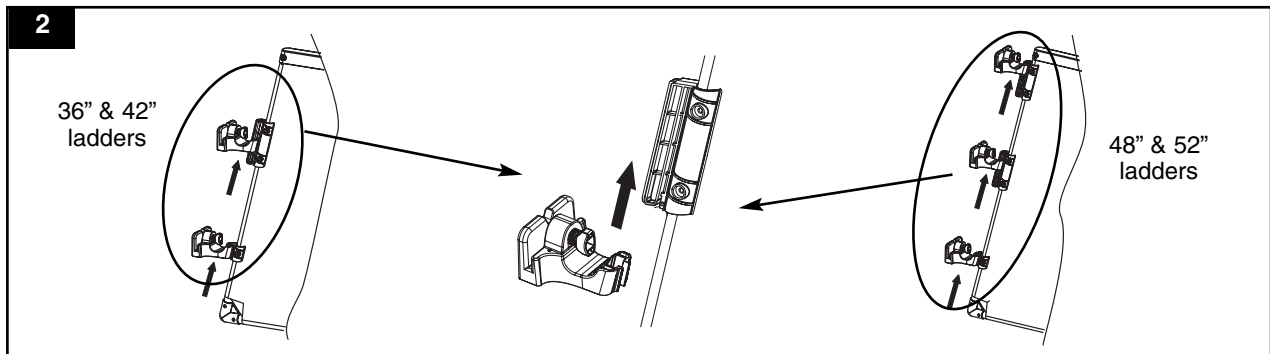
## ⚠ WARNING

Using the wrong barrier in the swimming pool will prevent it from functioning properly and may result in hazard that can cause entrapment and serious personal injury or drowning. Make absolutely sure to determine the correct ladder barrier for your style of pool. In case of two or three barriers do not use the remaining/unused barriers for any other purposes.

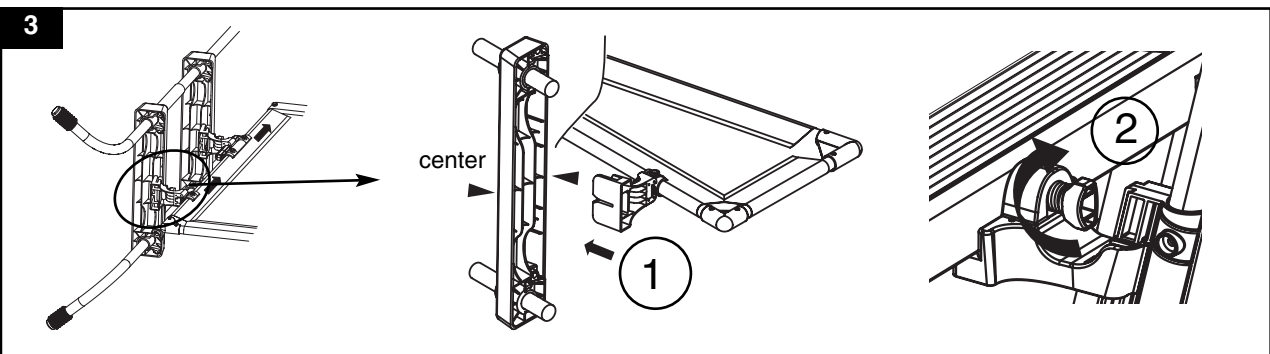
1. Unfold or extend the barrier and connect the pole at the top and bottom by squeezing the push buttons on the pole and inserting the poles in place until the push buttons snap back into the designated holes (See drawing 1).



2. Depending on the size/height of the ladder, the barrier includes 2 clamps for the 36" and 42" ladders or 3 clamps for the 48" and 52" ladders. Slide one clamp along each railing fitting on the barrier (see drawing 2).



3. Lay the assembled ladder on its side on the ground to facilitate the mounting of the assembled barrier to the ladder.
4. Starting from the **bottom step** of the ladder, attach the clamp tightly to the center back side of the ladder steps. **DO NOT ATTACH TO THE FRONT OR ANY OTHER PLACE ON THE LADDER!** Do this by sliding the clamp upward onto the back side of the step and make sure it is **centered**. Note the vertical slot on the clamp, which fits exactly over the center ridge on the underside of the step (see drawing 3). Tighten the screw with fingers only.



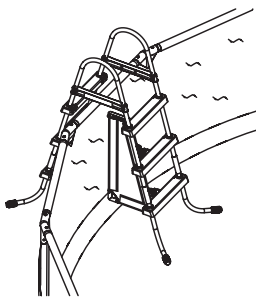
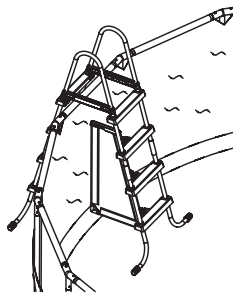
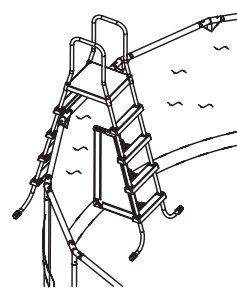
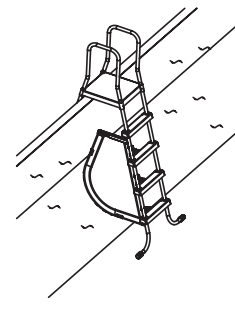
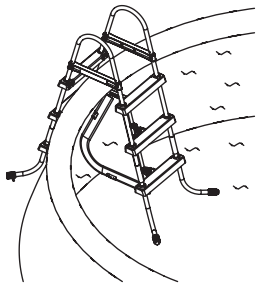
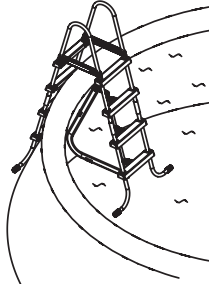
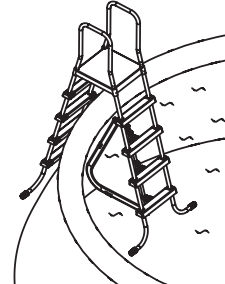
## SAVE THESE INSTRUCTIONS

**SETUP INSTRUCTIONS (continued)**

5. Repeat the procedure for the other clamp(s) and verify the screws on the clamps are properly tightened. Do not over tighten or use tools. **NOTE:** Make absolutely sure the barrier is attached correctly to the bottom 2 steps (36" & 42" ladders) or bottom 3 steps (48" & 52" ladders) of the ladder. The highest step of the ladder shall not have a mounting clamp attached to it. The barrier should be approximately 3 inches (8cm) off the floor when the ladder is standing up.
6. Place the ladder with the assembled barrier over the sidewall of the pool. Make sure the ladder barrier is **INSIDE** of the pool closing the space between the ladder and the inner wall of the pool.  
**NOTE:** Moving the ladder toward the inside of the pool will allow a sufficient gap to avoid limb entrapment, while still limiting the space in order to prevent swimming behind the ladder.

**IMPORTANT**

For rectangular frame pools, the ladder with the assembled barrier must be placed over the long side of the pool wall to ensure proper functioning of the barrier.

**4****Metal Frame Pool**36" & 42"  
ladders48"  
ladder52"  
ladder52" ladder for  
rectangular pool**5****Easy Set® Pool**36" & 42"  
ladders48"  
ladder52"  
ladder

©2009 Intex Marketing Ltd. - Intex Development Co. Ltd. - Intex Trading Ltd. - Intex Recreation Corp.  
All rights reserved/Tous droits réservés/Todos los derechos reservados/Alle Rechte vorbehalten.  
Printed in China/Imprimé en Chine/Impreso en China/Gedruckt in China.

®™ Trademarks used in some countries of the world under license from/®™ Marques utilisées dans certains pays sous licence de/Marcas registradas utilizadas en algunos países del mundo bajo licencia de/Warenzeichen verwendet in einigen Ländern der Welt in Lizenz von/Intex Marketing Ltd. to/à/a/an Intex Trading Ltd., Intex Development Co. Ltd., G.P.O Box 28829, Hong Kong & Intex Recreation Corp., P.O. Box 1440, Long Beach, CA 90801 • Distributed in the European Union by/Distribué dans l'Union Européenne par/Distribuido en la unión Europea por/Vertrieb in der Europäischen Union durch/Intex Trading B.V., P.O. Box nr. 1075 - 4700 BB Roosendaal - The Netherlands

**SAVE THESE INSTRUCTIONS**