



Pressure Side Pool Cleaner



Installation and User's Guide

IMPORTANT SAFETY INSTRUCTIONS
READ AND FOLLOW ALL INSTRUCTIONS
SAVE THESE INSTRUCTIONS

Customer Service / Technical Support

If you have questions about ordering Pentair Water Pool and Spa (“Pentair”) replacement parts, and pool products, please use the following contact information:

Customer Service (8 A.M. to 5 P.M. — Eastern and Pacific Times)

Phone: (800) 831-7133

Fax: (800) 284-4151

Technical Support

Sanford, North Carolina (8 A.M. to 5 P.M. ET)

Phone: (919) 566-8000

Fax: (919) 566-8920

Moorpark, California (8 A.M. to 5 P.M. PT)

Phone: (805) 553-5000 (Ext. 5591)

Fax: (805) 553-5515

Web site

visit www.pentairpool.com or www.staritepool.com to find information about Pentair products.

© 2011 Pentair Water Pool and Spa, Inc. All rights reserved.

This document is subject to change without notice.

1620 Hawkins Ave., Sanford, NC 27330 • (919) 566-8000
10951 West Los Angeles Ave., Moorpark, CA 93021 • (805) 553-5000

Pentair Water Pool and Spa®, Kreepy Krauly®, and Platinum™ are registered trademarks and/or trademarks of Pentair Water Pool and Spa, Inc. and/or its affiliated companies in the United States and/or other countries. VELCRO® is a registered trademark of Velcro Industries B. V. Unless noted, names and brands of others that may be used in this document are not used to indicate an affiliation or endorsement between the proprietors of these names and brands and Pentair Water Pool and Spa, Inc. Those names and brands may be the trademarks or registered trademarks of those parties or others.

Contents

| | |
|--|-----------|
| Important Warning and Safety Instructions | ii |
| General Installation Information | iii |
| Warranty Information | iv |
| Important Information about the Kreepy Krauly® Platinum™ | v |
| Section 1: Introduction..... | 1 |
| Overview | 1 |
| Features..... | 1 |
| Section 2: Installation..... | 2 |
| Kreepy Krauly® Platinum™ Components | 2 |
| Pool Connections | 3 |
| Booster Pump Installation | 3 |
| Installing the Twist Lock Pressure Relief Valve | 3 |
| Cutting the Feed Hose | 4 |
| Checking Operation | 8 |
| Adjusting the Kreepy Krauly® Platinum™ | 9 |
| Thrust Jet Adjustment | 9 |
| Sweep Hose Adjustment | 9 |
| Checking Wheel RPM | 10 |
| Section 3: Operation and Maintenance..... | 11 |
| Connecting/Disconnecting the Kreepy Krauly® Platinum™ | 11 |
| Turning the Kreepy Krauly® Platinum™ On/Off..... | 11 |
| Cleaning the Sand and Silt Bag..... | 11 |
| Periodic Maintenance | 12 |
| Wall Fitting Screen | 12 |
| Tires & Bearings | 12 |
| Roller Rings | 12 |
| Debris Bags | 12 |
| Sweep Hose | 13 |
| Debris Valve | 13 |
| Back Washing the Pool Filter | 13 |
| Storage and Winterizing..... | 13 |
| Accessories | 13 |
| Sweep Hose Weight | 13 |
| Leaf Bag | 13 |
| Section 4: Troubleshooting | 14 |
| Section 5: Replacement Parts | 15 |
| Exploded View | 15 |
| Parts List..... | 16 |

IMPORTANT WARNING AND SAFETY INSTRUCTIONS




Important Notice:

Attention Installer: This guide contains important information about the installation, operation and safe use of this product. This information should be given to the owner and/or operator of this equipment after installation of the pool cleaner.

Attention User: This manual contains important information that will help you in operating and maintaining this pool cleaner. Please retain it for future reference. Consult Pentair with any questions regarding this equipment.

WARNING — Before installing this product, read and follow all warning notices and instructions which are included. Failure to follow safety warnings and instructions can result in severe injury, death, or property damage. Call (800) 831-7133 for additional free copies of these instructions.

Consumer Information and Safety

The Kreepy Krauly® Platinum™ pool cleaners are designed and manufactured to provide many years of safe and reliable service when installed, operated and maintained according to the information in this manual. Throughout the manual, safety warnings and cautions are identified by the “” symbol. Be sure to read and comply with all of the warnings and cautions.



WARNING — **Hazardous suction.** Do not play with cleaner or hose or apply to body. Can trap and tear hair or body parts. Hose can trip or entangle swimmers which could result in drowning.



WARNING — **Suction entrapment, injury, and drowning hazard.** If your pool has a dedicated suction port (“vac port”) for vacuuming or for an automatic pool cleaner, it **must be covered when not in use**. A spring loaded safety cover (a “vac port fitting”) is included with your cleaner. Install it on the suction port to prevent entrapment and injury. If the cover provided does not fit, purchase one that does from your local pool store and install it instead. The cover should conform to IAPMO SPS4-99A.



WARNING — **Stop pump** before attempting to clean unit. Do not allow swimmers in pool while pool cleaner is operating.



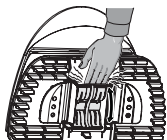
WARNING — To reduce the risk of injury, do not let children use or play with pool cleaner.



WARNING — Do not allow swimmers in the pool while pool cleaner is operating. Hose can trip or entangle swimmers which could result in drowning.



CAUTION — Moving parts may injure hands or fingers. **Stop pump** before attempting to clean out pool cleaner head.



GENERAL INSTALLATION INFORMATION

Pre-installation check list

Before installing your cleaner, review and understand all warnings and safety information in this guide. Failure to follow these instructions or improper installation of the cleaner can result in damage to the pool finish or the vinyl liner, Pentair Water Pool and Spa, Inc. disclaims any liability for repairs or replacement to any of these structures or components of the customer's pool.

Before installing the cleaner in a vinyl liner pool:

Check liner closely for signs of deterioration or damage from age, chemicals, pool wall damage, etc. If any damage is found, have a qualified pool professional make all the necessary repairs. Also, if there are stones, roots, etc., under the liner, remove them before installing the cleaner.

Before installing the cleaner in a gunite pool or a pool that is partially or completely tiled:

Repair loose tiles and tighten any loose light rings.

Before installing the cleaner, clean your filter system:

Make sure you have cleaned the filter, including backwashing, rinsing, and emptying all baskets. A clean system is necessary for proper cleaner operation and coverage.

Before installing the cleaner, fill the hose with water:

Always make sure the cleaner head is submerged and the hose is full of water before connecting the hose to the filtration system (whether through a skimmer or dedicated wall fitting). Air in the system can damage the pump through dry running and overheating.

Before installing the cleaner, understand cleaner coverage:

The cleaner is designed to rid your pool of debris in approximately 4-6 hours. Less time could be needed, depending on the pool size. The cleaner was not designed to automatically clean steps or swimouts or to work under a solar cover. It was also not designed to do initial cleanup for a new pool or when opening your pool for the season.

AFTER installing the cleaner, make sure the cleaner is operating correctly :

The cleaner may need some minor adjustments to make sure it is operating properly so there is no damage to the pool finish. Certain vinyl liner patterns are particularly susceptible to surface wear, pattern removal, ink rubbing off of, or serious scratches to the pattern caused by objects coming into contact with the vinyl surface, including automatic pool cleaners. Pentair Water Pool and Spa, Inc. is not responsible for any pattern removal, abrasions or markings on vinyl liners.

WARRANTY INFORMATION

Limited Warranty Terms & Conditions

Before installing your cleaner, review and understand all warnings, safety and warranty information in this guide. Failure to follow these instructions or improper installation of the cleaner can result in damage to the pool finish or the vinyl liner, Pentair Water Pool and Spa, Inc. disclaims any liability for repairs or replacement to any of these structures or components of the customer's pool.

The Cleaner manufacturer, Pentair Water Pool and Spa, Inc. ("Manufacturer"), hereby provides the following limited warranty to the purchaser ("Customer"): WHICH IS SUBJECT ONLY TO THE FOLLOWING CONDITIONS AND EXCLUSIONS:

This limited warranty does not include replacement of parts which become discolored due to exposure to sunlight or chemicals, or parts which, even if worn, do not affect performance of the cleaner. Nicks, scratches, fading, discoloration, etc. are cosmetic conditions that do not affect mechanical performance. **Both Manufacturer and Pentair Water Pool and Spa's dealer reserve the right to deny any and all warranty claims made for worn parts if the wear does not negatively affect mechanical performance of the cleaner.**

The Cleaner is designed to function in a properly designed, constructed and maintained pool. This limited warranty does not extend in the circumstances where the pool's design, construction or maintenance is defective, substandard or inappropriate for the Cleaner's operation.

Deterioration, discoloration or brittleness of any pool finish can be caused over time separately by, or in combination with, age, an imbalance in water chemistry, improper installation, and other factors. Customer hereby disclaims any and all claims, and releases Manufacturer from any and all claims for damages to any pool plaster or vinyl liner in Customer's pool by reason of the use and/or operation of the Cleaner.

Under no circumstances shall Manufacturer be liable for any loss or damage, whether direct, consequential or incidental, arising out of the use or inability to use the Cleaner or the Hose in Customer's pool.

This limited warranty does not apply to any injury, loss, damage, defect, or malfunction of the Cleaner or failure to function resulting from any failure to operate or maintain the Cleaner in accordance with the directions contained in the Installation and Operation Manual or operating instructions provided by Pentair Water Pool and Spa or any injury, loss, damage, defect, or malfunction, or failure to function resulting from any accident, acts of God, alterations in the Cleaner by anyone other than Manufacturer; or misuse, unreasonable use, tampering, abuse, acts, omissions, failure or negligence by anyone other than Manufacturer including but not limited to such damages or injuries to parts resulting from improper installation, or damage to pump parts resulting from running the pump dry (e.g., interruption in or inadequate supply of water to internal pump parts due to loss of prime, or obstruction in lines or otherwise); or damage, defect or malfunction resulting from defects in, failure or malfunction of, or negligence, abuse, or misuse with respect to equipment other than the Cleaner; or any damage or loss of any nature whatsoever and personal injury caused due to the presence of a foreign object in or about the pool.

Disclaimer of Liability

About Your Pool and Kreepy Krauly® Platinum™

There are a multitude of factors that contribute to the life of your pool. The Kreepy Krauly® Platinum™ pool cleaner is a very passive product that will have no impact on pool life.

Please be aware that over time, deterioration, discoloration and brittleness of any pool finish can be caused separately by, or in combination with, age, an imbalance in pool water chemistry, improper installation and other factors. An automatic pool cleaner, such as Kreepy Krauly® Platinum™, will not remove or cause wear on "good" pool plaster. In fact, the opposite is true—pool plaster will eventually cause wear on the cleaner.

The same situation holds true for vinyl-lined in-ground swimming pools, because vinyl liners are also affected by the environment and factors such as pool water chemistry, sunlight and the pool's surroundings. Therefore over time, vinyl can become brittle and weak. In addition, vinyl-lined pools are affected by the workmanship, composition and installation of the liner and the workmanship and quality of construction of the supporting walls and pool base. These are all factors which can contribute to liner failure. The existence of any of these type of conditions in your pool is not caused by the use or operation of Kreepy Krauly® Platinum™. The manufacturer disclaims any liability for repairs or replacement to any of these structures or components of the customer's pool.

The pool owner must assume all responsibility for the condition and maintenance of the pool's surface, water and deck.



LL505PM / LL505PMG

Important Information

The Kreepy Krauly® Platinum™ automatic pool cleaner comes ready to connect into a female threaded 1-1/2" line, dedicated to our Universal Booster Pump. Also, if you have a chlorinator, solar system or other air inducing equipment, contact our Technical Support Department at 1-800-831-7133 before you install the Kreepy Krauly® Platinum™ cleaner. (See diagram on page 2).

The following are important facts to remember before installing and operating the Kreepy Krauly® Platinum™.

1. Always disconnect the Kreepy Krauly® Platinum™ from the pool wall when cleaning or back washing the pool filter.
2. After cleaning or back washing, let the filtration system run for at least five minutes before reconnecting the Kreepy Krauly® Platinum™.
3. New plumbing lines should be flushed out before installing the Kreepy Krauly® Platinum™.
4. The Kreepy Krauly® Platinum™ should not be used to remove plaster dust in new pools.
5. Always remove the Kreepy Krauly® Platinum™ before swimmers enter the pool.
6. Always handle the Kreepy Krauly® Platinum™ with care. Do not let children or pets play with the unit: it is not a toy.
7. Always pick up the Kreepy Krauly® Platinum™ by the Vacuum Tube especially when lifting the unit out of the water.
8. Unless checking the wheel RPM, do not handle the Kreepy Krauly® Platinum™ while it is operating.
9. Always remove the Kreepy Krauly® Platinum™ from the pool before chemical shock treatments. As a rule, any pool water that is unsafe for swimming is unsafe for the Kreepy Krauly® Platinum™.
10. Carefully cut the feed hose following the instructions on Page 3.
11. By following these simple guidelines, you can help protect against injury and prolong the life of your Kreepy Krauly® Platinum™.

Before the Kreepy Krauly® Platinum™ is installed, please take a moment to record the serial number. This number is located on your warranty card and on the back of the Kreepy Krauly® Platinum™ near the rear jets. You will be asked for this number when you contact our Technical Support Department.

SERIAL # _____

Blank Page

Section 1

Introduction

Overview

The newly redesigned Kreepy Krauly® Platinum™ automatic pool cleaner offers four times greater cleaning coverage and is designed to handle tougher cleaning challenges. The Kreepy Krauly® Platinum™ is the leading choice for pools in yards with lush landscaping, large leaves, and debris.

The Kreepy Krauly® Platinum™ moves randomly throughout the pool, vacuuming and sweeping the bottom. The Kreepy Krauly® Platinum™ comes equipped with a wall fitting featuring a twist lock automatic pressure relief valve. If the cleaner receives too much water pressure, the relief valve automatically reduces the water pressure.

The cleaner goes into a back up mode about every three minutes and 30 seconds, allowing the back up valve to pull the Kreepy Krauly® Platinum™ out of any problem areas. The gentle sweeping motion of the sweep hose prevents debris from becoming trapped in hard to reach corners of the pool.

Features

- New dual-thrust jet design delivers more cleaning power and 20% faster cleaning—cleans most pools in just 1-3 hours.
- Large-capacity channel and huge intake throat easily vacuum away larger leaves and debris.
- Lightweight frame and improved tire/wheel design result in four times greater cleaning coverage of pool walls.
- Solid 4-wheel design assures stable, uninterrupted cleaning.
- 60% larger debris bag captures more dirt; wider bag opening for easy cleaning.
- Powered by an independent booster pump for maximum cleaning performance and unimpeded surface skimming.

Kreepy Krauly® Platinum™



Section 2

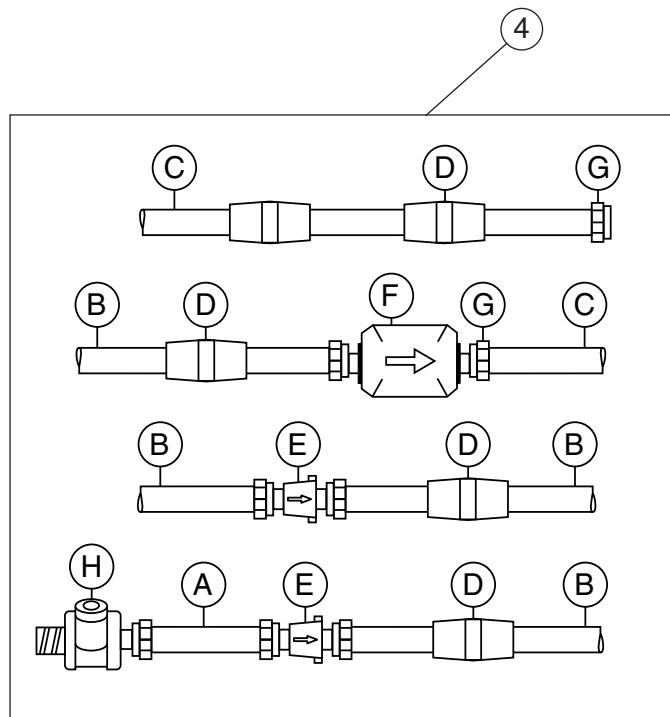
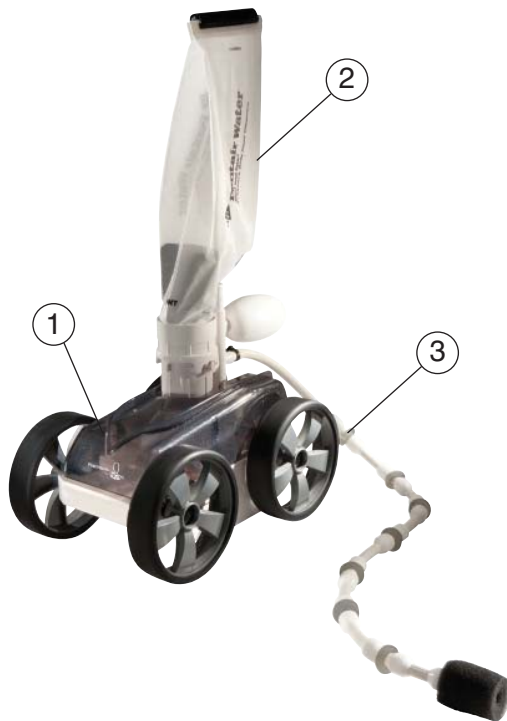
Installation

Kreepy Krauly® Platinum™ Components

Only a qualified service person should install the Kreepy Krauly® Platinum™ automatic pool cleaner. Refer to pages ii to v for additional installation and safety information.

Box Contains:

- | | |
|--------------------------|--|
| 1. Cleaner Head | c. 30 in. soft hose/1 - 7½ ft. soft hose (1) |
| 2. Sand & Silt Bag | d. Floats (10) |
| 3. Sweep Hose | e. Swivels (3) |
| 4. Complete Feed Hose | f. Back-Up Valve (1) |
| a. 8½ in. hose (1) | g. Mender Nuts (10) |
| b. 10 ft. long hoses (2) | h. Wall Fitting complete (1) |



Pool Connections

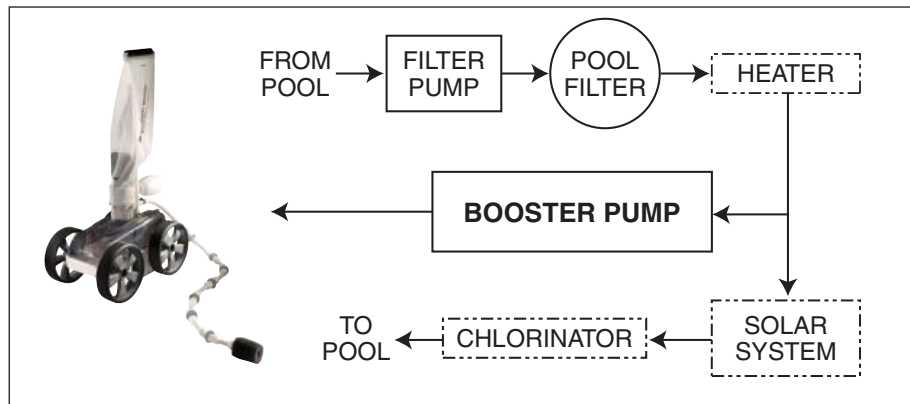
- The Kreepy Krauly® Platinum™ comes equipped to connect to a female threaded 1-1/2 in. line, dedicated to our Universal Booster Pump.
- If the pool doesn't have a dedicated cleaner line please contact our Technical Support Department at 1-800-831-7133.

Booster Pump Installation

If you already have a 3/4 horsepower booster pump installed at your equipment pad and it is operational, skip this section and proceed to “*Installing the Twist Lock Pressure Relief Valve (Wall Fitting)*”.

Detailed booster pump installation instructions are packaged separately in our booster pump box. **Please follow these instructions carefully.**

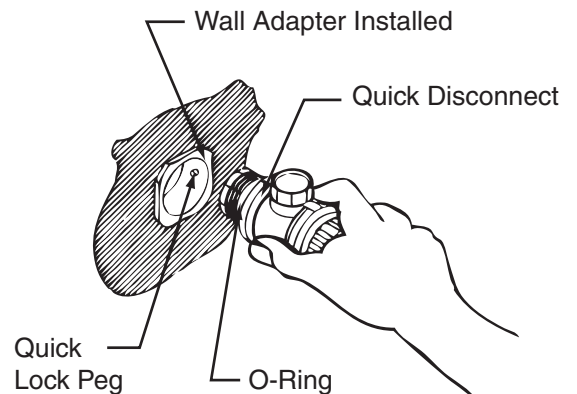
The booster pump is not self-priming and needs to be fed with water taken from the pool filter before any type of in-line chlorinator. See illustration below.



Installing the Twist Lock Pressure Relief Valve (Wall Fitting)

1. Take out any existing pool cleaner and/or wall fitting.
2. Turn on the filtration pump and booster pump, flush out the plumbing line.
3. Turn off filter pump and booster pump.
4. Remove the Wall Adapter from the Wall Fitting and screw Adapter by hand into the dedicated line. Turn until tight.
5. Take the Wall Fitting and Twist Lock the Wall Fitting into the Wall Adapter 1/4 turn and pull out, to a snug fit.

Once the Wall Adapter is secure, you can now twist lock and unlock to remove Wall Fitting with ease from the Wall Adapter.



Cutting the Feed Hose

The Hose assembly comes in 5 sections now covering approximately 30 ft. of the pool. The Back-Up Valve is now 30 in. from the head cleaner and should always remain this distance. For larger pools, see #14 on page 7 for instructions on adding additional feeder hose.

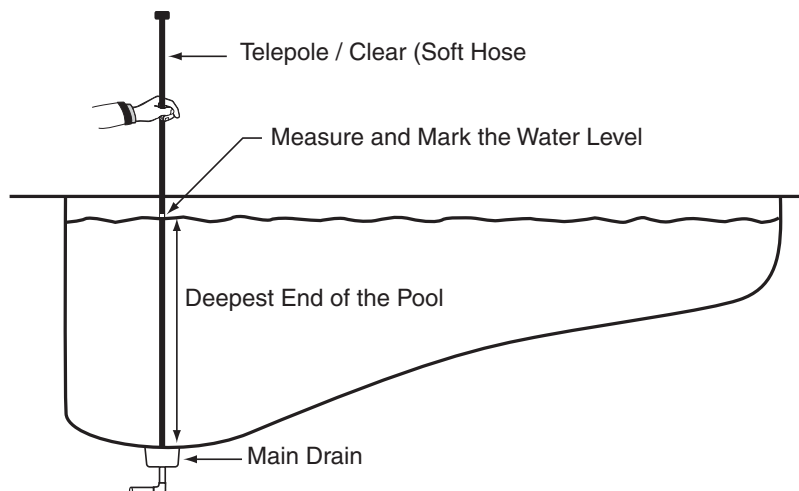
1. Before installing the unit, lay the feed hose out straight in the sun, (for one day if possible). The hose is curled in the box upon delivery and sometimes does not lay straight. If needed, take the first or second section of hose from the wall and reverse it, (turn it around).

Note: You might have to reverse both sections to correct the problem. Make sure the feed hose is cut and installed properly.

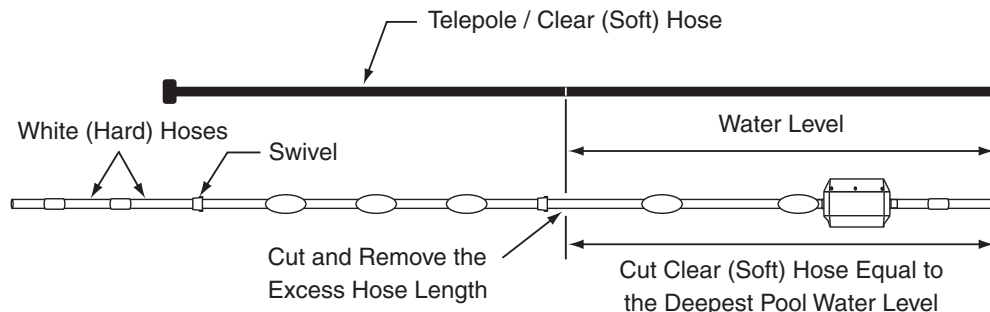
2. Use the telepole or the clear end of the feeder hose to measure the depth of the pool. Cut the clear (soft) hose equal to the depth of the pool.

Note: the grate or domed main drain at the bottom is usually the deepest point.

Example: The clear (soft) hose is 10 ft. long, if the pool is 8½ ft. deep, cut 1½ ft. off of the clear (soft)hose. If the depth is greater than 10 ft., do not cut the clear (soft) hose.

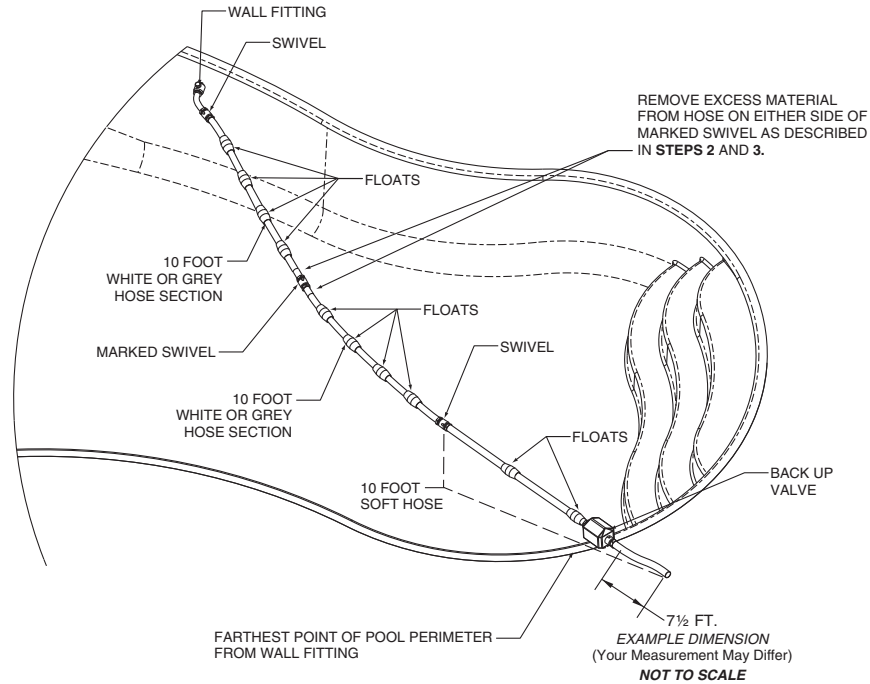


3. Lay the telepole next to the clear (soft) hose. If the clear (soft) hose is longer than the mark on telepole, cut excess from the end attached to the white (hard) hose. Do not cut off the float. Leave the first float in position next to the Back-Up Valve. Place the second float midway between the first float and the Hose Swivel.

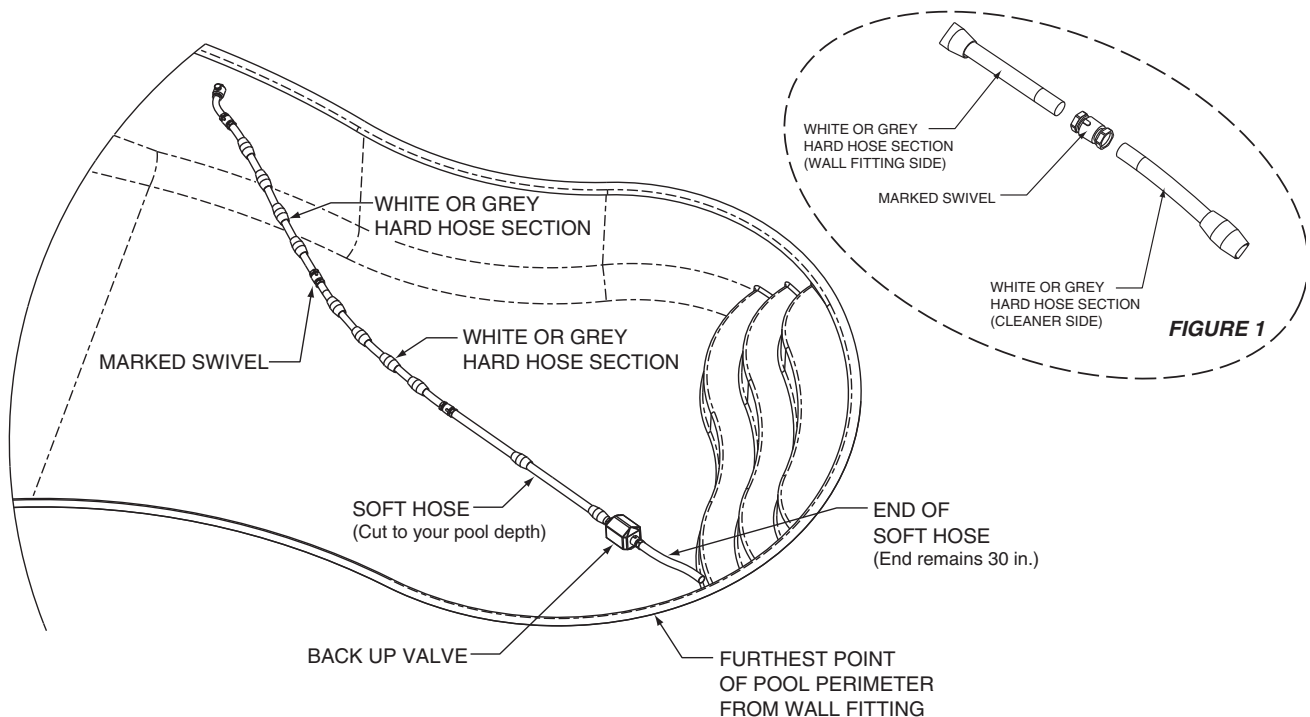


Example of Hose Assembly Before Cutting to Hose Length

1. With the feed hose assembly attached to the pool wall, hold the feed hose assembly by the opposite end with the clear hose and walk the perimeter of the pool to locate the farthest point on the perimeter from the wall fitting without stretching the hose assembly.
2. Measure the distance that the hose assembly extends beyond the pool perimeter farthest point located in Step 1 — (7½ ft. in this example).
3. Cut half of the length obtained from Step 2 — (3¾ ft. in this example), equally from each of the 10 foot lengths of white or grey hose on either side of the marked swivel.



4. Reassemble the hoses using the supplied mender nuts as shown in FIGURE 1.
5. The complete hose assembly should look like this. The end of the 30 inch clear hose should reach just to the furthest edge of the pool perimeter as shown.

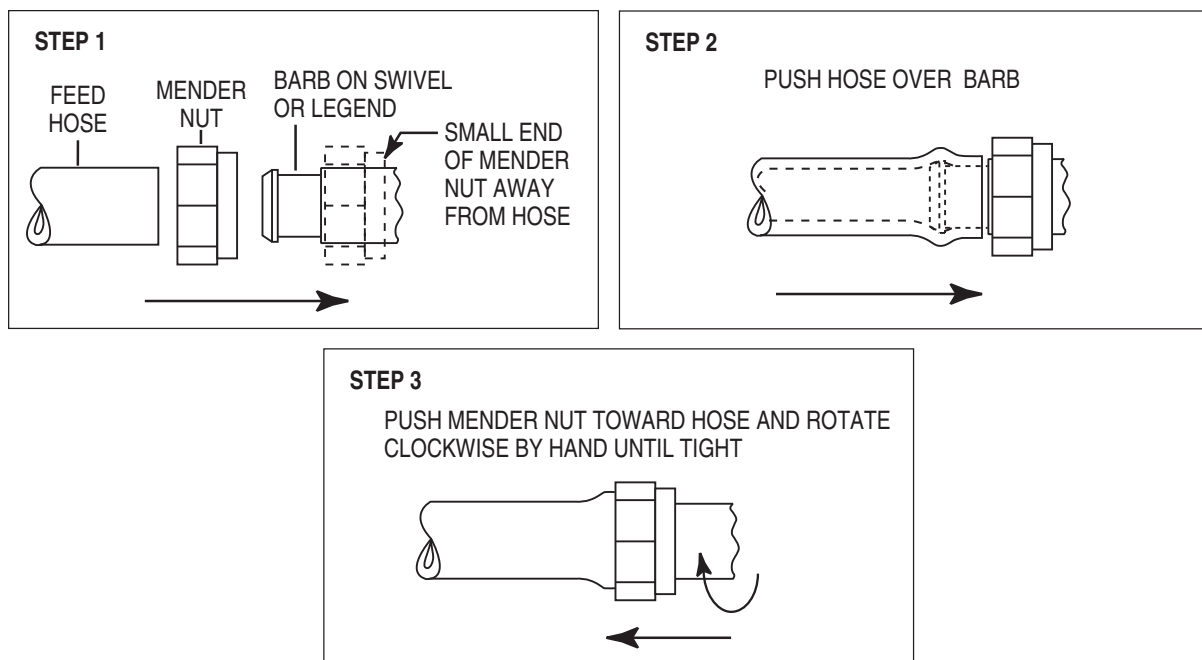


Cutting the Feed Hose, (Continued)

4. Attach feed hose to the wall fitting and attach to the pool wall. Hold the end of the 30 in. clear (soft) hose and walk the perimeter of the pool keeping the hose straight (do not stretch hose) to find the farthest point of the pool from the wall fitting.
5. Measure the excess length between the farthest point of the pool from Wall Fitting and the end of 30 in. clear (soft) hose.
6. Half of this measured length to be **cut equally from the 10 ft. long hoses next to the Marked Swivel**. (Example: Half of 6 ft. = 3 ft. each). If you are cutting more than 2 ft. off the hoses, remove the floats next to the Marked Swivel from both hoses. See illustrations on page 5.
7. Re-assemble the hoses and the swivel using mender nuts (see image below, Step 1). Put mender nut on swivels first, then push hose over swivel (see image below, Step 2). Rotate mender nut over hose clockwise until tight.

Note: Keep as many floats as possible on the long feed hoses, spaced evenly apart to hold hose up on top of water.

8. When cutting hoses, please use strong scissors or a sharp knife. Be sure to slide the floats out of the way when cutting hose.

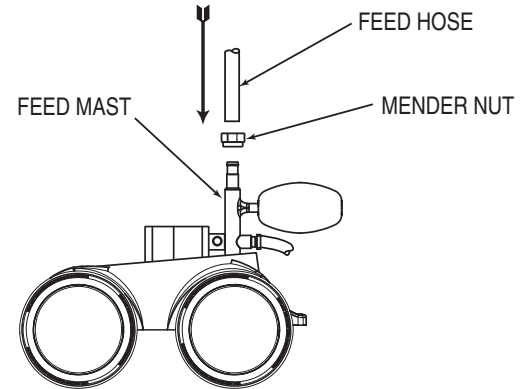


Cutting the Feed Hose, (Continued)

9. Put extra mender nut on the Kreepy Krauly® Platinum™ mast and push soft hose gently over mast at 1/2 in., turn mender nut around soft hose tight.

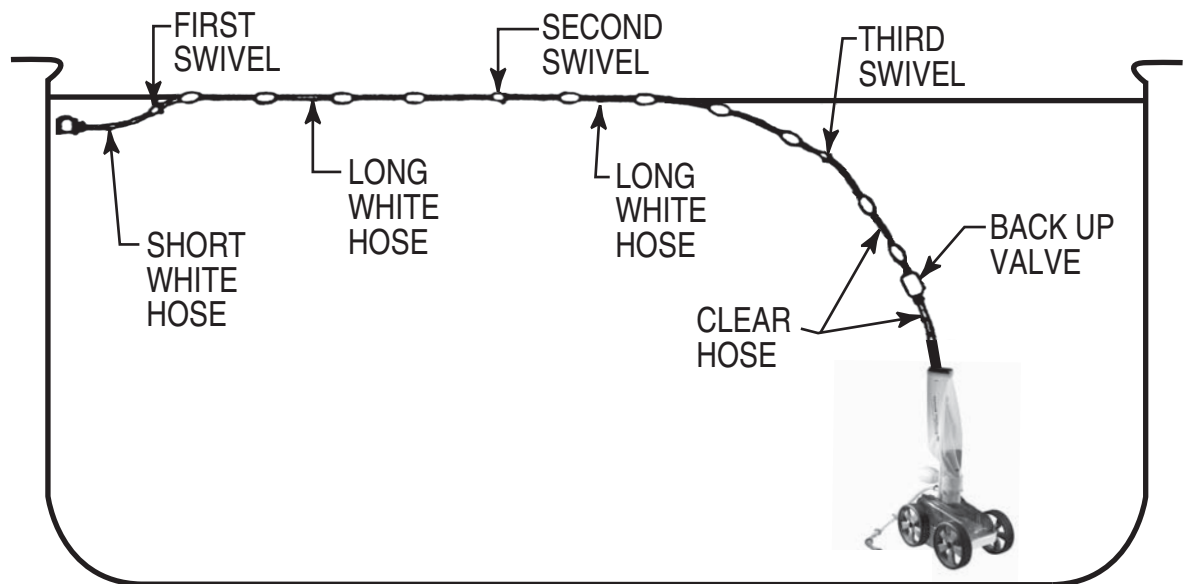
Note: The Back-Up Valve still should be 30 in. from the head of the cleaner.

10. Now take the bag, 360002/360009, out of the box and firmly twist lock the bag onto the top of the Kreepy Krauly® Platinum™ throat over rubber debris valve.



11. Review and check list: Hoses cut properly and floats evenly spaced. Mender nuts tight around swivels, back up valve, Kreepy Krauly® Platinum™ mast and wall fitting. Make sure wall fitting is securely locked into place.

12. Lower your complete Kreepy Krauly® Platinum™ assembly into your pool carefully. It should look like illustration below:



13. Go back to your equipment and turn filter pump on first (wait 30 seconds to force air out of the hose), then turn booster pump on.

14. For large pools requiring more hose length you will need to purchase one (1) additional hose (LLD45-White or LLD45PM-Grey), four (4) floats (ED10P-White or LLD10PM-Grey), one (1) swivel (ED05-White or LLD05PM-Grey), and two (2) mender nuts (ED15-White or LLD15PM-Grey).

15. Attach extra hose between long hoses using floats, swivel and mender nuts. Divide extra hose overage by three (3) this time to keep all hoses the same length.

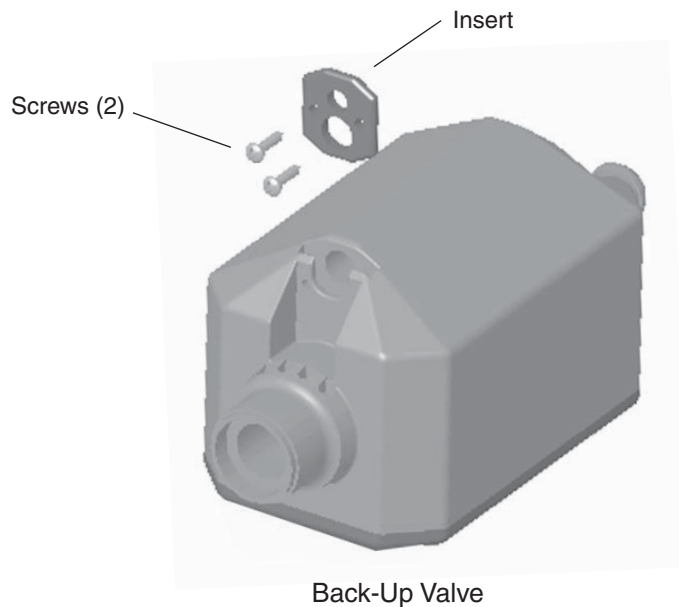
Checking Operation

When operating correctly, the Kreepy Krauly® Platinum™ will travel in a random pattern throughout the pool, vacuuming and sweeping the bottom. The climbing ability of the Kreepy Krauly® Platinum™ is dependent on the pools structure and water flow coming into the pool.

- It will perform more efficiently in pools without sharp angles or curves in the transition from the floor of the pool to the wall.
- Kreepy Krauly® Platinum™ comes with a Twist Lock Pressure Relief Valve (Wall Fitting). If the Kreepy Krauly® Platinum™ is receiving too much water pressure, the Relief Valve in the Wall Fitting will release the excess water pressure.
- Approximately every three minutes and 30 seconds the Kreepy Krauly® Platinum™ will go into a back-up mode.
- The Back-Up Valve cycle time, while in the back-up mode, is approximately 30 seconds and pulls the Kreepy Krauly® Platinum™ away from problem areas.

New Back-Up Valve Information

The Back-Up Valve Insert slides into the slot over the jet of the valve. This is secured with a stainless steel screw as show in the diagram. The insert will be set from the factory with the smaller (1/4") hole over the opening of the jet. The smaller hole is used for the Kreepy Krauly® Platinum™ cleaner. If you change the insert to the larger (3/8") hole, the Back-Up Valve will have decreased jet pressure and possibly not pull the unit backwards.



If the Kreepy Krauly® Platinum™ does not travel to all areas of the pool, turn off the booster pump and pool filtration pump and make the necessary adjustments using the instructions in the next section.

Adjusting the Kreepy Krauly® Platinum™

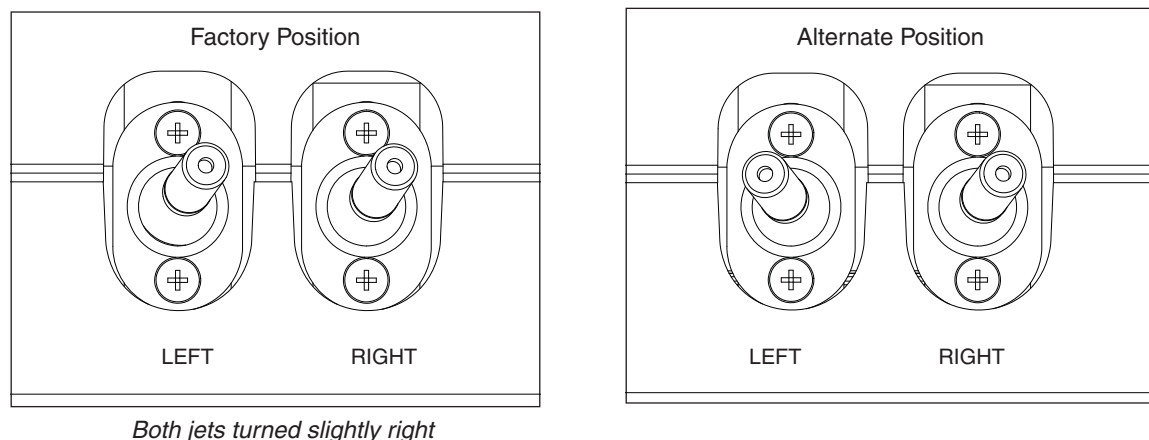
Thrust Jet Adjustment

For maximum pool cleaner performance, you may need to manually adjust the Thrust Jets due to varying pool shapes. The Thrust Jets are located in the back of the unit and determine the direction of the cleaner.

Adjust the Thrust Jets to direct the Kreepy Krauly® Platinum™ in a straight line. The factory position is set so both jets are turned slightly right. Small adjustments can have a significant effect on the cleaner movement.

- Moving thrust jets to the *right*: cleaner turns towards the *right*.
- Moving thrust jets to the *left*: cleaner turns towards the *left*.

Note: As Jets are adjusted inward, the cleaner will have more power but may not be able to travel in a straight line, as this can create too much water cross flow.



Sweep Hose Adjustment

The Sweep Hose operates in a gentle sweeping motion to prevent debris from becoming trapped in hard to reach corners of pools.

If the sweep hose motion is too fast, it can interrupt the straight line path of the cleaner. If the motion is too slow, the hose may not be able to properly clean the bottom and sides of the pool.

To increase or decrease the motion of the Sweep Hose, adjust the screw located on the Feed Mast Barb below the Ballast Float.

- To decrease sweep hose motion, turn the screw *clockwise*.
- To increase sweep hose motion, turn the screw *counter clockwise*.

Checking Wheel RPM

To determine if the cleaner is receiving the proper water pressure:

1. Turn off the booster pump, pool pump and carefully remove the Kreepy Krauly® Platinum™ from the pool.
2. Mark the front drive Tire/Wheel with a marker, or use the Logo located on the side of tire as a marker to count the rotations of the wheel per minute.
3. Have someone turn on pool pump and then booster pump while you place the Kreepy Krauly® Platinum™ in the pool just beneath the water surface.

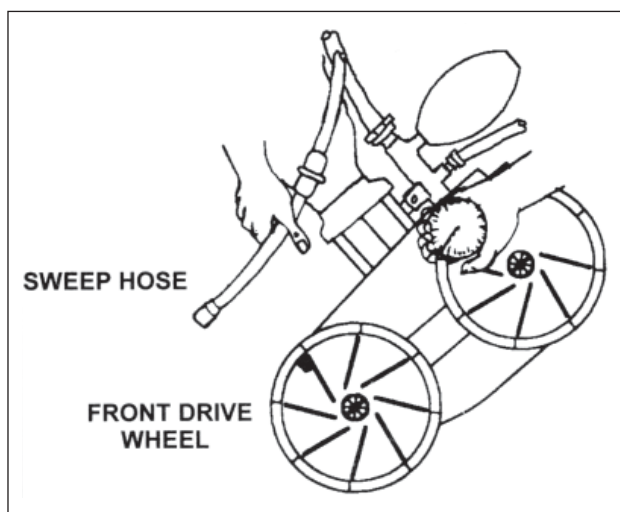
Be sure to hold onto the Sweep Hose to avoid getting wet.

4. Count the rotations of the marked wheel for exactly one minute. (Be sure the Back-Up Valve isn't cycling at this time).

The rotations will give you the Revolutions Per Minute, (RPM).

For proper performance, the Kreepy Krauly® Platinum™ operates between 34-38 RPM.

- If the RPM is below 34 then call your local Pool Professional or contact our Technical Support Department.
- If the RPM is more than 38, at the Wall Fitting unscrew the Pressure Valve slowly until the RPM falls between 34-38. *Note:* There is a limit to the wall fitting adjustment.



***If you have any additional questions,
please contact our Technical Support
Department at 1-800-831-7133.***

Section 3

Operation and Maintenance

Connecting/Disconnecting the Kreepy Krauly® Platinum™

To connect, turn off booster pump and pool pump. Twist lock the Wall Fitting clockwise into the Wall Adapter. To disconnect, unlock and twist Wall Fitting counter clockwise. The Wall Adapter should remain in the pool wall.

Turning On/Off the Kreepy Krauly® Platinum™

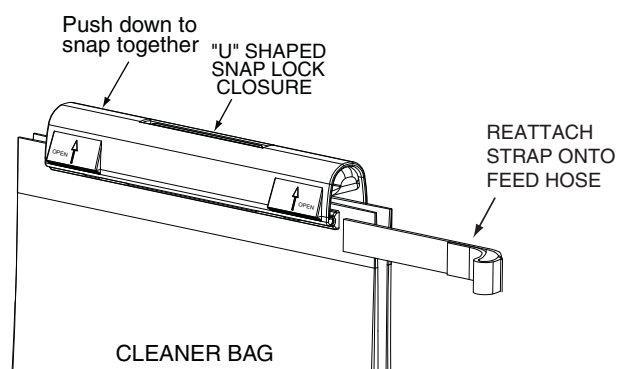
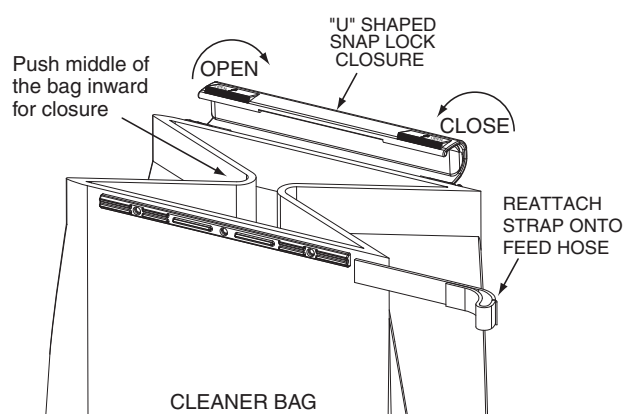
The Kreepy Krauly® Platinum™ operates off the booster pump coming from the equipment pad, and can be turned on or off by merely turning on/off your booster pump time clock.

Cleaning the Sand & Silt Bag

1. Carefully unlock the debris bag from the vacuum tube. Use your thumb to push the “U” shaped snap lock closure upward until it snaps open. Make sure to swing it away from the opening.
2. Open the bag and remove debris.
3. To close, push the middle of bag inward, as shown, and bring the edges together to make them stack like an accordion.
4. Swing the “U” shaped snap lock closure back to the closing position. Gently push on top of the “U” shaped snap lock closure to make sure it snaps into place.
5. Reattach the VELCRO® brand strap onto the feed hose. Your debris bag is ready to be reinstalled onto your cleaner.
6. Reconnect the debris bag to the vacuum tube. Do not over turn.

Note: It is easier to empty the debris bag when it is dry. A second bag may be used while the full debris bag is drying.

- If you have a lot of debris in your pool, especially after a storm, you can run your Kreepy Krauly® Platinum™ in two shorter cycles per day and empty the debris bag between cycles.
- It's best to empty the debris bag when it becomes half full. The cleaner will have better performance if the bag is not overloaded.



Periodic Maintenance

The following parts are wear items that should be checked, maintained or replaced as needed. Wear items are considered any working or moving part(s) being worn due to the use of the cleaner. Wear items are not covered under warranty.

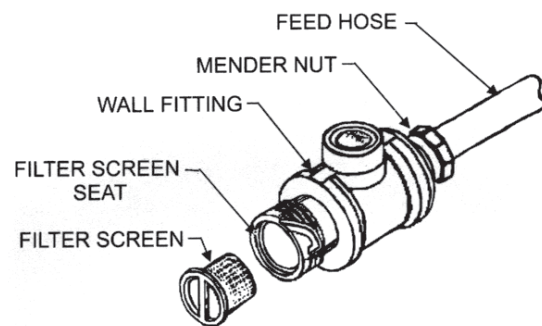
Wall Fitting Screen

Inside the wall fitting is a filter screen that acts as a secondary filter. This screen keeps debris that has passed through the pool filter, and out of the cleaner. A dirty screen can be a sign of problems in your pool filtration system and you may need to contact your local pool professional.

Note: Running the Cleaner without the filter screen can damage the Kreepy Krauly® Platinum™ and will void the warranty.

To clean the filter screen:

1. Pull the screen out from inside the Wall Fitting.
2. Rinse thoroughly and push back inside the wall fitting.
3. Whenever cleaning, back washing or repairing the filter, remove the wall fitting and flush out the dedicated line before using the Kreepy Krauly® Platinum™.



Tires & Bearings

The tires are designed to protect the bottom of your pool and provide better traction. You need to rotate or replace the tires as needed. The Wheel Bearings are warranted free of defects when shipped from Pentair Water Pool and Spa, Inc., and are considered a wear item. A good bearing will spin freely.

Roller Rings

Your Sweep Hose has a series of Roller Rings to protect the Sweep Hose. Replace the rings as needed. You can rotate the Roller Rings to prevent flat spots.

Debris Bags

Fine Mesh Sand & Silt Bag

The Kreepy Krauly® Platinum™ comes with a Sand & Silt bag for general use in all pools. We do not recommend using the fine mesh bag to pick up leaves and twigs or other large debris for they have sharp points and edges that can poke holes and eventually rip the bag.

Optional Leaf Bag

The leaf bag is a larger mesh bag made to pick up heavier debris such as leaves, twigs, acorns, etc. This bag can be helpful especially after a storm.

Note: To prolong the life of debris bags, remove cleaner from pool before adding chemicals.

Sweep Hose

The Sweep Hose is provided to help keep the bottom and sides of your pool clean. The Sweep Hose is warranted free of defects when shipped from the factory, and is considered a wear item.

Debris Valve

This valve is located under the Debris Bag, it is designed to keep the debris inside the bag. It functions like a check valve to allow the debris to only enter through the bag one way. Replacement is needed when valve begins to stiffen.

Backwashing the Pool Filter

Always disconnect the Kreepy Krauly® Platinum™ from the pool wall before cleaning or back washing the pool filter. After cleaning or back washing, let the pool filtration system run for a minimum of five minutes to flush out the return lines before reconnecting the Kreepy Krauly® Platinum™ .

Storage and Winterizing

Never leave or store the Kreepy Krauly® Platinum™ in direct sunlight. When storing the Kreepy Krauly® Platinum™ for the winter, be sure to drain all the water from it. This is important since freeze damage is not covered under the warranty. Also, remove the Wall Fitting.

Accessories

Sweep Hose Weight

If the sweep hose tends to break the surface of the water therefore squirting nearby windows or innocent bystanders, a weight can be installed to the end of the sweep hose. (Part # for Hose Weight is EH09C)

Leaf Bag (See Debris Bags #4)

Section 4

Troubleshooting

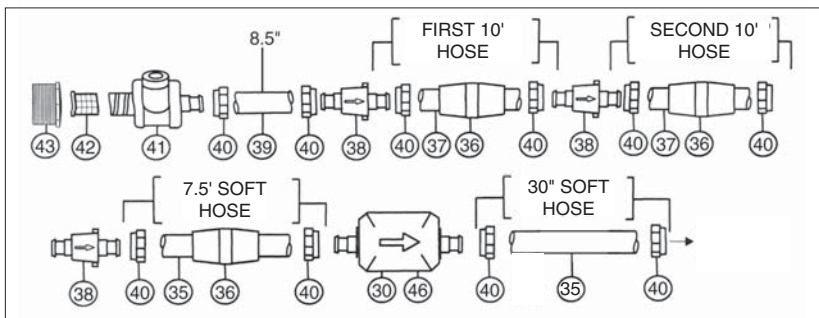
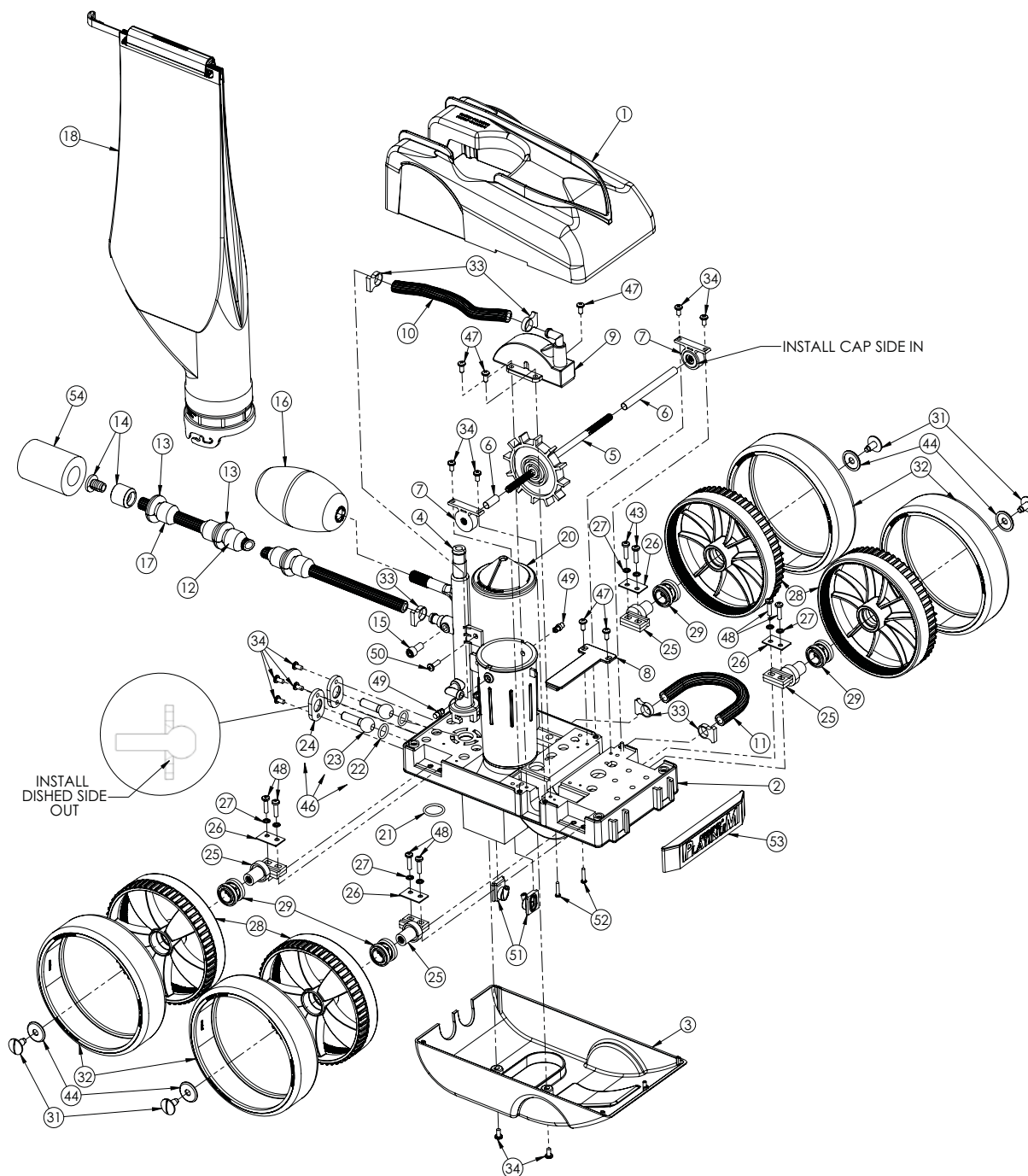
Use the following troubleshooting information to solve possible problems with your Kreepy Krauly® Platinum™.

| Problem | Corrective Action |
|--|---|
| Kreepy Krauly® Platinum™ doesn't move or moves sluggishly or hangs up on steps. | <p>Be sure filter pump and booster pump are on and working properly. (You may need to clean your pool filter system).</p> <p>Check the Wall Fitting screen for debris and rinse clean.</p> <p>Check wheel RPM (See page 10).</p> <p>Determine if the Back-Up Valve is cycling. (Hold the valve out of the water and the jet should come on for approx. 30 seconds and shut off for approx. 3 minutes and 30 seconds).</p> <p>Check all the Hose connections and Swivels for leaks that can cause loss of water pressure.</p> <p>Check debris that may be jammed in the gear teeth on one of the front drive wheels. Gently rotate the front wheels backward to dislodge debris.</p> |
| Kreepy Krauly® Platinum™ falling over or lying on it's side. | <p>This usually indicates the bag needs to be emptied.</p> <p>See if the ballast float is leaking by checking for water. Unscrew by pull back while turning counter-clockwise. Shake it and listen for water in float.</p> |
| Kreepy Krauly® Platinum™ will not back up. | <p>Determine if the Back-Up Valve is cycling. (Hold the valve out of the water and the jet should come on for approx. 30 seconds, and shut off for approx. 3 minutes and 30 seconds).</p> <p>Check the wheel RPM (See page 10).</p> <p>Empty the debris bag if full or half full.</p> |
| Kreepy Krauly® Platinum™ will not climb. | <p>Brush sides of the pool wall (even if no algae is present).</p> <p>Check the wheel RPM (See page 10).</p> <p>Reposition the Thrust Jet. (See page 9).</p> <p><i>Note:</i> The climbing ability of the Kreepy Krauly® Platinum™ is dependent on the pool's shape and available water pressure. It will climb better in pools without sharp angles or in the transition from the pool floor to the pool wall.</p> |
| Hoses tangling. | <p>Check the length of the Feed Hose, they may be too long. (See pages 4-7).</p> <p>Check to see that the Feed Hose is floating on top of surface. Check hose floats for even spacing.</p> <p>Twist the Hose Swivels to see if they spin freely and replace any that will not.</p> <p>Lay out the Feed Hose straight in the full sun to remove any memory.</p> |
| Sweep Hose is sucked into the cleaner. | <p>Adjust the Sweep Hose using the Adjustment Screw located on the bottom of the Swivel Mast. Turn Adjustment Screw clockwise until the Sweep Hose is in a gentle sweeping motion.</p> |
| Booster Pump very noisy. | <p>Make sure Wall Fitting is mounted in pool wall correctly.</p> <p>Make sure Pool Filtration system is working properly.</p> <p>Contact your local Pool Professional -possible Booster Pump problem.</p> |
| Sweep Hose breaks surface and sprays nearby windows, patio decks and bystanders. | <p>Adjust Sweep Hose to a gentle sweeping motion.</p> <p>Add optional Sweep Hose weight (See page 13).</p> |

Section 5

Replacement Parts

Kreepy Krauly® Platinum™ Exploded View



Replacement Parts List

| Diagram # | Part # | Description | Quantity |
|-----------|----------|--|----------|
| 1 | LLU5PM | Top Cover - Grey | 1 |
| 2 | LLU145N | Main Frame - White | 1 |
| 2 | LLU145NG | Main Frame - Grey | 1 |
| 3 | EU10N | Bottom Cover - White | 1 |
| 3 | LLU10NG | Bottom Cover - Grey | 1 |
| 4 | LLU6 | Feed Mast w/O-Ring - White | 1 |
| 4 | LLU6G | Feed Mast w/O-Ring - Grey | 1 |
| 5 | EC86 | Turbine Drive Shaft - Complete | 1 |
| 6 | EC83 | Turbine Spacers | 1 |
| 7 | EC80 | Turbine Bearings - Grey | 2 |
| 8 | EA40 | Turbine Shaft Shield - White | 1 |
| 8 | LLA40G | Turbine Shaft Shield - Grey | 1 |
| 9 | EC110 | Turbine Cover w/Elbow - White | 1 |
| 9 | LLC110PM | Turbine Cover w/Elbow - Grey | 1 |
| 10 | EX120 | Turbine Cover Hose - 9" length - White | 1 |
| 10 | LLX120 | Turbine Cover Hose - 9" length - Grey | 1 |
| 11 | EC120 | Venturi Jet - Hose - 7 3/4" length - White | 1 |
| 11 | LLC120G | Venturi Jet - Hose - 7 3/4" length - Grey | 1 |
| 12 | EB5L | Sweep Hose - Complete - White | 1 |
| 12 | LLB5G | Sweep Hose - Complete - Grey | 1 |
| 13 | EB10G | Sweep Hose - Wear Ring | 5 |
| 14 | EB25 | Sweep Hose - Jet w/Collar - White | 1 |
| 14 | LLB25PM | Sweep Hose - Jet w/Collar - Grey | 1 |
| 15 | EB20 | Sweep Hose - Adjustment Screw - White | 1 |
| 15 | LLB20G | Sweep Hose - Adjustment Screw - Grey | 1 |
| 16 | EA20 | Ballast Float - White | 1 |
| 16 | LLA20PMG | Ballast Float - Grey | 1 |
| 17 | EH07 | Sweep Hose - Hose Sleeve - White | 4 |
| 17 | LLH07PM | Sweep Hose - Hose Sleeve - Grey | 4 |
| 18 | EU15 | Coarse Mesh Bag - White Collar | 1 |
| 18 | EU15G | Coarse Mesh Bag - Grey Collar | 1 |
| 19 | 360002 | Fine Mesh Bag - White | 1 |
| 19 | 360009 | Fine Mesh Bag - Grey | 1 |
| 20 | EU9 | Debris Valve | 1 |
| 21 | EU7 | O-Ring for Feed Mast | 2 |
| 22 | E18 | O-Ring for Thrust Jet | 2 |
| 23 | 360027 | Thrust Jets - White | 2 |
| 23 | 360028 | Thrust Jets - Grey | 2 |
| 24 | EC135 | Thrust Jet Plates - White | 2 |
| 24 | LLC135G | Thrust Jet Plates - Grey | 4 |
| 25 | EC65 | Axle - Large Wheels | 4 |
| 26 | EC70 | Axle Plate | 8 |
| 27 | EC45 | Axle - Lock Washer | 4 |
| 28 | 370406Z | Wheel w/out Bearings - Grey | 4 |

Replacement Parts List, (Continued)

| Diagram # | Part # | Description | Quantity |
|-----------|----------|---|----------|
| 29 | EC60 | Wheel Bearings Only - White | 2 |
| 30 | E10 | Back-Up Valve - White | 1 |
| 30 | LL10PM | Back-Up Valve - Grey | 1 |
| 31 | LLC55PMB | Wheel Screw - Plastic - Black | 5 |
| 32 | 370405Z | Wheel - Rubber Tire - Black | 1 |
| 33 | EB15 | Hose Clamp | 5 |
| 34 | EC40 | Screw | 8 |
| 35 | LLD50 | Feed Hose - clear soft - 10' | 1 |
| 35 | LLD50PM | Feed Hose - Grey soft - 10' | 1 |
| 36 | ED10P | Float - Feed Hose - White | 10 |
| 36 | LLD10PM | Float - Feed Hose - Grey | 10 |
| 37 | LLD45 | Feed Hose - 10' - White | 2 |
| 37 | LLD45PM | Feed Hose - 10' - Grey | 2 |
| 38 | ED05 | Swivel - Feed Hose - White | 2 |
| 38 | LLD05PM | Swivel - Feed Hose - Grey | 2 |
| 39 | LLU1 | Adapter Hose - 8-1/2" - White | 1 |
| 39 | LLU1PM | Adapter Hose - 8-1/2" - Grey | 1 |
| 40 | ED15 | Mender Nut - plastic - White | 8 |
| 40 | LLD15PM | Mender Nut - plastic - Grey | 8 |
| 41 | LLW22PM | Wall Fitting - Grey | 1 |
| 41 | EW22 | Wall Fitting - White | 1 |
| 41 | LL25PM | Pressure Relief Valve - Grey | 1 |
| 41 | E25 | Pressure Relief Valve - White | 1 |
| 42 | E24 | Screen - Wall Fitting | 1 |
| 43 | LL23PM | Quick Disconnect Adapter - Grey | 1 |
| 43 | E23 | Quick Disconnect Adapter - White | 1 |
| 44 | EC64 | Wheel - Plastic Washer | 2 |
| 45 | EG15 | Gears - for Back-Up Valve | 1 |
| 46 | 360127 | Thrust Jet Repair Kit includes: (White) E18, EC130, EC135 | 1 |
| 46 | 360128 | Thrust Jet Repair Kit includes: (Grey) E18, LLC130G, LLC135G | 1 |
| 47 | EU30 | Screw for EA40 or LLA40G and EC110 or LLC110PM | 5 |
| 48 | EU76 | Axle Bolt | 8 |
| 49 | EU147 | Snap Fit Vac Tube Posts - White | 2 |
| 49 | LLU147G | Snap Fit Vac Tube Posts - Grey | 2 |
| 50 | EU79 | Nut & Bolt - Feed Mast to Vac Tube | 1 |
| 51 | EU80 | Venturi Jet - White | 2 |
| 51 | LLU8G | Venturi Jet - Grey | 2 |
| 52 | EU80 | Screw - Cover to Frame | 2 |
| 53 | LLU81PM | Front Bumper - White | 1 |
| 53 | LLU81PMG | Front Bumper - Grey | 1 |
| 54 | 370017 | Sweep Hose - Scrubber | 1 |

NOTES

NOTES

SAVE THESE INSTRUCTIONS



P/N 370404 Rev. A 9/21/11