

LiftOperator® Intelligent Control

A standard feature with all S.R.Smith ADA compliant pool lifts, the LiftOperator is the most technologically advanced pool lift control on the market.

- Emergency stop button sounds an audible alarm and can stop the lift
- Bright LED color-coded indicator shows battery life
- Service notification light meets ADA guidelines for scheduled maintenance, promoting regular service checks (based on 3–4 months average usage)
- USB port transfers usage data to a USB memory stick for review on PC
- Optional activation key to prevent unauthorized use



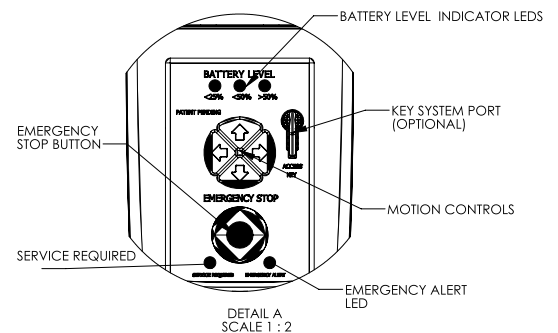
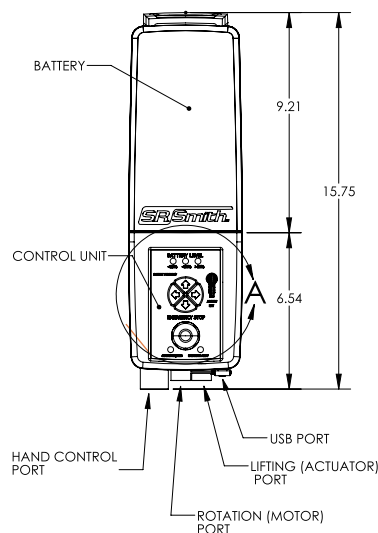
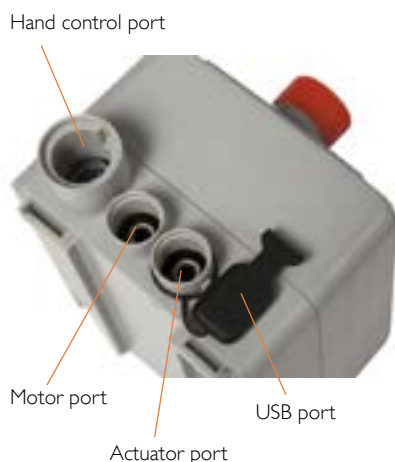
Model No.	Description	Shipping			
		Weight	Length	Width	Height
400-7001	2-Button Control Box	1.5 lbs 0.7kg	16" 40.6cm	5" 12.7cm	5" 12.7cm
400-7001K	2-Button Control Box & Activation Key				
400-7000	4-Button Control Box				
400-7000K	4-Button Control Box & Activation Key				

Notes:

- 2-Button control for multiLift and ML300
- 4-Button control for PAL, PAL2, Splash! and aXs lifts

Optional Parts & Accessories:

- 1001495 Battery (standard)
- 1001530 Charger
- 910-1000 Cover, blue
- 1001601 2-Button Hand Control
- 1001600 4-Button Hand Control
- 1001515 Activation Keys (set of 4)



LiftOperator® Upgrade Kits

Description	Part No.
4 button	1001550
4 button keyed	1001555
2 button	1001540
2 button keyed	1001545

Upgrade Kits — from LINAK to LiftOperator;
Upgrade Kit includes: Mounting Plate, Lock, Battery, Charger and LiftOperator Control Unit