



PUREWHITE IN-GROUND LED LIGHT FIXTURE

PureWhite LED Light Fixtures provide an LED lighting alternative to inefficient incandescents for installations requiring a full fixture. They significantly reduce energy consumption and maintenance costs. Plus, all PureWhite LED Light Fixtures feature a superior rugged construction that is unmatched in the industry.

PureWhite Advantages:

- \$33 a year to operate
- Uses less energy – up to 90%*
- Lasts up to 50,000 hours – 20x longer life**
- Enhances pool water appearance – looks clearer and cleaner
- Enhances dark finish pools - commercial and residential
- Installs easily – compact fixture depth allows bottom catch visibility from pool deck

*HI Series compared to incandescent lamps

**Compared to incandescent lamps

Polished (shown)
or Matte faceplate available.



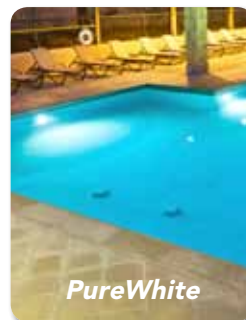
Pool LED
Light Fixture



SpaLED
Light Fixture

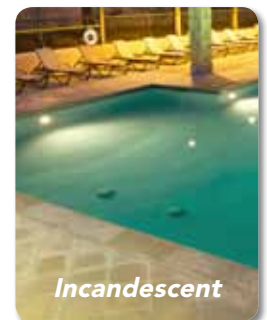


IMMEDIATE SAVINGS Instantly reduces energy and maintenance expenses.



PureWhite

VS.



Incandescent

THE PUREWHITE DIFFERENCE:

Custom Etched Optical Lens Provides Superior Light Diffusion

Contemporary Housing and Faceplate Styling

Industry Leading 3-year Warranty

Cool White LEDs Boost Clarity and "Blue Water Look"



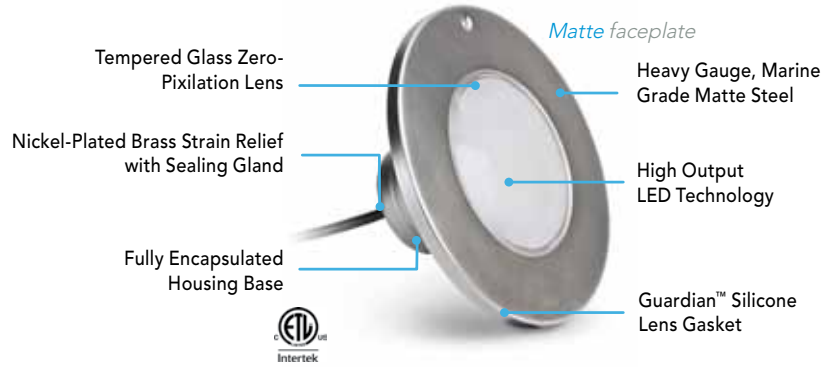
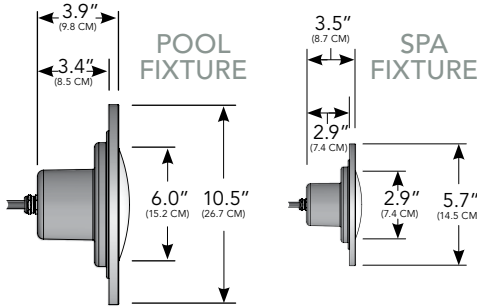
For more specific ordering information scan QR code*

pureWHITE™
LED Light Fixture



"INDUSTRIAL GRADE. ELEGANT DESIGN."™

DIMENSIONS



SELECTING YOUR PUREWHITE LED LIGHT FIXTURE

ANNUAL SAVINGS COMPARISON

	LED POOL LIGHT FIXTURE		INCANDESCENT	
	Li Series: 39W	Hi Series: 58W	300W	500W
Life Span (hrs)	50,000	50,000	2,500	2,500
Life Span (yrs)*	11.42	11.42	.57	.57
Annual Energy Cost**	\$22	\$33	\$171	\$285
Annual Maintenance Cost ***	\$0	\$0	\$219	\$219
Total Annual Usage Cost	\$22	\$33	\$390	\$504
		Li Series Savings	\$368	
		Hi Series Savings		\$471

Equivalent Chart

Incandescent	LED Pool Light Fixture
300W	Li Series: 39W 2,400 Lumens
500W	Hi Series: 58W 3,900 Lumens
500W+ Deep Water Pools	Xi Series: 87W 4,500 Lumens

*Based on 12 hours of usage per day, 365 days per year. **Based on electricity cost of \$0.129 per KWh. ***Based on replacing bulb and gasket 1.75 times at \$50 per replacement and one hour of labor per replacement at \$75/hr.

Ordering Information

PUREWHITE FIXTURE - POOL SERIES

Part Number Voltage Cord Length (ft) Faceplate
 LPL- **XX** - **XX** - **XX** - **X**
 F1W=Li 120,12 30, 50,100, 150 P=Polished
 F3W=Hi M=Matte
 F5W=Xi

Power Consumption: Li=39W, Hi=58W, Xi=87W
 Niche Compatibility:
 Pentair®: 78210400, 78210500, 78210600, 78210700, 79206700
 Hayward®: SP0604C, SP0600U
 Jandy®: PLNICLRG, SSNICLRG1R, SSNICLRG1S
 Jacuzzi®: 94131234

PUREWHITE FIXTURE - SPA SERIES

Part Number Voltage Cord Length (ft) Faceplate
 LPL-S1W - **XX** - **XX** - **X**
 120,12 30, 50,100, 150 P=Polished
 M=Matte

Power Consumption: 13W
 Niche Compatibility:
 Pentair®: 78244200, 78244300, 78243200, 78243300, 79206600
 Hayward®: SP0606C, SP0610C
 Jandy®: PLNICSM, SSNICSM1R, SSNICSM1S

J&J ELECTRONICS, INC. • 6 Bendix, Irvine, CA 92618 USA • 800.735.4553 • 949.334.8700 • www.purewhitepoollight.com

*To scan the QR code, download a QR code reader from the APP store on your mobile device.

© 2013 J&J Electronics, Inc. All rights reserved. PureWhite and "Industrial Grade. Elegant Design." are a trademark of and manufactured by J&J Electronics, Inc. The J&J Electronics logo is a trademark of J&J Electronics, Inc. All registered and trademarked brands and names are the property of their respective companies. REV 020713

Go Green Eco-Friendly

