



INSTALLATION AND OPERATION MANUAL

English | Français | Español

Jandy® Pro Series JE Heat Pump



! WARNING

FOR YOUR SAFETY - This product must be installed by a licensed HVAC technician certified in heat pump repair and maintenance by the jurisdiction in which the product will be installed where such state or local requirements exist. The technician must possess and comply with all certifications and regulations regarding the purchasing, handling, transportation and reclamation of R410A refrigerant. In the event no such state or local requirement exists, the installer or maintainer must be a professional with sufficient experience in pool equipment installation and maintenance so that all of the instructions in this manual can be followed exactly. Before installing this product, read and follow all warning notices and instructions that accompany this product. Failure to follow warning notices and instructions may result in property damage, personal injury, or death. Improper installation and/or operation can create an electrical hazard which can cause serious injury, property damage, or death. Improper installation and/or operation will void the warranty.

HO408600 Rev C



Table of Contents

Section 1. General Information	3	5.3	Operating Features of Hybrid Units with Optional Chiller	19	
1.1	Introduction	3	5.4	User Setup Options	20
1.2	Consumer Information and Safety	3	5.5	Set Point Lockout.....	21
1.3	Warranty	4	5.6	Water Pressure Switch Adjustment.....	21
1.4	Codes and Standards	4	Section 6. General Maintenance	21	
1.5	Technical Assistance.....	4	6.1	Water Chemistry	21
1.6	Materials Needed For Installation	4	6.2	Winterizing	22
1.7	Specifications.....	5	6.3	Spring Start-Up	22
Section 2. Installation Instructions	5	6.4	Inspection and Service	22	
2.1	General Information	5	Section 7. Professional Maintenance and Service	23	
2.2	Location Requirements.....	5	7.1	Heat Pump Design.....	23
Section 3. Water Connections	8	7.2	Heat Pump Components and Operation.....	23	
3.1	Plumbing Layout	8	Section 8. Troubleshooting	25	
3.2	Water Connections at Heat Pump	8	8.1	Troubleshooting Guide.....	25
3.3	Check Valve Installation.....	8	8.2	Diagnostics	25
3.4	Multiple Unit Installation.....	9	Section 9. Replacement Parts	26	
Section 4. Electrical Connections	9	9.1	Ordering Information.....	26	
4.1	General Information	9	9.2	Zodiac JE Heat Pumps Parts List.....	26
4.2	Main Power	10	9.3	Zodiac JE1500 Heat Pumps Exploded View ...	27
4.3	Bonding.....	15	9.4	Zodiac JE2000 Heat Pumps Exploded View ...	28
4.4	Optional Remote Controls	15	9.5	Zodiac JE Single Phase Electric Box.....	29
Section 5. Operation.....	18	9.6	Zodiac JE Three Phase Electric Box	29	
5.1	Initial Start-up Precautions.....	18			
5.2	Operating the Controller	18			

Figures and Tables

Figure 1.	Zodiac® JE Heat Pumps Dimensions	7	Figure 14.	Main Control Panel	20
Figure 2.	Anchor Clamp Positions.....	9	Figure 15.	Winterizing the JE Heat Pump	22
Figure 3.	Anchor Clamp Installation	9	Figure 16.	Zodiac JE1500 Heat Pumps Exploded View (JE1500 Shown).....	27
Figure 4.	Standard Plumbing Layout.....	11	Figure 17.	Zodiac JE2000 Heat Pumps Exploded View (JE2000 Shown).....	28
Figure 5.	Plumbing For Heating System Combinations	11	Figure 18.	Zodiac JE Heat Pump Single Phase Electric Box	29
Figure 6.	Two (2) Heat Pump Plumbing Layout	12	Figure 19.	Zodiac JE Heat Pump Three Phase Electric Box	29
Figure 7.	Four (4) Heat Pump Plumbing Layout	12	Table 1.	JE Heat Pump Technical Specifications	6
Figure 8.	JE Single-Phase Electrical Supply Wiring Diagram	13	Table 2.	Heat Pump Clearances	7
Figure 9.	JE 3-Phase Electrical Supply Wiring Diagram	14	Table 3.	Optimal Water Chemistry Ranges.....	23
Figure 10.	JE Heat Pump Front View.....	15	Table 4.	Heat Pump Troubleshooting Guide.....	24
Figure 11a.	Remote Pool-Off-Spa Connection (3-Wire Connection).....	16	Table 5.	Heat Pump Diagnostics	25
Figure 11b.	AquaLink RS or Remote TSTAT Connection (2-Wire Connection).....	16			
Figure 12.	AquaLink® RS to JE Heat Pump	17			
Figure 13.	JE Heat Pump Connection to Power Center	18			

Section 1. General Information

1.1 Introduction

This manual provides installation and operation instructions for the Jandy Pro Series JE models of heat pumps. Read these installation and operation instructions completely before proceeding with the installation. Consult Zodiac Pool Systems, Inc. (“Zodiac”) with any questions regarding this equipment. To obtain additional copies of this manual contact us at 800-822-7933.

Zodiac Pool Systems, Inc.
2620 Commerce Way
Vista, CA 92081 USA

The Jandy Pro Series JE heat pump gets electrical power from an external source and provides a dual digital thermostat control system for pool/spa combinations or preheat convenience.

This heat pump is specifically designed for heating fresh water swimming pools and spas. Do not use it as a general service heater. Consult your dealer for the appropriate Zodiac® products for these applications.

NOTE “Fresh water swimming pools and spas” include systems that utilize saltwater chlorine generator units, such as the Zodiac AquaPure® Electronic Chlorine Generator. Please ensure that the salt content of the pool/spa *does not exceed* 4500 ppm and water flow rate is within 30-70 gpm (110-265 lpm).

ATTENTION

Installation and service must be performed by a qualified installer or service agency.

To the Installer:



After installation, these instructions must be given to the homeowner or left on or near the heat pump.

To the User:

This manual contains important information that will help you in operating and maintaining this heat pump. Please retain it for future reference.

1.2 Consumer Information and Safety

The Jandy Pro Series JE series of heat pumps are designed and manufactured to provide many years of safe and reliable service when installed, operated and maintained according to the information in this manual and the installation codes referred to in later sections. Throughout the manual, safety warnings and cautions are identified by the “⚠” symbol. Be sure to read and comply with all of the warnings and cautions.

Spa/Hot Tub Safety Rules

⚠ WARNING

The U.S. Consumer Product Safety Commission warns that elevated water temperature can be hazardous. Consult heater operation and installation instructions for water temperature guidelines before setting temperature.

⚠ WARNING

The following “Safety Rules for Hot Tubs,” recommended by the U.S. Consumer Product Safety Commission, should be observed when using the spa.

⚠ WARNING

Spa or hot tub water temperature should never exceed 104°F (40°C). One hundred degrees Fahrenheit (100°F [38°C]) is considered safe for a healthy adult. Special caution is recommended for young children.

⚠ WARNING

The drinking of alcoholic beverages before or during spa or hot tub use can cause drowsiness which could lead to unconsciousness, and subsequently result in drowning.

⚠ WARNING

Pregnant women take note! Soaking in water above 102°F (38.5°C) can cause fetal damage during the first three (3) months of pregnancy (which could result in the birth of a brain-damaged or deformed child). If pregnant women are going to use a spa or hot tub, they should make sure the water temperature is below 100°F (38°C) maximum.

⚠ WARNING

The water temperature should always be checked with an accurate thermometer before entering a spa or hot tub. Temperature controls may vary by as much as 1F° (1°C).

⚠ WARNING

Persons with a medical history of heart disease, diabetes, circulatory or blood pressure problems should consult their physician before using a hot tub or spa.

⚠ WARNING

Persons taking any medication which induces drowsiness (e.g., tranquilizers, antihistamines, or anticoagulants) should not use spas or hot tubs.

⚠ WARNING

Prolonged immersion in hot water can induce hyperthermia.

⚠ WARNING

Hyperthermia occurs when the internal body temperature reaches a level several degrees above the normal body temperature of 98.6°F (37°C). Symptoms include dizziness, fainting, drowsiness, lethargy, and an increase in the internal body temperature. The effects of hyperthermia include:

- Lack of awareness of impending hazard
- Failure to perceive heat
- Failure to recognize need to leave spa
- Physical inability to leave spa
- Fetal damage in pregnant women
- Unconsciousness resulting in a danger of drowning

Swimming Pool Energy Saving Tips

It is important to note that a heat pump will not heat a pool as fast as a large gas or electric pool heater. If the pool water is allowed to cool significantly, it may take several days to return to the desired swimming temperature. For weekend use, it is *more economical* to maintain the pool water temperature at or near your desired swimming temperature. If you do *not* plan to use your pool for a prolonged period, then you might choose to turn the heat pump completely off *or* decrease the temperature setting of the control several degrees to minimize energy consumption.

Zodiac offers the following recommendations to help conserve energy and minimize the cost of operating your heat pump without sacrificing comfort.

1. The American Red Cross recommends a maximum water temperature of 78°F (25°C). Use an accurate pool thermometer. A difference of 4°F (2°C), between 78°F and 82°F (26°C and 28°C), will significantly increase energy consumption.
2. Carefully monitor the water temperature of your pool in the summertime. You can reduce heat pump usage due to warmer air temperatures.
3. During the winter or when on vacation for longer than a week, turn off the heat pump.
4. Find the proper setting on the heat pump temperature control and use the Set Point Lockout or lock the cover on the heat pump controller to discourage further adjustments.
5. Set the pump time clock to start the pump no earlier than 6:00 AM during the pool heating season. This is the time when nightly heat loss balances.
6. Where possible, shelter the pool from prevailing winds with well-trimmed hedges or other landscaping, cabanas, or fencing.

7. The use of an automatic pool cover, if installed, provides a valuable safety feature, reduces heat loss, conserves chemicals, and reduces the load on filtration systems..
8. The use of a solar blanket can reduce the heat loss caused by evaporation on the surface area of the pool.

1.3 Warranty

The Jandy Pro Series JE heat pump is sold with a limited factory warranty.

Make all warranty claims to your Zodiac® dealer or directly to Zodiac. Claims must include the heat pump serial number and model (this information can be found on the rating plate), installation date, and name of the installer. Shipping costs are not included in the warranty coverage.

The warranty does not cover damage caused by improper assembly, installation, operation, winterizing, field modification, or failure to earth bond and properly ground the unit. Any changes to the heat pump, evaporator, heat exchanger, wiring, or improper installation may void the warranty.

1.4 Codes and Standards

The Jandy Pro Series JE heat pump is listed by ETL® as complying with the latest edition of the “UL Standard for Safety for Heating and Cooling Equipment”, UL 1995 and CSA C22.2 No. 236.

All Zodiac heat pumps must be installed in accordance with the local building and installation codes as per the utility or authority having jurisdiction. All local codes take precedence over national codes. In the absence of local codes, refer to the latest edition of the National Electrical Code® (NEC®) in the United States and the Canadian Electrical Code (CEC®) in Canada for installation.

1.5 Technical Assistance

Consult the Zodiac technical support department or your local Zodiac dealer with any questions or problems involving your Zodiac equipment. An experienced technical support staff is ready to assist you in assuring the proper performance and application of Zodiac products. For technical support call the Zodiac technical support department at (800) 822-7933.

1.6 Materials Needed For Installation

The following items are needed and are to be supplied by the installer for *all* heat pump installations:

1. Plumbing connections (2”).
2. Level surface for proper drainage. (See equipment pad for pitch requirements)
3. Suitable electrical supply line. See rating plate on unit for electrical specifications. A junction box is

not needed at the heat pump; connections are made inside of the heat pump electrical compartment. Conduit may be attached directly to the heat pump jacket.

- NOTE** Flex conduit is recommended for connecting the electrical supply wires to the heat pump so that the front panel may be removed easily for servicing.
4. Electric cutout switch that will interrupt all power to the unit. This switch *must* be within line of sight of the heat pump.
 5. Watertight conduit to run the electrical supply line.

Recommended: Zodiac recommends installing isolation valves on the inlet and outlet water connections for ease of serviceability.

1.7 Specifications

Suitable for indoor and outdoor use. Clearances shown in Table 2 must be adhered to.

Water Pipe/Heater Connection

Plastic 2" PVC (Unions included)

Flow Rate

Maximum	70 gpm (265 lpm)
Optimum	60 gpm (230 lpm)
Minimum	20 gpm (76 lpm)

Maximum Working Water Pressure

75 psi

Electrical Supply

Voltage Requirements	
1-Phase	230 VAC 60Hz
3-Phase	230 VAC 60Hz (Model dependent)

Maximum Working Refrigerant Pressure

600 PSI

Dimensions

See Figure 1 for heat pump’s dimensions and for dimensions to critical connections.

Technical Specifications

See Table 1 for the Jandy Pro Series JE heat pump technical specifications.

Section 2. Installation Instructions

2.1 General Information

Install the Zodiac® heat pumps in accordance with the procedures in this manual, local codes and ordinances, and in accordance with the latest edition of the appropriate national code. (See Section 1.4, “Codes and Standards”.) Correct installation is required to assure safe operation. The requirements for Zodiac heat pumps

include the following:

1. Field assembly (if required).
2. Appropriate site location and clearances.
3. Sufficient air ventilation.
4. Proper electrical wiring.
5. Adequate water flow.

This manual provides the information needed to meet these requirements. Review all application and installation procedures completely before continuing the installation.

2.2 Location Requirements

NOTE Indoor installations require special considerations for condensate drainage and venting the cold air produced by the heat pump. Contact the Zodiac technical support department at (800) 822-7933.

⚠ CAUTION

When pool equipment is located below the pool surface, a leak from any component can cause large scale water loss or flooding. Zodiac cannot be responsible for such water loss or flooding or resulting damage.

Avoid placing the heat pump in locations where it can cause damage by water or condensate leakage. If this is not possible, provide a suitable drain pan to catch and divert any leakage.

All criteria given in the following sections reflect minimum clearances. However, each installation must also be evaluated, taking into account the prevailing local conditions such as proximity and height of walls, and proximity to public access areas.

Clearances

The heat pump must be placed to provide clearances on all sides for maintenance and inspection. See Table 2. Access in front of the heat pump of 24” (60 cm) provides adequate room for serviceability.

If the heat pump is to be installed in a garage or under a vertical overhang, the unit must have a minimum of 5 feet (1.5 meters) clearance from the top of the heat pump.

In the U.S., the heat pump must be installed at least 5 feet (1.5 meters) from the inside wall of the pool or spa unless the

Table 1. Jandy Pro Series JE Heat Pump Technical Specifications

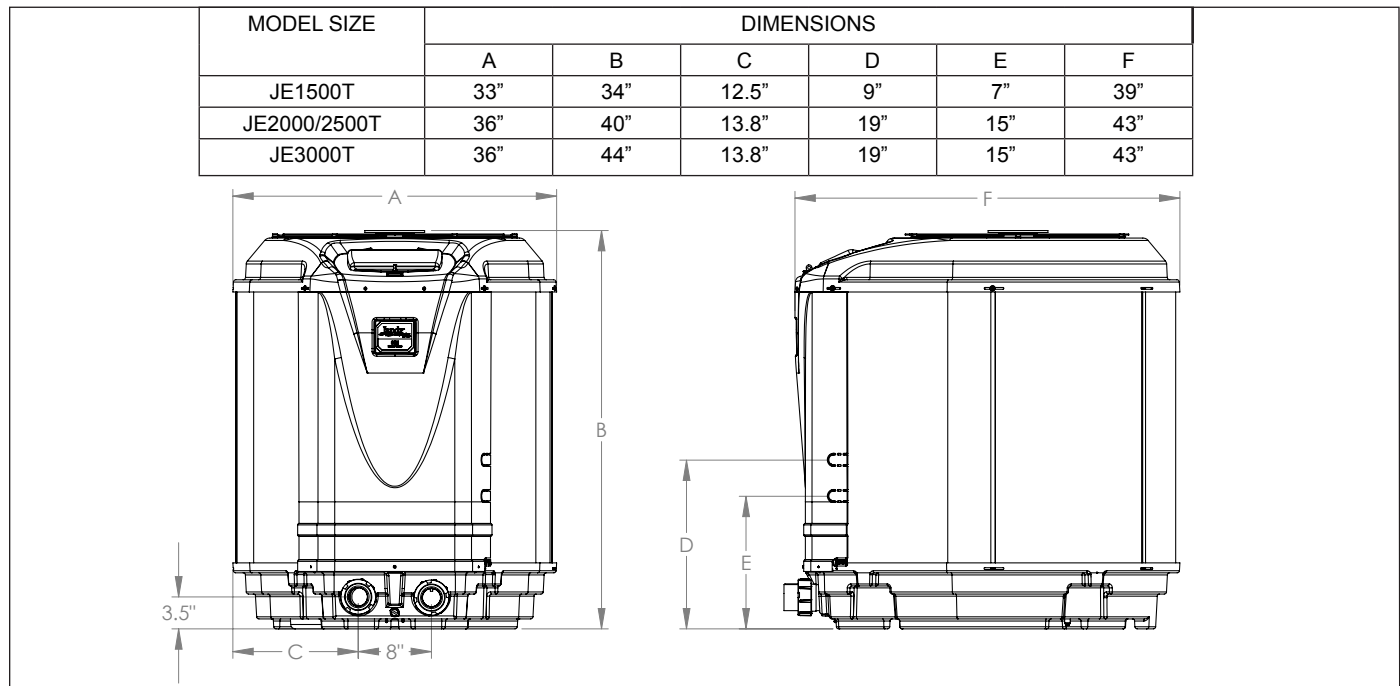
MODEL	JE1500T	JE2000T	JE2500T	JE2500T-3	JE3000T	JE3000TR	JE3000T3	JE3000TR3
VOLTAGE	230V/60HZ	230V/60HZ	230V/60HZ	230V/60HZ/3	230V/60HZ	230V/60HZ	230V/60HZ/3	230V/60HZ/3
OUTPUT*	72,000 BTUs	108,000 BTUs	119,000 BTUs	137,000 BTUs	137,000 BTUs	137,000 BTUs	137,000 BTUs	137,000 BTUs
INPUT*	3.83 kW	5.03 kW	5.34 kW	6.37 kW	6.37 kW	6.37 kW	6.37 kW	6.37 kW
COP*	5.5	6	6.2	6.3	6.3	6.3	6.3	6.3
OUTPUT, STANDARD RATING CONDITIONS**	67,000 BTUs	92,000 BTUs	106,000 BTUs	127,000 BTUs	127,000 BTUs	127,000 BTUs	127,000 BTUs	127,000 BTUs
COP, STANDARD RATING CONDITIONS**	5.2	5.7	5.6	5.9	5.9	5.9	5.9	5.9
OUTPUT, LOW AMBIENT**	46,000 BTUs	64,000 BTUs	74,000 BTUs	86,000 BTUs	86,000 BTUs	86,000 BTUs	86,000 BTUs	86,000 BTUs
COP, LOW AMBIENT**	4.0	4.0	4.0	4.2	4.2	4.2	4.2	4.0
RLA (RUNNING LOAD AMPS)	19.87A	30.77A	32.05A	23.21A	32.05A	32.05A	25.00A	25.00A
LRA (LOCKED ROTOR AMPS)	105A	178A	148A	164A	185A	185A	164A	164A
MINIMUM CIRCUIT AMPACITY	26.14A	40.21A	41.81A	30.76A	41.81A	41.81A	33.0A	33.0A
MAX OVER CURRENT PROTECTION***	45A	60A	60A	45A	60A	60A	50A	50A
HEAT EXCHANGER	Titanium							
COMPRESSOR	Reciprocating	Scroll	Scroll	Scroll	Scroll	Scroll	Scroll	Scroll
CABINET	ABS							
REFRIGERANT	64 Oz. R410A	78 Oz. R410A	78 Oz. R410A	78 Oz. R410A	118 Oz. R410A	126 Oz. R410A	118 Oz. R410A	126 Oz. R410A
REFRIGERANT HIGH PRESSURE ALARM	600 PSI (reset to 460 PSI)							
REFRIGERANT LOW PRESSURE ALARM - HEATING UNITS	58 PSI (reset to 127 PSI)							
REFRIGERANT LOW PRESSURE ALARM - REVERSE UNITS	35 PSI (reset to 74 PSI)							
LOW WATER FLOW ALARM	20 GPM							
MAXIMUM HEIGHT BELOW WATER LEVEL	10 feet below pool level							
MINIMUM HEIGHT ABOVE WATER LEVEL	5 feet above pool level							
OPTIMAL WATER FLOW	30 GPM	42 GPM	48 GPM	48 GPM	57 GPM	57 GPM	57 GPM	57 GPM
MINIMUM WATER FLOW	20 GPM							
MAXIMUM WATER FLOW	70 GPM							
AIR FLOW	3600 CFM							
WATER TEMPERATURE DIFFERENTIAL (DELTA T)	Adjustable between 1°F to 5°F							
UNION SIZE	2"							
WEIGHT	175 lbs	220 lbs	223 lbs	223 lbs	228 lbs	230 lbs	228 lbs	230 lbs

* Test Conditions: 80° F Air, 80% RH, 80° F Water, Outside the scope of AHRI Standard 1160 (I-P)

** Rated in accordance with AHRI Standard 1160 (I-P)

*** Max Over Current Protection refers to the maximum breaker size allowed. If this value is not a standard breaker size, use the next smallest standard size breaker. The breaker size must not be smaller than the Minimum Circuit Ampacity value.

Figure 1. Jandy Pro Series JE Heat Pumps Dimensions



heat pump is separated from the pool or spa by a 5 foot (1.5 meters) high solid fence or other permanent barrier. In Canadian installations, the minimum distance to be maintained from the inside wall of the pool or spa is 3 meters (approx. 10 feet).

Equipment Pad

Place the heat pump on a flat slightly pitched surface, such as a concrete or fabricated slab (pad). This allows proper drainage of condensation and rain water from the base of the unit. If possible, the pad should be placed at the same level or slightly higher than the filter system equipment pad.

NOTE Ensure that the pad is pitched not more than ¼ inch per foot cm per toward the compressor end (front) of the heat pump. Pitch slab from back to front ¼ inch per foot maximum and level from side to side.

Condensation and Drainage

Condensation will occur from the evaporator coil while the unit is running and drain at a steady rate, usually 3 to 5 gallons (11.4 to 18.9 liters) per hour, depending upon ambient air temperature and humidity. The more humid the ambient conditions, the more condensation will be produced. Keep the drain holes of the base of the unit clear of debris.

If the heat pump is installed indoors*, means of condensate disposal must be provided

* Indoor installation requires factory consultation

Lawn Sprinklers

Keep lawn sprinkler heads from spraying on the heat pump to prevent corrosion and damage. Use a deflector

Table 2. Heat Pump Clearances

Side of Heat pump	Minimum Clearances for Operation		Recommended Clearances for Serviceability	
	Inches	Centimeters	Inches	Centimeters
Front	24	60	36	90
Rear	12	30	24	60
Left	12	30	24	60
Right	12	30	24	60
Top	60	150	60	150

NOTE: Clearances listed in Table 2 are manufacturer's tested values. These are given as minimum values. Where local and national codes apply, and values are different than those listed in Table 2, use the greater value to ensure safe and proper operation.

if needed.

Roof Run-off

Make sure the heat pump is not located where large amounts of water may run-off from a roof into the unit. Sharp sloping roofs without gutters will allow massive amounts of rain water, mixed with debris from the roof to be forced through the unit. A gutter or down spout may be needed to protect the heat pump.

Installation of Anchor Clamps

In Florida, building codes require that the heat pump be anchored to the equipment pad or platform to withstand high wind pressures created during hurricanes. Other jurisdictions may have similar requirements. Please check your local codes for further details.

This heat pump is provided with anchor clamps designed to hold the unit to the equipment pad in high wind conditions. Installation of the anchor clamps is recommended in all installations and are required in Florida (reference Florida Building Code, Mechanical Section 301.13).

To install the anchor clamps:

1. Be sure that the heat pump is in its permanent location on the equipment pad.
2. Place the clamps at the base of the heat pump in the locations indicated in Figure 2.
3. Fit the hook of each clamp over the lip on the base panel of the heat pump. The hook should fit between the lip of the base panel and the evaporator coil guard (see Figure 3).
4. Mark the position of the hole in each clamp on the equipment pad.
5. Drill a hole in the cement using a masonry drill bit, with a diameter as determined by the concrete anchor, at each of the marks on the equipment pad. The hole should be approximately 1-3/4" deep.
6. Insert a bolt anchor into each of the holes. Be sure the anchors are set completely into the holes.
7. Position the anchor clamps so that the holes in the clamps are over the bolt anchors. Be sure that the clamp hooks are over the lip of the heat pump base (see Figure 3).
8. Insert an anchor bolt through each clamp into the anchor and tighten to secure the clamp and heat pump to the equipment pad.

Section 3. Water Connections

3.1 Plumbing Layout

Figure 4 illustrates the standard plumbing layout with a single heat pump unit. Following the diagram from right to left, the plumbing sequence is as follows:

Pool > Pool Pump > Filter > Heat Pump > Check Valve > Chemical Loop > Chlorinator > Pool

NOTE For normal installations, do not install a shutoff valve or any kind of variable restriction in the water piping between the heat pump outlet and the pool/spa.

Arrangement of pool system components other than as illustrated in the preceding and following diagrams can affect the operation of the heat pump's water pressure switch. Location of the heat pump above or below the pool water surface can also affect operation of the switch. In general, the pressure switch can be adjusted to accommodate this effect if the heat pump water connections are no more than 10 feet below the pool water surface or no more than 5 feet above it. See instructions for pressure switch adjustment (Section 5.6) in the heat pump start-up section of this manual for more information. If the heat pump is installed outside of this range, an external flow switch may need to be installed in the plumbing upstream of the heat pump. Call the Zodiac technical support department at

(800) 822-7933 for details.

Be advised that when pool equipment is located below the pool surface a leak can result in large scale water loss or flooding. Zodiac cannot be responsible for such water loss or flooding or the damage caused by either occurrence.

3.2 Water Connections at Heat Pump

Shipping plugs have been installed in the water inlet and outlet ports of the heat pump at the factory. Before installing any plumbing, remove the shipping plugs. Filtered water is plumbed to the inlet, located on the right side of the heat pump front panel. Heated water flows through the outlet, located on the left side of the heat pump front. Two inch unions are provided. Plastic piping (PVC Schedule 40) should be connected to the heat pump. The unions, provided with the unit, accept 2" PVC pipe.

CAUTION

Make sure that flow requirements and pool water turn over rates can be maintained with the installation of additional heat pumps and plumbing restrictions.

3.3 Check Valve Installation

WARNING

A check valve can interfere with the proper operation of certain Suction Vacuum Release System (SVRS) products. To avoid possible entrapment hazard, serious injury, or death, make sure to review the operation/owners manual of your particular SVRS product before installing the check valve.

The heat pump must be protected from back-siphoning of water. If there is any chance of back-siphoning, provide a check valve between the pool and the filter pump inlet.

When an automatic chemical feeder is installed in the plumbing, it must be installed downstream of the heat pump. A check valve must be installed between the heat pump and the chemical feeder to prevent back-siphoning of chemically saturated water into the heat

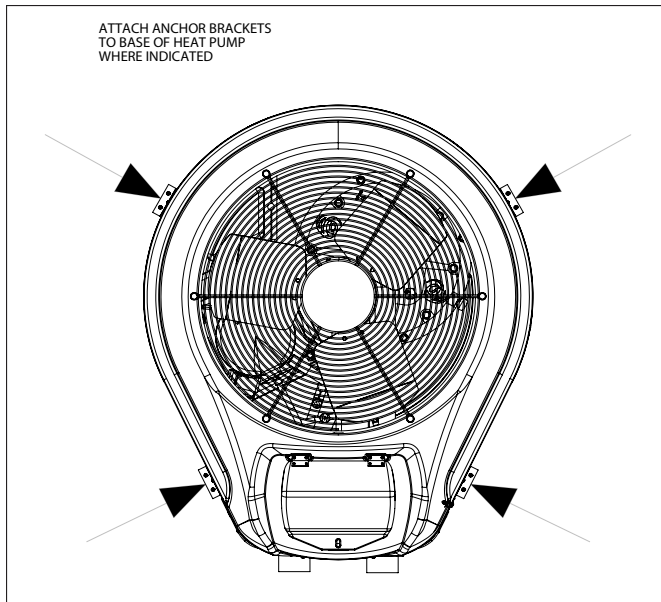


Figure 2. Anchor Clamp Positions

pump where it will damage the components.

3.4 Multiple Unit Installation

Heat Pump and Heater Combination

In certain regions of the country it may be more economical to run a heat pump during the warmer months and a gas heater during the cooler months. In some situations it may be desirable to run the heat pump in the “Chiller” mode during the hottest portion of the year and a heater during the cooler months.

The Zodiac® heat pump may be plumbed with a gas or electric heater or any combination of heat sources including solar. All heat sources must be plumbed in series to work correctly and efficiently.

Figure 5 illustrates a recommended plumbing layout for a heat pump / heater / solar combination heating system for a pool / spa combination. Your system may not contain all of these components, but the basic plumbing will apply by eliminating the component in the illustration that is not a part of your system.

Multiple Heat Pump Connections

All plumbing on multiple heat pump installations must be done in parallel (see Figures 6 and 7). An equal flow of water to each heat pump is important for optimum operation.

NOTE It may be necessary to adjust water pressure switch if a unit is installed below the water level. See Section 5.6 for details on when and how to adjust the pressure switch.

NOTE Each heat pump allows a maximum flow rate of 70 gpm (265 lpm) and requires a minimum of 20 gpm (76 lpm).

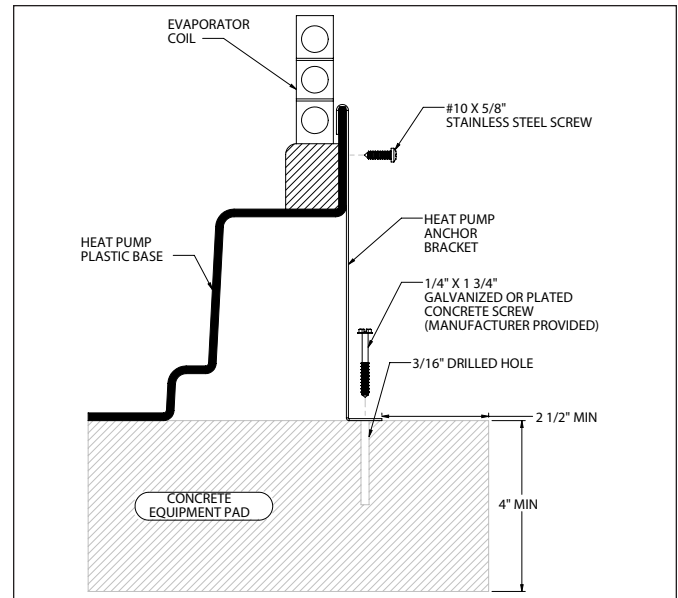


Figure 3. Anchor Clamp Installation

Section 4. Electrical Connections

4.1 General Information

Wiring connections must be made exactly as shown in the wiring diagram found on the inside of the heat pump access compartment (see Figure 8 for single phase electrical wiring and Figure 9 for 3-phase electrical wiring). The heat pump must include a definite means of grounding and bonding. There is a bonding lug on the right side of the heat pump, where a bond wire must be attached.

4.2 Main Power

Electrical wiring to the heat pump must be in accordance with the latest edition of the National Electric Code® (NEC®), ANSI/National Fire Protection Association (NFPA 70®) in the United States, and in Canada, the Canadian Electrical Code (CSA® C22.1), unless local code requirements indicate otherwise.

The heat pumps come factory-wired intended for use with either 230 VAC, 60 Hz single phase or 3 phase field electrical supply depending on the model. See the rating plate for the electrical specifications. All wiring must be done by a certified electrician.

The following is the procedure to wire the Jandy Pro Series JE heat pump to the electrical source specified on the Rating Plate:

1. Be sure the power to the circuit for the heat pump is turned off.
2. Remove the five (5) screws that attach the service/access panel to the heat pump unit (see Figure 10).
3. Remove the front cover of the junction box.
4. Electrical supply lines must be run through watertight conduit. Route the wires and conduit through the knock-out designated for high voltage on the right side of the heat pump. Connect to the bottom of the sheet metal junction box. See Figure 10 for knock-out location.
5. Connect the wires to the terminals on the main contactor as shown in the wiring diagrams. Refer to Figures 8 and 9.
6. Connect the ground wire to the ground lug provided in the electrical compartment.
7. Replace the cover of the junction box.
8. Replace the service access panel and replace the screws to hold it in place.
9. Connect a copper bonding wire (8 AWG). (In Canada, it shall be not smaller than 6 AWG (13.3 mm²) to the bonding lug on the right side of the heat pump.

WARNING

ELECTRICAL SHOCK HAZARD. This heat pump contains wiring that carries high voltage. Contact with these wires may result in severe injury or death. Disconnect power circuit before connecting the heat pump

CAUTION

Label all wires prior to disconnection when servicing controls. Wiring errors can cause improper and dangerous operation. Verify proper operation after servicing.

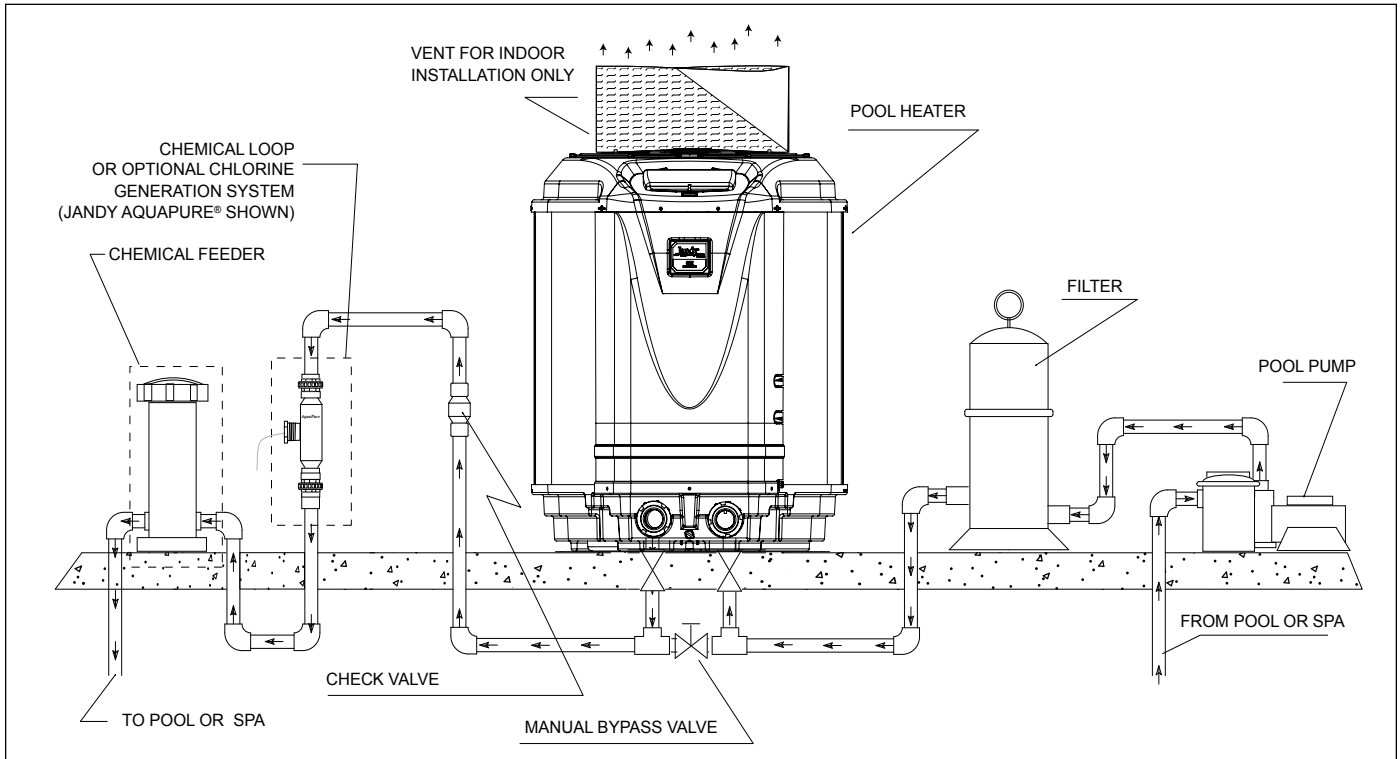


Figure 4. Standard Plumbing Layout

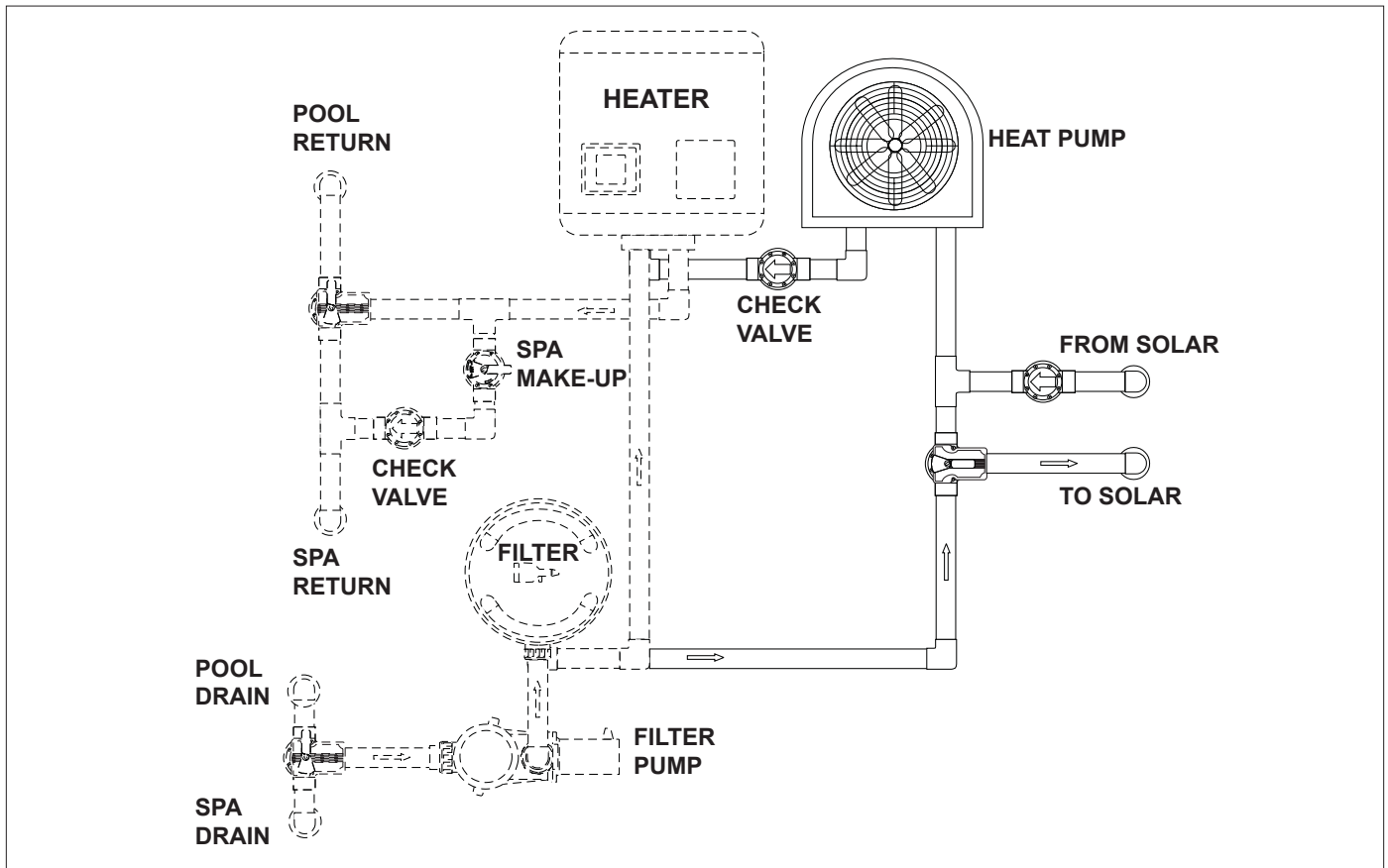


Figure 5. Plumbing For Heating System Combinations

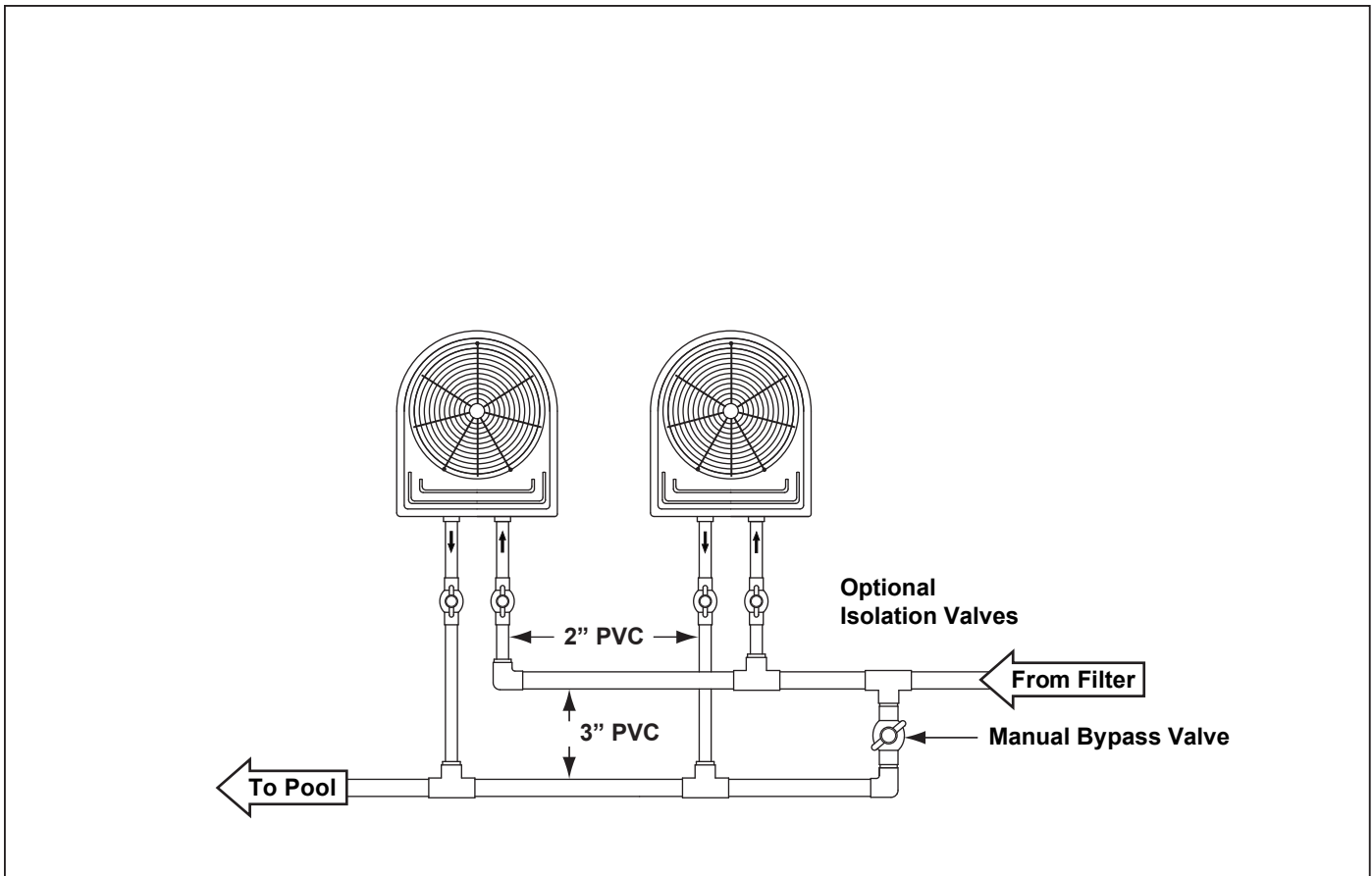


Figure 6. Two (2) Heat Pump Plumbing Layout

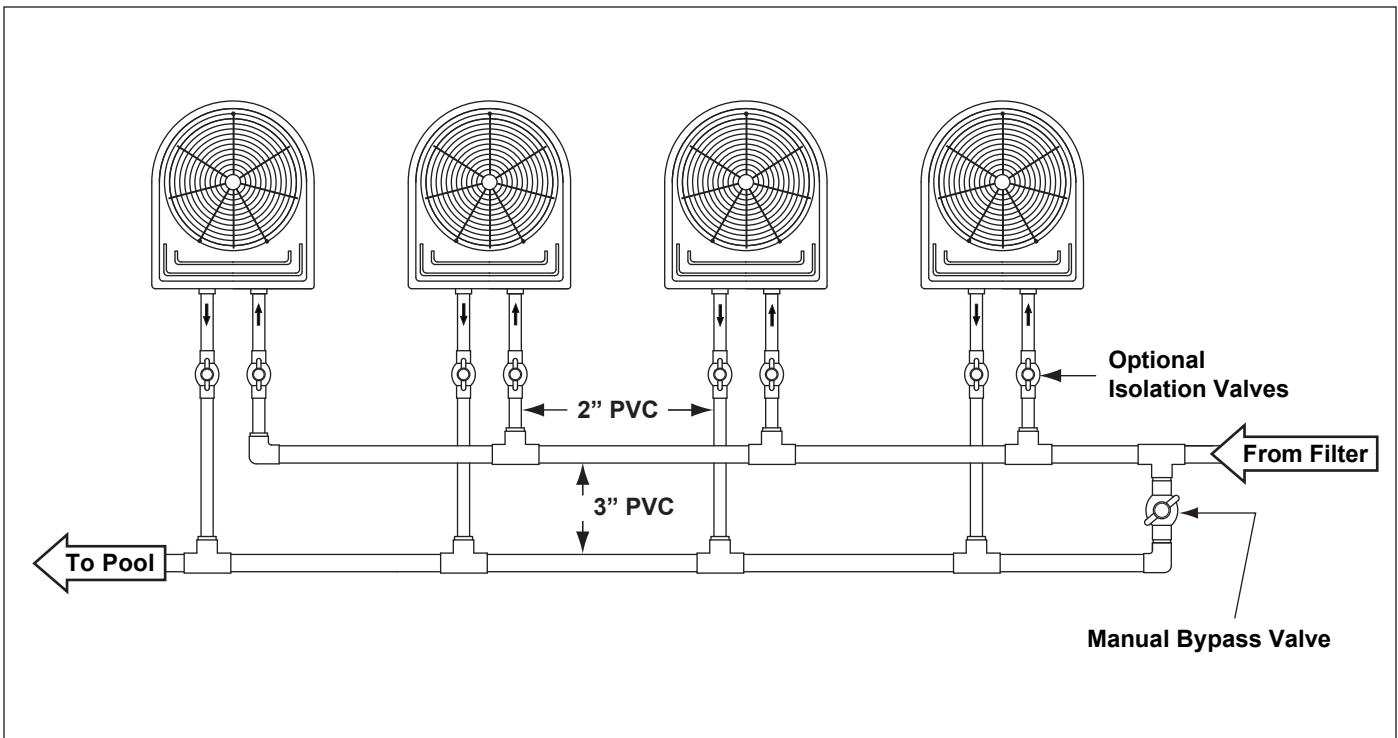
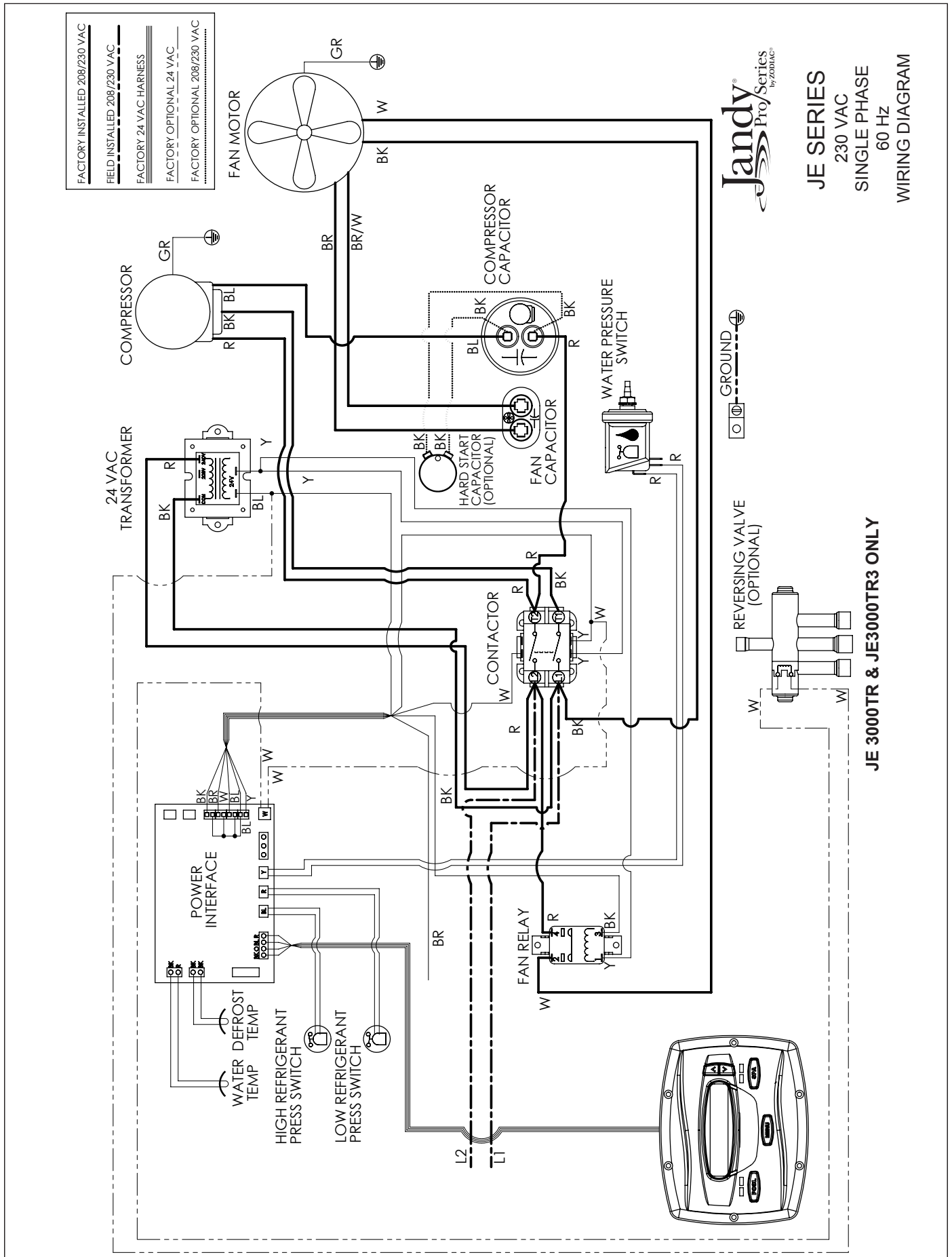


Figure 7. Four (4) Heat Pump Plumbing Layout



Jandy
Pro Series
by ZODIAC

JE SERIES
230 VAC
SINGLE PHASE
60 HZ
WIRING DIAGRAM

JE 3000TR & JE3000TR3 ONLY

Figure 8. JE Single-Phase Electrical Supply Wiring Diagram

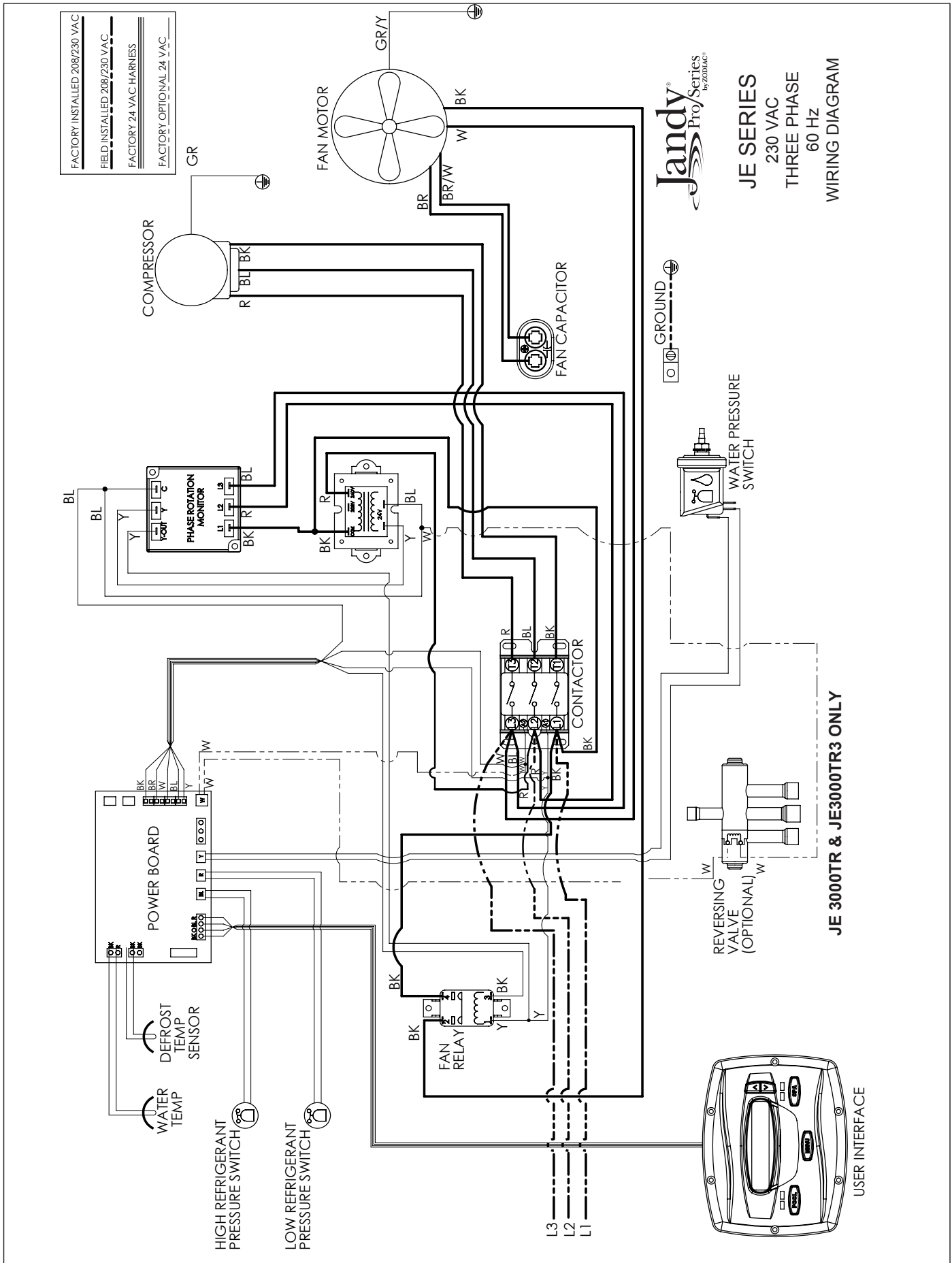


Figure 9. Jandy Pro Series JE 3-Phase Electrical Supply Wiring Diagram

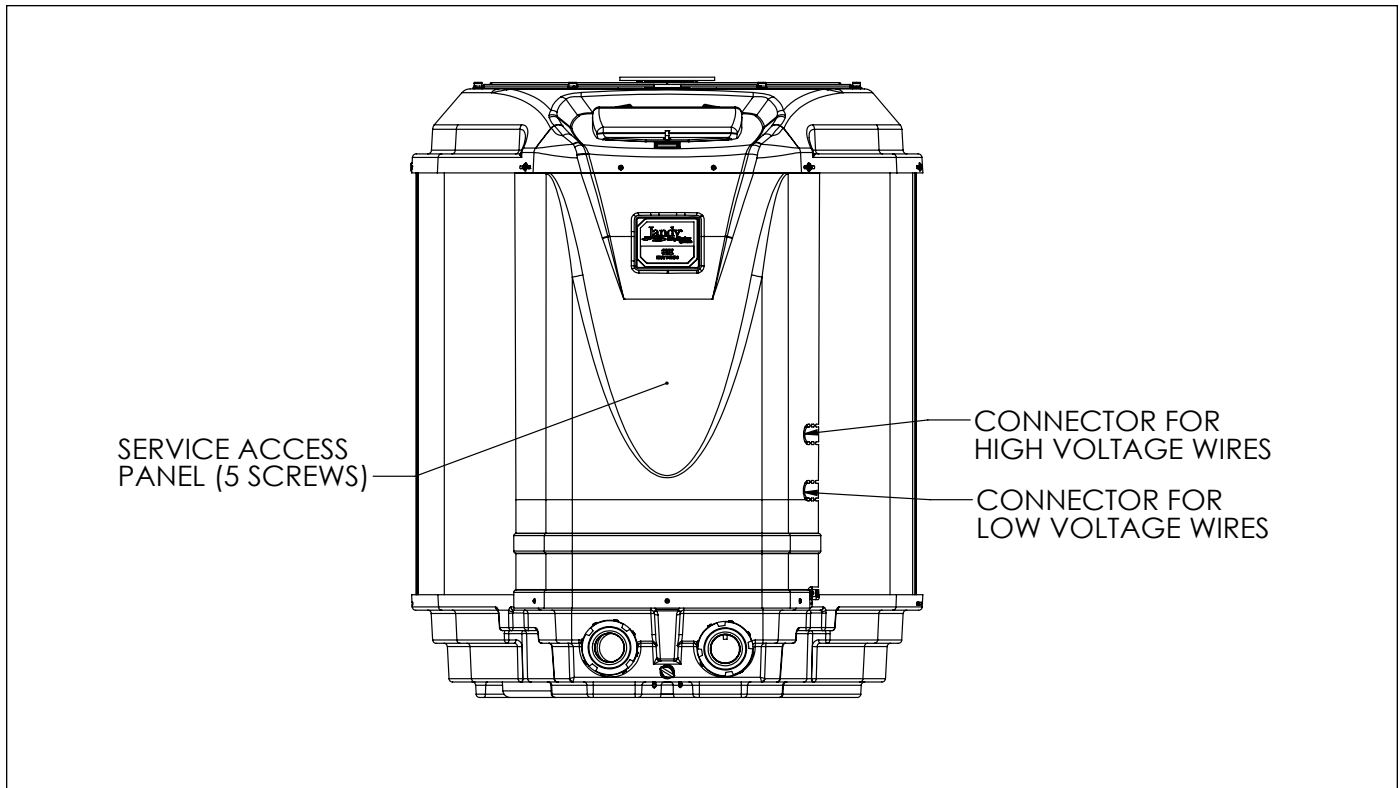


Figure 10. Jandy Pro Series JE Heat Pump Front View

4.3 Bonding

⚠ CAUTION

This heater must be connected to a bonding grid with a solid copper wire not smaller in diameter than 8 AWG (In Canada, it shall be no smaller than 6 AWG.)

The National Electrical Code® and most other U.S. codes require that all metallic components of a pool structure, including reinforcing steel, metal fittings, and above ground equipment be bonded together with a solid copper conductor not smaller than 8 AWG. The heat pump, along with pumps and other pool equipment must be connected to this bonding grid. A bonding lug is provided on the right hand side of the heat pump to ensure this requirement is met.

4.4 Optional Remote Controls

Electrical wiring must be in accordance with all applicable national and local codes and ordinances.

Connection to a Remote Pool-Off-Spa Selector (3-Wire Connection)

Install the Remote Pool-Off-Spa Selector

1. Turn off the power to both the pool/spa control system and the heat pump unit.
2. Remove the screws that attach the service/access

panel to the heat pump unit and the cover to the junction box (see Figure 10).

3. Run the wires from the pool/spa control system into the conduit connection labeled “Low Voltage Connection”, located on the lower right hand side of the heat pump (see Figure 10).
4. Connect the wiring from the pool/spa control system to the heat pump remote control terminal (see Figure 11a).
5. Restore power to the heat pump and the pool/spa control system.

Configure the Control Panel

1. Make sure the control is in the **OFF** mode.
2. To enter the Service Setup mode, press and hold the **MENU**, **POOL**, and **SPA** buttons for 5 seconds.

NOTE The display will revert back to **OFF** after one minute since the last key press.

3. Press the **Up** or **Down** button to display **REMOTE**. Press the **MENU** button. The **SELECT REMOTE OFF** (default remote) appears, use the **Up** or **Down** button to scroll through the Remote options. When you reach **HI-LO-COM**, press the **MENU** button to select the remote. Press **POOL** or **SPA** to exit the Service Setup mode.

Two-Wire Connection to an AquaLink® RS or TSTAT

Configure the AquaLink RS Control System

1. Turn off the power to both the pool/spa control system and the heat pump unit.
2. Connect two (2) wires to the AquaLink RS green 10-pin terminals 1 and 2.
3. Put DIP S2-1 (pin #1 of the 4 position DIP switch) into the ON position (see Figure 12).

Install the Remote TSTAT

1. Turn off the power to both the pool/spa control system and the heat pump unit.
2. Remove the screws that attach the service/access panel to the heat pump unit and the cover to the junction box (See Figure 10).
3. Run the wires from the pool/spa control system into the conduit connection labeled “low voltage connection”, located on the lower right hand side of the heat pump (See Figure 10).
4. Connect the wiring from the pool/spa control system to the heat pump remote control terminal (See Figure 11b).
5. Restore power to the heat pump and the pool/spa control system.

Configure the Control Panel

1. Make sure the control is in the **OFF** mode.
2. To enter the Service Setup mode, press and hold the **MENU**, **POOL**, and **SPA** buttons for 5 seconds.

NOTE The display will revert back to **OFF** after one minute since the last key press.

3. Press the **Up** or **Down** button to display **REMOTE**. The **SELECT REMOTE OFF** (default remote) appears, use the **Up** or **Down** button to scroll through the Remote options. When you reach **REMOTE TSTAT**, press the **MENU** button to select the remote. Press **POOL** or **SPA** to exit the Service Setup mode.
4. Press **SPA**. For heating, adjust the setpoint to the maximum setting. For chilling, adjust the setpoint to the minimum setting.

RS485 (4 wire) Connection to AquaLink® RS

1. Confirm the Jandy Pro Series JE heat pump and AquaLink RS software revisions are compatible.

Jandy Pro Series JE Heat Pump Power Interface Software Rev.	AquaLink® RS Software Revision
3.0 or Later	N or Later

NOTE Only a revision “N”, or higher, program chip in the RS system will support the Jandy Pro Series JE heat pump interface.

2. Turn off the power to both the heat pump and the RS control and open the RS Power Center enclosure and remove the front dead panel.
3. Remove the two (2) screws holding the bezel in place and turn the bezel over to view the circuit board on the back.
4. Locate the programmed chip on the Power Center Board. In the center of the chip is the revision letter. If the revision letter is “N” or higher go to step 5. If the revision level is “MMM” or lower, replace the board or connect as shown in Section 4.5

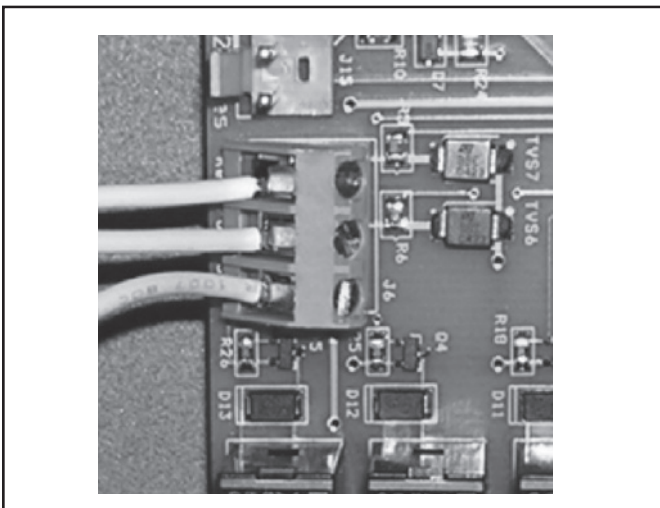


Figure 11a. Remote Pool-Off-Spa Connection (3-Wire Connection)

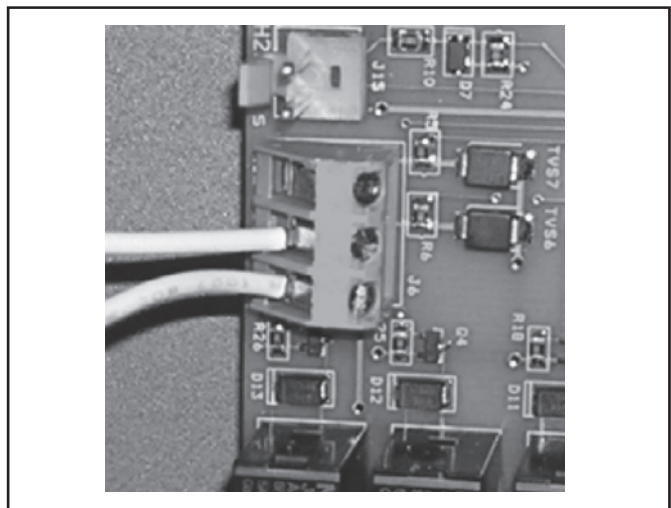


Figure 11b. AquaLink RS or Remote TSTAT Connection (2-Wire Connection)

5. Use 22 gauge 4-conductor wire (Zodiac® Part No. 4278) to run between the heat pump and the RS control, and match the wire color order.
6. The wires coming from the Jandy Pro Series JE heat pump can be “doubled up” on the red terminal bar with the four (4) wires coming from the indoor controller.

NOTE If you need to install more than two (2) wires in each terminal, order a Zodiac® Multiplex PCB Kit, which includes the Multiplex Board (Zodiac Part No. 6584). Never put more than two (2) wires into each of the pins of the terminal bar.

7. Check all wiring, then apply power to both the heat pump and the RS control system. Operation can be verified in either Service or Auto mode. See the RS Control System manual for instructions about operation.

When the Jandy Pro Series JE heat pump is first powered and there is an RS control connected to the heat pump, the display on the heat pump will show **“JANDY REMOTE ONLINE PUSH MENU TO DISABLE”**. When the JE heat pump is online with the RS control, all functionality of the control on the heat pump is disabled. The heat pump functions can be controlled only at the RS unit.

To temporarily use the heat pump controls, press the **MENU** button. The message **“JANDY REMOTE ONLINE PUSH MENU TO DISABLE”** will disappear from the heat pump display. All functionality has now been returned to the control on the heat pump. In this mode the RS unit is no longer controlling the heat pump.

To return the functionality to the RS unit, cycle (turn off and then turn on) the power to the heat pump, or press the **MENU** button for 5 seconds to enter the User Setup Mode and then enable the Zodiac Remote.

NOTE If connecting more than two (2) items to the RS Power Center red, 4-pin connector, a Multiplex PCB is required.

Connection to a Secondary User Interface

1. Turn off the power to the heat pump.
2. Remove the five (5) screws that attach the front panel to the heat pump and remove the cover to the junction box. See Figure 10.
3. Run four (4) 22 AWG solid copper wires into the conduit labeled “Low Voltage Connection” located on the lower right hand side of the heat pump. See Figure 10. The wires may be up to 300 feet (91.4 m) in length.
4. Connect the wires to the 4 position terminal on the upper left hand corner of the Power Interface PC Board, labeled “User Interface1”. The wires will be added to the existing wiring to the User Interface installed on the heat pump.
5. Ensure the wiring is consistent when connecting the wires to the second User Interface. For example, BK goes to BK, O goes to O, etc.
6. Re-install the junction box cover and service access panel and restore power to the heat pump.

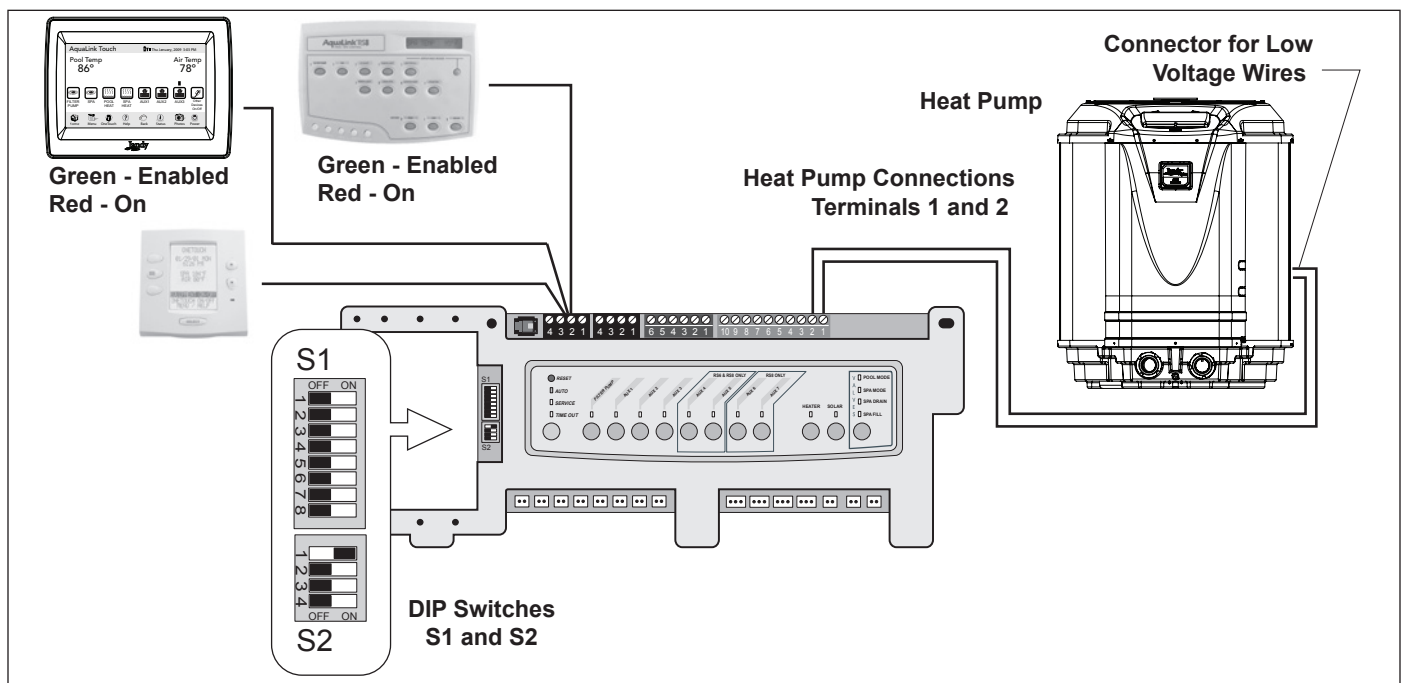


Figure 12. AquaLink RS to Jandy Pro Series JE Heat Pump - T-Stat (2 wire) connection

Section 5. Operation

⚠ CAUTION

Do not use this heat pump if any part has been under water. Immediately call a qualified service technician to inspect the heater and replace any part of the control system which has been under water.

⚠ CAUTION

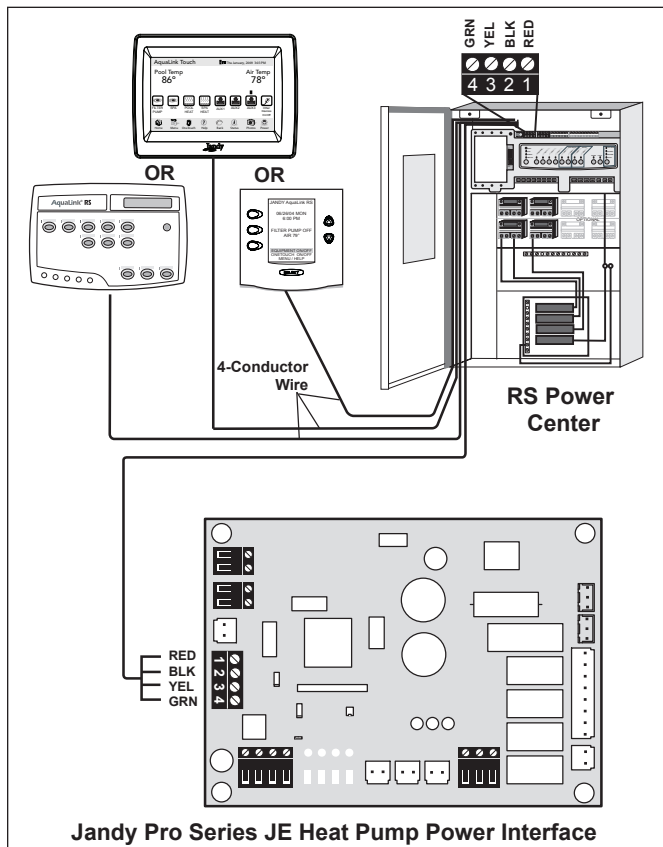
Keep all objects off the top of the heat pump. Blocking air flow could damage the unit and may void the warranty.

5.1 Initial Start-up Precautions

Be sure that there is water in the pool and that the surface level is above the skimmer or other inlet of the pool's filter system.

With any new pool or spa installation, operate the filter pump with the heat pump off long enough to completely clean the water. This will remove any installation residue from the water.

Clean the filter at the end of this operation before starting the heat pump. When raising the temperature of a cold pool, program the time clock to run the pump continuously.



Jandy Pro Series JE Heat Pump Power Interface

Figure 13. Jandy Pro Series JE Heat Pump to Power Center - RS485 (4 wire) connection

This lets the filter system and heat pump operate continuously until the water reaches the temperature setting on the temperature control. When that happens, the heat pump will automatically shut off, but the filter pump will keep running.

5.2 Operating the Controller

Your new Jandy Pro Series JE heat pump is controlled by an advanced microprocessor based controller that provides a sophisticated yet simple interface to operate your heat pump for maximum efficiency and enjoyment of your pool. To locate the control buttons, see Figure 14.

Off Mode

When the control panel is turned off, the screen displays **HEAT PUMP IS OFF PRESS POOL OR SPA**.

Pool Mode - (Normal Heat)

To enable the pool mode, press **POOL**. The associated left green LED indicator will light and the unit will display **SET:XXX°**.

NOTE *XXX* represents the current temperature setting on the control. The default setting for pool temperature is 80°F (26°C).

You can change the temperature set point by pressing the **Up** or **Down** button. Repeatedly press the **Up** or **Down** button until you reach the desired temperature set point. After 5 seconds of inactivity, the new set point is stored in memory.

When the water temperature falls to 1 degree below the temperature setting *and* after a 5 minute delay, the control will start the heat pump and the associated right LED will light RED.

Pool Mode - (Optional Maintain Heat)

If connected, the Maintain Heat mode allows the heat pump to monitor the temperature of the water 24 hours a day by turning the pool pump on and sampling the water temperature.

A Maintain Temp Relay is required and the feature must be enabled.

When the water temperature drops below the programmed temperature set point, the control will start the heat pump.

To operate in pool mode with the Maintain Heat feature, press **POOL**, then press **MENU**, press the **Down** button until **MAINTAIN POOL HEAT** is displayed, press the **MENU** button.

The associated left green LED indicator will light and the unit will display **SET:XXX°**. Change the temperature set point by pressing the **Up** or **Down** button until the desired set point is displayed. After 5 seconds of inactivity, the new set point is stored in memory.

Spa Mode - (Normal Heat)

To enable the spa mode, press **SPA**. The associated left green LED indicator will light and the unit will display **SET:XXX°**.

NOTE *XXX* represents the current temperature setting on the control. The default setting for spa temperature is 102°F (38°C).

You can change the temperature set point by pressing the **Up** or **Down** button. Repeatedly press the **Up** or **Down** button until you reach the desired temperature set point. After 5 seconds of inactivity, the new set point is stored in memory. When the water temperature falls to 1 degree below the temperature setting *and* after a 5 minute delay, the control will start the heat pump and the associated right LED will light RED.

Spa Mode - (Optional Maintain Heat)

If connected to an AquaLink, the Maintain Heat mode allows the heat pump to monitor the temperature of the water 24 hours a day by turning the spa pump on and sampling the water temperature.

NOTE This feature only works when connected to an AquaLink.

To operate in spa mode with the Maintain Heat feature, press **SPA**, then press **MENU**, press the **Down** button until **MAINTAIN SPA HEAT** is displayed, press the **MENU** button. The associated left green LED indicator will light and the unit will display **SET:XXX°**. Change the temperature set point by pressing the **Up** or **Down** button until the desired set point is displayed. After 5 seconds of inactivity, the new set point is stored in memory.

5.3 Operating Features of Hybrid Units with Optional Chiller

NOTE The chiller is an optional equipment. Not all units are provided with chiller.

Pool Mode - (Normal Chill)

To enable the pool mode, press **POOL**. The associated left green LED indicator will light and the unit will display **SET:XXX°**.

NOTE *XXX* represents the current temperature setting on the control. The default setting for pool temperature is 80°F (26°C).

Press the **MENU** button. Press the **Up** or **Down** button until you reach **POOL CHILL**, press the **MENU** button.

NOTE **POOL CHILL** will not be displayed if the unit is not provided with chiller.

You can change the temperature set point by pressing the **Up** or **Down** button. Repeatedly press the **Up** or **Down** button until you reach the desired temperature

set point. After 5 seconds of inactivity, the new set point is stored in memory. When the water temperature rises to 1 degree above the temperature setting *and* after a 5 minute delay, the control will start the heat pump and the associated right LED will light GREEN.

Pool Mode - (Optional Maintain Chill)

If connected, the Maintain Chill option mode allows the unit to monitor the temperature of the water 24 hours a day by turning the pool pump on and sampling the water temperature.

A Maintain Temp Relay is required (provided) and the feature must be enabled.

When the temperature of the water rises above the desired temperature setting, the control will then turn on the unit and the associated right green LED will light. To operate in pool mode with the Maintain Chill feature, press **POOL**, then press **MENU**, then press the **Down** button until **MAINTAIN POOL CHILL** is displayed, press the **MENU** button. The associated left green LED indicator will light and the unit will display **SET:XXX°**. Change the temperature set point by pressing the **Up** or **Down** button until the desired set point is displayed. After 5 seconds of inactivity, the new set point is stored in memory.

Spa Mode - (Optional Maintain Chill)

If connected, the Maintain Chill mode allows the heat pump to monitor the temperature of the water 24 hours a day by turning the spa pump on and sampling the water temperature.

A Maintain Temp Relay is required (provided) and the feature must be enabled.

When the water temperature rises above the programmed temperature set point, the control will start the heat pump.

To operate in the spa mode with the Maintain Chill feature, press **SPA**, then press **MENU**, press the **Down** button until **MAINTAIN SPA CHILL** is displayed, press the **MENU** button. The associated left green LED indicator will light and the unit will display **SET:XXX°**. Change the temperature set point by pressing the **Up** or **Down** button until the desired set point is reached. After 5 seconds of inactivity, the new set point is stored

in memory.

5.4 User Setup Options

The User Setup options allow the user to select specific Languages, Temperature Scale, Spa Timer, and Display Light options.

Language Setup

1. Make sure the control is in the **OFF** mode.
2. To enter the User Setup mode, press and hold the **MENU** button for 5 seconds.

NOTE The display will revert back to **OFF** after one minute since the last key press.

3. To select a language, use the **Up** or **Down** button to display **SELECT USER SETUP LANGUAGE**. Press the **MENU** button. The **SELECT LANGUAGE ENGLISH** (default language) appears, use the **Up** or **Down** button to scroll through the language options. When you reach the desired language, press the **MENU** button to select the language. Press **POOL** or **SPA** to exit the User Setup mode.

Temperature Scale Setup

1. Make sure the control is in the **OFF** mode.
2. To enter the User Setup mode, press and hold the **MENU** button for 5 seconds.
3. To select temperature scale, use the **Up** or **Down** button to scroll through to display **SELECT USER SETUP TEMPERATURE SCALE**. Press the **MENU** button. The **SELECT TEMP SCALE °F** (default temperature scale) appears, use the **Up** or **Down** button to scroll through the scale options. When you reach the desired temperature scale, press the **MENU** button to select. Press

POOL or **SPA** to exit the User Setup mode.

Spa Timer Setup

1. Make sure the control is in the **OFF** mode.
2. To enter the User Setup mode, press and hold the **MENU** button for 5 seconds.
3. To select spa timer, use the **Up** or **Down** button to scroll through to display **SELECT USER SETUP SPA TIMER**. Press the **MENU** button. The **SELECT SPA TIMER CONTINUOUS** (default spa timer setting) is displayed. To turn the spa on or off indefinitely, press the **MENU** button to select.

To select the length of time for the spa to run, use the **Up** or **Down** button to scroll to display **SELECT SPA TIMER TIME SELECTION**. Press the **MENU** button to select. The display **SELECT SPA TIME 01:00 HRS** (default time setting) is displayed. Use the **Up** or **Down** button to select the length of time for the spa to run (between 00:15 to 23:00 hours incremented by 00:15 minutes). Press the **MENU** button to select how long the spa will run. Press **POOL** or **SPA** to exit the User Setup mode.

Display Light Setup

1. Make sure the control is in the **OFF** mode.
2. To enter the User Setup mode, press and hold the **MENU** button for 5 seconds.
3. To select display light setup, use the **Up** or **Down** button to scroll through to display **SELECT USER SETUP DISPLAY LIGHT**. Press the **MENU** button. The **SELECT DISPLAY LIGHT 2 MIN TIMEOUT** (default display light setting) is displayed. This option allows the display light to turn off after 2 minutes. Press the **MENU** button to select. Use the **Up** or **Down** button to scroll to display **SELECT DISPLAY LIGHT LIGHT OFF**, this option allows the display light to turn off, press the **MENU** button to select. Use the **Up** or **Down** button to scroll to display **SELECT DISPLAY LIGHT LIGHT ON**, this option allows the display light to turn on, press the **MENU** button to select. Press **POOL** or **SPA** to exit the



Figure 14. Main Control Panel

User Setup mode.

5.5 Set Point Lockout

Make sure the control is in the **ON** mode (**POOL** or **SPA**), press and hold the **Up** and **Down** buttons for 5 seconds. The set point will be locked and the control will operate in the mode it was in when the Set Point Lockout occurred. If an attempt to change the set point is made while the control is in Set Point Lockout, the control will display **SET POINT LOCKED**. To unlock the Set Point Lockout, press and hold the **Up** and **Down** buttons for 5 seconds. The unit will display **SET POINT UNLOCKED**.

5.6 Water Pressure Switch Adjustment

CAUTION

The water pressure switch should be adjusted to turn the heater off when the pump is off. Setting the switch to close at too low of a flow can damage the appliance. Adjust the switch to turn the heater off, not on.

The pressure switch is preset at the factory for activation at 2 psi (14 kPa). This is the minimum setting for the water pressure switch and works for all basic installations. Only adjust the water pressure switch if the heat pump does not operate *when the proper flow is applied to unit* or if the heat pump does not shut off when the filter pump is off. Occasionally, unusual plumbing configurations or necessary restrictions in the plumbing may cause pressure sensing problems. In these rare situations, the plumbing system configuration may require adjustment of the water pressure switch. Adjustment of the pressure switch may be necessary if any part of the filter system piping is 3 feet (1 m) or more above the top of the heat pump jacket. Do not adjust the pressure switch if the heat pump is installed more than 5 feet (1.5 m) above or 10 feet (3 m) below the pool surface. Consult your local Zodiac® dealer for recommendations.

On some installations, the piping from the heat pump to the pool is very short. The back pressure could be too low to trigger the pressure switch. If this happens, it may be necessary to install a directional fitting or elbows where the return line enters the pool. This will increase back pressure enough for the heat pump to operate properly. If this configuration is necessary, be sure to check that the system flow is above the minimum requirement of 30 gpm (114 lpm) after the direction fitting or elbow has been installed. Make sure the pool filter is clean before making any pressure switch adjustment: A dirty filter will restrict the water flow and the pressure switch cannot be adjusted properly.

To adjust the pressure switch:

1. Be sure that all valves in the system are set to allow water flow through the heat pump. Start the

filter pump.

2. Set the heat pump control to call for heat. Set the heat pump control to the POOL HEAT mode.
3. If the heat pump control displays “NO FLOW”, then the flow in the system may be below the minimum flow of 30 gpm (114 lpm) needed for the safe operation of the heat pump. Investigate and correct any flow problems before adjusting the water pressure switch.
4. Remove the heat pump’s control access panel. The water pressure switch is located in the lower left corner of the control compartment.
5. After confirming the flow rate is at a minimum of 30 gpm (114 lpm), slowly rotate the thumb wheel on the water pressure switch in a **counterclockwise** direction until the “NO FLOW” indicator disappears from the control display. Remember that there is a time delay before the heat pump compressor will start.
6. Once the heat pump is running, turn off the filter pump. The heat pump should turn off immediately.
7. If the heat pump continues to operate when the filter pump is off, turn the thumb wheel on the water pressure switch in a **clockwise** direction until “NO FLOW” is displayed on the control and the heat pump shuts down.
8. Check the setting of the water pressure switch by starting and stopping the filter pump and checking the control display and operation of the heater between each flow change.
9. If the water pressure switch cannot be adjusted to accommodate the conditions listed above, an external flow switch must be added to the plumbing system to ensure that the heat pump will not operate without the proper flow through the heat exchanger.

Section 6. General Maintenance

6.1 Water Chemistry

Proper chemical balances are necessary for sanitary bathing conditions as well as ensuring your heat pump’s long life. Be sure to keep your chemical and mineral concentration levels within the values indicated in Table 3.

NOTE For spas, it is also necessary to perform water changes in addition to chemical treatment. It is recommended to change the spa water every 60 days for light usage and every 30 days if usage is heavy.

6.2 Winterizing

⚠ CAUTION

Failure to winterize could cause damage to the heat pump and will void the warranty.

In areas where freezing temperatures occur, you should protect your pump, filter, and heat pump from the elements. Perform the following steps to completely drain the heat pump (see Figure 15).

1. Turn off the electrical power to the heat pump at the main breaker panel.
2. Shut off the water supply to the heat pump.
3. Disconnect the water inlet and outlet unions as well as the winterizing drain plug (if applicable) located on the lower front panel of the heat pump. The heat exchanger will drain through these water connections.
4. Cover only the top of the heat pump to prevent debris from falling into the unit. Do not wrap the sides of the heat pump with any plastic or other material that will retain heat or moisture inside the unit.

6.3 Spring Start-Up

If your heat pump has been winterized, perform the following steps when starting the system in the Spring:

1. Uncover the heat pump and inspect the top and sides for any debris or structural problems.
2. Connect the water inlet and outlet unions located on the lower front panel of the heat pump.
3. Turn on the filter pump to supply water to the heat pump. Circulate water through the system long enough to cycle all of the pool water through the filter. Check for leaks in and around the heat pump.
4. Check the pool chemistry and balance as necessary.
5. Turn on the electrical power to the heat pump at the main breaker panel.

6.4 Inspection and Service

Zodiac® heat pumps are designed and constructed to provide long performance life when installed and operated properly under normal conditions. Periodic inspections are important to keep your heat pump running safely and efficiently through the years.

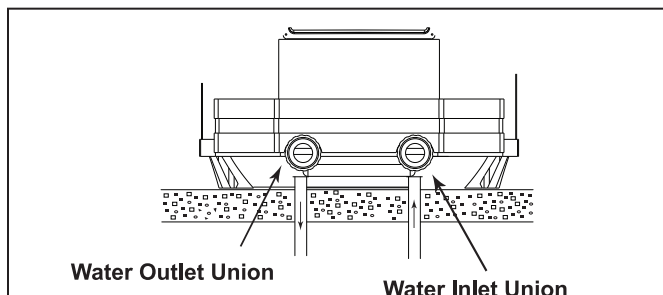


Figure 15. Winterizing the JE Heat Pump

Owner Inspection

⚠ CAUTION

Do not use this heat pump if any part has been under water. Immediately call a qualified service technician to inspect the heater and replace any part of the control system which has been under water.

Zodiac recommends that you inspect your heat pump on a regular basis and especially after abnormal weather conditions. The following basic guidelines are suggested for your inspection:

1. Keep the top and surrounding areas of the heat pump clear of all debris.
2. Keep all plants and shrubs trimmed and away from the heat pump.

The heat pump will produce condensation (water) while in operation. The heat pump base is designed to allow the condensation to exit through the bottom drain port when the unit is running. The condensation will increase as the outdoor air humidity level increases. Check the following at regular intervals to ensure proper condensate drainage:

1. Visually inspect and clear the bottom drain ports of any debris that could clog the ports.
2. Ensure that condensate water does not puddle inside the heat pump
3. Ensure that condensate run-off is properly directed away from the equipment pad to keep it from undermining the pad.

During normal operation, the heat pump produces 3 to 5 gallons of condensate per hour. If condensate drainage is above this range during operation or if water continues to drain from the base when the heat pump is not in operation for more than an hour, a leak in the internal plumbing may have occurred. Call a qualified heat pump technician to investigate the problem.

Keep the top air flow discharge and air flow intake area clear of debris so the air flow through the heat pump is not restricted. The cooler discharge air from the top should not accumulate and be drawn into the side air intake coils. Keep all plants and shrubs trimmed away from the heat pump.

Make sure the front of the unit is accessible for future service.

Keep lawn sprinkler heads from spraying on the heat pump to prevent corrosion and damage. Use a deflector if needed.

If the unit is installed under a very sharp roof pitch or under a roof without a gutter, a gutter or diverter should be fitted to prevent excessive water from pouring down into the unit.

Professional Inspection

Inspections performed at least once a year by a qualified technician are required to maintain your heat pump's safe and efficient operation. The following basic safety

checks must be performed.

1. Check for loose or broken wires and terminal connections.
2. Verify the pressure switch or flow switch operation. Turn the heat pump OFF. Disconnect the power to the pump time clock, or turn the pump time clock to an OFF position. Turn the heat pump back ON. The heat pump must not come on.
3. Inspect the electrical controls, specifically the following:
 - a. High and Low Limits
 - b. Pressure Switch or Flow Switch
 - c. Temperature Control
4. Inspect the evaporator coil for blockage and clean as necessary.
5. Check for spider webs or debris in the condensate drain; clean if necessary.
6. Conduct a normal operating cycle and observe that the unit operates properly.

Section 7. Professional Maintenance and Service

7.1 Heat Pump Design

The Zodiac® heat pump is one of the most efficient ways to heat a pool or spa. The heat pump transfers heat from the outside air to the pool or spa water by means of an internal heat exchanger.

When the fan is turned on, warm air is drawn through the refrigerant charged evaporator, turning the cold liquid refrigerant to a warm gas. The gas then flows through the compressor where it is compressed resulting in a much higher temperature.

The hot gas enters the heat exchanger where the water extracts the heat. The pump pulls in cool pool water, which in turn converts the hot gas back into a liquid refrigerant and starts the cycle over again.

The JE heat pump and the EE-Ti heat pump uses a refrigerant called R-410A. It is a non-ozone depleting refrigerant that is accepted by the EPA. R-410A has higher operating pressures and cooling capabilities than

R-22, which is the refrigerant used in the AE-Ti heat pump. Therefore, R-410A should NEVER be used in any of the AE-Ti heat pumps.

The EPA requires certification to purchase or use R-410A. It is recommended that service personnel be trained in installation, service, brazing, and maintenance procedures. They are similar to what the industry has used for the R-22 system, however, they should be redefined for the higher operating pressures.

NOTE The maximum heat output and efficiency of a heat pump is dependent upon the quality and performance of the major components used. Equally important are the environmental conditions (for example, air temperature, humidity, water temperature, and wind).

7.2 Heat Pump Components and Operation

Evaporator - As air passes through the evaporator, the refrigerant in the evaporator absorbs heat from the ambient air. The warmer the ambient air and the larger the surface area of the evaporator the more heat it can collect.

Fan - The heat pump fan produces high volume airflow. Adequate airflow is required to move warm air through the large evaporator.

Compressor - The compressor compresses the refrigerant gas to a higher pressure, increasing the temperature.

Heat Exchanger - As the final step to the heating process, the heat exchanger transfers the heat from the hot gas to the water. (Also known as a condenser.)

Reversing Valve - (For Hybrid Units with Optional Chiller and Hot Gas Defrost) The reversing valve reverses the flow of the refrigerant, which results in transferring cold gas to the water, thus lowering the temperature.

Table 3. Optimal Water Chemistry Ranges

Test	Recommended Level
Free Chlorine or Bromine	1.0 to 3.0 ppm
pH	7.2 to 7.8 (Ideal ranges being between 7.4 and 7.6)
Total Alkalinity (TA)	80 to 120 ppm
Calcium Hardness (CH)	175 to 400 ppm
Cyanuric Acid	30 to 50 ppm
Total Dissolved Solids (TDS)	1000 to 2000 ppm (Excluding dissolved NaCl from Salt Chlorine Generator)

* Concentration levels taken from "Basic Pool and Spa Technology" published by APSP (Association of Pool and Spa Professionals).

Section 8. Troubleshooting

8.1 Troubleshooting Guide

The following table provides symptoms and solutions for general troubleshooting problems for the heat pump.

Table 4. Heat Pump Troubleshooting Guide

SYMPTOM	CORRECTIVE ACTION
Heat pump will not start, no control board display.	Breaker or fuse may be tripped. Reset breaker or check fuse. If heat pump still does not run, call for service. Three-phase models only - The phases may be reversed or there may be a loss of phase, call for service.
Heat pump will not start, control board display working.	Heat pump may be in delay count down of 5 minutes. Make sure control board thermostat is calling for heater to come on (check setting on thermostat and temperature reading). Make sure heat pump is not in cooling mode.
Heat pump runs but does not heat.	Verify cold air is blowing out the top of the heat pump. If the heat pump has just been installed or if the pool water has been allowed to cool significantly, it is necessary to run the heat pump continually for 24-48 hours. If the heat pump has been in operation for some time, increase the circulating pump time, or switch the control board to Maintain Heat function. If heating a spa, verify no air intake stand pipes are open. If heat pump still does not heat, call for service.
Heat pump does not run and control board displays: FAULT- NO FLOW	Verify circulating pump is on and all necessary valves are in the correct positions. Verify filter and skimmers are clean. Check water level in pool. Temporarily turn off all fountains and water falls that bypass the heat pump water inlet. If this does not correct the problem, call for service.
Heat pump does not run and control board display shows: FAULT- HIGH REF PRESSURE	Verify circulating pump is on and that there are no water flow restrictions to the heat pump. If the filter pump is a two speed or variable speed pump, switch to a higher speed. Make sure all necessary valves are open or in the proper positions to allow proper water flow to the heat pump. Verify filter and skimmers are clean. Check for water level in the pool. This condition may also appear if the heat pump has not been operated for an extended period. To clear the condition, cycle the heat pump, on and off, up to 3 times. If this does not correct the problem, call for service.
Heat pump does not run or short cycles and control board display shows: FAULT- LOW REF PRESSURE	Check that fan is operating and air is coming out of the top of the heat pump, while short cycling. If heat pump does not run at all, call for service.
Heat pump leaking water.	Possible heat exchanger or plumbing leak. Turn the heat pump off, then turn circulating pump off for at least one hour to see if the water leak stops. If the water leak stops, normal condensation is occurring. If the water leak continues, after the heat pump is shut off for at least one hour, call for service.

8.2 Diagnostics

In the event a pressure switch opens or another fault condition occurs, the LCD screen will display the fault until the problem has been resolved. Please refer to the following table for the list of diagnostic conditions.

Table 5. Heat Pump Diagnostics

DIAGNOSTIC CONDITION	DESCRIPTION
FAULT- NO FLOW	<p>Low or restricted water flow through the heat pump.</p> <p>The external bypass valve is in the wrong position, or the water flow switch has malfunctioned. The water flow switch opens creating a fault and the heat pump shuts off.</p>
FAULT- LOW REF PRESSURE	<p>When the ambient temperature is low, the suction pressure can drop significantly.</p> <p>This fault will cause the low pressure switch to open and the control will shut off the compressor.</p>
FAULT- HIGH REF PRESSURE	<p>When the head pressure builds too high, the high pressure switch will open causing the heat pump to shut off immediately.</p> <p>The control will sense this fault condition and shut off the compressor until the switch re-closes.</p>
FAULT- HIGH WATER TEMP	<p>When the POOL or SPA water temperature heats to the maximum allowed temperature or above, there could be safety risks for anyone in the water.</p> <p>The water thermostat will read this temperature and the control will shut off the heat pump unless it is in CHILLER mode.</p> <p>This feature also remains active when the control calls for heat through a remote thermostat. This is to insure that water temperature does not go to an abnormally high level due to a possible malfunction of the remote sensor.</p>
FAULT- SHORTED COIL SENSOR -or- FAULT- OPEN COIL SENSOR	<p>In the event that the coil temperature sensor malfunctions or is not connected the control will shut off the heat pump.</p>
FAULT- SHORTED WATER SENSOR -or- FAULT- OPEN WATER SENSOR	<p>In the event that the water temperature sensor malfunctions or is not connected the control will shut off the heat pump.</p>

Section 9. Replacement Parts

9.1 Ordering Information

To order or purchase parts for the JE models of heat pumps, contact your nearest Zodiac dealer or distributor. See the Zodiac web site at www.Zodiac.com for the nearest service center. If they cannot supply you with what you need, contact Zodiac customer support department, telephone (800) 822-7933.

9.2 Zodiac® JE Heat Pumps Parts List

Key No.	Description	Model No.	Order Part No.	Key No.	Description	Model No.	Order Part No.
1	Fan Grille	1500	R0571700	30	Fan Relay	All	R0577000
1	Fan Grille	2000, 2500, 3000	R0571800	31	Phase Rotation Monitor (3 phase)	2500, 3000 (3 Phase)	R0577100
2	Fan Motor	1500	R0571900		Optional Components		
2	Fan Motor	2000, 2500, 3000	R0572000	32*	Anchor Bracket Set	1500	R0577200
3	Fan Blade	1500	R0572100	32*	Anchor Bracket Set	2000, 2500, 3000	R0577300
3	Fan Blade	2000, 2500, 3000	R0572200	33	Universal Union, Butress Set	All	R0472700
4	Fan Top	1500	R0572300	34*	Bypass, External, JE Heat Pump	All	R0578900
4	Fan Top	2000, 2500, 3000	R0572400				
5	Evaporator Coil / Guard	1500	R0572500		* Not Shown		
5	Evaporator Coil / Guard	2000, 2500	R0572600				
5	Evaporator Coil / Guard	3000	R0572700				
6	Compressor	1500	R0572800				
6	Compressor	2000	R0572900				
6	Compressor	2500	R0573000				
6	Compressor	3000	R0573100				
6	Compressor (3 phase)	2500	R0577500				
6	Compressor (3 phase)	3000	R0577600				
7	Condenser	1500	R0577700				
7	Condenser	2000	R0577800				
7	Condenser	2500	R0577900				
7	Condenser	3000	R0578000				
8	Water Manifold Inlet	1500	R0573200				
8	Water Manifold Inlet	2000, 2500	R0573300				
8	Water Manifold Inlet	3000	R0573400				
9	Water Manifold Outlet	1500	R0573500				
9	Water Manifold Outlet	2000, 2500	R0573600				
9	Water Manifold Outlet	3000	R0573700				
10	Base	1500	R0573800				
10	Base	2000, 2500, 3000	R0573900				
11	Electrical Box Cover w/ Hardware	All	R0574000				
12	Front Panel	1500	R0574300				
12	Front Panel	2000, 2500	R0574400				
12	Front Panel	3000	R0574500				
13	Water Temperature Sensor	All	R0574600				
14	Filter Drier	1500	R0574700				
14	Filter Drier	2000, 2500, 3000	R0574800				
14	Filter Drier (Bi-flow)	3000TR	R0574900				
15	Thermal Expansion Valve	1500	R0575000				
15	Thermal Expansion Valve	2000, 2500	R0575100				
15	Thermal Expansion Valve	3000	R0575200				
16	Air Temperature Sensor	All	R0575300				
17	High Pressure Switch	All	R0575400				
18	Low Pressure Switch	All	R0575500				
19	Water Pressure Switch	All	R0575600				
20	User Interface	All	R3008801				
21	Interface Cover	All	R3000601				
22	Reversing Valve (optional)	3000TR	R0575900				
23	Winterizing Drain Kit	2000, 2500, 3000	R0576000				
24	Power Interface PCB	All	R3009200				
25	Transformer	All	R0576200				
26	Run Capacitor (1 phase)	1500	R0576300				
26	Run Capacitor (1 phase)	2000, 2500, 3000	R0576400				
27	Fan Capacitor	1500	R0576500				
27	Fan Capacitor	2000, 2500, 3000	R0576600				
28	Hard Start Capacitor	1500	R0576700				
29	Contactors (1 phase)	All (1 Phase)	R0576800				
29	Contactors (3 phase),	All (3 Phase)	R0576900				

9.3 Zodiac® JE 1500 Heat Pumps Exploded View

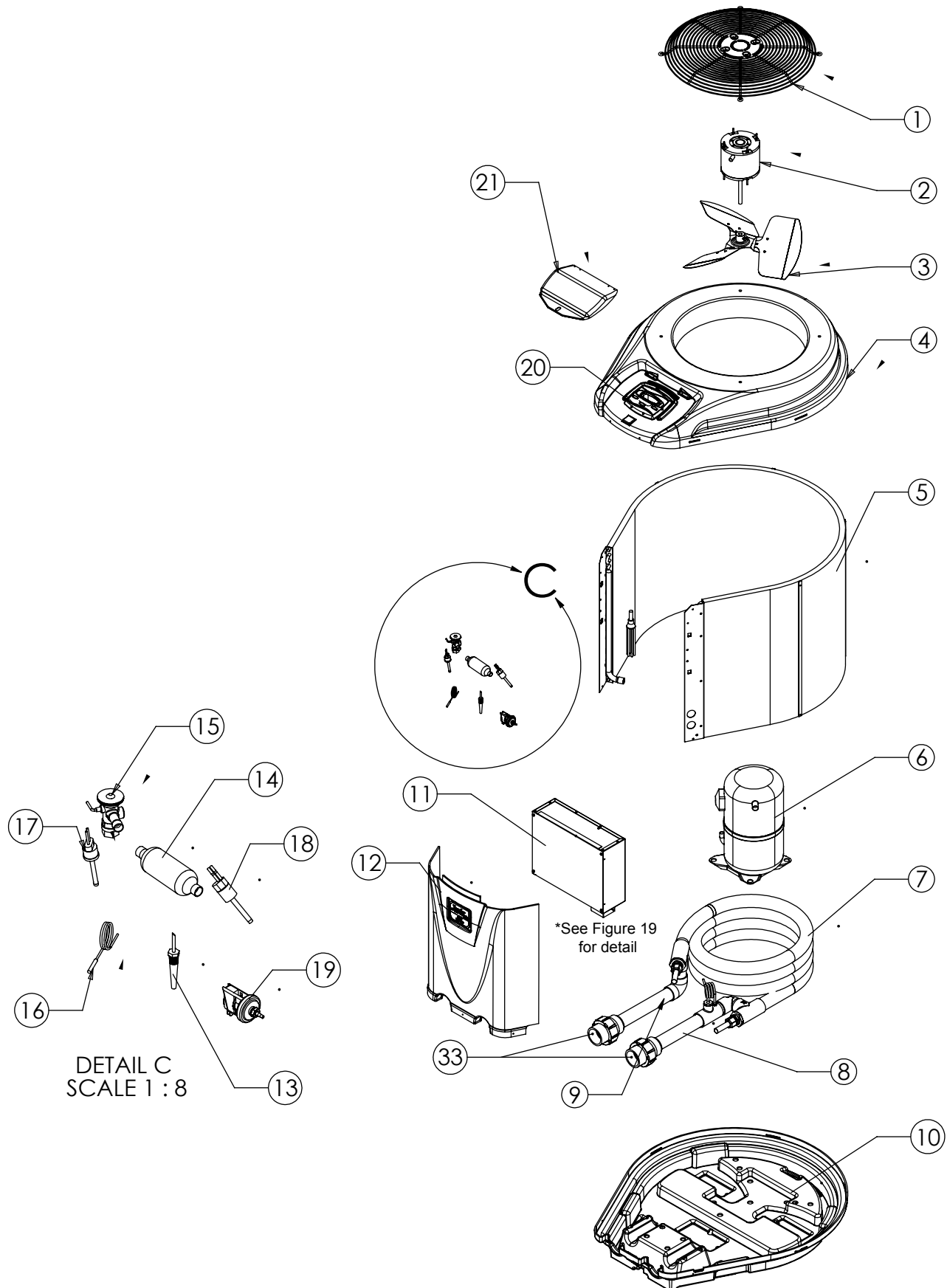


Figure 16. Zodiac JE Heat Pumps Exploded View (JE1500 Shown)

9.4 Zodiac® JE 2000, JE2500 & JE3000 Heat Pumps Exploded View

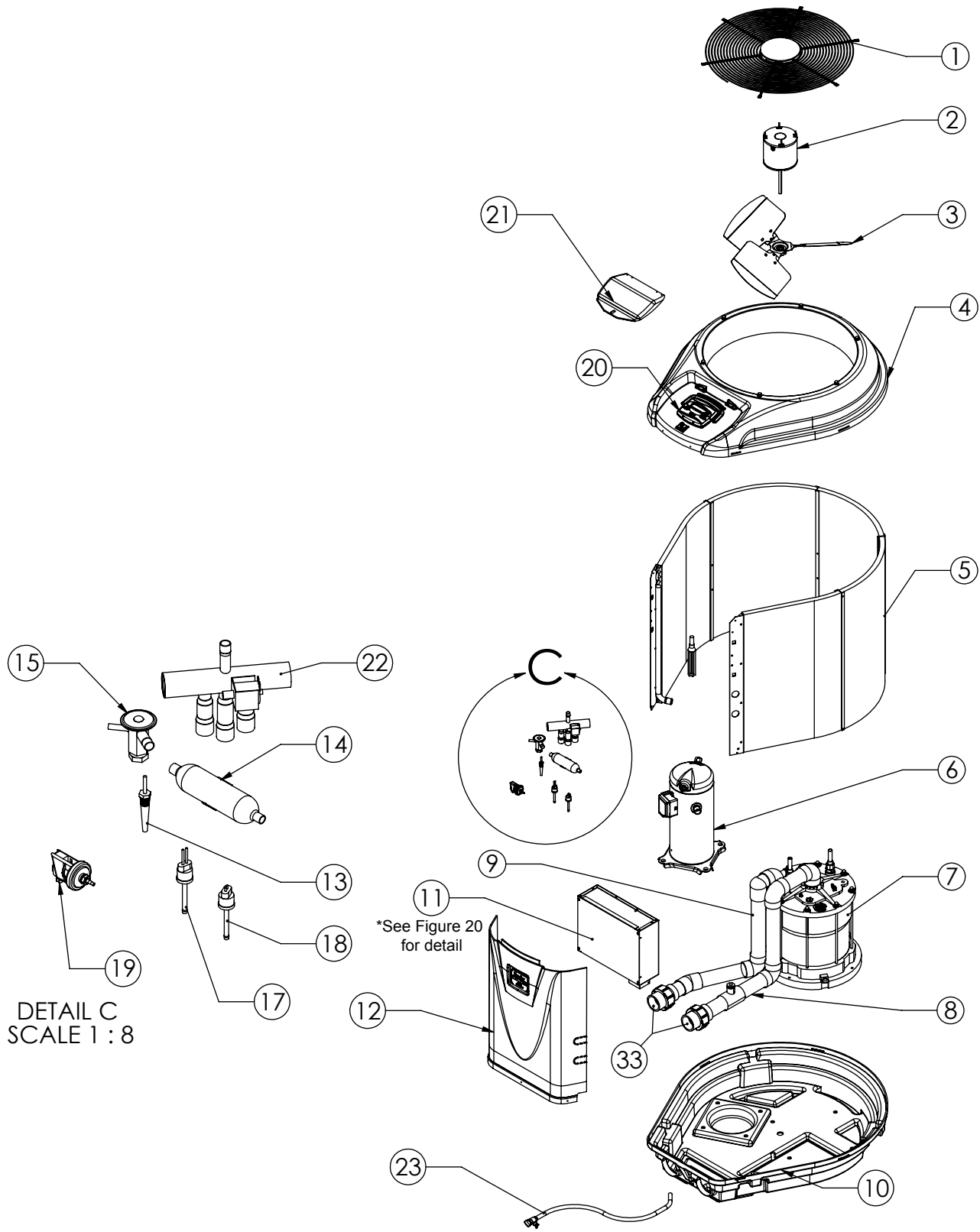


Figure 17. Zodiac JE Heat Pumps Exploded View (JE2000 Shown)

9.5 Zodiac® JE Single Phase Electric Box

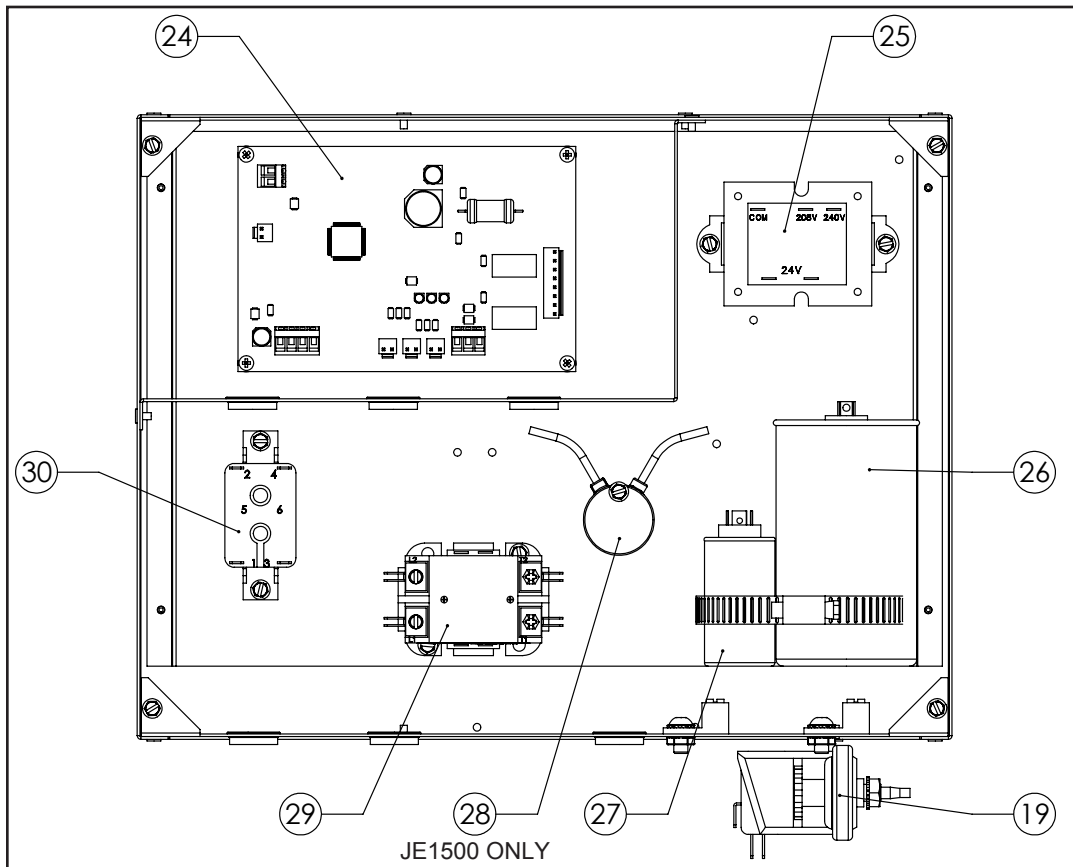


Figure 18. Zodiac JE Single Phase Electric Box

9.6 Zodiac® JE Three Phase Electric Box

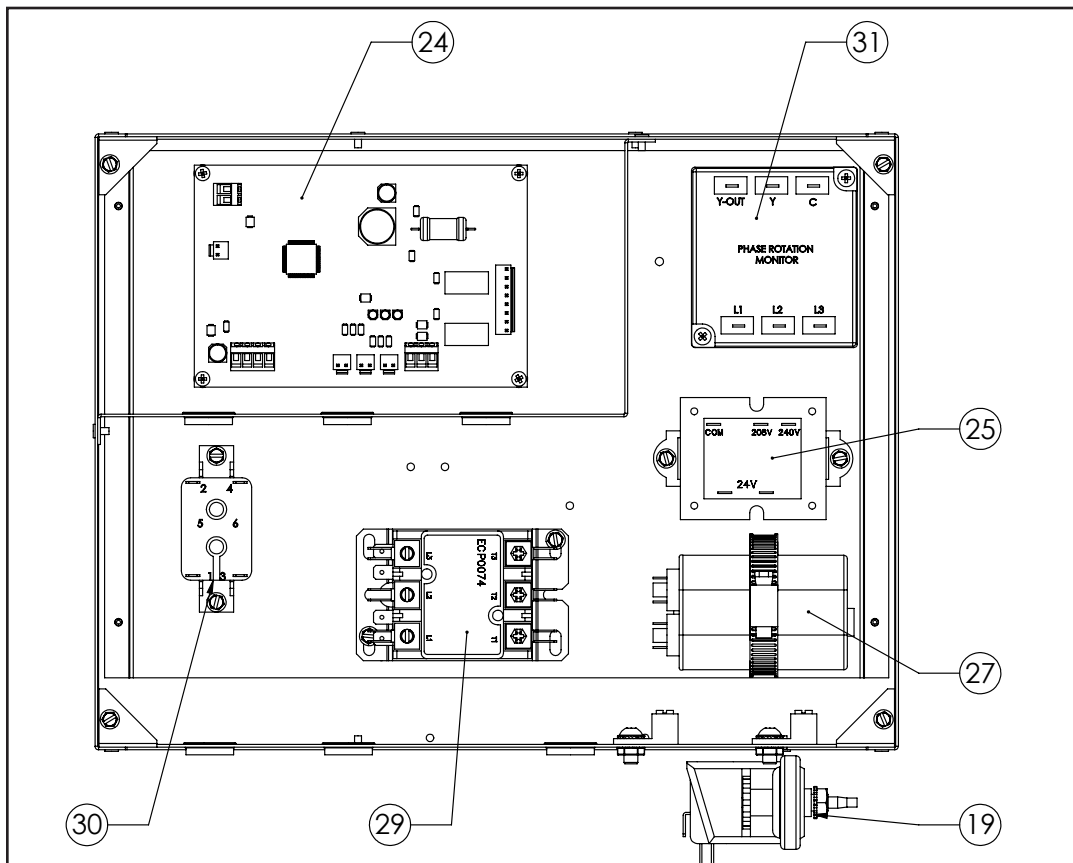


Figure 19. Zodiac JE Three Phase Electric Box

Zodiac Pool Systems, Inc.
2620 Commerce Way, Vista, CA 92081
1.800.822.7933 | www.ZodiacPoolSystems.com

Zodiac Pool Systems Canada, Inc.
2115 South Service Road West, Unit 3 Oakville, ON L6L 5W2
1-888-647-4004 | www.ZodiacPoolSystems.ca



ETL LISTED
CONFORMS TO
UL STD 1995
CERTIFIED TO
CAN/CSA C22.2 NO.236

ZODIAC® is a registered trademark of Zodiac International, S.A.S.U., used under license.
All trademarks referenced herein are the property of their respective owners.

©2013 Zodiac Pool Systems, Inc. H0408600 Rev C

