

## TS-20, TS-35, TS-50

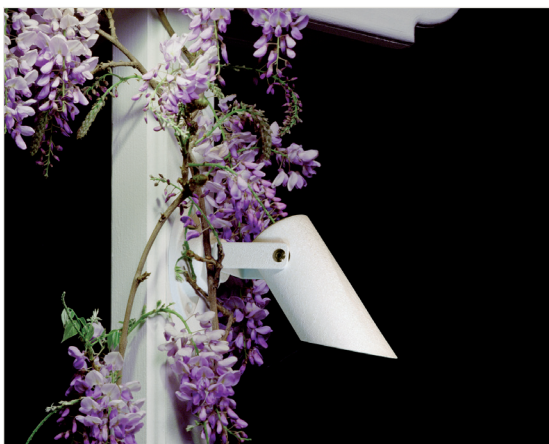


### SMOOTH, PRECISE MOONLIGHTING

Our TS is currently the most advanced micro down light available. Machined from aerospace grade aluminum alloy and finished with an industrial grade polyester powdercoat, the TS is built to last. The mounting base swivels and pivots on nylon bushings, allowing for smooth, precise aiming after installation.

This fixture is an outdoor “track light” giving the exterior lighting designer a full range of previously interior only lighting effects. Deep cowl provides unsurpassed glare control, thereby avoiding hot spots typical of most down lights.

Because of its micro size and high intensity, the TS-20 is a natural for moonlighting from small trees and down lighting from medium size patio trees. Specify TS-50 for larger specimens and controlled lighting.

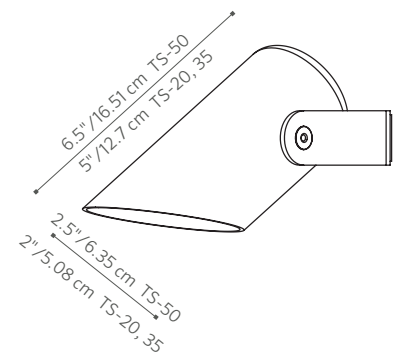


### Landscape Track Light

With a lamp range from 20-50 Watts, the TS series can introduce glare-free illumination to a wide variety of outdoor environments. This trellis provides a perfect platform for the TS, and the white finish blends in perfectly.

The copper will patina naturally over time and can be accelerated with solution spray.

*Note: This fixture is designed for down lighting only.*



# ORDERING INFORMATION



## TS: Down Light

**FACTORY INSTALLED OPTIONS: Order 1 + 2 + 3**

FIXTURE CODE	LAMP CODE	FINISH OPTIONS
<b>1</b> TS	<b>2</b> 20 (32° beam, 2,000 Hr Halogen)	<b>3</b> XX (see options to right)
	20V (18° beam, 2,000 Hr Halogen)	
	20V (6° beam, 2,000 Hr Halogen)	
	35 (32° beam, 2,000 Hr Halogen MR-11)	
	50 (25° beam, 2,000 Hr Halogen)	
	50N (10° beam, 2,000 Hr Halogen AR-20)	

The TS includes your choice of Halogen AR lamp and choice of finish. Field Installed Options must be ordered separately and will come in a separate box.

**FIELD INSTALLED OPTIONS: Order Individually**

### MOUNTING OPTIONS

**MJ-TS** (Mini J-Box, 3.5" x 2.125" x 1.32")

**VB-TS** (VersaBox, 2.5" x 2")



MJ-TS

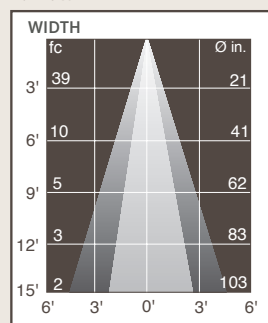


VB-TS

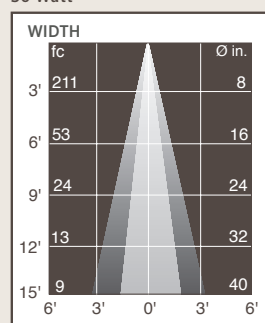
**EXAMPLE: TS-20-DG = TS - 20 W Halogen - Desert Granite Finish**

### PHOTOMETRICS:

20 Watt



50 Watt



**KEY**

**ø:** circle diameter in inches at that distance from the lamp.

**fc:** footcandle. For approximate conversion to lumens, multiply footcandles by 10.

### METALS



**CU** = Copper



**NP** = Nickel Plate

### POWDERCOAT



**WG** = White Gloss



**FW** = Flat White



**AL** = Almond



**BZ** = Bronze Metallic



**DG** = Desert Granite



**WI** = Weathered Iron



**VF** = Verde Speckle



**SB** = Sedona Brown



**FB** = Flat Black