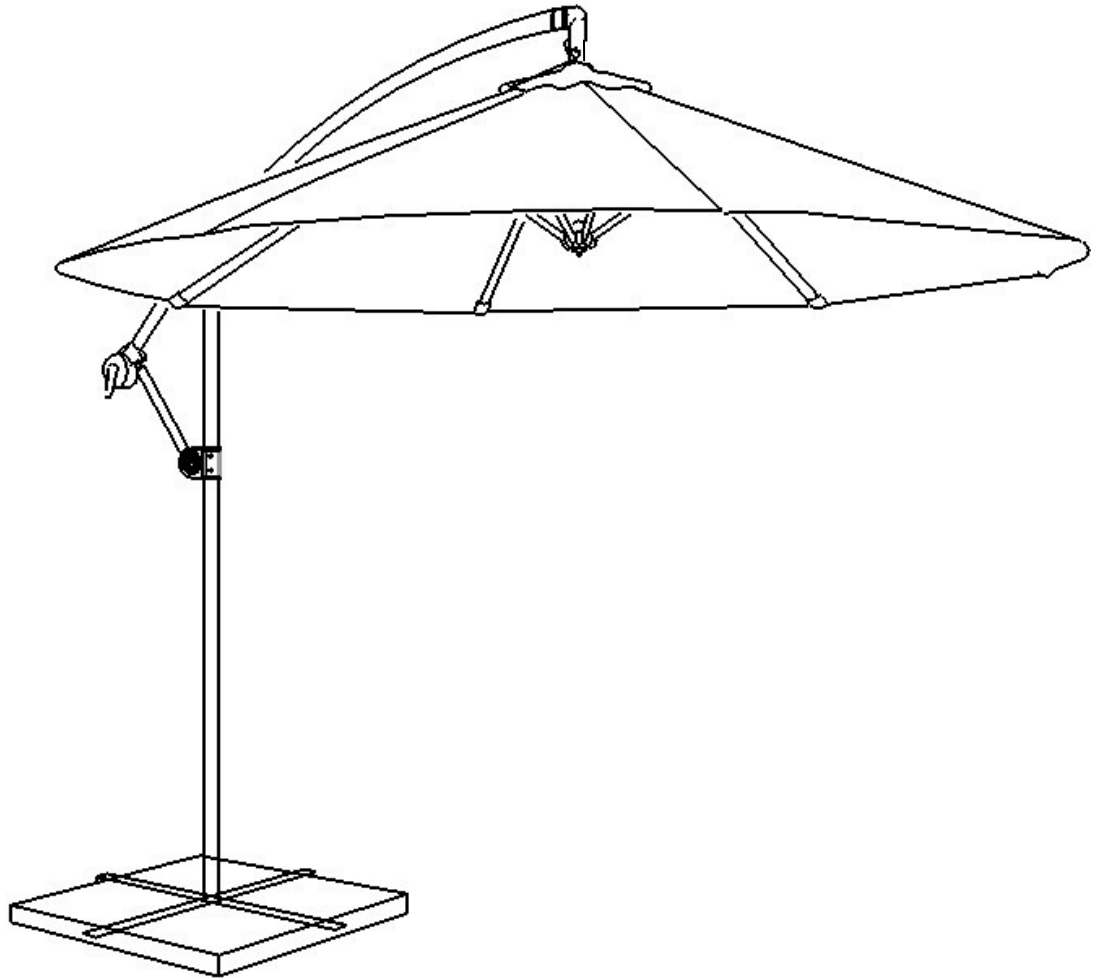
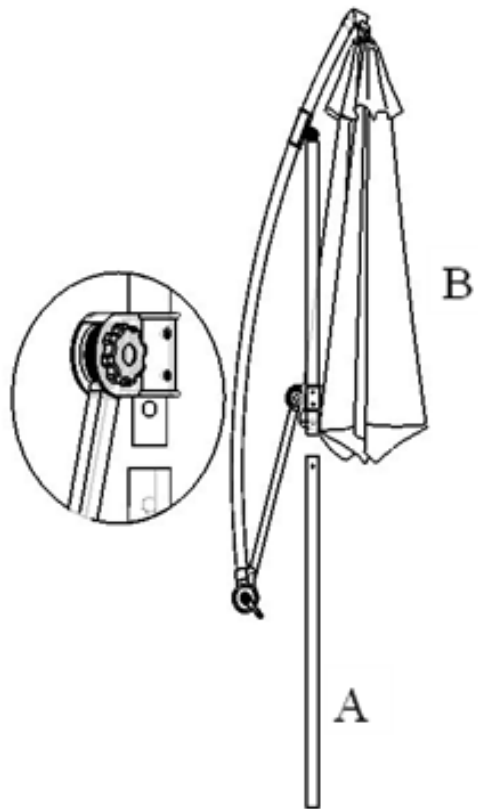


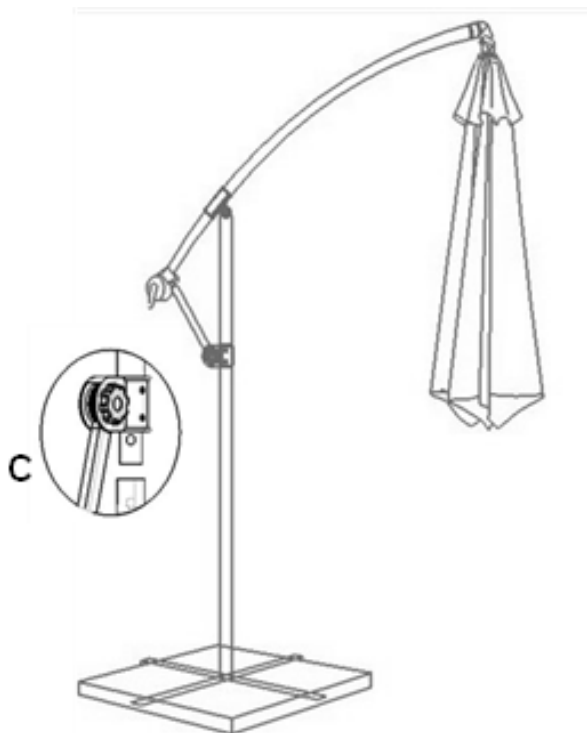
HANGING UMBRELLA



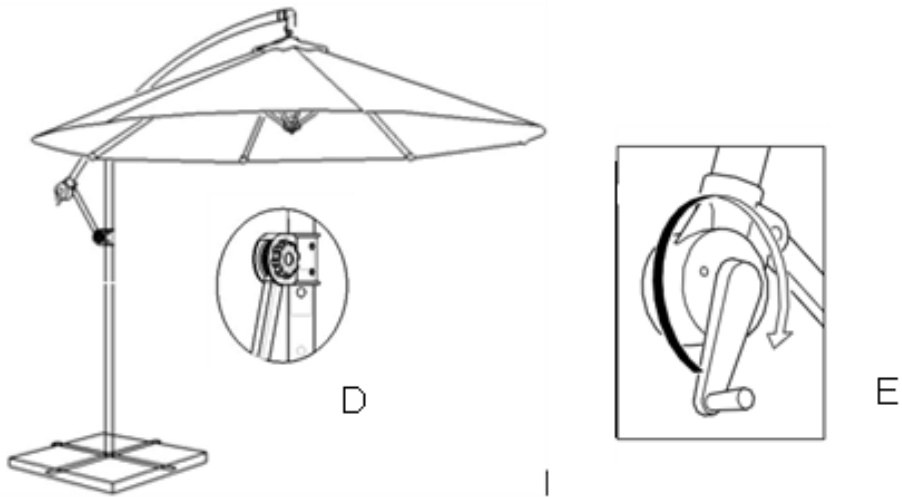
BLUE WAVE PRODUCTS



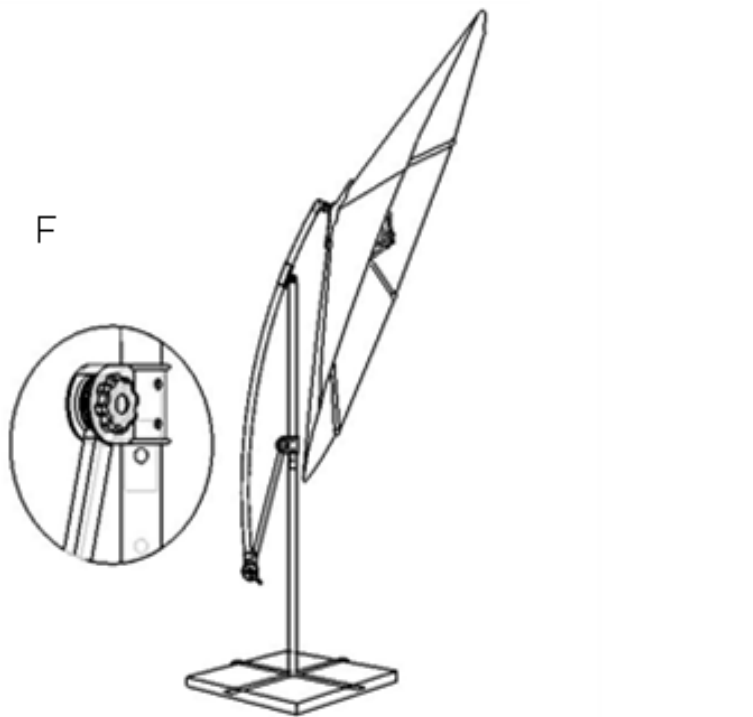
Put A pole into B up umbrella part



Open C pust up umbrella.



Close D. Use E Open umbrella



Open F. Then pull bend pole down, after close F

1. Please close umbrella in big wind day.
2. Please close umbrella at night