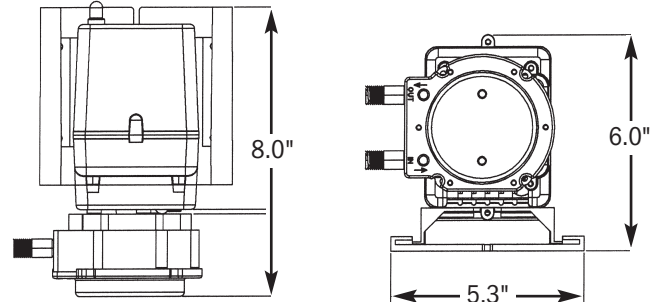
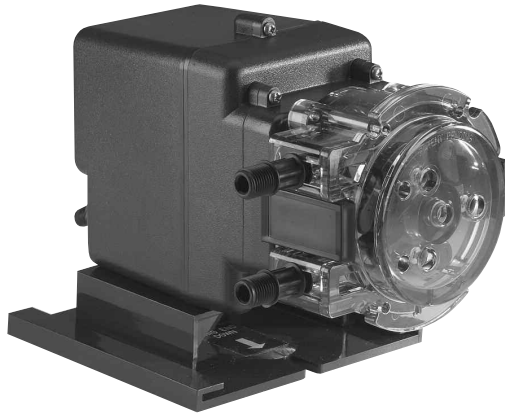
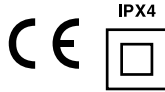
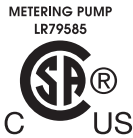
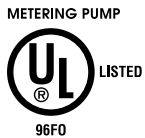


# CLASSIC SERIES SINGLE HEAD FIXED SPECIFICATIONS

**STENNER PUMPS®**



**Shipping Weight 8 lbs (3.4 kg)**



THIS PUMP IS TESTED AND CERTIFIED BY WQA ACCORDING TO NSF/ANSI 61 FOR CONTACT WITH SODIUM HYPOCHLORITE AND WATER ONLY AND NSF/ANSI 372.



**Intertek**  
94247  
**CONFORMS TO  
ANSI/NSF STD. 50**  
Equipment for swimming pools, spas, hot tubs and other recreational water facilities.  
USE ONLY WITH ANSI/NSF 50 LISTED CONTROLLERS

Listings vary by model

## FEATURES

- Fixed flow rate output
- Self-priming, does not lose prime or vapor lock
- Pumps off-gassing solutions and can run dry
- 3-point roller design assists with anti-siphon
- Tube replacement without tools
- Output reproducibility
- Tube lubrication not required
- Foot valve not required to prime
- Output volume not affected by back pressure
- Tubes and pump heads interchangeable between models
- Installation accessories included

# CLASSIC SERIES SINGLE HEAD FIXED SPECIFICATIONS

**STENNER PUMPS®**

## SPECIFICATIONS

**Flow Rate Output Control** Fixed output

**Maximum Working Pressure**  
25 psi (1.7 bar), 100 psi (6.9 bar)

**Maximum Operating Temperature**  
125°F (52°C)

**Maximum Suction Lift**  
25 ft (7.6 m) vertical lift, based on water

**Motor Type** 1/30 HP, shaded pole, class B

**Shaft RPM (average maximum)** 26 or 44

**Duty Cycle** Continuous

**Motor Voltage (Amp Draw)**  
120V 60Hz 1PH (1.7)  
220V 60Hz 1PH (0.9)  
230V 50Hz 1PH (0.9)  
250V 50Hz 1PH (0.9)

**Power Cord Type**  
120V 60Hz, 220V 60Hz: SJTOW  
230V 50Hz, 250V 50Hz: H05VV-F

**Power Cord Plug End**  
120V 60Hz NEMA 5-15P  
220V 60Hz NEMA 6-15P  
230V 50Hz CEE CEE7/7  
250V 50Hz CEE CEE7/7

## MATERIALS OF CONSTRUCTION

**All Housings** Polycarbonate

**Pump Tube**  
Santoprene\*\* (FDA approved) or Versilon\*\*\*

**Check Valve Duckbill**  
Santoprene\*\* (FDA approved) or Pellethane\*\*

**Pump Head Rollers** Polyethylene

**Roller Bushings** Oil impregnated bronze

**Suction/Discharge Tubing, Ferrules**  
Polyethylene (FDA approved)

**Tube and Injection Fittings**  
PVC or Polypropylene (both NSF listed)

**Connecting Nuts**  
PVC or Polypropylene (both NSF listed)

**3/8" Adapter**  
PVC or Polypropylene (both NSF listed)

**Suction Line Strainer and Cap**  
PVC or Polypropylene (both NSF listed); ceramic weight

**All Fasteners** Stainless steel

**Pump Head Latches** Polypropylene

## ACCESSORIES

**3** Connecting nuts 1/4" or 3/8"

**3** Ferrules 1/4" or 6 mm *Europe*

**1** Injection check valve 100 psi (6.9 bar) max.  
OR **1** Injection fitting 25 psi (1.7 bar) max.

**1** Weighted suction line strainer  
1/4", 3/8" or 6 mm *Europe*

**1** 20' Roll suction/discharge tubing  
1/4" or 3/8", white or UV black  
OR 6 mm White *Europe*

**1** Additional pump tube

**2** Additional latches

**1** Mounting bracket

**1** Manual

\* Santoprene® is a registered trademark of Exxon Mobil Corporation.

\*\* Versilon® is a registered trademark of Saint-Gobain Performance Plastics.

† Pellethane® is a registered trademark of Lubrizol Advanced Materials, Inc.

## FLOW RATE OUTPUT CHART

### Single Head Fixed - Flow Rate Output Chart 25 psi (1.7 bar) maximum

	Model	Item Number Prefix	Pump Tube	Gallons per Day	Gallons per Hour	Ounces per Minute	Liters per Day	Liters per Hour	Milliliters per Minute	Liters per Day	Liters per Hour	Milliliters per Minute
45 SERIES	45MP1	45MFL1	1	3.0	0.13	0.27	11.4	0.48	7.92	9.1	0.38	6.32
	45MP2	45MFL2	2	10.0	0.42	0.89	37.9	1.58	26.32	30.3	1.26	21.04
	45MP3	45MFL3	3	22.0	0.92	1.96	83.3	3.47	57.85	66.6	2.78	46.25
	45MP4	45MFL4	4	35.0	1.46	3.11	132.5	5.52	92.01	106.0	4.42	73.61
	45MP5	45MFL5	5	50.0	2.08	4.44	189.3	7.89	131.43	151.4	6.31	105.14
85 SERIES	85MP1	85MFL1	1	5.0	0.21	0.44	18.9	0.79	13.13	15.1	0.63	10.49
	85MP2	85MFL2	2	17.0	0.71	1.51	64.4	2.68	44.65	51.5	2.15	35.76
	85MP3	85MFL3	3	40.0	1.67	3.55	151.4	6.31	105.14	121.1	5.05	84.10
	85MP4	85MFL4	4	60.0	2.50	5.33	227.1	9.46	157.71	181.7	7.57	126.18
	85MP5	85MFL5	5	85.0	3.54	7.55	321.8	13.40	223.40	257.4	10.73	178.75
									Approximate Output @ 60Hz		Approximate Output @ 50Hz	

### Single Head Fixed - Flow Rate Output Chart 100 psi (6.9 bar) maximum

	Model	Item Number Prefix	Pump Tube	Gallons per Day	Gallons per Hour	Ounces per Minute	Liters per Day	Liters per Hour	Milliliters per Minute	Liters per Day	Liters per Hour	Milliliters per Minute
45 SERIES	45MPHP2	45MFH1	1	3.0	0.13	0.27	11.4	0.48	7.92	9.1	0.38	6.32
	45MPHP10	45MFH2	2	10.0	0.42	0.89	37.9	1.58	26.32	30.3	1.26	21.04
	45MPHP22	45MFH7	7	22.0	0.92	1.96	83.3	3.47	57.85	66.6	2.78	46.25
85 SERIES	85MPHP5	85MFH1	1	5.0	0.21	0.44	18.9	0.79	13.13	15.1	0.63	10.49
	85MPHP17	85MFH2	2	17.0	0.71	1.51	64.4	2.68	44.65	51.5	2.15	35.76
	85MPHP40	85MFH7	7	40.0	1.67	3.55	151.4	6.31	105.14	121.1	5.05	84.10
									Approximate Output @ 60Hz		Approximate Output @ 50Hz	

\* Injection check valve included with pumps rated 100 psi (6.9 bar) maximum.

**NOTICE:** The information within this chart is solely intended for use as a guide. The output data is an approximation based on pumping water under a controlled testing environment. Many variables can affect the output of the pump. Stenner Pump Company recommends that all metering pumps undergo field calibration by means of analytical testing to confirm their outputs. The information contained in this flyer is not intended for specific application purposes. Stenner Pump Company reserves the right to make changes to prices, products, and specifications at any time without prior notice.