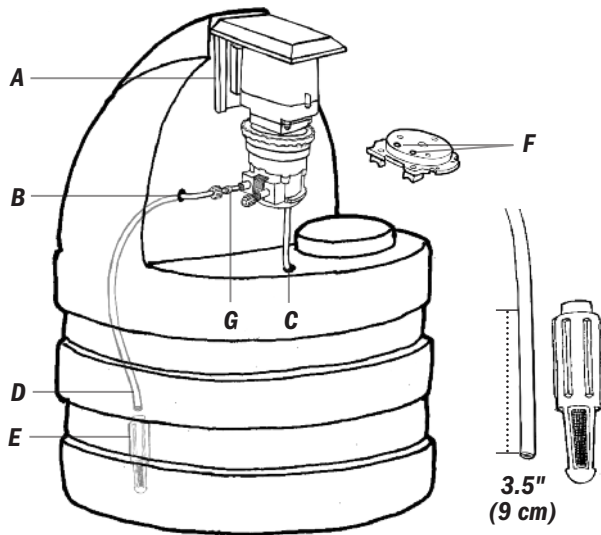


TANK ASSEMBLY INSTRUCTION

Classic Single Head Pumps and Econ and S Pump Lines



⚠ WARNING TO BE INSTALLED AND MAINTAINED BY PROPERLY TRAINED PROFESSIONAL INSTALLER ONLY. READ MANUAL & LABELS FOR ALL SAFETY INFORMATION & INSTRUCTIONS.

MOUNTING

CLASSIC SINGLE HEAD

Accessories
2 mounting bracket screws
2 grommets 1/4"
1 grommet 3/8"

- 1 Attach mounting bracket screw to the lowest hole in the tank and leave screw loose enough to slide the mounting bracket under the screw head. Then slide bracket **A** under the screw head.
- 2 Attach the 2nd mounting bracket screw to secure the top of the mounting bracket and tighten both screws. **DO NOT** slide pump into bracket at this time.

ECON PUMP LINE

Mounting Kit **EC303** required, sold separately.

GROMMETS

- 1 Measure, then mark location to drill hole for suction line hole **B**. Drill **C** only if using spill recovery. Only use 1/4" grommets in hole **C**.
- 2 Drill proper hole sizes. 3/8" drill bit for 1/4" grommet; 1/2" drill bit for 3/8" grommet.
- 3 Install applicable grommets into holes. **B** & **C** indicate the recommended hole locations which may vary based on the application or user's requirements.

IMPORTANT! Failure to clean all debris inside the tank prior to use may lead to pump tube rupture or malfunction.

SUCTION LINE

Parts required (shipped with pump)

1 20' suction/discharge tubing
1 connecting nut
1 ferrule
1 weighted strainer

- 1 Insert suction line through the grommet location **B** until it is 2"-3" from the bottom of the tank.
- 2 Remove fill cap.
- 3 Inside the tank, insert 4" of the suction line end **D** into the strainer **E**.
⚠ DO NOT slide suction line all the way to the bottom of the weighted strainer. The suction line could become flush with the nose of the strainer and the pump may not prime due to blockage.
- 4 Adjust suction line to maintain weight 2"-3" from the tank bottom.
IMPORTANT! DO NOT allow the weight to rest on the bottom of the tank.
- 5 Cut the suction line to leave approximately 9" from location **B**. The line will be connected to the suction side of the pump head in the Pump Attachment and Connections section below.

OPTIONAL SPILL RECOVERY

CLASSIC SINGLE HEAD

S PUMP LINE
(excluding **S4** prefix pumps)

- 1 Drill a 1/4" hole in tank surface below pump head **C**.
- 2 Unlatch and remove pump head cover.
- 3 Punch out one of two hole plugs using 7/32" punch or 7/32" drill **F**.
- 4 Reinstall pump head cover, secure latches.
- 5 Cut 6" section of 1/4" suction/discharge tubing and insert ends through **C** and **F**.

PUMP ATTACHMENT AND CONNECTIONS

CLASSIC SINGLE HEAD PUMPS

S PUMP LINE

- 1 Slide pump into mounting bracket **A**.
- 2 Connect suction line to suction side of the pump **G** with connecting nut and ferrule. Connection should be "finger tight" only. **DO NOT use thread tape or pipe dope.**
- 3 Complete the installation with the instructions found in the pump manual.

ECON PUMP LINE

- 1 Slide pump into mounting bracket **A**.
- 2 Connect suction line to suction side of the pump **G** with connecting nut and ferrule. Connection should be "finger tight" only. **DO NOT use thread tape or pipe dope.**
- 3 Complete the installation with the instructions found in the pump manual.