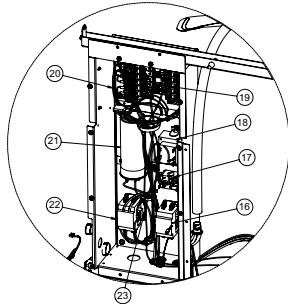


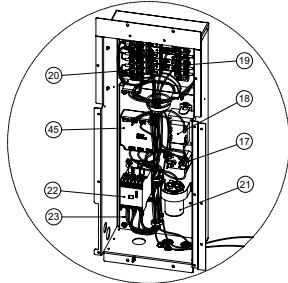
ULTRATEMP® HEAT PUMP

460928, 460929, 460930, 460931, 460932, 460933, 460934, 460935, 460936, 460937,
460938, 460958, 460959, 460960, 460961, 460962, 460963, 460964, 460965, 460967

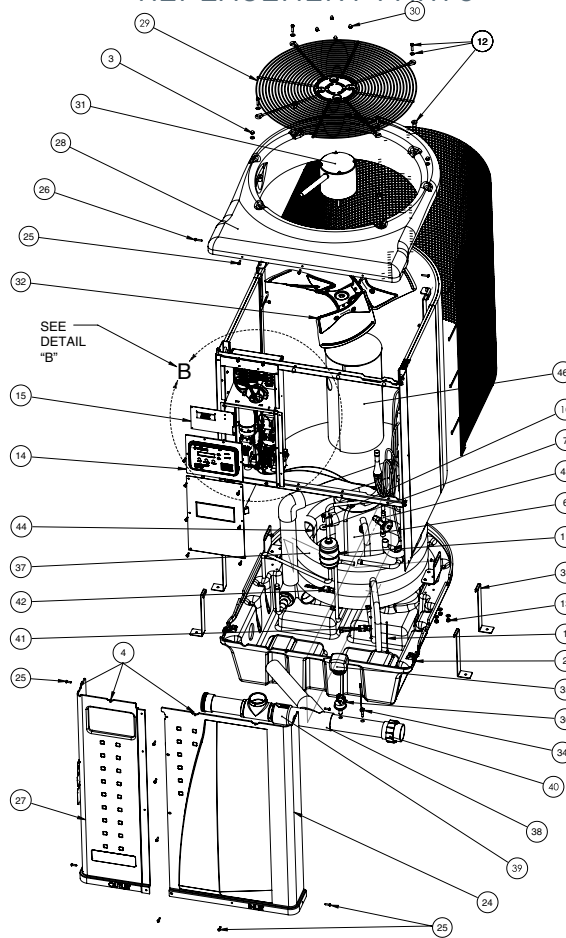
REPLACEMENT PARTS



DETAIL B - Single Phase



DETAIL B - Three Phase



CALIFORNIA PROPOSITION 65 WARNING
 ⚠️ WARNING: Cancer and Reproductive Harm.
 ⚠️ AVERTISSEMENT: Peut Causer le Cancer et des Dommages au Système Reproducteur.
 ⚠️ ADVERTENCIA: Cáncer y Daño Reproductivo.
www.p65warnings.ca.gov PH201714A

Item	Part No.	Description
ULTRATEMP REPLACEMENT PARTS		
1	473665	PROBE THERMISTOR DEFROST SENSOR
2	470284	NUT, J-CLIP
3	473285	NUT, 1/4-20 SS ACORN
4	470281	NUT, U-CLIP
5	473732	WIRE HARNESS, COMPRESSOR (1PH-60HZ)
5	474009	WIRE HARNESS, COMPRESSOR (1PH-50HZ)
5	474010	WIRE HARNESS, COMPRESSOR (3-PHASE MODELS)
6	473734Z	COMPRESSOR, SCROLL ZP83 (MODEL 120, 120HC, 140, 140 HC)
6	473735Z	COMPRESSOR, SCROLL ZP70 (MODEL 110)
6	474011Z	COMPRESSOR KIT, SCROLL ZP83 (3-PHASE MODEL 120C, 140C ONLY)
6	474241Z	COMPRESSOR SCROLL ZP61 (MODEL 90)
6	474291Z	COMPRESSOR SCROLL ZP49 (MODEL 70)
7	473295	FENDER WASHER
8	473736	COMPRESSOR ISOLATION KIT, GROMMET AND SPACER 1 SET
9	473745	BOLT 5/16-18 x 2 in. SS
10	98219800	BOLT 5/16-18 x 1 in. SS
11	473121	DRIER (ALL MODELS EXCEPT 120HC, 140HC)
11	473139	DRIER (MODEL 120HC, 140HC)
12	470441	FAN GUARD FASTENER KIT

ULTRATEMP® HEAT PUMP (CONT'D)

Item	Part No.	Description	Item	Part No.	Description
13	071406	NUT, 1/4-20 HEX SS	33	470137	TIE DOWN BRACKET
14/15	472734	BEZEL, CONTRL BOARD & LABEL KIT	34	471566	PROBE THERMISTER - WATER TEMPERATURE
16	473603	PUMP CONTACTOR AUTOHEAT (MODEL 70, 90, 110, 120, 120HC, 140, 140HC)	35	473606	WATER PRESSURE SWITCH BOOT
17	473150	FAN RELAY	36	473605	WATER PRESSURE SWITCH
17	474016	FAN RELAY (3PH-50HZ ONLY)	37	473992	TITANIUM HEAT EXCHANGER (FOR ALL MODELS BUILT PRIOR TO JAN 2017, EXCEPT MODELS 100I, 90I, 90, 70)
18	473155	TRANSFORMER	37	472736	TITANIUM HEAT EXCHANGER (FOR MODELS 100I & 90 ONLY, UNITS BUILT PRIOR TO JAN 2017)
18	473790	TRANSFORMER (3PH-50HZ ONLY)	37	472737	TITANIUM HEAT EXCHANGER (FOR MODELS 70 & 90I ONLY, UNITS BUILT PRIOR TO JAN 2017)
19	473422	WIRE HARNESS TERMINAL BLOCK-FAN, COMPRESSOR	37	475193Z	TITANIUM HEAT EXCHANGER (FOR ALL MODELS EXCEPT 70, UNITS BUILT AFTER JAN 2017)
20	473315	WIRE HARNESS, TERMINAL BLOCK-SENSORS	37	475219Z	TITANIUM HEAT EXCHANGER (FOR MODEL 70 ONLY, UNITS BUILT AFTER JAN 2017)
21	473731	CAPACITOR (MODEL 70, 90, 110, 120, 120HC, 140, 140HC ONLY)	38	473774Z	WATER BYPASS MANIFOLD W/ 2 STREET ELBOWS (PRIOR TO JAN. 2017)
21	473154	CAPACITOR (3-PHASE MODEL 120C, 140C ONLY)	38	475176Z	WATER MANIFOLD BYPASS KIT
21	470146	CAPACITOR (MODEL 100I)	39	R172305	WATER BYPASS CHECK VALVE
22	473149	CONTACTOR, HEAT PUMP (ALL SINGLE PHASE MODELS PRIOR TO 12/2014)	40	473381	UNION PVC 2 in.
22	473778	CONTACTOR, HEAT PUMP (3-PHASE MODELS; ALL SINGLE PHASE MODELS POST 2014)	41	473656	SWITCH, LOW PRESSURE
23	473423	WIRE HARNESS, MAIN (ALL SINGLE PHASE MODELS PRIOR TO 12/2014)	42	473744	SWITCH, HIGH PRESSURE
23	475112	WIRE HARNESS, MAIN (ALL SINGLE PHASE MODELS)	43	473787	THERMOSTATIC EXPANSION VALVE (MODEL 120, 120C, 90I)
23	474021	WIRE HARNESS, MAIN (3-PHASE MODEL 120C, 140C ONLY)	43	473999	THERMOSTATIC EXPANSION VALVE (MODEL 120HC, 110)
23	474031	WIRE HARNESS, MAIN (3-PHASE MODEL 90I ONLY)	43	474248	THERMOSTATIC EXPANSION VALVE (MODEL 100I)
24	473742	PANEL, FRONT RIGHT, 36 in. ALMD.	43	474242	THERMOSTATIC EXPANSION VALVE (MODEL 70, 90)
24	474194	PANEL, FRONT RIGHT, 36 in. BLACK	43	474327	THERMOSTATIC EXPANSION VALVE (MODELS 140, 140HC)
24	473431	PANEL, FRONT RIGHT (MODEL 100I ONLY)	44	473657	TITANIUM WATER COIL TIE DOWN STRAP (2 ON MODEL 70, 90I, 1 ON MODEL 90 & 100I) (PRIOR TO JAN. 2017)
24	473412	PANEL, FRONT RIGHT (MODEL 70, 90, 90I ONLY)	44	473772	TITANIUM WATER COIL TIE DOWN STRAP (1 ON ALL MODELS EXCEPT MODEL 90I) (PRIOR TO JAN. 2017)
24	474265	PANEL, FRONT RIGHT (MODEL 70 BLACK, 90 BLACK)	44	473789	TITANIUM WATER COIL TIE DOWN STRAP (1 ON ALL MODELS EXCEPT MODELS 90, 90I & 100I) (PRIOR TO JAN. 2017)
25	470159	SCREW #10 x .75 in. PAN HEAD PHILLIPS, ALMOND HEAD	44	475194	TITANIUM WATER COIL TIE DOWN, RIGHT SIDE
25	474198	SCREW #10 x .75 in. PAN HEAD PHILLIPS, BLACK HEAD	44	475195	TITANIUM WATER COIL TIE DOWN, LEFT SIDE
26	470161	SCREW #10 x 1 in. BUTTON HEAD TORX, ALMOND HEAD	45	474089	PHASE MONITOR
26	474197	SCREW #10 x 1 in. BUTTON HEAD TORX, BLACK HEAD	46	475231Z	COMPRESSOR BLANKET
27	473755	PANEL, FRONT LEFT, W/ DECAL	NOT SHOWN		
27	474196	PANEL, FRONT LEFT, W/ DECAL, 36 in. BLACK	473135	REVERSING VALVE (Model 120HC, 140HC) HEAT COOL ONLY	
27	474202	PANEL, FRONT LEFT, W/ DECAL (MODEL 100I ONLY), 36 in.	473432	REVERSING SOLENOID (Model 120HC, 140HC) HEAT COOL ONLY	
27	474203	PANEL, FRONT LEFT, W/ DECAL (MODEL 70, 90, & 90I ONLY)	474270Z	TITANIUM COIL WATER SIDE REPAIR KIT (FOR HEAT EXCHANGER BUILT PRIOR TO JAN. 2017)	
27	474267	PANEL, FRONT LEFT, W/ DECAL, 24 in. BLACK	474237	COMPRESSOR HARNESS CLIP	
28	473773	HP TOP	461030Z	WATER UNION & TIE DOWN KIT	
28	474193	HP TOP, BLACK	474321	3 in. RECEIVER (Model 140, 140HC)	
29	473786	GUARD, FAN	473054Z	COIL GUARD	
30	470439	NUT, #10-32 SS ACORN	475232	MALE HOSE BARB 5/8" X 1/2" NPT	
31	473785	FAN MOTOR W/ ACORN NUT KIT	472409	CoreMax Valve Core	
31	474030Z	FAN MOTOR W/ ACORN NUT KIT (MODEL 90I ONLY)	071426	O-ring for Union	
31	474323Z	FAN MOTOR W/ACORN NUT KIT (MODEL140 & 140HC ONLY)			
32	473783	FAN BLADE (60 Hz)			
32	474230	FAN BLADE (50 Hz)			
32	474322	FAN BLADE (MODELS 140 & 140HC ONLY)			