

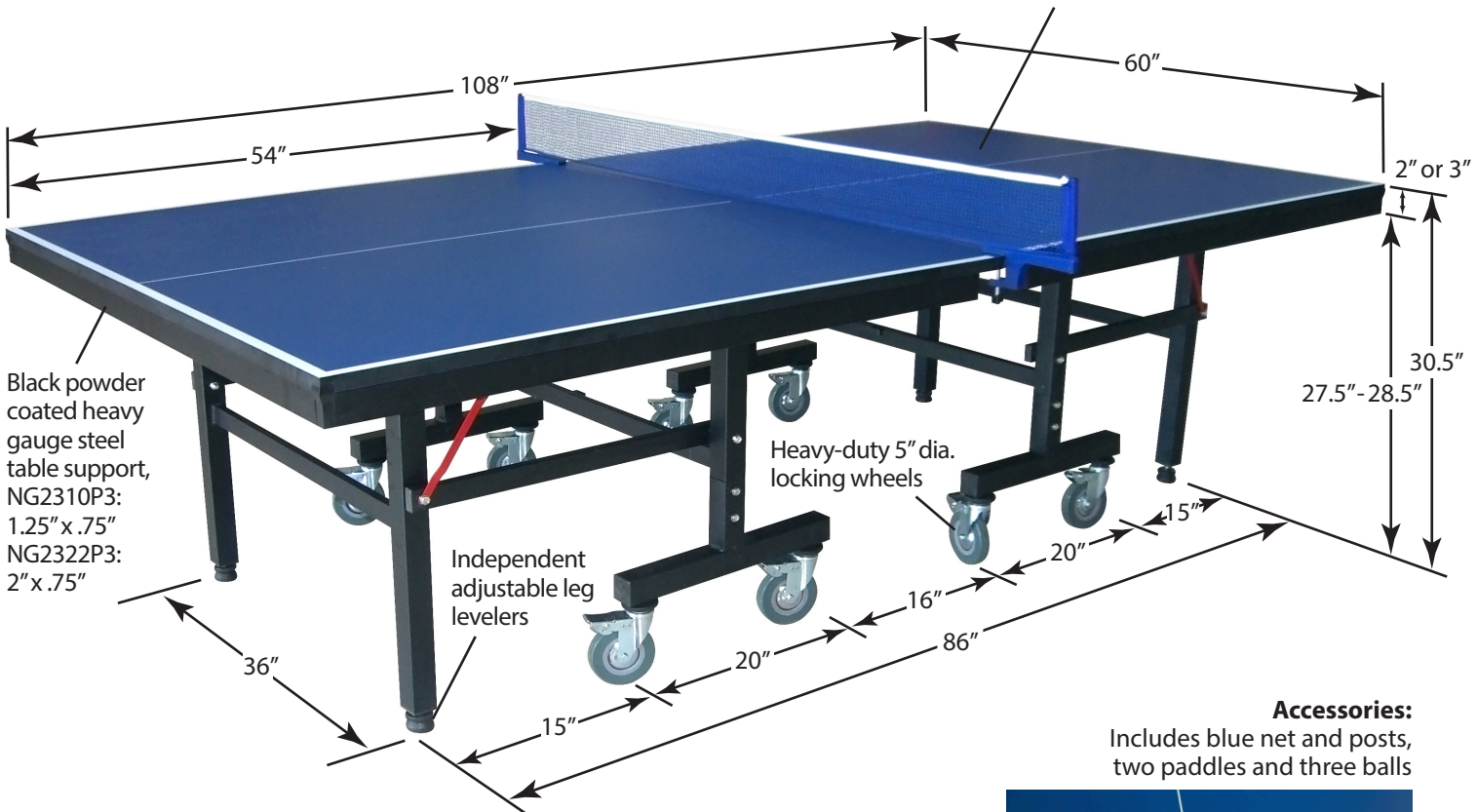
BACKSTOP & VICTORY TABLE TENNIS - NG2310P3 / NG2322P3

Spec Sheet

ALL measurements are common except as listed below.

Item No.	Measurements			UPC Code
	Legs	Top	Top Support Frame	
NG2310P3	1.25" sq.	3/4" MDF	1.25" x .75"	672875902590
NG2322P3	2" sq.	1" MDF	2" x .75"	672875902606

Playing surface is 3/4" (NG2310P3) or 1" (NG2322P3) thick CARB certified MDF with 20 layers of coating. Surface must be smooth and level, with no blemishes.



Accessories:
Includes blue net and posts, two paddles and three balls



Storage Dimensions
NG2310P3: 60" x 36" x 64"
NG2322P3: 60" x 40" x 65"

Table must meet INTERNATIONAL TABLE TENNIS FEDERATION (ITTF) standards.



Built in hinge and locking system to allow folding for storage and playback position. Includes pre-installed accessory storage bag.

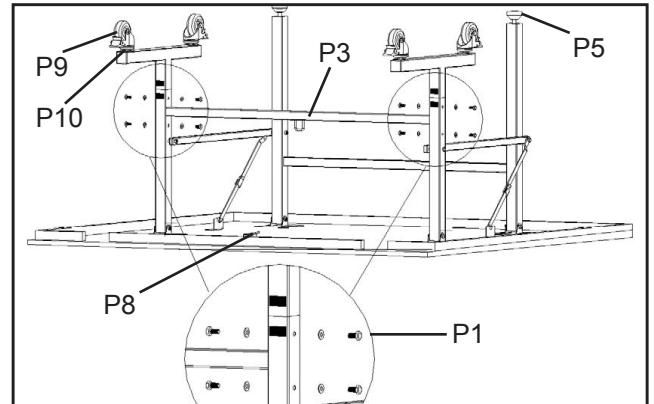
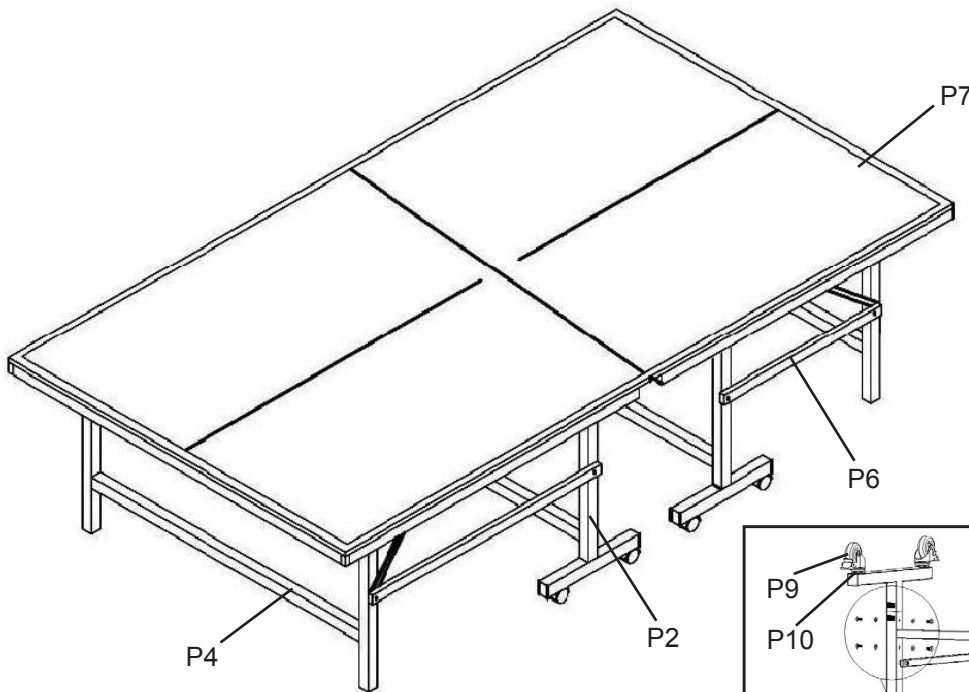
Leg Frame is 1.5" sq. (NG2310P3) or 2" (NG2322P3) black powder coated heavy gauge steel.



Locking safety mechanism should meet US & European standards.

BACKSTOP TABLE TENNIS - NG2310P3


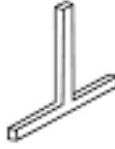
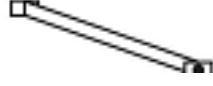



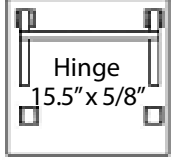
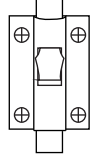

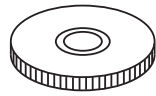
Spec Sheet



ACCESORIES

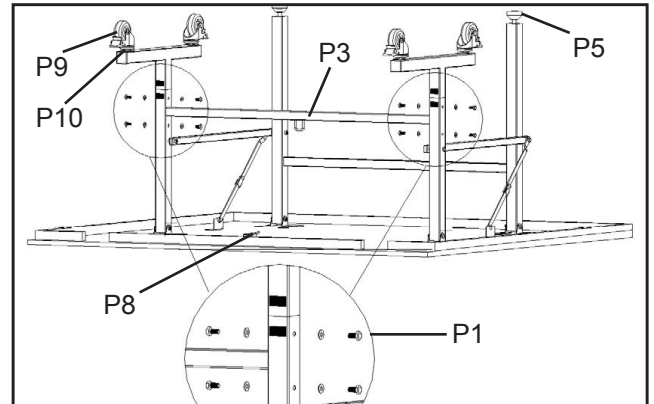
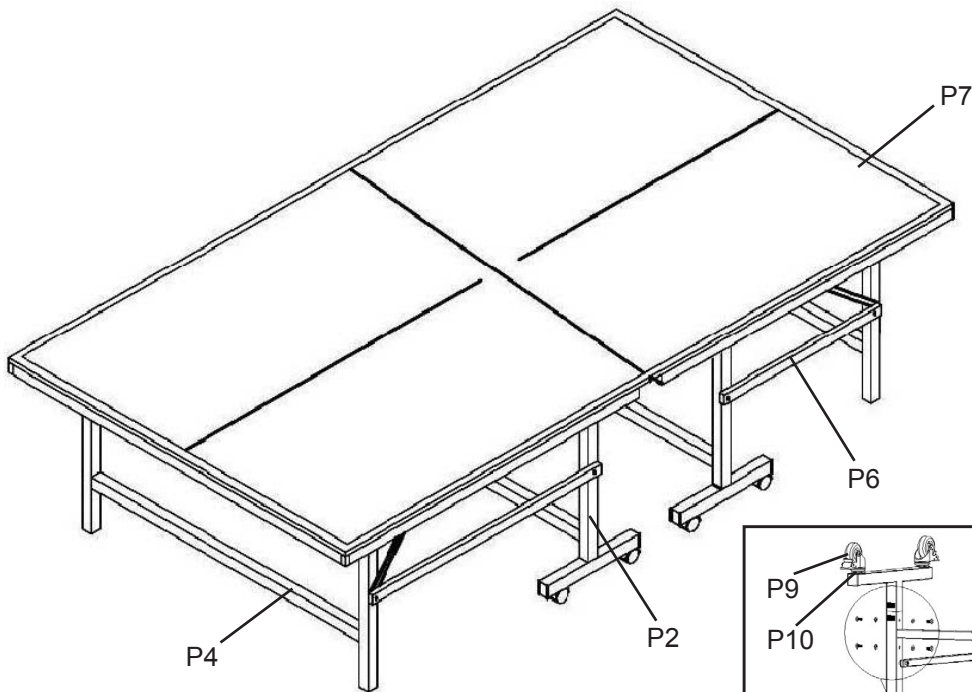
NGP5944 Paddles and Balls Set
 NGP5945 Net and Posts Set

PARTS

<p>P1 NGP5899 1/4" x 2" Steel Bolt w/ Washer & Lock Nut</p>  <p>LEG BOLT SET 8 pcs</p>	<p>P2 NGP5900 17.5" x 7.625" 1.5" x 1.5" Sq. Steel</p>  <p>T-INNER LEG 4 pcs</p>	<p>P3 NGP5901 43" x 14.25" 1.5" x 1.5" Sq. Steel 1.5" x .75" Cross Brace</p>  <p>CROSS BAR 2 pcs</p>	<p>P4 NGP5902 36" x 27" 1.5" x 1.5" Sq. Steel 1.5" x .75" Cross Brace</p>  <p>OUTER LEG 2 pcs</p>	<p>P5 NGP5903 1.5" Dia. x 2" ABS</p>  <p>LEVELER 4 pcs</p>
<p>P6 NGP5904 25.5" x 1.5" x .75" Powder Coated Steel</p>  <p>CONTROL BRACE 4 pcs</p>	<p>P7 NGP5905 60" x 54" x 2" 3/4" MDF & Steel</p>  <p>TABLE HALF 2 pcs</p>	<p>P8 NGP5906 1.5" x 2.5" x 1" Steel</p>  <p>SAFETY LOCK 2 pcs</p>	<p>P9 NGP5907 5" Dia. Wheel x 7"</p>  <p>WHEEL 8 pcs</p>	<p>P10 NGP5930 2.5" Dia. x .25" ABS</p>  <p>WHEEL WASHER 8 pcs</p>

VICTORY TABLE TENNIS - NG2322P3

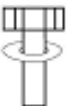
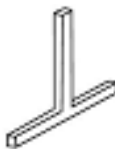




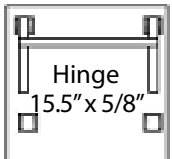
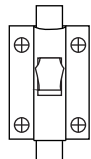

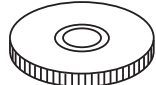
Spec Sheet



ACCESORIES

- NGP5944 Paddles and Balls Set
- NGP5945 Net and Posts Set

PARTS

<p>P1 NGP5946 1/4" x 2.5" Steel Bolt w/ Washer & Lock Nut</p>  <p>LEG BOLT SET 8 pcs</p>	<p>P2 NGP5908 20" x 7.375" 2" x 2" Sq. Steel</p>  <p>T-INNER LEG 4 pcs</p>	<p>P3 NGP5909 43" x 14.25" 2" x 2" Sq. Steel 1.5" x .75" Cross Brace</p>  <p>CROSS BAR 2 pcs</p>	<p>P4 NGP5910 36" x 27" 2" x 2" Sq. Steel 1.5" x .75" Cross Brace</p>  <p>OUTER LEG 2 pcs</p>	<p>P5 NGP5911 2" Dia. x 2" ABS</p>  <p>LEVELER 4 pcs</p>
<p>P6 NGP5912 25.5" x 1.5" x .75" Powder Coated Steel</p>  <p>CONTROL BRACE 4 pcs</p>	<p>P7 NGP5913 60" x 54" x 3" 1" MDF & Steel</p>  <p>TABLE HALF 2 pcs</p>	<p>P8 NGP5906 1.5" x 2.5" x 1" Steel</p>  <p>SAFETY LOCK 2 pcs</p>	<p>P9 NGP5907 5" Dia. Wheel x 7"</p>  <p>WHEEL 8 pcs</p>	<p>P10 NGP5930 2.5" Dia. x .25" ABS</p>  <p>WHEEL WASHER 8 pcs</p>