

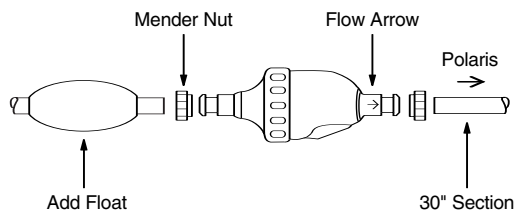
Polaris 380 In-line Back-up Valve Conversion Kit Installation Instructions

This Kit Contains:

- One Back-up Valve
- Two Mender Nuts
- One Float
- One Feed Pipe/Timer Blank Assembly
- One Base Weight
- One O-ring
- Two Jet Retainers

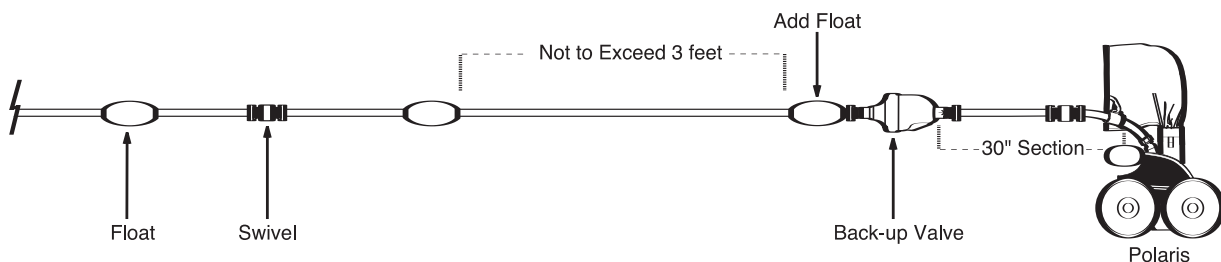
Changes to the Feed Hose

1. Cut the hose 30" from the Polaris.
2. Install the float as shown below. It may be helpful to trim the end of the hose at an angle so the hose can be pulled through the float with needle-nose pliers.
3. Attach the back-up valve to the hose with the flow arrow pointing toward the Polaris.



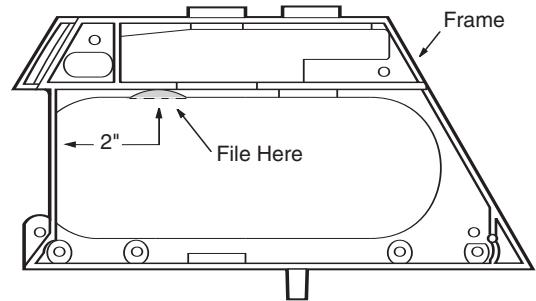
4. Push the new float as close to the back-up valve as possible.
5. The Polaris in-line back-up valve and float should be installed 30" from the Polaris. Once installed, the hose should look like the one below.

Proper In-line Back-up Valve Placement



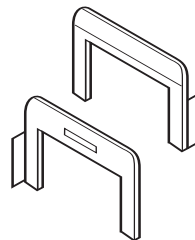
Changes to the Cleaner

1. Remove the bag, head float, top, feed pipe, drive train and back-up timer. Discard the back-up timer and old feed pipe.
2. If the frame has not already been notched, file the frame to provide proper clearance for the feed pipe/timer blank assembly.

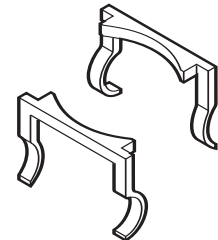


3. If the jet retainers are the old style shown below, remove them by breaking the glue joint with a flat blade screwdriver. If they are the new style jet retainers, skip to step 5.

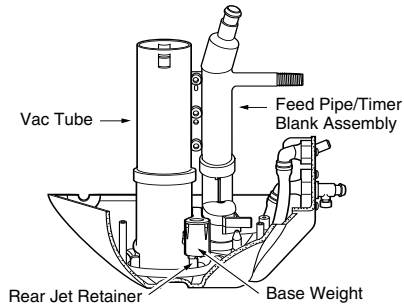
Old Style



New Style



4. Hold the water management system in place and snap in the new jet retainers.
5. Place the new base weight on the rear jet retainer with the weight flush against the vacuum tube.



6. Reinstall the frame onto the base of the cleaner and reinstall the four screws, leaving them loose.
7. Place the o-ring onto the new feed pipe/timer blank assembly.
8. Install the new feed pipe/timer blank assembly.
9. Tighten the four screws into the frame.
10. Reassemble the cleaner.