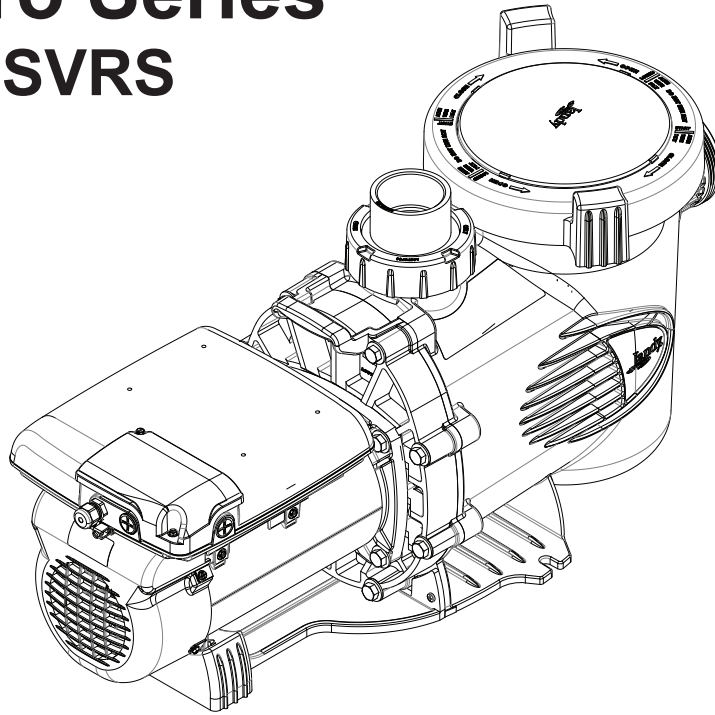




INSTALLATION AND OPERATION MANUAL

ENGLISH | FRANÇAIS | ESPAÑOL

Jandy Pro Series ePump™ + SVRS



WARNING

Safety Vacuum Release System (or SVRS) may prevent full body entrapment; SVRS does not protect against hair entrapment, mechanical entrapment, limb entrapment and/or evisceration.

FOR YOUR SAFETY - This product must be installed and serviced by a contractor who is licensed and qualified in pool equipment by the jurisdiction in which the product will be installed where such state or local requirements exist. The maintainer must be a professional with sufficient experience in pool equipment installation and maintenance so that all of the instructions in this manual can be followed exactly. Before installing this product, read and follow all warning notices and instructions that accompany this product. Failure to follow warning notices and instructions may result in property damage, personal injury, or death. Improper installation and/or operation will void the warranty.



Improper installation and/or operation can create unwanted electrical hazard which can cause serious injury, property damage, or death.

ATTENTION INSTALLER - This manual contains important information about the installation, operation and safe use of this product. This information should be given to the owner/operator of this equipment.

Table of Contents

<p>Section 1. Important Safety Instructions 3</p> <p> 1.1 Safety Instructions 3</p> <p> 1.2 Pool Pump Suction Entrapment Prevention Guidelines 6</p> <p> 1.3 Virginia Graeme Baker Pool and Spa Safety Act 7</p> <p>Section 2. General Description 8</p> <p> 2.1 Introduction 8</p> <p> 2.2 Description 8</p> <p>Section 3. Installation Information 8</p> <p> 3.1 Plumbing 8</p> <p> 3.2 Electrical Installation 10</p> <p> 3.3 ePump Dip Switch Settings 13</p> <p> 3.4 Auxiliary Load Operation 13</p> <p> 3.5 Pressure Testing 14</p> <p> 3.6 Conducting Pressure Test 16</p> <p> 3.7 SVRS Testing 16</p>	<p>Section 4. Operation 16</p> <p> 4.1 Start-up 16</p> <p> 4.2 SVRS Tripping 17</p> <p>Section 5. Service and Maintenance 17</p> <p> 5.1 Routine Maintenance 17</p> <p> 5.2 Winterizing the Pump 17</p> <p>Section 6. Troubleshooting and Repair 18</p> <p> 6.1 Service Technician Maintenance 18</p> <p> 6.2 Troubleshooting 19</p> <p>Section 7. Product Specifications and Technical Data 21</p> <p> 7.1 Replacement Parts List and Exploded View 21</p> <p> 7.2 Performance Curves 23</p> <p> 7.3 Physical and Operational Specifications 23</p>
--	---

EQUIPMENT INFORMATION RECORD

DATE OF INSTALLATION _____

INSTALLER INFORMATION _____

INITIAL PRESSURE GAUGE READING (WITH CLEAN FILTER) _____

PUMP MODEL _____

HORSEPOWER _____

NOTES: _____

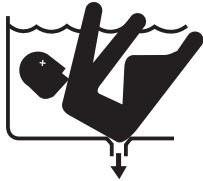
Section 1. IMPORTANT SAFETY INSTRUCTIONS

READ AND FOLLOW ALL INSTRUCTIONS

1.1 Safety Instructions

All electrical work must be performed by a licensed electrician and conform to all national, state, and local codes. When installing and using this electrical equipment, basic safety precautions should always be followed, including the following:

WARNING



RISK OF SUCTION ENTRAPMENT HAZARD, WHICH, IF NOT AVOIDED, CAN RESULT IN SERIOUS INJURY OR DEATH. Do not block pump suction, as this can cause severe injury or death. Do not use this pump for wading pools, shallow pools, or spas containing bottom drains, unless the pump is connected to at least two (2) functioning suction outlets. Drain covers must be certified to the latest published edition of ANSI®/ASME® A112.19.8 or its successor standard, ANSI/APSP-16. It is absolutely critical that the suction plumbing be installed in accordance with the latest national and local codes for swimming pools.

WARNING

A hydrostatic valve installed in the suction piping of the pool circulation system can increase the time that high vacuum is present at the suction outlet, even if an SVRS device is installed in the system.

IN ORDER TO PREVENT RISK OF SERIOUS INJURY OR DEATH. Do NOT use suction check valves and/or hydrostatic valves with this pump.

- The SVRS feature of this pump may not operate effectively when the pump is installed more than 3 feet above or below the water level of the pool. Therefore, to reduce the risk of suction entrapment, which can result in serious injury or death, **DO NOT INSTALL THE PUMP MORE THAN 3 FEET ABOVE OR 3 FEET BELOW** the water level of the pool/spa.

WARNING

This pump has a motor equipped with a Safety Vacuum Release System (SVRS) that complies with ANSI/ASME A112.19.17. SVRS helps prevent full-body entrapment on drains due to suction. In some pools, if a person's body covers the suction outlet (drain), they can be trapped by suction. If this occurs, a SVRS can act to release the suction to help prevent drowning.

SVRS does NOT protect against other suction-outlet (drain) hazards such as:

- Hair entanglement - hair tangled/caught in suction-outlet
- Mechanical Entrapment -- jewelry, swimsuits, fingers, etc... caught in suction outlet.
- Limb Entrapment - arms or legs trapped in uncovered or broken drains.
- Evisceration/Disembowelment - suction force at suction-outlet can pull lower intestine out of rectum, causing irreversible damage.

WARNING

Properly designed and installed suction-outlet covers help protect against all of the above hazards. This SVRS pump is NOT a substitute for a properly designed and installed suction-outlet cover. All suction outlets must be equipped with their designated covers and the complete Suction Outlet Fitting Assembly (SOFA) must be in good condition and must be certified and marked to indicate compliance with ANSI/ASME A112.19.8, or its successor standard ANSI/APSP-16, the standard for Suction Fittings for use in Swimming Pools, Wading Pools, Spas, and Hot Tubs.

WARNING

Prior to bather use, the ePump + SVRS should be tested for proper functionality in the following manner. A ball, butterfly, or sliding gate valve shall be installed within 2 ft. (0.6m) upstream from the ePump + SVRS (between the ePump + SVRS and the protected suction outlet), or a test mat shall be used to cover the suction outlet to simulate an entrapment event. There shall be three simulated entrapment tests conducted to verify proper adjustment and operation of the device.

⚠ WARNING

The SVRS feature on this pump is inactive up to ten (10) minutes after power up. During this period, the pump does not monitor blocked suction or discharge system condition. Keep bathers out of the pool when SVRS is not active, such as during the first ten (10) minutes after power up.

⚠ WARNING

To reduce the risk of injury, do not permit children and/or adults not familiar and experienced with the operation of swimming pool pumps to use this product unless they are closely supervised at all times.

⚠ WARNING

RISK OF ELECTRIC SHOCK, FIRE, PERSONAL INJURY, OR DEATH. Always disconnect power to the pump at the circuit breaker and remove the RS-485 communication cable from the pump before servicing the pump.

⚠ WARNING

To reduce the risk of property damage or injury, do not attempt to change the backwash (multiport, slide, or full flow) valve position with the pump running.

⚠ WARNING

Jandy Pumps are powered by a high-voltage electric motor and must be installed by a licensed or certified electrician or a qualified swimming pool service technician.

⚠ WARNING

Due to the potential risk of fire, electric shock, or injuries to persons, Jandy Pumps must be installed in accordance with the National Electrical Code® (NEC®), all local electrical and safety codes, and the Occupational Safety and Health Act (OSHA). Copies of the NEC may be ordered from the National Fire Protection Association, 470 Atlantic Ave., Boston, MA 02210, or from your local government inspection agency.

⚠ WARNING

RISK OF ELECTRIC SHOCK, FIRE, PERSONAL INJURY, OR DEATH. Never open the drive motor enclosure. Connect only to a branch circuit that is protected by a ground-fault circuit-interrupter (GFCI). Contact a qualified electrician if you cannot verify that the circuit is protected by a GFCI. Make sure a GFCI is provided by the installer and is tested on a routine basis. To test the GFCI, push the test button. The GFCI should interrupt power. Push the reset button. Power should be restored. If the GFCI fails to operate in this manner, the GFCI is defective. If the GFCI interrupts power to the pump without the test button being pushed, a ground current is flowing, indicating the possibility of electrical shock. Do not use the device. Disconnect the device and have the problem corrected by a qualified service representative before using.

⚠ WARNING

When installed in a location other than single-family dwellings, the National Electrical Code (NEC, NFPA-70) requires the installation of a clearly labeled Emergency Shutoff Switch, which shall be readily accessible to the occupants of the pool/spa. Such a switch shall be within sight but at least 5 feet (1.52m) from the pool or spa.

⚠ WARNING

Incorrectly installed equipment may fail, causing severe injury or property damage.

⚠ WARNING

- Do not connect system to an unregulated city water system or other external source of pressurized water producing pressures greater than 35 PSI.
- Trapped air in the system can cause the filter lid to be blown off, which can result in death, serious personal injury, or property damage. Be sure all air is out of the system before operating.

⚠ WARNING

The Jandy Pro Series ePump + SVRS is capable of generating system pressures up to 50 psi. Installers must ensure that all system components are rated to withstand at least 50 psi. Over pressurizing the system can result in catastrophic component failure or property damage.

⚠ WARNING

To minimize risk of severe injury or death, the filter and/or pump should not be subjected to the piping system pressurization test.

Local codes may require the pool piping system to be subjected to a pressure test. These requirements are generally not intended to apply to the pool equipment, such as filters or pumps.

Jandy pool equipment is pressure tested at the factory.

If, however, the WARNING cannot be followed and pressure testing of the piping system must include the filter and/or pump, **BE SURE TO COMPLY WITH THE FOLLOWING SAFETY INSTRUCTIONS:**

- Check all clamps, bolts, lids, lock rings, and system accessories to ensure they are properly installed and secured before testing.
- **RELEASE ALL AIR** in the system before testing.
- Water pressure for test must **NOT EXCEED 35 PSI**.
- Water temperature for test must **NOT EXCEED 100°F (38°C)**.
- Limit test to 24 hours. After test, visually check system to be sure it is ready for operation.

Notice: These parameters apply to Jandy equipment only. For non-Jandy equipment, consult the equipment manufacturer.

⚠ WARNING

Chemical spills and fumes can weaken pool/spa equipment. Corrosion can cause filters and other equipment to fail, resulting in severe injury or property damage. Do not store pool chemicals near your equipment.

CAUTION

Do not start pump dry! Running the pump dry for any length of time will cause severe damage and will void the warranty.

CAUTION

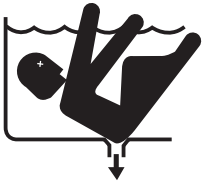
- This pump is for use with permanently installed pools and may also be used with hot tubs and spas, if so marked. Do not use with storable pools. A permanently installed pool is constructed in or on the ground or in a building, such that it cannot be readily disassembled for storage. A storable pool is constructed so that it may be readily disassembled for storage and reassembled to its original integrity.
- Do not install beneath the skirt of a hot tub. The pump requires adequate ventilation to maintain air temperature at less than the maximum ambient temperature rating listed on the motor rating plate.
- For Canadian installation, this pump carries a Type 3R enclosure rating and therefore is not intended for installation in areas subjected to windblown dust.
- Install the pump such that any disconnecting means and/or junction boxes for power connection are within site of the pump and at least five (5) feet from the inside wall of the pool and spa. Canadian installations require a minimum of three (3) meters from the pool water.
- Refer to the "Bonding" instructions in section 3.2 of this manual and consult local & national codes for using a No. 8 AWG or larger conductor to properly bond the pump motor to other metal components and electrical equipment in the vicinity of the pool/spa.

⚠ WARNING

The Jandy Pro Series ePump + SVRS has been designed to operate with Jandy control systems. Operating the pump with other manufacturers' controllers may cause software failure of the pump, drive or other system components. This failure can result in severe personal injury (i.e., failure of the SVRS system, electrical shock) or death.

⚠ DANGER

Entrapment Avoidance Notice: Drain covers must be certified to the latest published edition of ANSI®/ASME® A112.19.8 or its successor standard, ANSI/APSP-16. These covers should be inspected regularly and replaced if cracked, broken or older than the design lifetime indicated on them by the manufacturer. The maximum possible flow rate of this pump should be less than or equal to the maximum approved flow rate indicated on the suction outlet cover by the manufacturer. **THE USE OF UNAPPROVED COVERS OR ALLOWING USE OF THE POOL OR SPA WHEN COVERS ARE MISSING, CRACKED OR BROKEN CAN RESULT IN BODY OR LIMB ENTRAPMENT, HAIR ENTANGLEMENT, EVISCERATION AND DEATH.**

1.2 Pool Pump Suction Entrapment Prevention Guidelines**⚠ WARNING**

SUCTION HAZARD. Can cause serious injury or death. Do not use this pump for wading pools, shallow pools, or spas containing bottom drains, unless pump is connected to at least two (2) functioning suction outlets.

⚠ WARNING

Pump suction is hazardous and can trap and drown or disembowel bathers. Do not use or operate swimming pools, spas, or hot tubs if a suction outlet cover is missing, broken, or loose. The following guidelines provide information for pump installation that minimizes risk of injury to users of pools, spas, and hot tubs:

Entrapment Protection - The pump suction system must provide protection against the hazards of suction entrapment.

Suction Outlet Covers - All suction outlets must have correctly installed, screw-fastened covers in place. All suction outlet (drain) covers must be properly maintained. They must be replaced if cracked, broken, or missing. Drain covers must be listed/certified to the latest published edition of ANSI/ASME A112.19.8 or its successor standard, ANSI/APSP-16. The pool must be shut down and bathers must be restricted from entering the pool until any cracked, broken, or missing drain covers are replaced.

Number of Suction Outlets Per Pump - Provide at least two (2) hydraulically-balanced suction outlets, with covers, as suction outlets for each circulating pump suction line. The centers of the suction outlets (suction outlets) on any one (1) suction line must be at least three (3) feet apart, center to center. See Figure 1.

The system **must** be built to include at least two (2) suction outlets (drains) connected to the pump whenever the pump is running. However, if two (2) suction outlets run into a single suction line, the single suction line may be equipped with a valve that will shut off both suction outlets from the pump. The system shall be constructed such that it shall not allow for separate or independent shutoff or isolation of each drain. See Figure 1.

Additional pumps can be connected to a single suction line as long as the requirements above are met.

SAVE THESE INSTRUCTIONS

⚠ WARNING

Water Velocity - The maximum water velocity through the suction outlet assembly and its cover for any suction outlet must not exceed the suction outlet assembly and its cover's maximum design flow rate. The suction outlet (drain) assembly and its cover must comply with the latest version of ANSI®/ASME® A112.19.8, the standard for Suction Fittings For Use in Swimming Pools, Wading Pools, Spas, and Hot Tubs, or its successor standard, ANSI/ASME APSP-16.

Testing and Certification - Suction outlet covers must have been tested by a nationally recognized testing laboratory and found to comply with the latest published edition of ANSI/ASME A112.19.8 or its successor standard, ANSI/APSP-16, the standard for *Suction Fittings For Use in Swimming pools, Wading Pools, Spas, and Hot Tubs*.

Fittings - Fittings restrict flow; for best efficiency use fewest possible fittings (but at least two (2) suction outlets).

Avoid fittings that could cause an air trap.

Pool cleaner suction fittings must conform to applicable International Association of Plumbing and Mechanical Officials (IAPMO) standards.

1.3 VIRGINIA GRAEME BAKER POOL AND SPA SAFETY ACT

The Virginia Graeme Baker Pool and Spa Safety Act raises certain new requirements on owners and operators of public swimming pools and spas.

Public pools or spas constructed on or after December 20, 2008, shall utilize:

- (A) No submerged suction outlets, a gravity drainage system with ASME/ANSI cover(s), one or more unblockable outlets; or
- (B) A multiple suction outlet system without isolation capability with suction outlet covers that meet ASME/ANSI A112.19.8 Suction Fittings for Use in Swimming Pools, Wading Pools, Spas, and Hot Tubs and either:
 - (i) A safety vacuum release system (SVRS) meeting ASME/ANSI A112.19.17 Manufactured Safety Vacuum Release Systems (SVRS) for Residential and Commercial Swimming Pool, Spa, Hot Tub, and Wading Pool Suction Systems and/or ASTM F2387 Standard Specification for Manufactured Safety Vacuum Release Systems (SVRS) for Swimming Pools, Spas and Hot Tubs or
 - (ii) A properly designed and tested suction-limiting vent system or
 - (iii) An automatic pump shut-off system.

Public pools and spas construction prior to December 20, 2008, with a single submerged suction outlet shall use a suction outlet cover that meets ASME/ANSI A112.19.8 and either:

- (A) A multiple suction outlet system without isolation capability, or
- (B) A safety vacuum release system (SVRS) meeting ASME/ANSI A112.19.17 and/or ASTM F2387, or
- (C) A properly designed and tested suction-limiting vent system, or
- (D) An automatic pump shut-off system, or
- (E) Disabled submerged outlets, or
- (F) Suction outlets shall be reconfigured into return inlets.

For more information about the Act, contact the Consumer Product Safety Commission at 301.504.7908 or visit www.cpsc.gov.

Section 2. General Description

2.1 Introduction

This manual contains information for the proper installation, operation, and maintenance of Jandy Pro Series ePump + SVRS (Safety Vacuum Release System) Series variable-speed pump. Procedures in this manual must be followed exactly. To obtain additional copies of this manual, contact Zodiac® Technical Support at 800.822.7933 or visit our website at www.zodiacpoolsystems.com. For address information, see the back cover of this manual.

2.2 Description

The ePump + SVRS is a variable-speed pump that can be run from 1050 RPM to 3450 RPM.

NOTE Some controllers may display speeds lower than 1050 RPM even though the pump only operates between 1050 RPM and 3450 RPM.

When connected to the ePump + SVRS controller (JEP-R), up to eight (8) speed settings may be programmed and recalled. This allows you to select the most appropriate speed for your application. Even more versatile programming is possible when you use a AquaLink® RS controller.

Jandy Pro Series ePump + SVRS is designed to meet the needs of today's more hydraulically demanding pool equipment. The pump housing, backplate, diffuser, impeller, and hair and lint pot (filter basket) are all made from high quality thermoplastic materials. These materials were chosen for their strength and corrosion resistance.

The pump is driven by an electric motor directly attached to the pump impeller. As the electric motor turns, it causes the impeller to turn, which forces water to flow through the pump. The water flows through the pump inlet and then into the filter basket. The basket assembly pre-strains/traps large particles. The water then enters the center of the pump housing, flows through the impeller into the diffuser, and flows out the pump discharge port.

Section 3. Installation Information

3.1 Plumbing

Preparation Information

1. Upon receipt of the pump, check the carton for damage. Open the carton and check the pump for concealed damage, such as cracks, dents or a bent base. If damage is found, contact the shipper or distributor where the pump was purchased.
2. Inspect the contents of the carton and verify that all parts are included. See *Section 7.1, Replacement Parts List and Exploded View*.

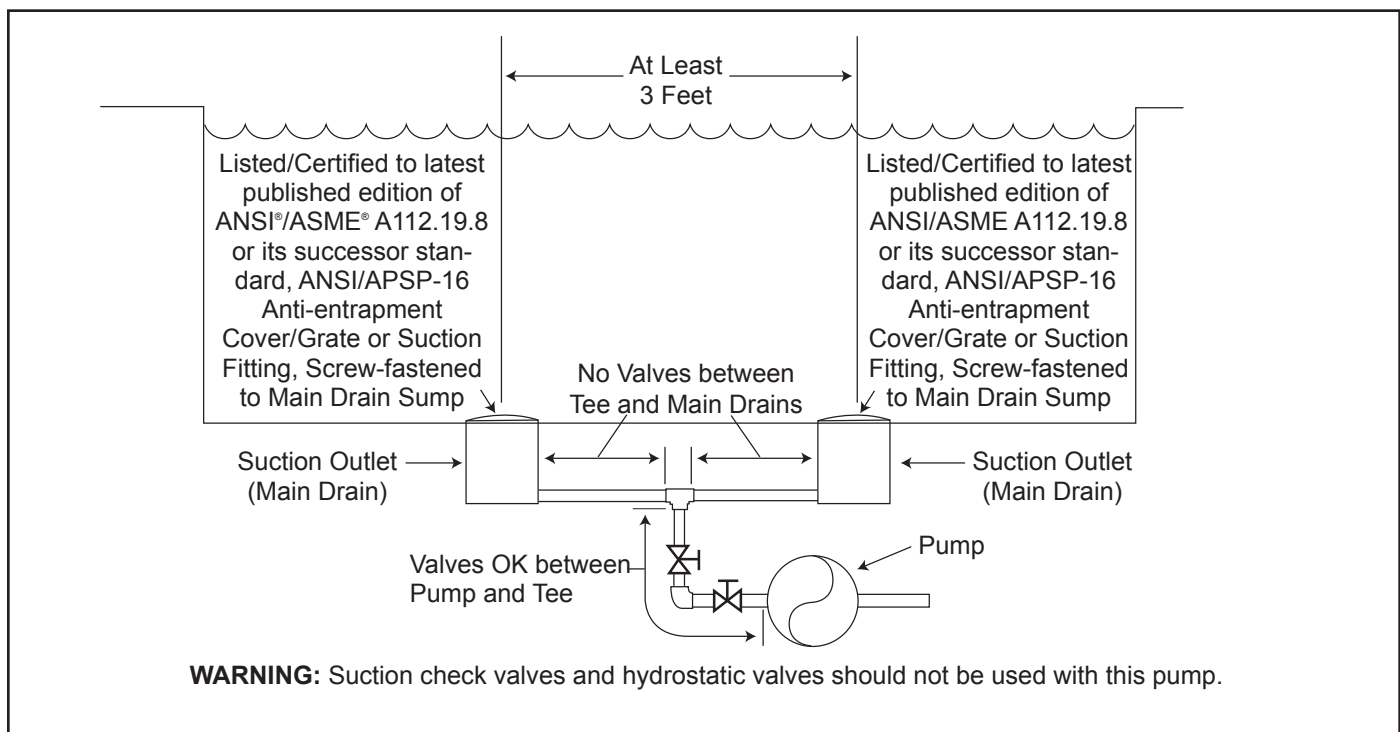


Figure 1. Number of Suction Outlets Per Pump

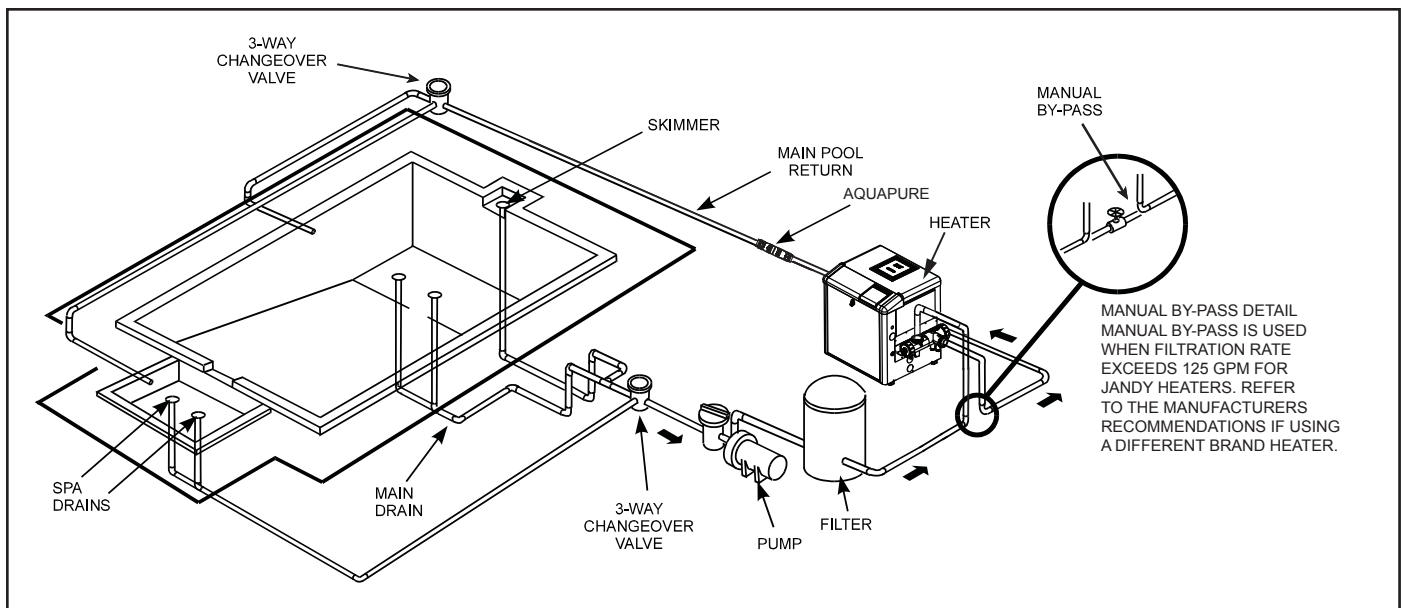


Figure 2. Typical Piping Installation

Pump Location

CAUTION

For Canadian installation, this pump carries a Type 3R enclosure rating and therefore is not intended for installation in areas subjected to windblown dust.

1. Zodiac® recommends installing the pump within one (1) foot above water level. Refer to Figure 2 for a typical installation. The pump should not be elevated more than three (3) feet above or below the water level of the pool.

⚠ WARNING

This Safety Vacuum Release System (SVRS) device is NOT compatible with the installation of check valves. Suction check valves and hydrostatic valves **should not be used** with this pump.

The SVRS feature of this pump may not operate effectively when the pump is installed more than 3 feet above or below the water level of the pool. Therefore, to reduce the risk of suction entrapment, which can result in serious injury or death, **DO NOT INSTALL THE PUMP MORE THAN 3 FEET ABOVE OR 3 FEET BELOW** the water level of the pool/spa.

2. If the pump is located below water level, isolation valves must be installed on both the suction and return lines to prevent back flow of pool water during any routine or required servicing.
3. Install the pump such that any disconnecting means and/or junction boxes for power connection are within site of the pump and at least five (5) feet horizontally from the edge of the pool and/or spa. Choose a location that will minimize turns in the piping.

NOTE In Canada the minimum distance maintained from the edge of the pool and/or spa as noted above must be 3m (10 feet), as required by the Canadian Electrical Code (CEC, CSA C22.1).

4. The pump must be placed on a solid foundation that will not vibrate. To further reduce the possibility of vibration noise, bolt the pump to the foundation, or place it on a rubber mat.

NOTE Zodiac recommends bolting the pump directly to the foundation.

5. The pump foundation must have adequate drainage to prevent the motor from getting wet. Protect the pump from the rain and sun.
6. Proper ventilation is required for the pump to operate normally. All motors generate heat that must be removed by providing proper ventilation.
7. Provide access for future services by leaving a clear area around the pump. Allow plenty of space above the pump to remove the lid and filter basket for cleaning.
8. If the equipment is in a potentially dark area, provide adequate lighting.

Pipe Sizing

Suction Pipe

The pipe size on the suction side will be 2.5 to 3 inches.

Discharge Pipe

The pipe size on the discharge side will be 2 to 3 inches.

NOTE All pipe sizes are able to withstand the pressures the pump will deliver, but not necessarily the flow. If the suction pipe is too small for the pump, or is elevated above water, the maximum gallons per minute (GPM) may not be delivered. If this happens, the pump will develop a pocket of air (cavitation) that makes noise. This may shorten the life of the pump.

Installation Recommendations

- To help prevent difficulty in priming, install the suction pipe without high points (above inlet of pump - inverted “U”s, commonly referred to in plumbing as an airlock) that can trap air. For installations of equipment up to 100 feet from the water, refer to Table 1, the pipe sizing chart. For installations of equipment more than 100 feet from the water, the recommended pipe size must be increased to the next size.

Table 1. Pipe Sizing Chart for Schedule 40 PVC

Pipe Size	Maximum Flow Suction (6 feet per second)	Maximum Flow Discharge (8 feet per second)
2"	62 GPM (235 LPM)	85 GPM (322 LPM)
2½"	88 GPM (333 LPM)	120 GPM (454 LPM)

NOTE The ePump + SVRS shall only be operated in the flow range of 27 to 155gpm. The pipe size on the discharge side will be 2 to 3 inches and on the suction side it will be 2.5 to 3 inches.

- ePump + SVRS comes equipped with unions on both the suction and discharge ports. This feature simplifies installation and service and eliminates the possibility of leaks at threaded adapters.
- The ePump + SVRS must be connected to at least two (2) hydraulically-balanced suction outlets (suction outlets) for each pool pump suction line. Refer to Figure 2. Each drain must be provided with covers that are listed or certified to the latest published edition of ANSI®/ASME® A112.19.8 or its successor standard, ANSI/APSP-16. The suction outlets of the suction outlets must be at least three (3) feet apart or at different planes. The suction outlets can be a drain and skimmer, two (2) drains, two (2) skimmers, or a skimmer with an equalizer line installed. For additional details and guidelines, refer to ANSI/APSP 7, the standard for Suction Entrapment Avoidance in Swimming Pools, Wading Pools, Spas, Hot Tubs, and Catch Basins. Check the local codes for proper installation requirements. Applicable local codes will take precedence over other codes.
- The piping must be well supported and not forced together where it will experience constant stress.

⚠ WARNING

To prevent full-body entrapment, the system must be built so it cannot operate with the pump drawing water from only one (1) suction outlet. At least two (2) suction outlets must be connected to the pump when it is in operation. However, if two (2) suction outlets run into a single suction line, the single suction line may be equipped with a valve that will simultaneously shut off both suction outlets from the pump.

- Always use properly sized valves. Jandy Diverter Valves and Jandy Ball Valves typically have the best flow capabilities.
- Use the fewest fittings possible. Each additional fitting has the effect of moving the equipment farther away from the water.

NOTE If more than ten (10) suction fittings are needed, the pipe size must be increased.

- Every new installation must be pressure tested according to local codes.

3.2 Electrical Installation

Voltage Checks

The correct voltage, as specified on the pump data plate, is necessary for proper performance and long motor life. Incorrect voltage will decrease the pump’s ability to perform and could cause overheating, reduce the motor life, and result in higher electric bills.

It is the responsibility of the electrical installer to provide data plate operating voltage to the pump by ensuring proper circuit sizes and wire sizes for this specific application.

The National Electrical Code® (NEC®, NFPA-70®) requires all pool pump circuits be protected with a Ground Fault Interrupter (GFCI). Therefore, it is also the responsibility of the electrical installer to ensure that the pump circuit is in compliance with this and all other applicable requirements of the National Electrical Code (NEC) and any other applicable installation codes.

CAUTION

Failure to provide data plate voltage (within 10%) during operation will cause the motor to overheat and void the warranty.

Bonding

- In addition to being properly grounded as described below in *Electrical Wiring* section, and in accordance with the requirements of the National Electrical Code (NEC), or in Canada the Canadian Electrical Code (CEC), the pump motor must be bonded to all metal parts of the swimming pool, spa or hot tub structure and to all electrical components and equipment associated with the pool/spa water circulation system.

- The bonding must be accomplished by using a solid copper conducto, No. 8 AWG or larger. In Canada No. 6 AWG or larger must be used. Bond the motor using the external bonding lug provided on the motor (See figure 3).

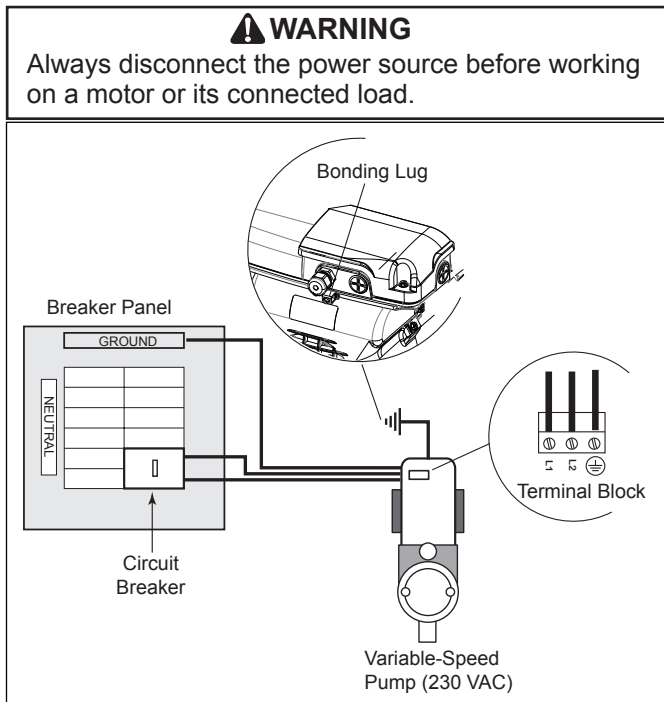


Figure 3. Bonding the Motor

⚠ WARNING

In order to avoid the risk of property damage, severe personal injury, and/or death, make sure that the control switch, time clock, or control system is installed in an accessible location, so that in the event of an equipment failure or a loose plumbing fitting, the equipment can be easily turned off.

CAUTION

The pump must be permanently connected to a dedicated electrical circuit. No other equipment, lights, appliances, or outlets may be connected to the pump circuit, with the exception of devices that may be required to operate simultaneously with the pump, such as a chlorinating device or heater.

Electrical Wiring

- The pump motor must be securely and adequately grounded using the green screw provided. Ground before attempting to connect to an electrical power supply. Do not ground to a gas supply line.
- Wire size must be adequate to minimize voltage drop during the start-up and operation of the pump. See Table 2 for suggested wire sizes.
- Insulate all connections carefully to prevent grounding or short-circuits. Sharp edges on terminals require extra protection. For safety, and to prevent entry of contaminants, reinstall all conduit and terminal box covers. Do not force connections into the conduit box.

NOTE Since the pump is operated by either an ePump + SVRS controller (JEP-R), an AquaLink® RS controller, an AquaLink Pool Digital Assistant (PDA), or an AquaLink Z4, the pump will not be turned on until it is turned on with one of these controllers.

Installing the Controller

⚠ WARNING

The Jandy Pro Series ePump + SVRS has been designed to operate with Jandy control systems. Operating the pump with other manufacturers' controllers may cause software failure of the pump, drive or other system components. This failure can result in severe personal injury (ie. failure of the SVRS system, electrical shock) or death.

The ePump + SVRS can be operated by one of four (4) controllers: the ePump + SVRS controller (JEP-R), the AquaLink RS controller (Rev O or later), the AquaLink PDA (Rev 4.0 or later), or the AquaLink Z4.

To install the ePump + SVRS controller:

NOTE The ePump + SVRS controller part no. is JEP-R.

- Remove power from the ePump + SVRS by disconnecting the high voltage lines or by opening any breaker to which the ePump + SVRS power is connected.

Table 2. Recommended Wire Size and Overcurrent Protection for ePumps

MINIMUM WIRE SIZE AND OVERCURRENT PROTECTION FOR ePUMP SERIES PUMPS*		
Distance from Sub-panel	0 - 150 Feet (0-45 meters)	
Model	Inverse - Time Circuit Breaker or Branch Fuse AMPS Class:CC, G, H, J, K, RK, or T 230 VAC	Voltage 208-230 VAC
JEP2.0SVRS	20A Max	#12 solid copper minimum

*Assumes three (3) copper conductors in a buried conduit and 3% maximum voltage loss in branch circuit. All National Electrical Code® (NEC®) and local codes must be followed. Table shows minimum wire size and branch fuse recommendations for typical installation per NEC.

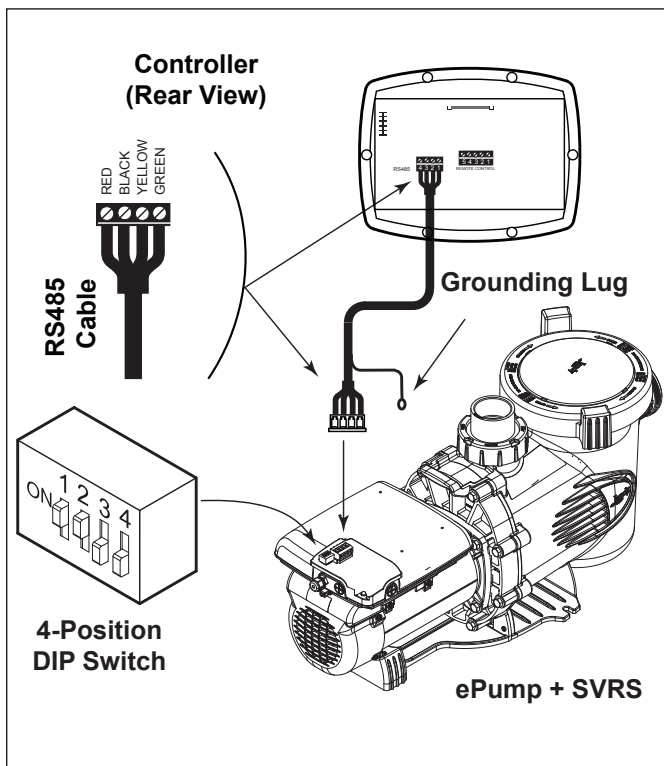


Figure 4. Wiring ePump + SVRS Controller (JEP-R) to ePump

⚠ WARNING

ELECTRICAL SHOCK HAZARD

Turn off all switches and the main breaker in the ePump electrical circuit before starting the procedure. Failure to comply may cause a shock hazard, resulting in severe personal injury or death.

2. Remove the cover of the ePump + SVRS junction box and feed the RS-485 cable into the fitting.
3. Unplug the RS-485 connector from the ePump + SVRS.
4. Attach the four (4) wires in the RS-485 cable to the RS-485 connector. Match the wire colors with the positions on the connector: 1- red, 2- black, 3- yellow, and 4- green. See Figure 4.
5. Insert the RS-485 connector back into the ePump + SVRS.
6. Slide dip switches 1 and 2 up, so they are in the ON position, and slide switches 3 and 4 down, so they are in the OFF position. See Figures 4.
7. Connect the other end of the cable to the JEP-R controller. Match the colors of the wires with the appropriate connector positions, as described in Step 4.
8. Restore power to the ePump + SVRS and verify the operation of the ePump + SVRS (JEP-R) controller.
9. Refer to the ePump + SVRS Controller Owner's Manual, H0412200, to operate the pump.

To install an AquaLink® RS controller (Rev O or later), an AquaLink PDA (Rev 4.0 or later), or AquaLink Z4:

1. Remove power from the ePump + SVRS by disconnecting the high voltage lines or by opening any breaker to which the ePump + SVRS power is connected.
2. Remove the cover of the ePump + SVRS junction box and feed the RS-485 cable into the fitting.

⚠ WARNING

ELECTRICAL SHOCK HAZARD

Turn off all switches and the main breaker in the ePump electrical circuit before starting the procedure. Failure to comply may cause a shock hazard, resulting in severe personal injury or death.

3. Unplug the RS-485 connector from the ePump + SVRS and attach the four (4) wires in the RS-485 cable to the RS-485 connector. Match the wire colors with the connector positions as follows: 1-red, 2-black, 3-yellow, and 4-green. See Figure 5.
4. Insert the RS-485 connector back into the ePump + SVRS.
5. Slide dip switches 1 and 2 down, so they are in the OFF position. See Figure 5.

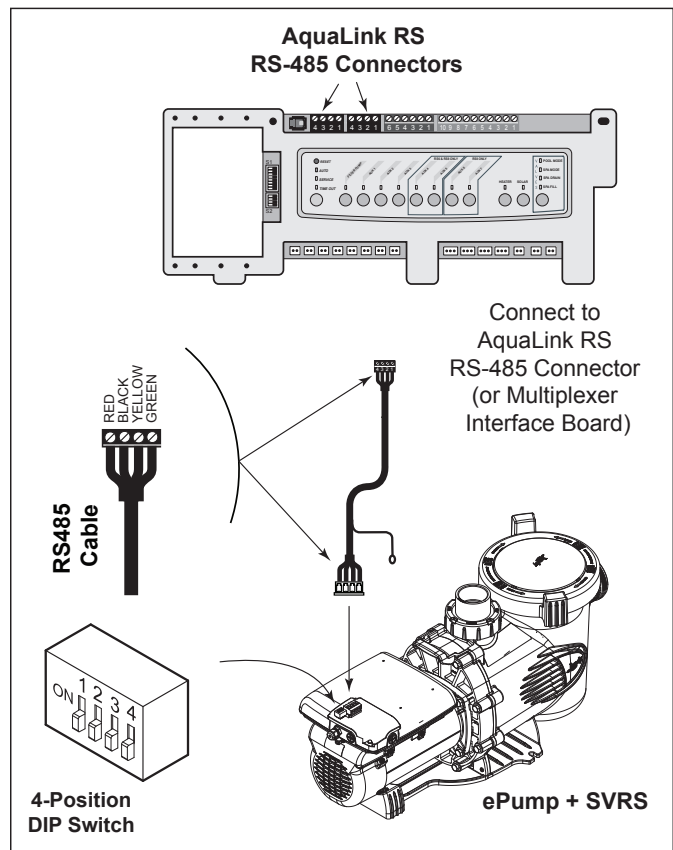


Figure 5. Wiring AquaLink RS Controller, AquaLink PDA or AquaLink Z4 to ePump

6. Select the desired address(es) for the ePump + SVRS(s) by setting dip switches 3 and/or 4, as shown in *Section 3.3, ePump + SVRS Dip Switch Settings*.
7. Connect the other end of the cable to an RS-485 connector on the AquaLink (or multiplexer interface board), matching wire colors with connector positions, as described in Step 3.
8. Restore power to the ePump + SVRS and verify the operation of the controller.
9. Refer to the appropriate control manual to operate the pump. ePump + SVRS Controller Owner's manual (H0412200), AquaLink® RS Owner's Manual (6593), AquaLink PDA Owner's Manual (H0572300), or AquaLink Z4 Owner's Manual (H0386600).

3.3 ePump + SVRS Dip Switch Settings

As shown in Figures 4 and 5, the 4-position dip switch is located at the rear of the ePump + SVRS. This dip switch serves two (2) functions: it selects the pump address, and it determines what type of controller will be used with the pump. The tables below show the dip switch settings.

Switch 1	Switch 2	Controller
OFF	OFF	AquaLink RS, AquaLink PDA or AquaLink Z4
ON	ON	ePump + SVRS Controller (JEP-R)

Switch 3	Switch 4	Pump Address
OFF	OFF	PUMP 1
ON	OFF	PUMP 2
OFF	ON	PUMP 3
ON	ON	PUMP 4

3.4 Auxiliary (Aux) Load Operation

The Jandy Pro Series ePump + SVRS is equipped with a terminal bar that provides user access to a built-in Auxiliary Load relay contact. This normally-open, dry contact is activated under certain operating conditions and is primarily intended to be used to control external devices that require system water flow for proper functioning, such as heaters, booster pumps, salt water chlorinators, etc.

See Figures 6,7 and 8 for compartment's location details. An access cover with Phillips-head screw must be removed before proceeding.

Aux Load Connection Requirements

⚠ WARNING

ELECTRICAL SHOCK HAZARD

Due to the potential risk of fire, electric shock, or injuries to persons, Jandy Pumps must be installed in accordance with the National Electrical Code® (NEC®), all local electrical and safety codes, and the occupational Safety and Health Act (OSHA). Copies of the NEC may be ordered from the National Protection Association, 470 Atlantic Ave., Boston, MA 02210, or from your local government inspection agency.

In Canada, Jandy Pumps must be installed in accordance with the Canadian Electrical Code (CEC).

Note: The Auxiliary Load relay contacts are rated at 230V/11A RMS. Please ensure the requirements of the equipment to be connected to the Auxiliary Load **do not exceed this rating**.

Wiring Diagram for 230V Aux Load, Shared Power Source

Note: In this configuration, it is important to verify the shared power source is adequately rated to service both the pump and the auxiliary equipment.

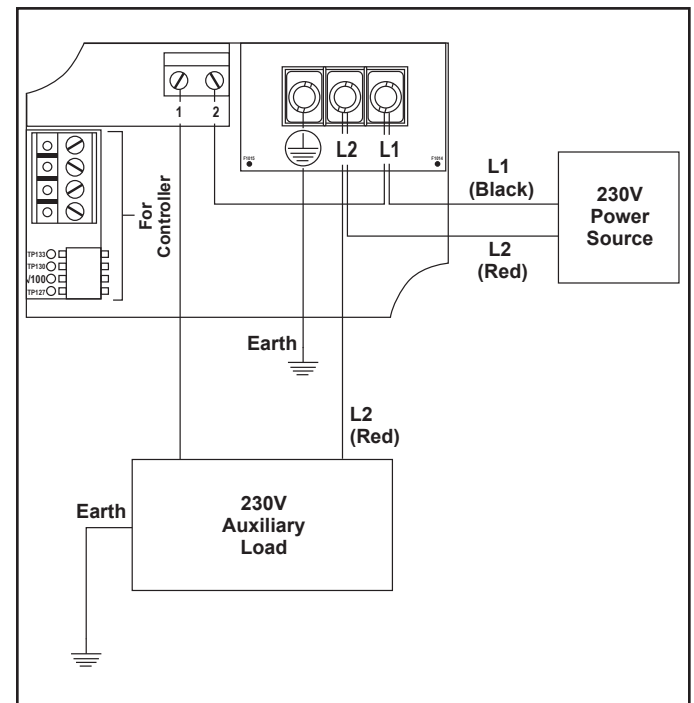


Figure 6. 230V Aux Load, Shared Power Source Wiring Diagram

Wiring Diagram for 115V Aux Load, Separate Power Sources

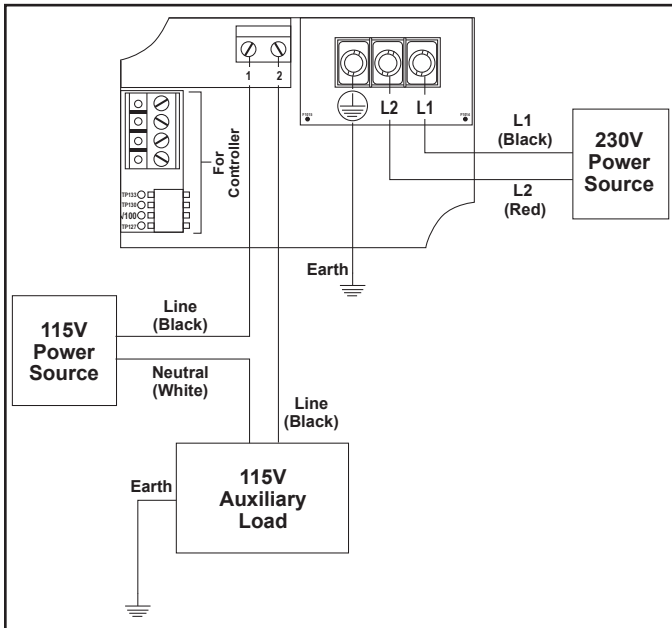


Figure 7. 115V Aux Load, Separate Power Sources Wiring Diagram

Wiring Diagram for 230V Aux Load, Separate Power Source

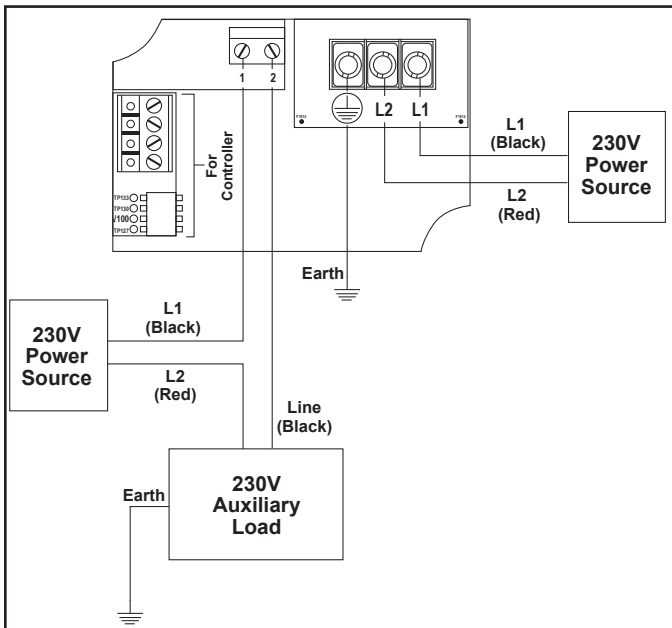


Figure 8. 230V Aux Load, Separate Power Sources Wiring Diagram

Aux Load Operation Characteristics

Aux Load relay contact activation is speed-dependent, and behaves as follows:

Contact Closure

From a stopped condition, there is a three-minute delay before the Aux Load contact is closed when the motor speed reaches and maintains a speed of at least 1725 RPM.

From a running condition at below 1725 RPM, there is a five-second delay before the Aux Load contact is closed when the motor speed reaches and maintains a speed of at least 1725 RPM.

Contact Opening

If the pump speed is below 1725 RPM, the Aux Load contact is opened. Contact openings are always immediate.

3.5 Pressure Testing

All Jandy Pro Series ePump + SVRS pumps come with an additional disposable o-ring for pressure testing. This is the blue pressure test o-ring. See Figures 9 and 10.

CAUTION

Do not open the pump lid before pressure testing, because the blue pressure test o-ring may fall out. If this happens, you will need to place it back on the lid.

If you have not opened the pump lid, skip to *Section 3.6, Conducting Pressure Test*.

Replace Blue Pressure Test O-ring if Necessary

If you open the pump lid before conducting the pressure test, the blue o-ring will probably fall out. If this happens, you will need to install it on the lid again before conducting pressure testing.

There is a risk of damage to the blue o-ring during re-installation. If you damage it when trying to re-install it, you will need to order a new blue pressure test o-ring before you begin conducting the pressure test.

These instructions describe the proper procedures for replacing, using, and disposing of the blue o-ring.

These instructions must be followed exactly. Read through the instructions completely before starting the procedure.

Remove Pump Lid

1. Make sure that the pump is turned off.
2. Make sure that the switch to the circuit breaker that powers the pump motor is turned off.
3. Make sure all necessary isolation valves are closed to prevent pool water from reaching the pump.
4. Following the markings on the locking ring, turn the ring counter-clockwise until the 'START' markings align with the ports.
5. Carefully remove the lid with locking ring.

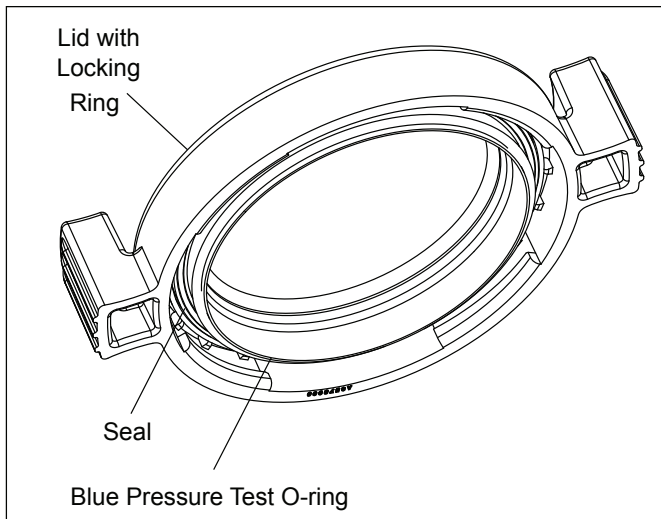


Figure 9. Blue Pressure Test O-ring in Lid Assembly

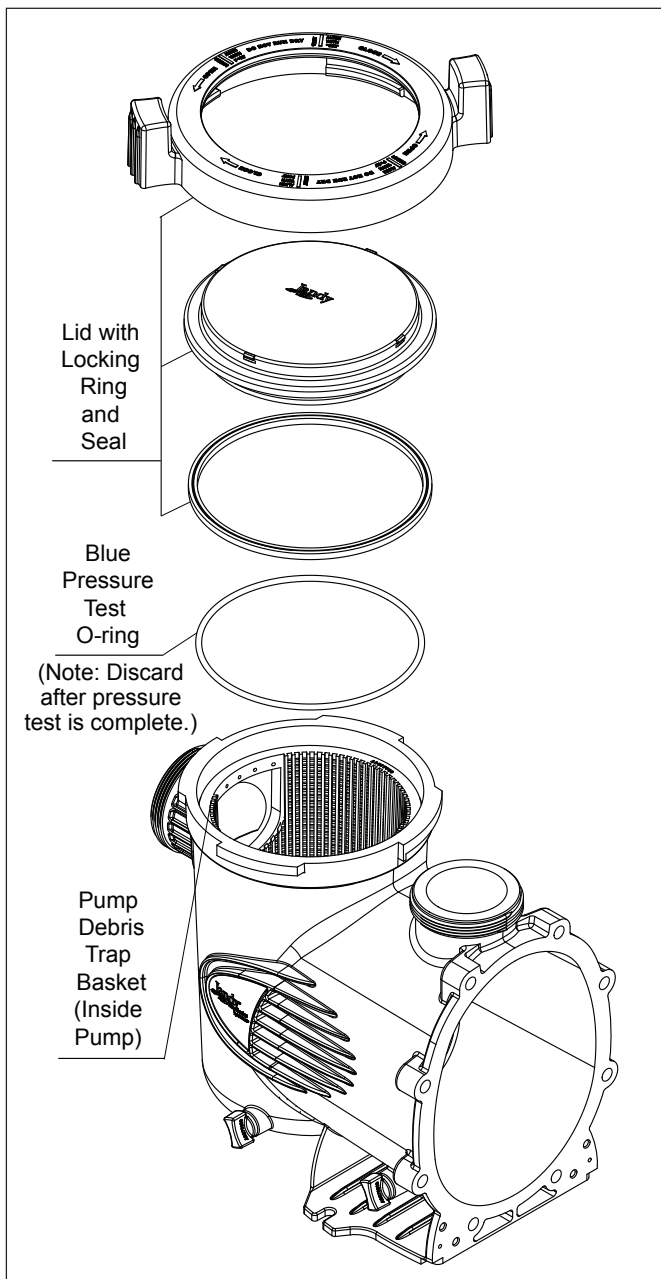


Figure 10. Exploded View of Pump

⚠ WARNING

ELECTRICAL SHOCK HAZARD

Turn off the pump and the main breaker in the pump electrical circuit before starting the procedure. Failure to comply may cause a shock hazard, resulting in severe personal injury or death.

⚠ WARNING

ELECTRICAL SHOCK HAZARD

Due to the potential risk of fire, electric shock, or injuries to persons, Jandy Pumps must be installed in accordance with the National Electrical Code® (NEC®), all local electrical and safety codes, and the occupational Safety and Health Act (OSHA). Copies of the NEC may be ordered from the National Fire Protection Association, 470 Atlantic Ave., Boston, MA 02210, or from your local government inspection agency.

In Canada, Jandy Pumps must be installed in accordance with the Canadian Electrical Code (CEC).

Replace Blue O-ring

1. Turn the lid with locking ring upside down and place it on a stable surface.
2. Place the blue o-ring on the step located $\frac{1}{4}$ " from the bottom of the lid. See Figure 11.
3. Make sure that the o-ring is properly seated. It helps to "place" the o-ring on the step rather than to "roll" it on. That prevents it from rolling off.

NOTE The blue o-ring sits approximately $\frac{1}{4}$ " away from the seal. See Figure 11.

4. Carefully install the lid, making sure that the blue pressure test o-ring sits in the housing without "binding" or "rolling" off. Use soapy solution if needed for lubrication.
5. Following the markings on the locking ring, align 'START' markings with the ports and turn clockwise until 'LOCKED' markings align with the ports. **Do not tighten past the 'LOCKED' marking.**

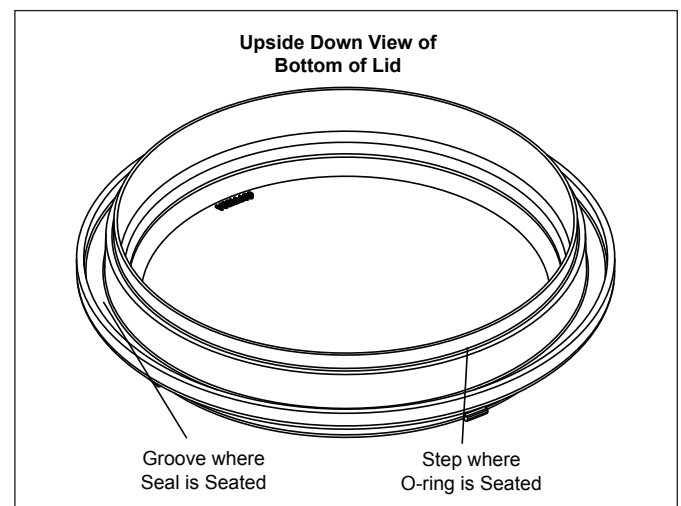


Figure 11. Placement of Blue Pressure Test O-ring

3.6 Conducting Pressure Test

WARNING

When pressure testing a system with water, air is often trapped in the system during the filling process. This air will compress when the system is pressurized. Should the system fail, this trapped air can propel debris at a high speed and cause injury. Every effort to remove trapped air must be taken, including opening the bleed valve on the filter and loosening the pump filter basket lid while filling the pump.

WARNING

Trapped air in the system can cause the filter lid to be blown off, which can result in death, serious injury, or property damage. Be sure all air is properly purged out of the system before operating. **DO NOT USE COMPRESSED AIR TO PRESSURE TEST OR CHECK FOR LEAKS.**

WARNING

Do not pressure test above 35 PSI. Pressure testing must be done by a trained pool professional. Circulation equipment that is not tested properly might fail, which could result in severe injury or property damage.

WARNING

When pressure testing the system with water, it is very important to make sure that the pump filter basket lid is completely secure.

1. Fill the system with water, using care to eliminate trapped air.
2. Pressurize the system with water to no more than **35 PSI**.
3. Close the valve to trap pressurized water in the system.
4. Observe the system for leaks and/or pressure decay.
5. If there are lid leaks, repeat Steps 1-3. For technical support, call Zodiac® Technical Support at 800.822.7933.
6. After successfully completing the test, discard the blue pressure test o-ring.

3.7 SVRS Testing

The SVRS unit must be tested for proper operation after installation and monthly, thereafter.

1. Using a ball valve, butterfly valve or sliding gate valve installed within 2 feet (0.6m) upstream from the pump, simulate entrapment by restricting water flow. A test mat can also be used to cover the suction outlet to simulate an entrapment event.

2. After an entrapment is detected, the pump will shut down, automatically releasing the vacuum created by the pump.
3. After the pump shuts down, reopen/remove restriction to pump suction line. The pump will attempt to restart after a shutdown period of approximately four (4) minutes.
4. Repeat three (3) times to verify proper adjustment and operation.

Section 4. Operation

4.1 Start-up

WARNING

The SVRS feature on this pump is inactive up to ten (10) minutes after power up. During this period, the pump does not monitor blocked suction or discharge system condition. Keep bathers out of the pool when SVRS is not active, such as during the first ten (10) minutes after power up.

CAUTION

Never run the pump without water. Running the pump "dry" for any length of time can cause severe damage to both the pump and motor and will void the warranty.

If this is a new pool installation, make sure all piping is clear of construction debris and has been properly pressure tested. The filter should be checked for proper installation, verifying that all connections and clamps are secure according to the manufacturer's recommendations.

WARNING

To avoid risk of property damage, severe personal injury or death, verify that all power is turned off before starting this procedure.

1. Release all pressure from the system and open the filter pressure release valve.
2. Depending on the location of the pump, do one of the following:
 - If the pump is located below the water level of the pool, open the filter pressure release valve to prime the pump with water.
 - If the pump is located above the water level of the pool, remove the lid and fill the filter basket with water before starting the pump.
3. Prior to replacing the lid, check for debris around the lid o-ring seat. Debris around the lid o-ring seat will cause air to leak into the system and will make it difficult to prime the pump.

NOTE Do not use petroleum based lubricants or sealants on the lid o-ring.

4. **Hand-tighten** the lid to make an air tight seal. Do not use any tools to tighten the lid: **hand-tighten only**. Make sure all valves are open and the unions are tight.
5. Restore power to the pump. Then turn on the pump by following the instructions in the appropriate manual: ePump + SVRS Controller Owner's manual, H0412200, AquaLink® RS Owner's Manual, 6593, AquaLink PDA Owner's Manual, H0572300, or AquaLink Z4 Owner's Manual, H0386600.
6. Once all the air has left the filter, close the pressure release valve.
7. The pump should prime. The time it takes to prime will depend on the elevation and length of pipe used on the suction supply pipe. See *Installation Recommendations in Section 3* for proper elevation and pipe size.
8. If the pump does not prime and all the instructions to this point have been followed, check for a suction leak. If there is no leak, repeat Steps 2 through 7.
9. For technical assistance, call Zodiac® Technical Support at 800.822.7933.

4.2 SVRS Tripping

SVRS functionality of the variable speed pump detects full-body entrapment events by electrically monitoring the change of the load on the pump. If an entrapment event is detected, the motor shuts down, eliminating the vacuum created by the pump. Once an entrapment is sensed the motor goes into the fault state and stays there for 4 minutes. After 4 minutes, the fault is cleared automatically, and the motor is ready to run again.

Section 5. Service and Maintenance

5.1 Routine Maintenance

Inspect the pump filter basket for debris by looking through the clear pump lid. Remove any debris, because as debris accumulates, it will begin to block the flow of water through the pump. Keep the filter basket clean to improve the performance of the pump.

1. Turn off the power to the pump. If the pump is located below the water level, close the isolation valves on the suction and discharge sides of the pump to prevent backflow of water.
2. Turn the lid's locking ring counter-clockwise until 'START' aligns with the ports. Carefully remove the lid. (You may use a tool for leverage.)

CAUTION

A misaligned filter basket will cause the lid to be improperly seated, allowing an air leak, which could result in pump damage.

3. Lift the filter basket out of the pump.
4. Dispose of the debris and thoroughly clean the filter basket, making sure all the holes are open. Using a garden hose, spray the filter basket from the outside to help clear the holes. Remove any remaining debris by hand.
5. Replace the filter basket in the pump by aligning the opening with the suction pipe. If aligned properly, the filter basket will drop easily into place. **Do not force it into place.**
6. Remove the lid seal and remove debris around the lid seal seat, as this can allow air to leak into the system. Clean the lid seal and place it on the lid.
7. Replace the lid with locking ring. **Hand-tighten** the lid to make an air-tight seal. Do not use any tools to tighten the lid: **hand-tighten only**.
8. Verify that all valves have been returned to the proper position for normal operation.
9. Open the pressure release valve on the filter, and make sure it is clean and ready for operation.
10. Turn on the power to the pump. Once all the air has been evacuated from the filter, close the pressure release valve.

5.2 Winterizing the Pump

CAUTION

The pump **must** be protected when freezing temperatures are expected. Allowing the pump to freeze will cause severe damage and void the warranty.

CAUTION

Do not use antifreeze solutions in the pool, spa, or hot tub systems! Antifreeze is highly toxic and may damage the circulation system. The only exception to this is Propylene Glycol. For more information, see your local pool/spa supply store or contact a qualified swimming pool service company.

1. Drain **all** water from the pump, system equipment, and piping.
2. Remove the two (2) drain plugs. Store the drain plugs in a safe location and reinstall them when the cold weather season is over. **Do not lose the o-rings.**

3. Keep the motor covered and dry. Do not cover the pump with plastic, because this will create condensation that will damage the pump.

NOTE Zodiac Pool Systems, Inc. recommends having a qualified service technician or electrician properly disconnect the electrical wiring at the switch or junction box. Once the power is removed, loosen the two (2) unions and store the pump indoors. For safety, and to prevent entry of contaminants, reinstall all conduit and terminal box covers.

4. When the system is reopened for operation, have a qualified technician or electrician make sure all piping, valves, wiring and equipment are in accordance with the manufacturer's recommendations. Pay close attention to the filter and electrical connections. Inspect all suction outlet fittings and covers and ensure they are not broken and are properly installed and secured.
5. The pump must be primed prior to starting. Refer to *Section 4.1, Start-up*.
6. The SVRS unit must be tested for proper operation. See section 3.7 for instructions.

Section 6. Troubleshooting and Repair

To order or purchase parts for Jandy pumps, contact your nearest Jandy dealer. If the Jandy dealer cannot supply you with what you need, contact Zodiac Technical Support at 1.800.822.7933, or send an e-mail message to productsupport@zodiac.com.

6.1 Service Technician Maintenance

WARNING

This pump must be serviced by a professional service technician qualified in pool/spa installation. The following procedures must be followed exactly. Improper installation and/or operation can create dangerous electrical hazards, which can cause high voltages to run through the electrical system. This can cause property damage, serious personal injury, and/or death. Improper installation and/or operation will void the warranty.

WARNING

Before servicing the pump, switch off the circuit breakers at the power source. Severe personal injury or death may occur if the pump starts while your hand is inside the pump.

Blocked Impeller

1. Turn off the pump. Switch off the circuit breaker to the pump motor.
2. Remove the lid and filter basket.
3. Look inside the pump for debris. Remove any debris found inside.
4. Replace the filter basket and lid.
5. Switch on the circuit breaker to the pump motor.
6. Turn on the pump, and see if the problem is solved.
7. If the impeller is still blocked with debris and it is not possible to remove the debris using Steps 2 through 4, the pump will need to be disassembled in order to access the inlet and outlet of the impeller.

6.2 Troubleshooting

Symptom	Possible Cause/Solution
The cleaning/circulating system is not operating correctly.	<p>Verify that skimmer baskets, pump filter basket and other screens are clean. Clean as necessary.</p> <p>Check filter and clean as necessary.</p> <p>Check any valve setting positions. Adjust as necessary.</p> <p>NOTE Multiple pieces of equipment operating at one time (for example, waterfalls, spa jets, and surface returns) will affect the proper operation of the cleaning system.</p> <p>Check the cleaning system manual to ensure that the system is adjusted according to the manufacturer's recommendations.</p>
Bubbles are present in the pump filter basket.	<p>Air is in the system. Check the pool or spa water level to ensure that it is at the proper level and air is not being drawn into the suction piping. If the water is at the normal level, turn off the pump. Turn the lid's locking ring counter-clockwise until 'START' aligns with the ports. Remove the lid and check for debris around the lid seal seat OR improper installation of the lid seal, as either condition will allow air to leak into the system. Clean the lid seal and replace it on the lid. Replace the lid on the pump housing. Align 'START' with the ports and turn the locking ring clockwise until 'LOCKED' aligns with the ports. Hand-tighten the lid to make an air-tight seal. Do not use any tools to tighten the lid. Turn the pump back on.</p>
Air leaks are still present.	<p>Check the suction side piping union. While the pump is running, try to tighten the union. If this does not stop the air leak, turn off the pump. Loosen both unions and slide the pump out of the way. Remove, clean, and re-install both union o-rings.</p> <p>Reposition the pump next to the piping and secure the union nuts to the pump. With clean union o-rings, hand-tightening of the unions should create a seal. If the unions still do not seal, gently tighten with a large pair of tongue-and-groove pliers.</p> <p>Do not over-tighten.</p>
There is no air in the system, but the pressure is still low.	<p>It is possible that debris is caught in the pump impeller. The pump impeller moves the water, and the vanes in the impeller can become blocked with debris. See <i>Section 6.2, Service Technician Maintenance</i>.</p>
There is no debris blocking the impeller and the pressure is still low.	<p>The pump impeller and diffuser are showing signs of normal wear. Have a qualified service technician check the impeller and diffuser and replace as necessary.</p> <p>If the pump is part of a relatively new installation, it could be an electrical problem. Contact a qualified service technician. Have the technician check for loose electrical connections and check the voltage at the pump motor while it is in operation. The voltage must be within 10% of the motor's data plate rating. If the voltage is not within 10%, contact a qualified electrician and/or the local power service provider.</p> <p>Pump seal is leaking air. Have a qualified service technician replace the seal.</p>
The pump is leaking water between the motor and pump body.	<p>This is caused by a damaged or failed mechanical seal. This is a two-part replacement process. The mechanical seal must be replaced as a set with the Mechanical Seal Replacement Kit. (R0479400)</p>
The pump gets hot and shuts off periodically.	<p>Make sure that there is adequate room around the motor to circulate air and keep the motor cool. Have a qualified electrician check for loose connections and check the voltage at the pump motor while it is in operation. The voltage must be within 10% of the motor's data plate rating. If the voltage is not within 10%, contact a qualified electrician and/or the local power service provider.</p>

Symptom	Possible Cause/Solution
Pump will not start.	<p>No power to pump. Make sure pump is properly connected to high voltage. See <i>Section 3.2, Electrical Installation</i>, in this manual.</p>
	<p>Improper low-voltage wiring. Check low-voltage wiring between pump and controller. Correct if necessary. See <i>Section 3.2, Electrical Installation</i>, in this manual.</p>
	<p>Improper pump address setting. Make sure that ePump + SVRS dip switches 3 and 4 are set properly for the installation. Both should be OFF for use with ePump + SVRS JEP-R controller or set to the proper address when connected to an AquaLink® RS controller, an AquaLink PDA or an AquaLink Z4. See <i>Section 3.3, ePump + SVRS Dip Switch Settings</i>, in this manual.</p>
	<p>Fault condition exists. View fault message on controller and correct fault before proceeding. If unsure how to correct fault, contact Zodiac® Technical Support at 800.822.7933.</p>
ePump + SVRS controller LCD is not displaying information	<p>Incorrect dip switch setting. Make sure ePump + SVRS dip switches 1 and 2 are both ON. See <i>Section 3.3, ePump + SVRS Dip Switch Settings</i>, in this manual.</p>
	<p>Improper low-voltage wiring. Check low-voltage wiring between pump and controller. Correct if necessary. See <i>Section 3.2, Electrical Installation</i>, in this manual.</p>
Controller displays "Pump not connected".	<p>Improper low-voltage wiring. Check low-voltage wiring between pump and controller. Correct if necessary. See <i>Section 3.2, Electrical Installation</i>, in this manual.</p>
	<p>Improper pump address set. Ensure ePump + SVRS dip switches 3 and 4 are set properly for the installation. Both should be OFF for use with ePump + SVRS JEP-R controller or set to the proper address when connected to an AquaLink RS controller, an AquaLink PDA or an AquaLink Z4. See <i>Section 3.3, ePump + SVRS Dip Switch Settings</i>, in this manual.</p>
Fault message appears on controller display.	<p>Fault condition exists. View fault message on controller and correct fault before proceeding. If unsure how to correct fault, contact Zodiac Technical Support at 800.822.7933.</p>
Pump Shutdown	<p>Depending on the individual pool installation, it is possible to experience SVRS-related shut off of the Jandy ePump + SVRS pump, resulting from events other than SVRS blockages. Some sources of shut offs may include:</p> <ol style="list-style-type: none"> 1. Air entrainment in the suction flow, even for a few seconds. Air entrainment may result from a suction cleaner breaking the pool surface, a whirlpool in a skimmer, or any other condition that allows air to be drawn into the suction flow. 2. Attachment or disconnection of a pool vacuum hose, while the pump is running. If this occurs, attach the pool vacuum hose with the pump off. 3. Inability of the pump to achieve normal flow during priming. Upon start, if the pump does not sense normal flow, the pump will remain in a priming condition for approximately 10 minutes, and will then shut off. The pump will remain off for approximately 10 minutes, and attempt a restart. While in priming condition, SVRS functions will be disabled. After the pump senses a normal flow condition, SVRS functions are enabled.

Section 7. Product Specifications and Technical Data

7.1 Replacement Parts List and Exploded View

To order or purchase parts for Jandy Pro Series pumps, contact your nearest Jandy dealer. You can also contact Zodiac® Technical Support at 800.822.7933.

Key No.	Description	Part No.
1	Motor w/Drive, ePump + SVRS Series	R0562205
2	Backplate, Pump, SHP, PHP/MHP/JEP	R0445200
3	Impeller, Assembly, SHP, PHP, JEP	R0445305
4	Diffuser with O-ring and Hardware	R0445400
5	Mechanical Seals (Carbon and Ceramic)	R0479400
6	Body, Pump	R0445601
7	Motor Mounting Foot Assembly, SHP	R0445700
8	Locking Ring (With Lid and O-ring)	R0445800
9	Filter Basket	R0445900
10	Plug, Drain (Set of 2)	R0446000
11	Tail Piece (2" by 2½") with Union Nut and O-ring (Set of 2)	R0446101
12	Seal, Lid	R0446200
13	Blue Pressure Test O-ring	R0479000
14	O-ring, Backplate	R0446300
15	O-ring, Tail Piece (Set of 2)	R0446400
16	Diffuser/Impeller Hardware Set	R0446500
17	Backplate Hardware with Set of 8 Bolts and Washers	R0446600
18	Motor Hardware with Set of 4 Bolts and Washers	R0446700
19	Screws, Motor Mounting Foot (Set of 2)	R0446800
20	Cover, Fan, w/Hardware, JEP Series (Gen II)	R0562400
21	Connector, Speed Drive, ePump (4-Pin Connector) (Not Shown)	R0660900
22	Data Cable Bulkhead Fitting	R0501100
23	Screw, Electrical Box (Set of 2)	R0562600
24	Screw with O-ring, Self-Sealing	R0515400
25	Cable, RS485, Replacement Kit	R0535100

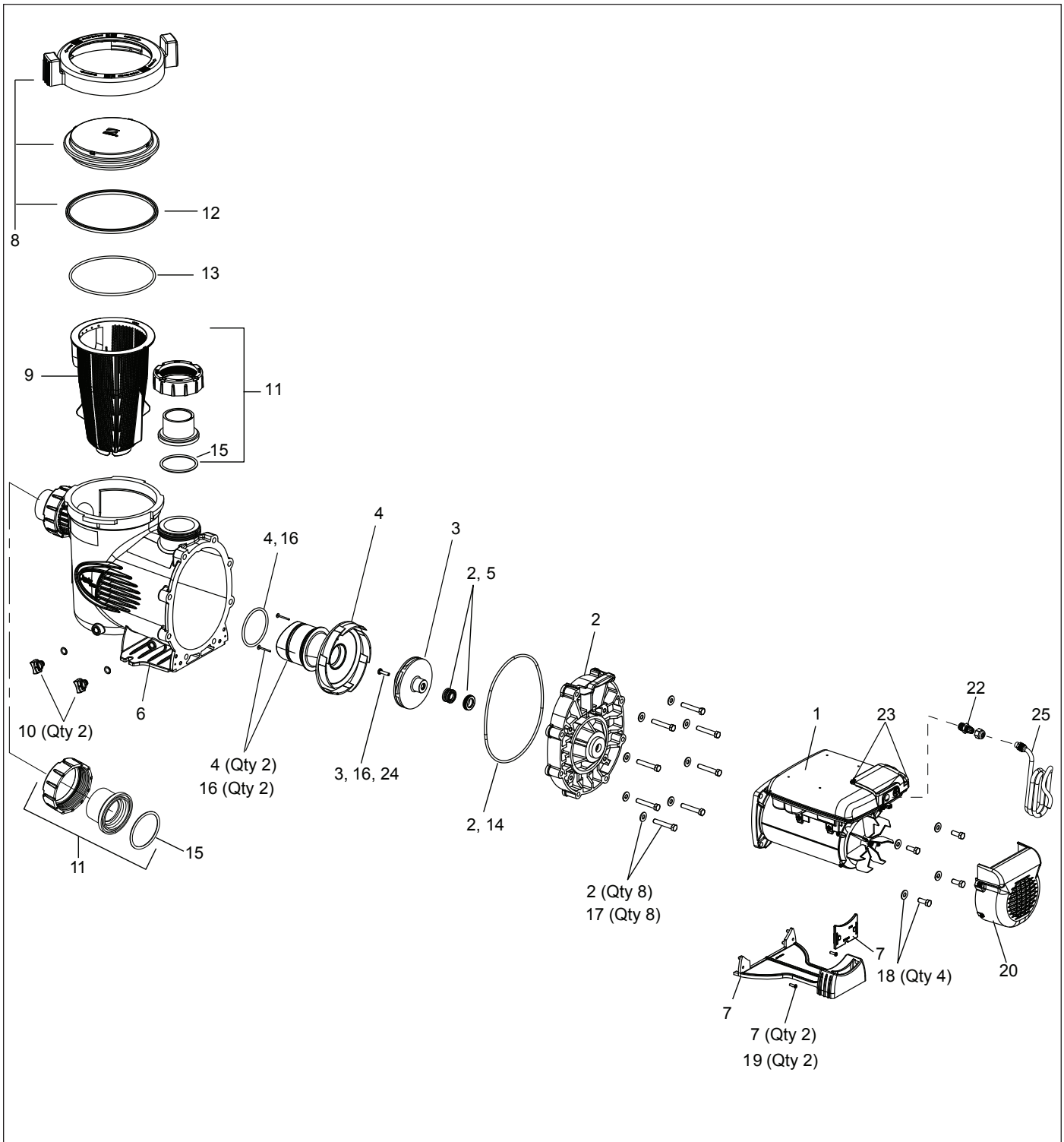
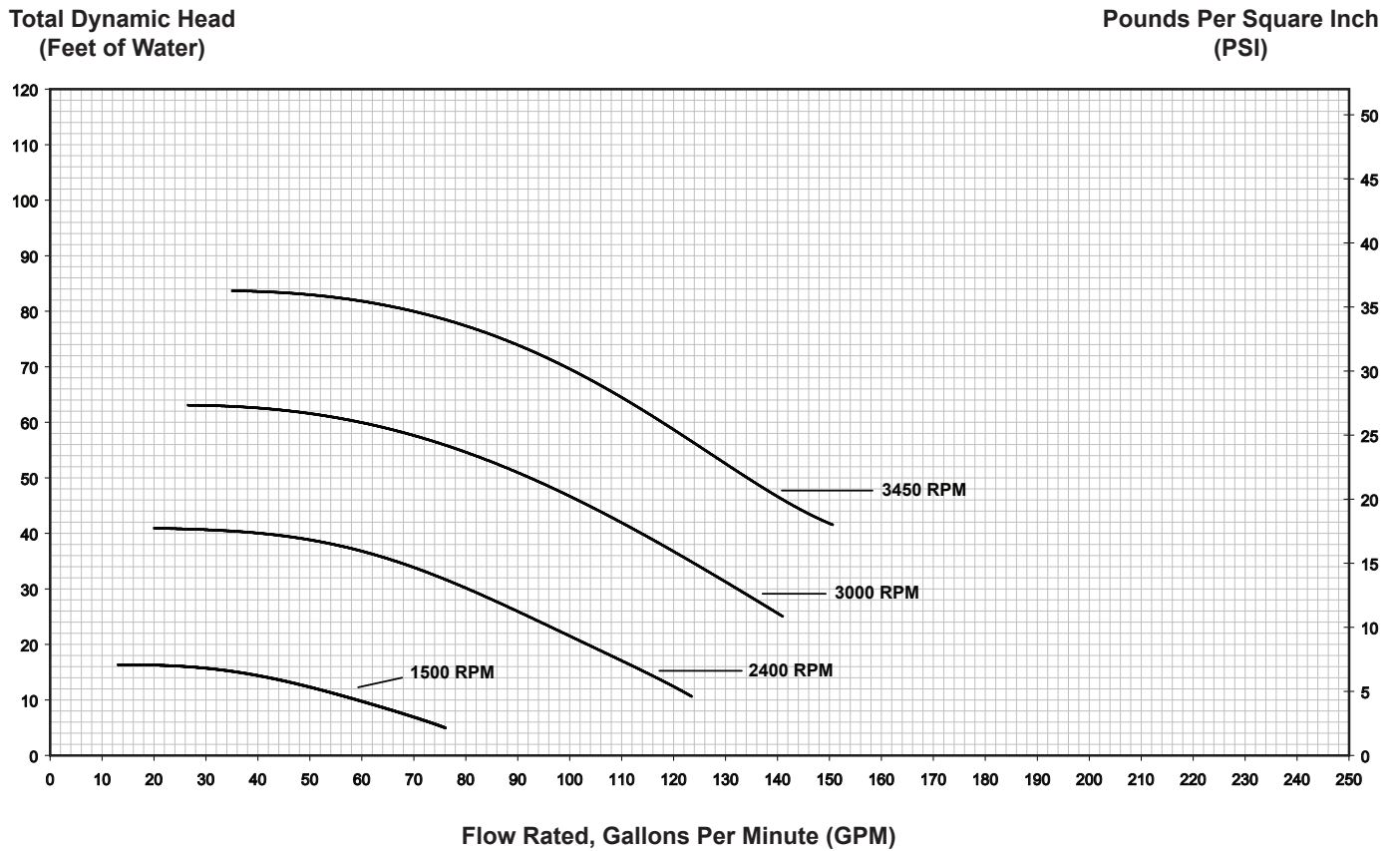


Figure 9. ePump + SVRS Exploded View

7.2 Performance Curves

ePump + SVRS Pump Curves

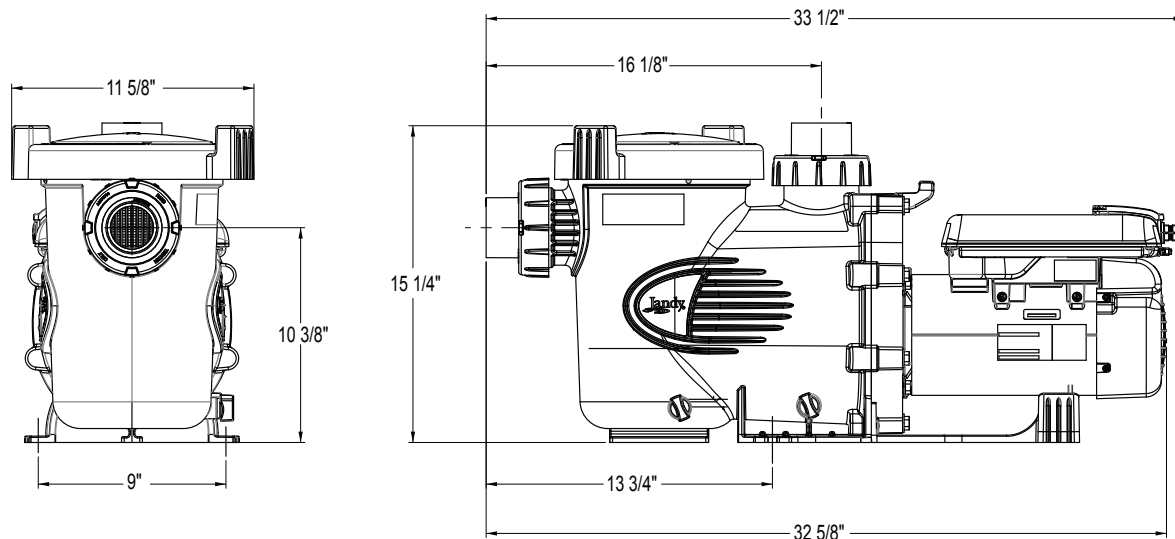


7.3 Physical and Operational Specifications

Specifications

Model No.	HP	Voltage	Watts	Pipe Size	Carton Weight	Overall Length
JEP2.0SVRS	0.25 - 2.7	230 VAC	2,400 W	2½ - 3"	59.3 lbs.	33½"

Dimensions



NOTE When installing a pump, leave a minimum of 2 feet of clearance above the pump for removal of the filter basket.

Zodiac Pool Systems, Inc.
2620 Commerce Way, Vista, CA 92081
1.800.822.7933 | www.ZodiacPoolSystems.com

Zodiac Pool Systems Canada, Inc.
2115 South Service Road West, Unit 3 Oakville (ON) L6L 5W2
+ 1 (888) 647-4004 | www.ZodiacPoolSystems.ca



ETL LISTED
CONFORMS TO
UL STD 1081



Certified to
CAN/CSA C22.2
No. 108

Certified to
NSF/ANSI Standard 58

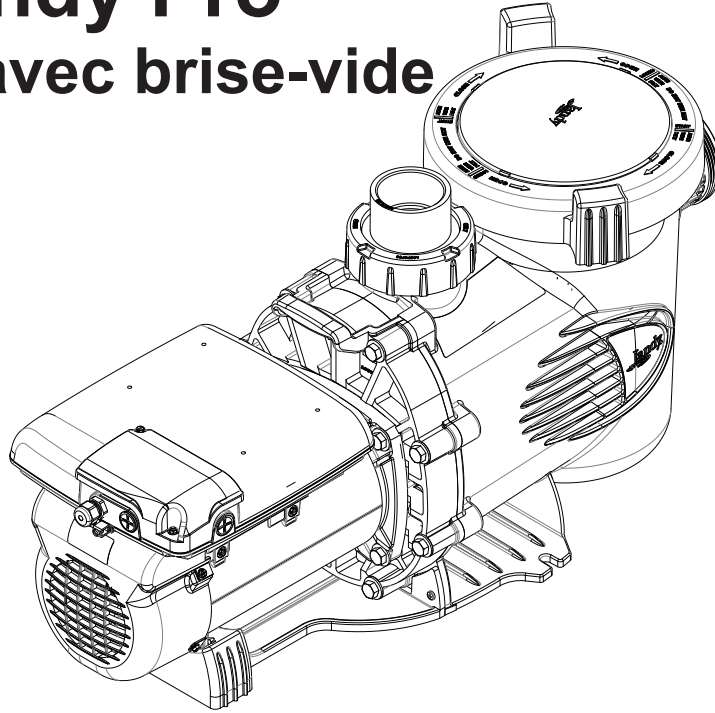
©2015 Zodiac Pool Systems, Inc. ZODIAC® is a registered trademark of Zodiac International, S.A.S.U., used under license. All trademarks referenced herein are the property of their respective owners.



GUIDE D'INSTALLATION ET MODE D'EMPLOI

ENGLISH | FRANÇAIS | ESPAÑOL

Série Jandy Pro ePump™ avec brise-vide



⚠ AVERTISSEMENT

Le système à soupape brise-vide peut prévenir les risques qu'une personne soit piégée; ce système ne protège pas contre l'enchevêtrement mécanique, le piégeage de cheveux ou de membres ou le démembrement.

POUR VOTRE SÉCURITÉ – L'installation et l'entretien de ce produit doivent être effectués par un technicien autorisé et qualifié pour la réparation des équipements de piscine dans le territoire de compétence dans lequel ledit produit est installé lorsque de telles exigences locales, provinciales ou territoriales existent. Le responsable de l'entretien doit être un professionnel ayant une expérience suffisante dans l'installation et l'entretien des équipements de piscine de manière à ce que les consignes du présent manuel puissent être suivies à la lettre. Avant d'installer ce produit, prière de lire et respecter toutes les consignes de mise en garde et les instructions comprises avec ce produit. Le non-respect des avertissements et des instructions pourrait causer des dommages matériels, des blessures graves ou même la mort. Une installation ou une utilisation inappropriée annuleront la garantie.



L'installation ou l'utilisation inappropriée peuvent créer un danger électrique indésirable, lequel peut entraîner des blessures graves, des dommages matériels ou la mort.

À L'ATTENTION DE L'INSTALLATEUR – Le présent manuel contient des renseignements importants sur l'installation, le fonctionnement et la sécurité de ce produit. Ces renseignements doivent être donnés au propriétaire ou à l'utilisateur de cet appareil.

Table des matières

Section 1. Consignes de sécurité importantes ...	27	Section 4. Mode d'emploi	40
1.1 Consignes de sécurité	27	4.1 Démarrage.....	40
1.2 Lignes directrices de prévention contre le piégeage par aspiration de la pompe de la piscine.....	30	4.2 Déclenchement du système brise-vide	41
1.3 Loi Virginia Graeme Baker sur la sécurité des piscines et des spas.....	31	Section 5. Entretien et maintenance	41
Section 2. Description générale	32	5.1 Maintenance périodique	41
2.1 Introduction.....	32	5.2 Hivernage de la pompe	41
2.2 Description.....	32	Section 6. Dépannage et réparation	42
Section 3. Renseignements sur l'installation.....	32	6.1 Technicien en entretien et maintenance	42
3.1 Canalisation.....	32	6.2 Dépannage	43
3.2 Installation électrique.....	34	Section 7. Caractéristiques et fiche technique du produit	45
3.3 Réglages du commutateur DIP de la ePump	37	7.1 Liste et vue éclatée des pièces de rechange.....	45
3.4 Circuit auxiliaire	37	7.2 Courbes de performance.....	47
3.5 Essai de pression	38	7.3 Spécifications techniques et de fonctionnement	47
3.6 Conduite d'un essai de pression	40		
3.7 Essai du système brise-vide.....	40		

FICHE DE RENSEIGNEMENTS SUR L'ÉQUIPEMENT

DATE D'INSTALLATION _____

INFORMATION SUR L'INSTALLATEUR _____

LECTURE INITIALE DU MANOMÈTRE (AVEC FILTRE PROPRE) _____

MODÈLE DE POMPE _____ PUISSANCE _____

REMARQUES :

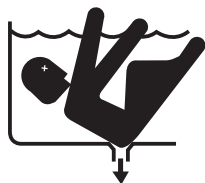
Section 1. Consignes importantes de sécurité

LIRE ET SUIVRE TOUTES LES DIRECTIVES

1.1 Consignes de sécurité

Tous les travaux d'électricité doivent être accomplis par un électricien agréé et doivent être conformes aux normes fédérales, provinciales et locales. Au moment de l'installation et de l'utilisation de cet équipement électrique, des précautions de base doivent toujours être suivies, entre autres :

AVERTISSEMENT



RISQUE DE PIÉGEAGE DANS LA CONDUITE D'ASPIRATION QUI, SI NON ÉVITÉ, POURRAIT ENTRAÎNER DES BLESSURES GRAVES OU LA MORT. Ne pas bloquer l'aspiration de la pompe, car cela peut causer une blessure grave ou la mort. Ne pas utiliser cette pompe pour des pataugeoires, des piscines peu profondes ou des spas ayant des canalisations d'évacuation à la base, sauf si la pompe est connectée à au moins deux (2) orifices d'aspiration qui fonctionnent. Les couvercles de canalisations d'évacuation doivent être certifiés par la dernière édition publiée de la norme ANSI®/ASME® A112.19.8, ou de la norme qui lui succède, ANSI/APSP-16. Il est absolument crucial que la tuyauterie reliée au conduit d'aspiration soit installée conformément aux codes nationaux et régionaux relatifs aux piscines les plus récents.

AVERTISSEMENT

Si une soupape hydrostatique est installée sur la conduite d'aspiration du système de circulation de la piscine, la durée pendant laquelle un vide puissant demeurera présent au niveau de la bouche d'aspiration peut augmenter, même si un dispositif brise-vide est installé dans le système.

POUR ÉVITER LES RISQUES DE BLESSURE GRAVE OU DE MORT. Ne PAS utiliser de soupapes anti-retour ou de soupapes hydrostatiques avec cette pompe.

- La fonctionnalité brise-vide de la pompe risque de ne pas fonctionner efficacement si la pompe est installée à plus de 90 cm (3 pi) au-dessus ou en dessous du niveau de l'eau de la piscine. Pour cette raison, afin de réduire le risque de piégeage par aspiration, qui peut causer des blessures graves ou la mort, NE PAS INSTALLER LA POMPE À PLUS DE 90 CM (3 PI) AU-DESSUS OU 90 CM (3 PI) SOUS le niveau de l'eau de la piscine ou du spa.

AVERTISSEMENT

Cette pompe possède un moteur doté d'un système brise-vide conforme à la norme ANSI/ASME A112.19.17. Le système brise-vide permet d'éviter le piégeage par aspiration d'une personne sur une bouche d'évacuation. Dans certaines piscines, si le corps d'une personne recouvre l'ouverture du tuyau, il peut être bloqué en raison de l'aspiration. Si cela se produit, le système brise-vide peut interrompre l'aspiration pour réduire le risque de noyade.

Le système brise-vide ne protège PAS contre les autres risques liés aux bouches d'aspiration, comme les suivants :

- Piégeage des cheveux – cheveux coincés ou emmêlés dans la bouche d'aspiration
- Piégeage mécanique – bijoux, maillots de bain, doigts, etc., coincés dans la bouche d'aspiration
- Piégeage d'un membre – bras ou jambe coincé dans une bouche d'évacuation à découvert ou brisée.
- Démembrement/éviscération – la force de succion au niveau de la bouche d'aspiration peut aspirer la partie inférieure de l'intestin hors du rectum, causant des dommages irréversibles.

AVERTISSEMENT

Des couvercles de bouche d'aspiration adéquatement conçus et installés peuvent protéger contre les dangers mentionnés ci-haut. Cette pompe à dispositif brise-vide ne saurait remplacer un couvercle de bouche d'aspiration adéquatement conçu et installé. Toutes les bouches d'aspiration doivent être dotées de leurs propres couvercles et la totalité du montage dont fait partie la bouche d'aspiration doit être en bon état et être certifié et déclaré comme étant conforme à la norme ANSI/ASME A112.19.8, ou la norme qui lui succède, ANSI/APSP-16, la norme sur les Raccords d'aspiration aux fins d'utilisation dans les piscines, les pataugeoires, les spas et les jacuzzis.

AVERTISSEMENT

Avant de se baigner, le fonctionnement adéquat de la pompe ePump avec brise-vide doit toujours être vérifié de la manière suivante. Une soupape à bille, une vanne papillon ou une vanne à lunette doit être installée à moins de 0,6 m (2 pi) en amont de la pompe ePump avec brise-vide (entre la pompe ePump avec brise-vide et la bouche d'aspiration), ou une planche d'essai peut être utilisée pour recouvrir la bouche d'aspiration, afin de simuler un incident de piégeage par aspiration. Trois simulations de piégeage doivent être effectuées pour confirmer que l'appareil fonctionne et qu'il est réglé correctement.

⚠ AVERTISSEMENT

La fonction brise-vide de cette pompe demeure inactive pendant les dix (10) premières minutes de fonctionnement. Pendant cette période, la pompe ne surveille pas si les bouches d'aspiration ou de refoulement sont bloquées. Interdire aux baigneurs d'accéder à la piscine quand le système brise-vide est inactif, notamment dans les dix (10) minutes qui suivent la mise sous tension.

⚠ AVERTISSEMENT

Pour réduire le risque de blessure, ne permettre à personne (enfant ou adulte) n'ayant connaissance du fonctionnement d'une pompe de piscine d'utiliser ce produit sans une surveillance étroite et constante.

⚠ AVERTISSEMENT

RISQUE DE CHOC ÉLECTRIQUE, D'INCENDIE, DE BLESSURES OU DE MORT. Débrancher toujours le courant de la pompe au niveau du disjoncteur et retirer le câble de communication RS-485 de la pompe avant d'entreprendre une réparation de la pompe.

⚠ AVERTISSEMENT

Afin de réduire le risque de dommages matériels ou de blessures, ne pas essayer de changer la position du robinet de lavage à contre-courant (multivoies, de glissement ou de passage intégral) pendant le fonctionnement de la pompe.

⚠ AVERTISSEMENT

Les pompes Jandy sont entraînées par un moteur électrique à haute tension et doivent être installées par un électricien agréé ou certifié ou un technicien qualifié en entretien de piscine.

⚠ AVERTISSEMENT

En raison du risque potentiel d'incendie, de choc électrique ou de blessures aux personnes, les pompes Jandy doivent être installées en conformité avec le Code national de l'électricité (NEC®), tous les codes locaux d'électricité et de sécurité et la Loi sur la santé et la sécurité au travail (OSHA). Des copies du Code national de l'électricité peuvent être commandées auprès de la « National Fire Protection Association », 470 Atlantic Ave., Boston, MA 02210, ou de l'agence locale d'inspection gouvernementale.

⚠ AVERTISSEMENT

RISQUE DE CHOC ÉLECTRIQUE, D'INCENDIE, DE BLESSURES OU DE MORT. Ne jamais ouvrir le boîtier du moteur. Brancher seulement à un circuit qui est protégé par un disjoncteur de fuite à la terre. En cas de doute, consulter un électricien certifié. S'assurer qu'un tel disjoncteur est fourni par l'installateur et fait l'objet d'essais régulièrement. Pour tester le disjoncteur de fuite à la terre, appuyer sur le bouton TEST. Le disjoncteur de fuite à la terre doit couper l'alimentation électrique. Appuyer sur le bouton RESET (réinitialisation). L'alimentation électrique devrait être restaurée. Si le DDFT ne fonctionne pas de cette façon, c'est qu'il est défectueux. Si le disjoncteur de fuite à la terre coupe l'alimentation à la pompe sans que le bouton de test soit enfoncé, il y a alors circulation de courant à la terre, ce qui indique la possibilité de choc électrique. Ne pas utiliser l'appareil Débrancher cet appareil et s'assurer que le problème soit résolu par un représentant de service qualifié avant de l'utiliser.

⚠ AVERTISSEMENT

Si l'installation est effectuée dans un endroit autre qu'une demeure mono-familiale, le Code national de l'électricité (NEC, NFPA-70) exige l'installation d'un interrupteur d'arrêt d'urgence adéquatement affiché, et facile d'accès pour les occupants de la piscine ou du spa. Un tel interrupteur doit être visible, mais être situé à au moins 1,52 m (5 pi) de la piscine ou du spa.

⚠ AVERTISSEMENT

Un équipement mal installé peut être défaillant et causer des blessures graves ou des dommages matériels.

⚠ AVERTISSEMENT

- Ne pas raccorder la pompe à un système d'aqueduc de ville non réglementé ou à une autre source externe d'eau sous pression produisant des pressions supérieures à 35 lb/ po² (241 kPa).
- Le piégeage d'air dans le système peut provoquer une ouverture explosive du couvercle du filtre pouvant causer la mort, de graves blessures personnelles ou des dommages matériels.
Avant d'utiliser le système, s'assurer que tout l'air soit bien expulsé.

⚠ AVERTISSEMENT

La pompe ePump de la série Jandy Pro avec brise-vide peut générer une pression dans le système pouvant atteindre 50 lb/po² (345 kPa). Les installateurs doivent s'assurer que tous les composants du système soient conçus pour résister à une pression d'au moins 50 lb/po² (345 kPa). Une surpression dans le système peut causer une panne catastrophique du système ou des dommages matériels.

⚠ AVERTISSEMENT

Pour réduire les risques de blessure grave, voire de mort, le filtre et/ou la pompe ne devraient pas être soumis à l'essai de mise sous pression du système de tuyauterie.

Les codes locaux peuvent exiger l'application d'un essai de pressurisation sur la tuyauterie de la piscine. Ces exigences ne s'appliquent généralement pas à l'équipement de piscine tel que les filtres ou les pompes.

L'équipement de piscine Jandy a fait l'objet d'essais de pressurisation en usine.

Si toutefois l'AVERTISSEMENT ne peut être respecté et que l'essai de pression du système de tuyauterie doit aussi comprendre le filtre et/ou la pompe, S'ASSURER DE SE CONFORMER AUX CONSIGNES DE SÉCURITÉ SUIVANTES :

- Vérifier tous les colliers, les boulons, les couvercles, les bagues de blocage et les accessoires du système afin de s'assurer qu'ils sont correctement installés et fixés solidement avant les essais.
- **ÉVACUER TOUT L'AIR** dans le circuit avant les essais.
- La pression d'eau pour l'essai ne doit PAS DÉPASSER 35 lb/po² (241 kPa).
- La température de l'eau pour l'essai NE DOIT PAS DÉPASSER 100 °F (38 °C).
- Limiter l'essai à 24 heures. Après l'essai, vérifier visuellement le système pour s'assurer qu'il est prêt à fonctionner.

Avis : ces paramètres s'appliquent uniquement à l'équipement Jandy. Pour l'équipement non fabriqué par Jandy, prière de consulter le fabricant.

⚠ AVERTISSEMENT

Des déversements et vapeurs chimiques peuvent affaiblir l'équipement de la piscine ou du spa. La corrosion peut causer la défaillance des filtres et autre équipement, ce qui peut entraîner des blessures graves ou des dommages matériels. Ne pas entreposer de produits chimiques de piscine près de votre équipement.

⚠ MISE EN GARDE

Ne pas démarrer votre pompe à sec! Faire fonctionner la pompe à sec pendant une durée quelconque causera des dommages importants et annulera la garantie.

MISE EN GARDE

- Cette pompe doit être utilisée avec des piscines installées de manière permanente et, si c'est également mentionné, avec des jacuzzis et des spas. Ne pas utiliser dans des piscines remisables. Une piscine installée est construite dans le sol ou en surface ou dans un bâtiment, de manière à ce qu'elle ne puisse pas être facilement démontée pour l'entreposage. Une piscine remisable est construite pour être facilement démontée aux fins d'entreposage, puis réassemblée à son état initial.
- Ne pas installer sous la jupe d'une cuve thermique. La pompe nécessite une ventilation adéquate afin de maintenir la température de l'air inférieure à la température ambiante maximale indiquée sur la plaque signalétique du moteur.
- Pour l'installation au Canada, cette pompe comporte un indice de boîtier protection de type 3R et n'est donc pas destinée à être installée dans des zones soumises à la poussière soufflée par le vent.
- La pompe doit être installée de sorte que tout dispositif de débranchement ou boîte de raccordement électrique soient visibles depuis la pompe et situés à au moins 1,5 mètres (5 pi) de la paroi interne de la piscine ou du spa. Au Canada, les installations doivent être au moins à trois (3) mètres de l'eau de la piscine.
- Se référer aux instructions relatives aux raccordements électriques dans la section 3.2 du présent mode d'emploi et consulter les codes locaux et nationaux relativement à l'emploi d'un fil de calibre 8 AWG ou plus afin de raccorder adéquatement le moteur de la pompe à d'autres composants métalliques et appareils électriques à proximité de la piscine ou du spa.

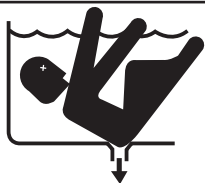
⚠ AVERTISSEMENT

La pompe ePump de la série Jandy Pro avec brise-vide a été conçue pour être commandée par les systèmes de contrôle Jandy. Toute tentative de commander la pompe à l'aide du régulateur d'un autre fabricant pourrait engendrer une panne logicielle dans la pompe, le moteur ou d'autres composants du système. Une telle panne pourrait engendrer des blessures graves (p. ex., échec du système brise-vide, décharge électrique) ou la mort.

⚠ DANGER

Avis concernant les risques de piégeage : Les couvercles de canalisations d'évacuation doivent être certifiés par la dernière édition publiée de la norme ANSI®/ASME® A112.19.8, ou de la norme qui lui succède, ANSI/APSP-16. Ces couvercles doivent être inspectés régulièrement et changés s'ils présentent des fissures, se brisent ou dépassent la durée utile pour laquelle ils ont été conçus, telle qu'indiquée par le fabricant. Le débit maximal de cette pompe devrait être inférieur ou égal au débit maximum approuvé par le fabricant du couvercle de bouche d'aspiration. **LE FAIT D'UTILISER UN COUVERCLE NON APPROUVÉ OU D'AUTORISER LA PISCINE OU LE SPA À ÊTRE UTILISÉ ALORS QUE LES COUVERCLES SONT ABSENTS, FÊLÉS OU BRISÉS PEUT ENTRAÎNER DES ACCIDENTS COMME LE CORPS OU DES MEMBRES ENCHEVÊTRÉS, LES CHEVEUX COINCÉS, L'ÉVISCÉRATION OU LA MORT.**

1.2 Normes de prévention du piégeage par aspiration de la pompe de piscine.



⚠ AVERTISSEMENT

DANGER D'ASPIRATION. Peut provoquer de graves blessures ou la mort. Ne pas utiliser cette pompe pour des pataugeoires ou des piscines peu profondes ou des spas ayant des canalisations d'évacuation à la base, sauf si la pompe est connectée à au moins deux (2) orifices d'aspiration qui fonctionnent.

⚠ AVERTISSEMENT

L'aspiration de la pompe est dangereuse et peut piéger, noyer ou éviscérer les baigneurs. Ne pas utiliser ni faire fonctionner les piscines, les spas ou les jacuzzis si un couvercle de sortie d'aspiration est absent, brisé ou instable.

Les directives suivantes fournissent l'information d'installation de la pompe qui permet de réduire le plus possible les risques de blessures aux utilisateurs des piscines, des spas et des jacuzzis :

Protection contre le piégeage — Le système d'aspiration de la pompe doit fournir une protection contre les dangers de piégeage par aspiration.

Couvercles de bouches d'aspiration — Toutes les bouches d'aspiration doivent être correctement installées, et les couvercles bien vissés en place. Tous les couvercles de bouche d'aspiration (canalisation d'évacuation) doivent être entretenus adéquatement. Ils doivent être remplacés s'ils sont fissurés, cassés ou absents. Les couvercles de canalisations d'évacuation doivent être listés/certifiés par la dernière édition publiée d'ANSI/ASME A112.19.8, ou de la norme qui lui succède, ANSI/APSP-16. La piscine doit être fermée et les baigneurs doivent avoir l'interdiction d'y entrer jusqu'à ce que tout couvercle de conduite d'évacuation fissuré, brisé ou manquant soit changé.

Nombre de bouches d'aspiration par pompe — Fournir au moins deux (2) bouches d'aspiration hydrauliquement équilibrées, avec couvercles, en guise de bouches d'aspiration pour chaque conduite d'aspiration de pompe de circulation. Les centres des bouches d'aspiration sur toute conduite d'aspiration doivent être à au moins un (1) mètre (3 pi) l'une de l'autre, de centre en centre. Voir Figure 1.

Le système **doit** être conçu pour comprendre au moins deux bouches d'aspiration (drains) connectées à la pompe chaque fois que la pompe fonctionne. Cependant, si deux (2) bouches d'aspiration aboutissent à une seule conduite d'aspiration, cette dernière peut être équipée d'un robinet qui coupera les deux bouches d'aspiration de la pompe. Le système doit être conçu de manière à ne pas permettre une fermeture ou un isolement distinct ou indépendant de chaque drain. Voir la Figure 1.

D'autres pompes peuvent être raccordées à une conduite d'aspiration unique à condition que les exigences susmentionnées soient remplies.

CONSERVER CES DIRECTIVES

⚠ AVERTISSEMENT

Vitesse du courant — La vitesse maximale du courant passant par la bouche d'aspiration et son couvercle pour toute bouche d'aspiration ne doit pas dépasser le débit maximal pour lequel ils ont été conçus. Le débit à travers les autres bouches d'aspiration (drains) et leurs couvercles doit être conforme à la dernière version ANSI/ASME A112.19.8 publiée, la norme pour les raccords d'aspiration à utiliser dans les piscines, pataugeoires, spas et cuves thermales, ou à la norme qui lui succède, ANSI/ASME APSP-16.

Essais et certification — Les couvercles des bouches d'aspiration doivent avoir fait l'objet d'essais de la part d'un laboratoire reconnu au niveau national et jugés conformes à la dernière version publiée de la norme ANSI/ASME A112.19.8, la norme pour les raccords d'aspiration à utiliser dans les applications de piscine, de pataugeoire, de spa et de cuve thermale, ou à la norme qui lui succède, ANSI/APSP-16.

Raccords — Les raccords limitent le débit, pour une plus grande efficacité, utiliser le moins de raccords possibles (mais au moins deux (2) bouches d'aspiration).

Éviter les raccords qui pourraient causer le piégeage d'air.

Les raccords d'aspiration du nettoyeur à piscine doivent être conformes aux normes de l'Association Internationale de plomberie et des codes mécaniques (IAPMO).

1.3 LOI VIRGINIA GRAEME BAKER SUR LA SÉCURITÉ DES PISCINES ET DES SPAS

La loi Virginia Graeme Baker (VGB) sur les piscines et spas crée de nouvelles exigences pour les propriétaires et les exploitants de piscines et spas publics.

Les piscines ou spas publics construits le 20 décembre 2008 ou plus tard devront employer :

- (A) Aucune bouche d'aspiration submergée, un système de drainage par gravité avec couvercle(s) conforme(s) ASME/ANSI, une ou plusieurs bouches sans blocage possible ; OU
- (B) Un système comportant plusieurs bouches d'aspiration avec couvercles sans capacité d'isolation conforme à la norme ASME/ANSI A112.19.8 « Suction Fittings for Use in Swimming Pools, Wading Pools, Spas, and Hot Tubs » et soit :
 - (i) Un système brise-vide conforme à la norme ASME/ANSI A112.19.17 « Manufactured Safety Vacuum Release Systems (SVRS) for Residential and Commercial Swimming Pool, Spa, Hot Tub, and Wading Pool Suction Systems » et/ou la norme ASTM F2387 « Standard Specification for Manufactured Safety Vacuum Release Systems (SVRS) for Swimming Pools, Spas and Hot Tubs » ou
 - (ii) Un système d'évacuation qui limite la pression d'aspiration, adéquatement conçu et mis à l'essai, ou
 - (iii) Un dispositif d'arrêt d'urgence automatique de la pompe.

Les piscines et spas publics construits avant le 20 décembre 2008 avec une seule bouche d'aspiration submergée devront utiliser un couvercle conforme à la norme ASME/ANSI A112.19.8 et soit :

- (A) Un système à bouches d'aspiration multiples sans capacité d'isolation, ou
- (B) Un système brise-vide conforme à la norme ASME/ANSI A112.19.17 et/ou à la norme ASTM F2387, ou
- (C) Un système d'évacuation qui limite la pression d'aspiration, adéquatement conçu et mis à l'essai, ou
- (D) Un système d'arrêt d'urgence automatique de la pompe, ou
- (E) Des bouches submergées condamnées, ou
- (F) Des bouches d'aspiration reconfigurées en bouches de recirculation.

Pour de plus amples renseignements sur la loi, communiquer avec la Consumer Product Safety Commission au (301) 504-7908 ou visiter le site www.cpsc.gov.

Section 2. Description générale

2.1 Introduction

Le présent manuel contient des renseignements sur l'installation, le fonctionnement et l'entretien appropriés des pompes à vitesse variable ePump de la série Jandy Pro avec brise-vide. Les procédures de ce manuel doivent être scrupuleusement suivies. Pour obtenir des exemplaires supplémentaires du présent manuel, communiquer avec le Soutien technique de Jandy au 1 800 822-7933 ou visiter notre site, www.zodiacpoolsystems.com. Pour des renseignements sur l'adresse, voir le verso du présent manuel.

2.2 Description

La pompe ePump avec brise-vide est une pompe à vitesse variable qui fonctionne à un régime de 1050 tr/min à 3 450 tr/min.

REMARQUE Certains régulateurs de pompe peuvent indiquer des vitesses inférieures à 1050 tr/min même si le régime de la pompe se situe entre 1050 tr/min et 3 450 tr/min.

Une fois reliée au régulateur ePump avec brise-vide (JEP-R), huit (8) réglages de vitesse peuvent être mémorisés et rétablis. Cela permet de choisir la vitesse la plus adéquate pour votre application. Pour une programmation encore plus polyvalente, utiliser un régulateur RS AquaLink.

Les pompes ePump de la série Jandy Pro avec brise-vide sont conçues pour répondre aux besoins hydrauliques plus exigeants des appareils de piscine d'aujourd'hui. Le boîtier de pompe, le panneau arrière, le diffuseur et le filtre à cheveux et à mousse (panier-filtre) sont tous composés de matières thermoplastiques de qualité supérieure. Ces matériaux ont été choisis pour leur robustesse et leur résistance à la corrosion.

La pompe est actionnée par un moteur électrique directement lié à la turbine de la pompe. Le moteur électrique entraîne la turbine qui propulse l'eau à travers la pompe. L'eau s'écoule par l'entrée de la pompe puis passe par le panier-filtre. L'ensemble-filtre épure l'eau en piégeant les particules de grande taille. L'eau pénètre alors au centre du boîtier de pompe, puis traverse la turbine jusqu'au diffuseur et sort par l'orifice de refoulement de la pompe.

Section 3. Information sur l'installation

3.1 Plomberie

Information sur la préparation

- Dès réception de la pompe, vérifier que la boîte d'expédition n'est pas endommagée. Ouvrir la boîte et vérifier que la pompe ne cache aucun dommage comme des fissures, des bosses et que la base n'a pas été pliée. S'il y a des dommages, communiquer avec l'expéditeur ou le concessionnaire chez qui la pompe a été achetée.
- Inspecter le contenu du carton et vérifier que toutes les pièces s'y trouvent. Voir la *Section 7.1, Liste et vue éclatée des pièces de rechange*.

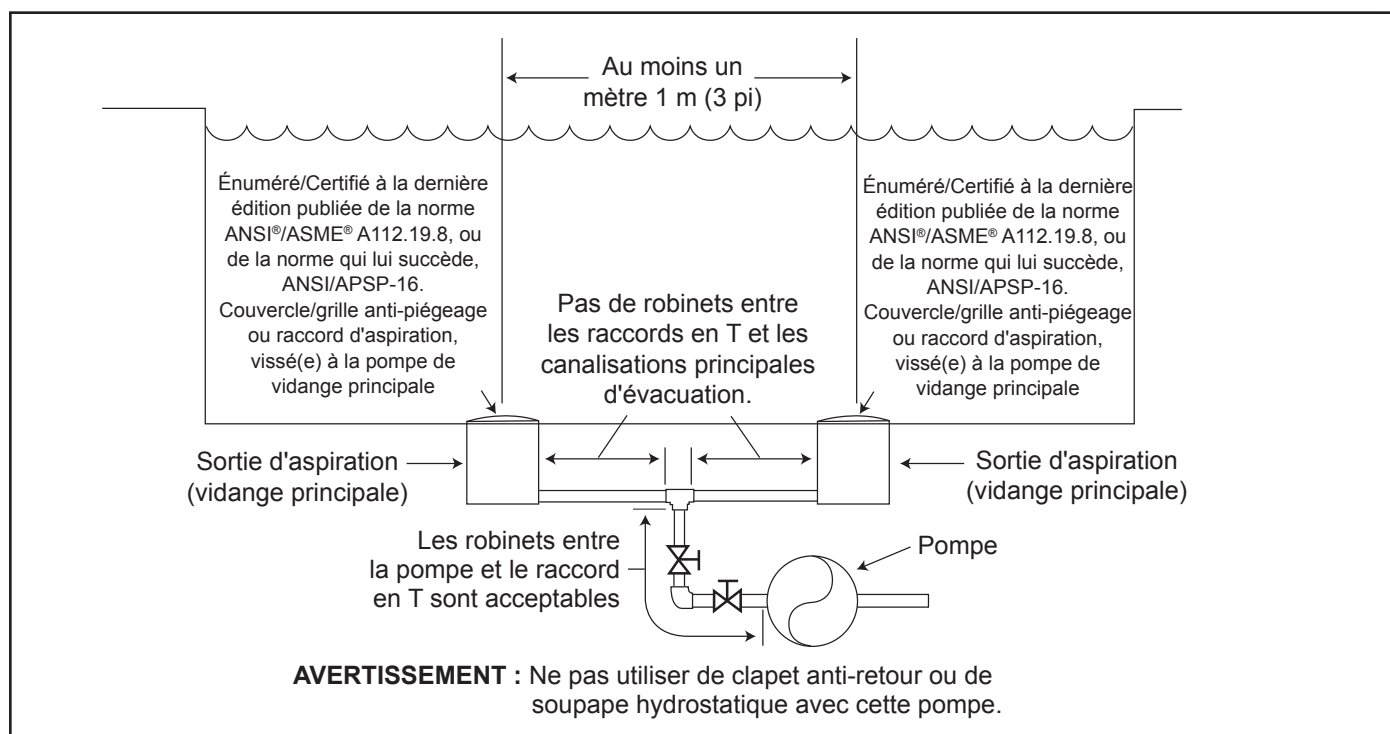


Figure 1. Nombre de sorties d'aspiration par pompe

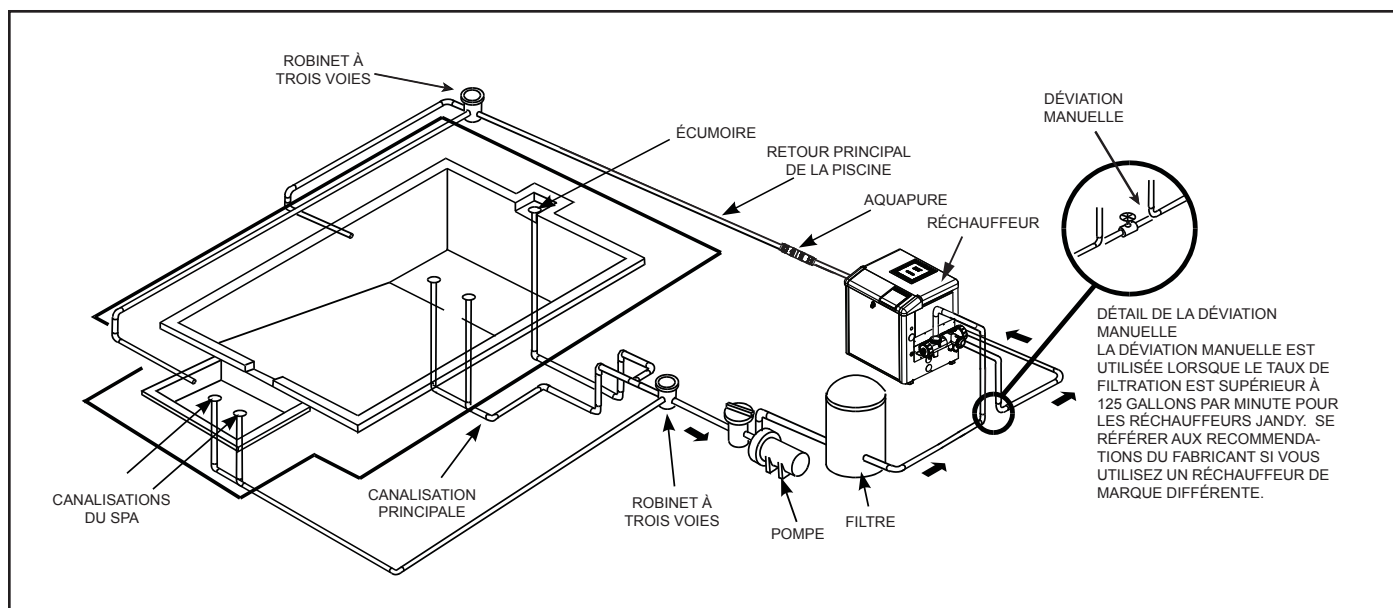


Figure 2. Installation typique de la tuyauterie

Emplacement de la pompe

MISE EN GARDE

Pour l'installation au Canada, cette pompe comporte un indice de boîtier protection de type 3R et n'est donc pas destinée à être installée dans des zones soumises à la poussière soufflée par le vent.

1. Zodiac® recommande d'installer la pompe à 30 cm (1 pied) au-dessus du niveau de l'eau. Se référer à la Figure 2 pour une installation typique. La pompe ne devrait pas être située à plus d'un (1) mètre (3 pi) au-dessus ou en-dessous de la surface de l'eau de la piscine.

⚠ AVERTISSEMENT

Cet appareil à système brise-vide n'est pas compatible avec l'installation d'un clapet anti-retour. Les clapets anti-retour et les soupapes hydrostatiques **ne doivent pas être utilisés** avec cette pompe.

La fonction brise-vide de cette pompe risque de ne pas se déclencher efficacement si la pompe est installée à plus de 3 pi au-dessus ou en-dessous du niveau de l'eau de la piscine. Pour cette raison, afin de réduire le risque de piégeage par aspiration, qui peut engendrer des blessures graves ou la mort, **NE PAS INSTALLER LA POMPE À PLUS DE 3 PI AU-DESSUS OU EN-DESSOUS** du niveau de l'eau de la piscine ou du spa.

2. Si la pompe est située sous le niveau de l'eau, les clapets d'isolement doivent être installés à la fois dans les conduites d'aspiration et de retour afin d'empêcher le retour d'eau de la piscine pendant tout entretien requis ou de routine.
3. La pompe doit être installée de sorte que tout dispositif de débranchement ou boîte de raccordement électrique soit visible depuis la pompe, mais situé au moins à 1,5 mètres (5 pi) de la bordure de la piscine ou du spa horizontalement. Choisir un emplacement qui réduira les coudes dans la tuyauterie.

REMARQUE Au Canada, le Code canadien de l'électricité (CCE, CSA C22.1) exige une distance minimale de 3 m (10 pi) du bord de la piscine ou du spa.

4. La pompe doit être placée sur une base solide qui ne vibrera pas. Pour réduire davantage la possibilité de bruit de vibration, verrouiller la pompe à la base ou la placer sur un tapis de caoutchouc.

REMARQUE Zodiac recommande de boulonner la pompe directement à la base.

5. La fondation de la pompe doit avoir un drainage adéquat pour empêcher de mouiller le moteur. Protéger la pompe de la pluie et du soleil.
6. Une ventilation adéquate est requise pour que la pompe fonctionne normalement. Tous les moteurs dégagent de la chaleur, laquelle doit être évacuée à l'aide d'une bonne ventilation.
7. Prévoir un accès pour entretien futur en laissant une zone dégagée autour de la pompe. Laisser beaucoup d'espace au-dessus de la pompe pour pouvoir ôter le couvercle et le panier-filtre lors du nettoyage.
8. Si l'équipement est dans une zone potentiellement sombre, prévoir un éclairage adéquat.

Dimensions des tuyaux

Tuyau d'aspiration

La taille du tuyau du côté aspiration doit être entre 2,5 et 3 po (64 à 76 mm).

Tuyau de refoulement

La taille du tuyau du côté refoulement doit être entre 2 et 3 po (50 à 76 mm).

REMARQUE Toutes les dimensions de canalisation sont en mesure de résister aux pressions de la pompe, mais pas nécessairement au débit. Si le tuyau d'aspiration est trop petit pour la pompe ou s'il est élevé au-dessus de l'eau, le débit maximum (en gal/min ou L/min) peut ne pas être atteint. Si cela se produit, la pompe développera une poche d'air (cavité) qui fera du bruit. La vie utile de la pompe peut être raccourcie.

Recommandations pour l'installation

1. Pour aider à prévenir les difficultés au moment de l'amorçage, installer la canalisation d'aspiration sans point haut (dessus de l'admission de la pompe - « U » inversés, communément nommés « poches d'air » en plomberie) qui piègent l'air. Pour les installations d'un équipement jusqu'à 100 pieds (30 m) de l'eau, se référer au Tableau 1, le graphique des dimensions de la canalisation. Pour des installations d'équipement à plus de 30 m de l'eau, la dimension de la canalisation recommandée doit être augmentée.

Tableau 1. Tableau des dimensions de canalisation pour l'annexe 40 en PVC

Dimensions de la canalisation	Débit maximal d'aspiration (2,4 mètres (6 pi) par seconde)	Débit de refoulement maximal (2,4 mètres (8 pi) par seconde)
50 mm (2 po)	62 gpm (235 L/min)	85 GPM (322 L/min)
64 mm (2½ po)	88 gpm (333 L/min)	120 GPM (454 L/min)

REMARQUE La pompe ePump avec brise-vide doit uniquement fonctionner à un régime de 27 à 155 gal/min (102 à 587 L/min). La taille du tuyau sera de 2 à 3 po côté refoulement et de 2,5 à 3 po (64 à 76 mm) côté aspiration.

2. La pompe ePump avec brise-vide est munie de raccords aux orifices d'aspiration et de refoulement. Cette fonctionnalité simplifie l'installation et l'entretien et élimine la possibilité de fuite dans les adaptateurs filetés.
3. La pompe ePump avec brise-vide doit être raccordée à au moins deux (2) bouches d'aspiration hydrauliquement équilibrées pour chaque conduite d'aspiration de la pompe de piscine. Se référer à la Figure 2. Chaque canalisation d'évacuation doit être fournie avec des couvercles listés ou agréés par la dernière version publiée de la norme ANSI®/ASME® A112.19.8, ou de la norme qui lui succède, ANSI/APSP-16. Les bouches d'aspiration doivent être éloignées d'au moins un (1) mètre ou se situer sur des plans différents. Les sorties d'aspiration peuvent être un drain et une écumoire, deux (2) drains, deux (2) écumoires ou une écumoire avec une conduite d'égalisation. Pour plus de détails et les instructions, consulter la norme ANSI/APSP 7 pour la Prévention du piégeage dans les piscines, les pataugeoires, les spas, les jacuzzis et les bassins collecteurs. Vérifier les codes locaux pour les normes d'une bonne installation. Les codes locaux applicables ont préséance sur les autres codes.
4. La canalisation doit être bien soutenue et ne pas forcer là où elle exerce une pression constante.

⚠ AVERTISSEMENT

Pour éviter le piégeage d'une personne, le système doit être construit de façon à ce qu'il ne puisse pas fonctionner avec la pompe tirant l'eau d'une seule bouche d'aspiration (1). Au moins deux (2) bouches d'aspiration doivent être reliées à la pompe quand elle est en marche. Cependant, si deux (2) bouches aboutissent à une seule conduite d'aspiration, cette dernière peut être équipée d'un robinet qui coupera simultanément les deux bouches d'aspiration de la pompe.

5. Toujours utiliser des robinets bien calibrés. Jandy Les inverseurs et les clapets à bille Jandy offrent un meilleur débit.
6. Utiliser le moins de raccords possibles. Chaque raccord supplémentaire a pour effet de déplacer l'équipement plus loin de l'eau.

REMARQUE Si plus de dix (10) raccords d'aspiration sont nécessaires, les dimensions de la canalisation doivent être augmentées.

7. Chaque nouvelle installation doit subir un essai de pression conformément aux codes locaux.

3.2 Installation électrique

Vérifications de la tension

La tension adéquate, telle qu'elle est spécifiée sur la plaque d'identification de la pompe, est nécessaire pour une bonne performance et une longue durée de vie du moteur. Une tension inappropriée diminuera le rendement de la pompe et pourrait causer une surchauffe, réduire la durée de vie du moteur et entraîner une augmentation de la facture d'électricité.

Il est de la responsabilité de l'installateur de fournir la tension fonctionnelle de la pompe figurant sur la plaque d'identification en s'assurant que les bonnes dimensions de circuit et de câble soient utilisées pour cet usage spécifique.

Le Code national de l'électricité (NEC®, NFPA-70®) exige que tous les circuits de la pompe d'une piscine soit protégés par un disjoncteur de fuite à la terre (GFCI). Par conséquent, il est également de la responsabilité de l'installateur électrique de s'assurer que le circuit de la pompe soit conforme aux présentes exigences et à toute autre exigence applicable du Code national de l'électricité (NEC) et à tout autre code d'installation applicable.

MISE EN GARDE

L'omission de fournir la tension (à 10 % près) figurant sur la plaque d'identification au cours du fonctionnement causera la surchauffe du moteur et annulera la garantie.

Liaison électrique

1. En plus d'une fuite à la terre adéquate tel que décrit ci-après dans la section *Câblage électrique*, et conformément aux exigences du National Electrical Code (NEC), ou du Code électrique canadien (CEC) au Canada, le moteur de la pompe doit être raccordé à toutes les parties métalliques de la structure de la piscine, du spa ou du jacuzzi ainsi qu'à tous les composants électriques et appareils associés au système de circulation d'eau de la piscine ou du spa.

- La liaison doit être effectuée à l'aide d'un fil conducteur en cuivre massif de calibre 8 AWG ou plus. Au Canada, un fil de calibre 6 AWG ou plus doit être utilisé. Raccorder le moteur à l'aide de la cosse externe fournie sur le moteur (Voir Figure 3).

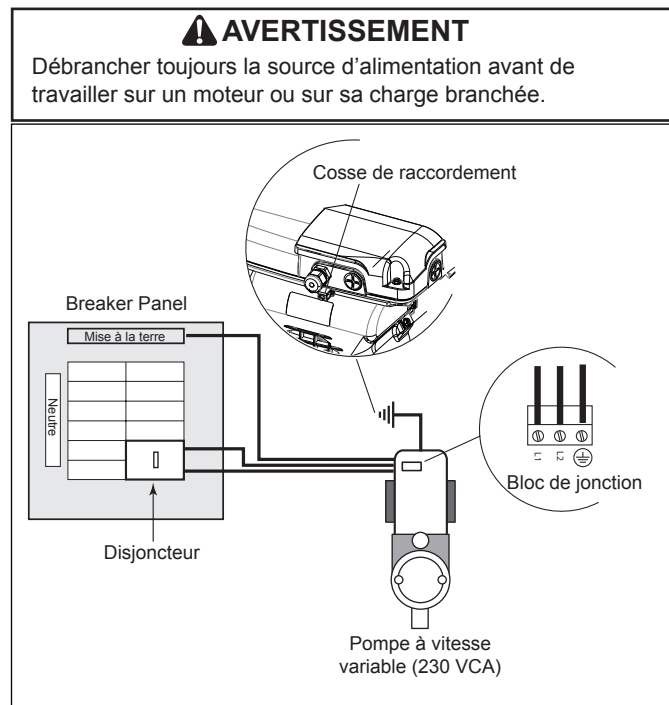


Figure 3. Raccordement du moteur

AVERTISSEMENT

Afin d'éviter le risque de dommage à la propriété, de blessures personnelles graves, et/ou de mort, s'assurer que le commutateur de commande, la minuterie ou le circuit de commande sont installés dans un endroit accessible, de manière à ce que dans l'éventualité d'une panne d'équipement ou d'un raccord de canalisation desserré, l'équipement puisse être facilement mis hors tension.

MISE EN GARDE

Cette pompe doit être connectée en permanence à un circuit électrique dédié. Aucun autre équipement, lumière, appareil ou prise de courant ne peut être connecté au circuit de la pompe à l'exception des dispositifs qui peuvent devoir fonctionner en même temps que la pompe tel qu'un chlorateur ou un appareil de chauffage.

Câblage électrique

- Le moteur de la pompe doit être mis à la terre de manière sécurisée et adéquate en utilisant le tournevis vert fourni. Mettre à la terre avant d'essayer de connecter à une source d'alimentation électrique. Ne pas mettre à la terre à un tuyau d'alimentation en gaz.
- La dimension du câble doit être appropriée afin de réduire la chute de tension pendant le démarrage et le fonctionnement de la pompe. Voir le Tableau 2 pour les dimensions suggérées des câbles.
- Isoler soigneusement toutes les connexions afin d'empêcher la mise à la terre ou un court-circuit. Les extrémités tranchantes des bornes nécessitent une protection supplémentaire. Pour des raisons de sécurité et pour empêcher la pénétration de contaminants, replacer tous les couvercles de boîtes de dérivation et de connexions. Ne pas forcer les connexions à la boîte de dérivation.

REMARQUE Puisque la pompe est actionnée soit par le régulateur de la pompe ePump avec brise-vide (JEP-R), soit par un régulateur AquaLink® RS, soit par un module numérique de piscine AquaLink (PDA), soit par un AquaLink Z4, la pompe ne démarrera pas tant qu'elle n'est pas activée par l'un des régulateurs.

Installer le régulateur

AVERTISSEMENT

La pompe ePump de la série Jandy Pro avec brise-vide a été conçue pour être commandée par les systèmes de contrôle Jandy. Toute tentative de commander la pompe à l'aide du régulateur d'un autre fabricant pourrait engendrer une panne logicielle dans la pompe, le moteur ou d'autres composants du système. Cette panne peut engendrer des blessures graves (p. ex., échec du système brise-vide, décharge électrique) ou la mort.

La pompe ePump avec brise-vide peut être actionnée par l'un des quatre (4) régulateurs suivants : le régulateur de la pompe ePump avec brise-vide (JEP-R), le régulateur AquaLink RS (rév. O ou plus récente), le module AquaLink PDA (rév. 4.0 ou plus récente) ou le AquaLink Z4.

Pour installer le régulateur de la pompe ePump avec brise-vide :

REMARQUE Le régulateur de la pompe ePump avec brise-vide porte le numéro d'article JEP-R.

- Couper l'alimentation de la pompe ePump avec brise-vide en déconnectant les lignes haute tension ou en ouvrant un disjoncteur auquel l'alimentation de la pompe ePump avec brise-vide est raccordée.

Tableau 2. Câblage de dimension recommandée et protection contre la surintensité pour les pompes ePump

CÂBLAGE DE DIMENSION MINIMALE ET PROTECTION CONTRE LES SURINTENSITÉS DES POMPES DE LA SÉRIE ePUMP*		
Distance du sous-panneau		0 à 150 pieds (0 à 45 mètres)
Modèle	Inverser - ampérage des disjoncteurs à sélectivité chronométrique ou des fusibles de la branche Classe : CC, G, H, J, K, RK ou T 230 Vca	TENSION 208 à 230 Vca
JEP2.0SVRS	20 A max	Cuivre massif n° 12 minimum

*Suppose trois (3) conducteurs en cuivre dans un conduit enterré et une perte maximale de tension de 3 % dans le circuit branché. Le Code électrique national (NEC®) et les codes locaux doivent être respectés. Le tableau présente les recommandations de dimensions minimales de câble et de fusible de dérivation pour une installation type selon le NEC.

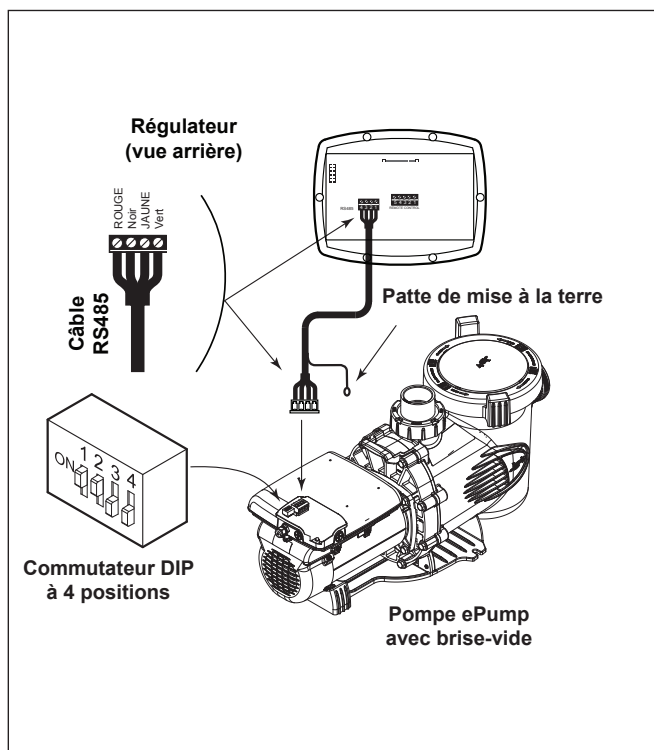


Figure 4. Brancher le régulateur pour pompe ePump avec brise-vide (JEP-R) à la pompe ePump

⚠ AVERTISSEMENT

DANGER DE CHOC ÉLECTRIQUE

Désactiver tous les interrupteurs et le disjoncteur principal dans le circuit électrique de l'ePump avant de commencer la procédure. L'omission d'être conforme peut provoquer un risque de choc, qui peut entraîner des blessures corporelles, voire la mort.

- Retirer le couvercle de la boîte de jonction de la pompe ePump avec brise-vide et alimenter le câble RS-485 dans le raccord.
- Débrancher le connecteur RS-485 de la pompe ePump avec brise-vide.
- Attacher les quatre (4) fils dans le câble RS-485 au connecteur RS-485. Faire correspondre les couleurs de fil avec les positions sur le connecteur : 1 - rouge, 2 - noir, 3 - jaune et 4 - vert. Voir la Figure 4.
- Insérer le connecteur RS-485 dans la pompe ePump avec brise-vide.
- Faire glisser les commutateurs DIP 1 et 2 vers le haut, de manière à ce qu'ils soient à la position ON, et les commutateurs DIP 3 et 4 vers le bas, de manière à ce qu'ils soient à la position OFF. Voir Figures 4.
- Raccorder l'autre extrémité du câble au régulateur JEP-R. Assortir les couleurs de fils avec les positions appropriées des connecteurs, comme présentées à l'étape 4.
- Réalimenter la pompe ePump avec brise-vide, puis vérifier le fonctionnement du régulateur (JEP-R).
- Se référer au manuel d'utilisation du régulateur de la pompe ePump avec brise-vide, H0412200, pour le fonctionnement de la pompe.

Pour installer un régulateur AquaLink® RS (Rév. O ou ultérieure), un AquaLink PDA (Rév 4.0 ou ultérieure) ou un AquaLink Z4 :

- Couper l'alimentation de la pompe ePump avec brise-vide en déconnectant les lignes haute tension ou en ouvrant un disjoncteur auquel l'alimentation de la pompe ePump avec brise-vide est raccordée.
- Retirer le couvercle de la boîte de jonction de la pompe ePump avec brise-vide et alimenter le câble RS-485 dans le raccord.

⚠ AVERTISSEMENT

DANGER DE CHOC ÉLECTRIQUE

Désactiver tous les interrupteurs et le disjoncteur principal dans le circuit électrique de l'ePump avant de commencer la procédure. L'omission d'être conforme peut provoquer un risque de choc, qui peut entraîner des blessures corporelles, voire la mort.

- Débrancher le connecteur RS-485 de la pompe ePump avec brise-vide et attacher les quatre (4) fils dans le câble RS-485 au connecteur RS-485. Assortir les couleurs de fils avec les positions des connecteurs comme suit : 1 - rouge, 2 - noir, 3 - jaune, et 4 - vert. Voir la Figure 5.
- Insérer le connecteur RS-485 dans la pompe ePump.
- Faire glisser les commutateurs DIP 1 et 2 vers le bas, de manière à ce qu'ils soient à la position OFF. Voir la Figure 5.

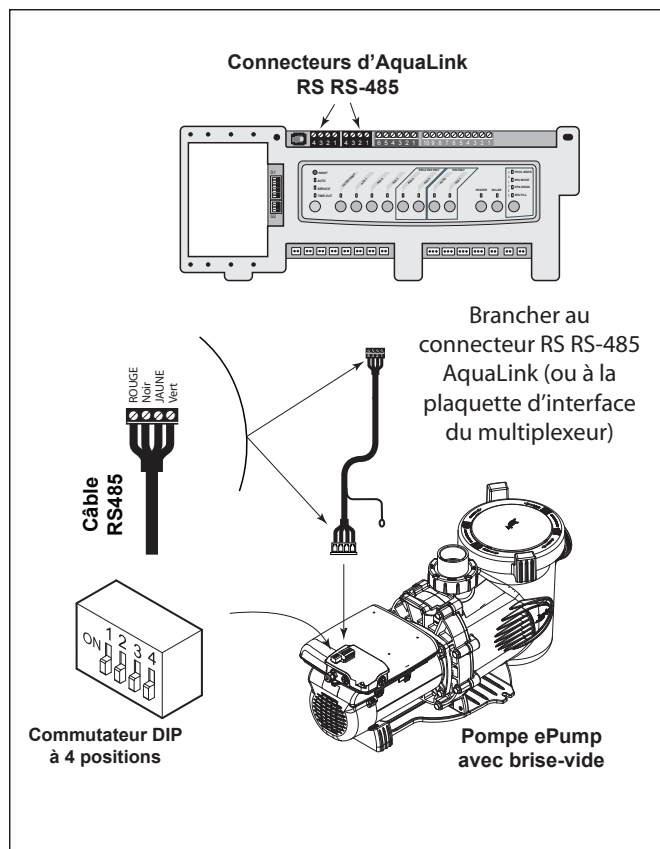


Figure 5. Brancher le régulateur AquaLink RS, AquaLink PDA ou AquaLink Z4 à la pompe ePump

6. Sélectionner les adresses désirées pour les pompes ePump avec brise-vide en réglant les commutateurs DIP 3 ou 4, tel qu'il est indiqué à la *Section 3.3, Réglages des commutateurs DIP de la pompe ePump avec brise-vide.*
7. Raccorder l'autre extrémité du câble à un connecteur RS-485 sur le régulateur AquaLink (ou carte d'interface du multiplexeur), en faisant correspondre les couleurs de fil avec les positions du connecteur, tel qu'il est indiqué à l'Étape 3.
8. Réalimenter la pompe ePump avec brise-vide, puis vérifier le fonctionnement du régulateur.
9. Refer to the appropriate control manual to operate the pump. Manuel d'utilisation du régulateur de la pompe ePump avec brise-vide (H0412200), Manuel d'utilisation du AquaLink® RS (6593), Manuel d'utilisation du AquaLink PDA (H0572300), ou Manuel d'utilisation du AquaLink Z4 (H0386600).

3.3 Réglages des commutateurs DIP de la pompe ePump avec brise-vide

Suivant les indications des figures 4 et 5, le commutateur DIP à 4 positions est situé à l'arrière de la pompe ePump avec brise-vide. Ce commutateur DIP remplit deux (2) fonctions : il choisit l'adresse de la pompe et détermine quel type de régulateur sera employé avec la pompe. Les tableaux ci-dessous montrent les configurations des commutateurs DIP.

Interrupteur 1	Interrupteur 2	Régulateur
OFF (désactivé)	OFF (désactivé)	AquaLink RS, AquaLink PDA ou AquaLink Z4
ON (activé)	ON (activé)	Régulateur de la pompe ePump avec brise-vide (JEP-R)

Interrupteur 3	Interrupteur 4	Adresse de la pompe
OFF (désactivé)	OFF (désactivé)	Pompe 1
ON (activé)	OFF (désactivé)	Pompe 2
OFF (désactivé)	ON (activé)	Pompe 3
ON (activé)	ON (activé)	Pompe 4

3.4 Utilisation du circuit auxiliaire (Aux)

La pompe ePump de la série Jandy Pro avec brise-vide est équipée d'une barre de raccordement qui offre à l'utilisateur l'accès au circuit auxiliaire intégré. Cette terminaison sèche et généralement ouverte est activée dans certaines conditions de fonctionnement et est principalement destinée à être utilisée pour commander des appareils externes qui exigent un débit d'eau dans le système avant de pouvoir fonctionner correctement, comme un chauffe-eau, une pompe d'appoint, un chlorateur à base de sel, etc.

Voir les Figures 6, 7 et 8 pour connaître l'emplacement du compartiment. Un couvercle d'accès retenu par une vis cruciforme doit d'abord être retiré.

Exigences du raccord au circuit auxiliaire

⚠ AVERTISSEMENT

DANGER DE CHOC ÉLECTRIQUE

En raison du risque potentiel d'incendie, de choc électrique ou de blessures, les pompes Jandy doivent être installées en conformité avec le Code national de l'électricité (NEC®), tous les codes locaux d'électricité et de sécurité et la Loi sur la santé et la sécurité au travail (OSHA). Des copies de la NEC peuvent être commandées auprès de l'Association nationale de protection, 470 Atlantic Ave., Boston, MA 02210, ou auprès de votre organisme local d'inspection gouvernemental. Au Canada, les pompes Jandy doivent être installées en conformité avec le Code canadien de l'électricité (CEC).

Remarque : Les fiches du circuit auxiliaire ont un courant nominal de 230 V/11 A (moy. quadratique). S'assurer que les exigences de l'appareil relié au circuit auxiliaire **ne dépassent pas ces valeurs.**

Schéma de câblage pour le circuit auxiliaire 230 V, source d'alimentation partagée

Remarque : Dans cette configuration, il est important de s'assurer que la source d'alimentation partagée est suffisante pour alimenter la pompe et le matériel auxiliaire.

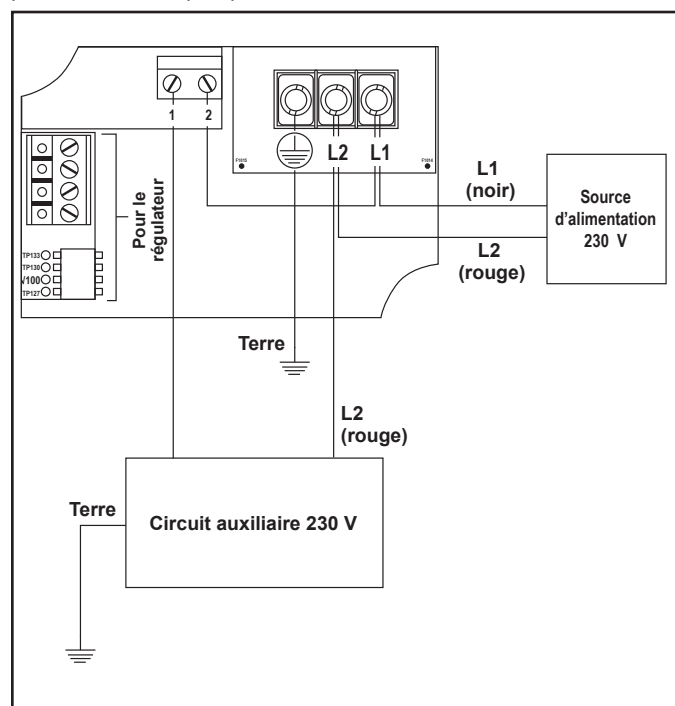


Figure 6. Schéma de câblage du circuit auxiliaire 230 V et de la source d'alimentation partagée

Schéma de câblage pour circuit auxiliaire 115 V, sources d'alimentation distinctes

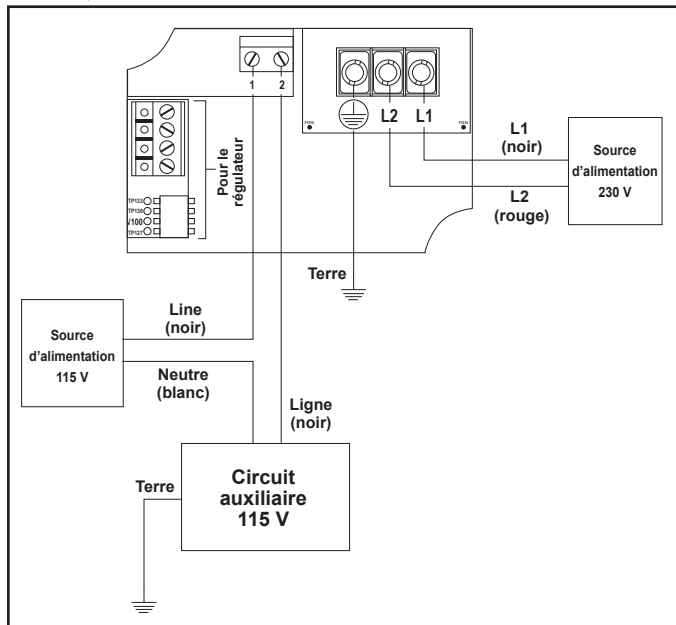


Figure 7. Schéma de câblage pour circuit auxiliaire 115 V, sources d'alimentation distinctes

Schéma de câblage pour circuit auxiliaire 230 V, sources d'alimentation distinctes

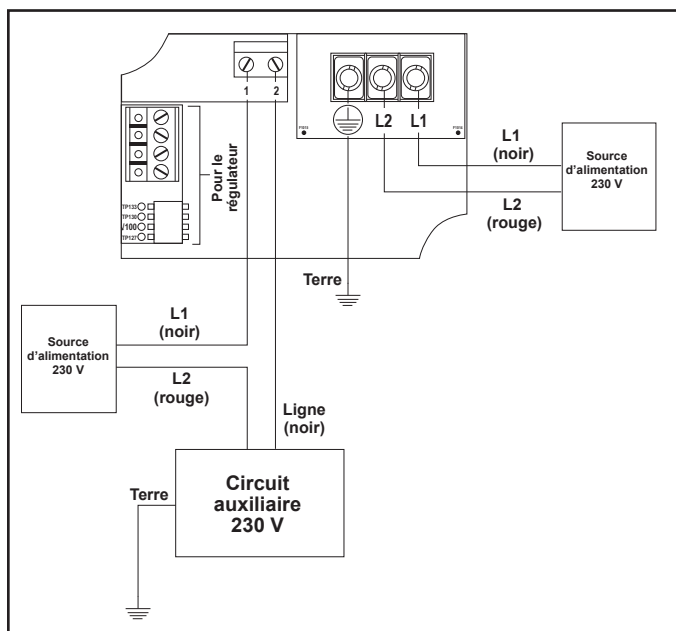


Figure 8. Schéma de câblage pour circuit auxiliaire 230 V, sources d'alimentation distinctes

Caractéristiques de fonctionnement du circuit auxiliaire

L'activation de la fiche du circuit auxiliaire dépend de la vitesse et fonctionne ainsi :

Fermeture du circuit

À partir de la position d'arrêt, il faut trois minutes avant que le circuit auxiliaire soit fermé si le moteur atteint une vitesse d'au moins 1 725 tr/min et la maintient.

À partir d'un régime de moins de 1 725 tr/min, un délai de 5 secondes doit s'écouler avant que le circuit auxiliaire soit fermé une fois que le moteur atteint une vitesse d'au moins 1 725 tr/min et la maintient.

Ouverture du circuit

Si la pompe a une vitesse inférieure à 1 725 tr/min, le circuit auxiliaire est fermé. L'ouverture du circuit est toujours immédiate.

3.5 Essai de pression

Toutes les pompes ePump de la série Jandy Pro avec brise-vide viennent avec un joint circulaire jetable supplémentaire pour vérifier la pression. C'est le joint torique bleu d'essai de pression. Voir Figures 9 et 10.

MISE EN GARDE

Ne pas ouvrir le couvercle de la pompe avant l'essai de pression, parce que le joint torique bleu d'essai de pression peut tomber. Si cela survient, on doit le remettre sur le couvercle.

Si le couvercle de la pompe n'est pas ouvert, passer à la Section 3.6, *Conduite d'un essai de pression*.

Remplacer le joint torique bleu pour essais de pression si nécessaire

Si le couvercle de la pompe est ouvert avant l'essai de pression, le joint torique bleu se séparera probablement. Si cela se produit, il doit être installé à nouveau sur le couvercle avant de réaliser l'essai de pression.

Il y a un risque de dommage au joint torique bleu pendant la réinstallation. Si le joint est endommagé lors de sa réinstallation, il faut commander un nouveau joint torique bleu d'essai de pression avant d'effectuer l'essai de pression.

Ces instructions décrivent les procédures appropriées pour remplacer, utiliser et éliminer le joint torique bleu.

Ces instructions doivent être scrupuleusement respectées. Prendre soin de lire les directives d'un bout à l'autre avant de commencer la procédure.

Retirer le couvercle de la pompe

1. S'assurer que la pompe est arrêtée.
2. S'assurer que le commutateur au disjoncteur qui actionne le moteur de la pompe est arrêté.
3. S'assurer que tous les robinets d'isolement nécessaires sont fermés pour empêcher l'eau de la piscine d'atteindre la pompe.
4. En suivant les inscriptions sur l'anneau de fermeture, tourner l'anneau selon le sens antihoraire jusqu'à ce que le repère « START » s'aligne sur les ports.
5. Enlever soigneusement le couvercle avec l'anneau de fermeture.

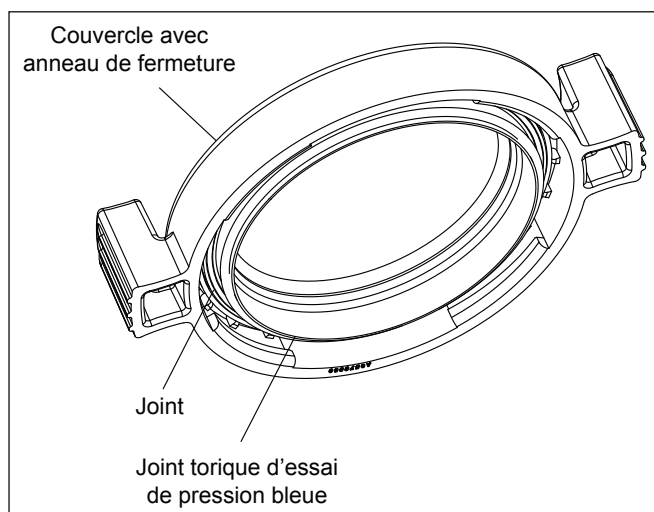


Figure 9. Joint torique bleu pour l'essai de pression de l'assemblage du couvercle

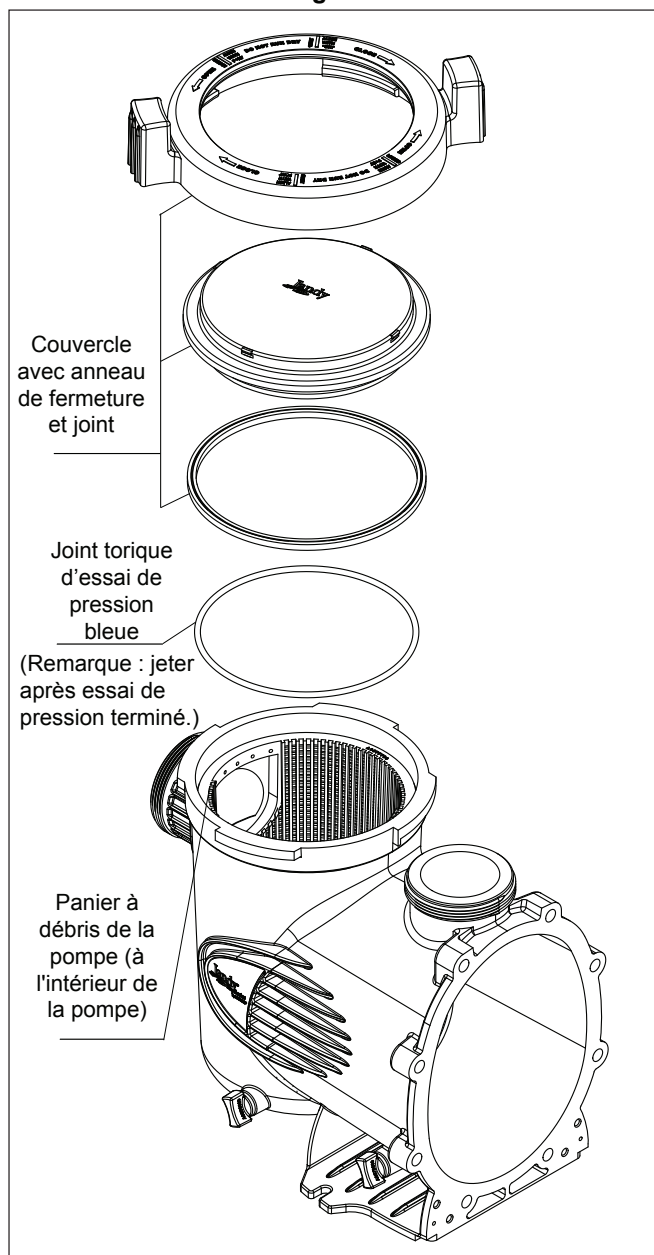


Figure 10. Vue éclatée de la pompe

⚠ AVERTISSEMENT

DANGER DE CHOC ÉLECTRIQUE

Arrêter la pompe et le disjoncteur principal dans le circuit électrique de la pompe avant de commencer la procédure. L'omission d'être conforme peut provoquer un risque de choc, qui peut entraîner des blessures corporelles, voire la mort.

⚠ AVERTISSEMENT

DANGER DE CHOC ÉLECTRIQUE

En raison du risque potentiel d'incendie, de choc électrique ou de blessures, les pompes Jandy doivent être installées en conformité avec le Code national de l'électricité (NEC®), tous les codes locaux d'électricité et de sécurité et la Loi sur la santé et la sécurité au travail (OSHA). Des copies du Code national de l'électricité peuvent être commandées auprès de la « National Fire Protection Association », 470 Atlantic Ave., Boston, MA 02210, ou de l'agence locale d'inspection gouvernementale.

Au Canada, les pompes Jandy doivent être installées en conformité avec le Code canadien de l'électricité (CEC).

Remplacer le joint torique bleu

1. Tourner le couvercle avec l'anneau de fermeture inversé et le placer sur une surface stable.
2. Placer le joint torique bleu sur la marche à 6 mm ($\frac{1}{4}$ po) du fond du couvercle. Voir figure 11.
3. S'assurer que le joint torique est correctement posé. Cela aide à « placer » le joint torique sur la marche plutôt que le « rouler » dessus. Cela l'empêche de tomber.

Remarque Le joint torique bleu se trouve à environ 6 mm ($\frac{1}{4}$ po) de distance du joint. Voir figure 11.

4. Installer soigneusement le couvercle, en s'assurant que le joint torique bleu d'essai de pression est bien posé dans le logement sans « coller » ou « rouler ». Utiliser une solution savonneuse si nécessaire pour lubrifier.
5. Suivant les inscriptions sur l'anneau de blocage, aligner les marquages « START » (démarrage) avec les ports, puis tourner selon le sens horaire jusqu'à ce que les marquages « LOCKED » (verrouillés) soient alignés sur les ports. *Ne pas serrer au-delà de l'inscription « LOCKED ».*

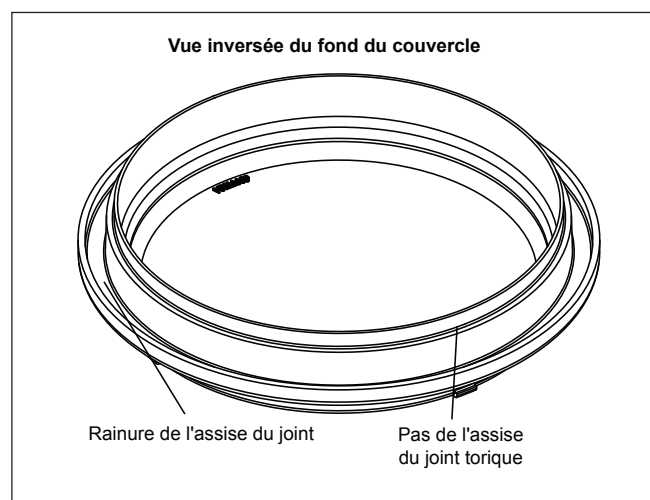


Figure 11. Positionnement du joint torique bleu pour l'essai de pression

3.6 Conduite d'un essai de pression

⚠ AVERTISSEMENT

Lors de l'essai de pression d'un système à l'eau, de l'air est souvent piégé dans le système pendant le processus de remplissage. Cet air se comprime quand le système est sous pression. Si le système s'avère défaillant, cet air piégé peut propulser des débris à haute vitesse et causer des blessures. Aucun effort ne doit être ménagé pour enlever l'air piégé, y compris l'ouverture du robinet de purge du filtre et le desserrage du couvercle du panier-filtre pendant le remplissage de la pompe.

⚠ AVERTISSEMENT

Le piégeage d'air dans le système peut provoquer une ouverture explosive du couvercle du filtre pouvant causer la mort, de graves blessures personnelles ou des dommages matériels. S'assurer que l'air est purgé de façon appropriée du système avant l'utilisation. **NE PAS UTILISER DE L'AIR COMPRIMÉ POUR FAIRE L'ESSAI DE PRESSION OU VÉRIFIER S'IL Y A DES FUITES.**

⚠ AVERTISSEMENT

Ne pas faire d'essai de pression au-delà de 240 kPa (35 psi). L'essai de pression doit être fait par un professionnel qualifié en piscine. L'équipement de circulation qui n'a pas fait l'objet d'essais de façon appropriée pourra défaillir, ce qui pourrait entraîner des blessures graves ou des dommages matériels.

⚠ AVERTISSEMENT

Lors de l'essai de pression d'un système à l'eau, il est très important de s'assurer que le couvercle du panier-filtre de la pompe est complètement fixé.

1. Remplir le système d'eau en faisant attention de bien expulser l'air emprisonné.
2. Pressuriser le système d'eau à **241 kPa (35 psi)** au maximum.
3. Fermer le robinet pour emprisonner l'eau sous pression dans le système.
4. Observer le système pour la présence de fuites ou de chutes de pression.
5. S'il y a des fuites au couvercle, répéter les étapes 1 à 3. Pour le soutien technique, communiquer avec le service technique Zodiac® au 1 800 822-7933.
6. Après la conduite de l'essai, jeter le joint torique bleu pour l'essai de pression.

3.7 Essai du système brise-vide

Il est impératif d'effectuer un essai de fonctionnement du système brise-vide après son installation et chaque mois par la suite.

1. À l'aide d'un clapet-bille, d'une vanne papillon ou d'une vanne à lunette installée à moins de 0,6 m (2 pi) en amont de la pompe, simuler un piégeage en arrêtant le débit de l'eau. Une planche d'essai peut également être employée pour recouvrir la bouche d'aspiration et simuler un piégeage.

2. Quand le piégeage est détecté, la pompe s'arrêtera, ce qui éliminera le vide généré par la pompe.
3. Une fois la pompe éteinte, rouvrir la conduite d'aération ou retirer l'obstruction. La pompe tentera de redémarrer après une période d'environ quatre (4) minutes sous tension.
4. Effectuer le test trois (3) fois afin de vérifier que les réglages sont adéquats et que le système fonctionne.

Section 4. Fonctionnement

4.1 Démarrage

⚠ AVERTISSEMENT

La fonction brise-vide de cette pompe demeure inactive pendant les dix (10) premières minutes de fonctionnement. Pendant cette période, la pompe ne surveille pas si les bouches d'aspiration ou de refoulement sont bloquées. Interdire aux baigneurs d'accéder à la piscine quand le système brise-vide est inactif, notamment dans les dix (10) minutes qui suivent la mise sous tension.

MISE EN GARDE

Ne jamais faire fonctionner la pompe sans eau. Faire fonctionner la pompe « à sec », quelle que soit la durée, peut causer d'importants dommages à la pompe et au moteur et annuler la garantie.

S'il s'agit d'une nouvelle installation de piscine, s'assurer que toute la tuyauterie est dépourvue de débris de construction et que l'essai de pression a été effectué correctement. L'installation du filtre devrait être vérifiée, en s'assurant que toutes les connexions et les attaches sont sécurisées conformément aux recommandations du fabricant.

⚠ AVERTISSEMENT

Pour éviter tout risque de dommage matériel, de blessure grave ou de mort, vérifier que l'alimentation est hors tension avant de commencer cette procédure.

1. Libérer toute la pression du système et ouvrir le détendeur de pression du filtre.
2. Selon l'emplacement de la pompe, effectuer l'une des procédures suivantes :
 - Si la pompe est située au-dessous du niveau d'eau de la piscine, ouvrir le clapet de décharge du filtre pour amorcer la pompe avec de l'eau.
 - Si la pompe est située au-dessus du niveau de l'eau de la piscine, retirer le couvercle et remplir le panier-filtre avec de l'eau avant de démarrer la pompe.
3. Avant de replacer le couvercle, vérifier qu'il n'y a pas de débris autour du joint torique d'étanchéité du couvercle. Les débris autour du joint torique du couvercle causeront une fuite d'air dans le système, et l'amorçage de la pompe se fera difficilement.

REMARQUE Ne pas utiliser de lubrifiants ou de colles à base de pétrole sur le joint torique du couvercle.

4. **Serrer à la main** le couvercle pour une fermeture hermétique. Ne pas utiliser d'outils pour serrer le couvercle : **serrer à la main** seulement. S'assurer que tous les robinets sont ouverts et que les raccords-unions sont étanches.
5. Rétablir l'alimentation vers la pompe. Puis démarrer la pompe en suivant les instructions du manuel approprié : Manuel d'utilisation du régulateur de la pompe ePump avec brise-vide, H0412200, Manuel d'utilisation du régulateur AquaLink® RS, 6593, Manuel d'utilisation du AquaLink PDA, H0572300, ou Manuel d'utilisation du AquaLink Z4, H0386600.
6. Une fois que tout l'air aura été purgé du filtre, fermer le clapet de décharge.
7. La pompe devrait s'amorcer. Le temps d'amorçage dépendra de l'élévation et de la longueur des tuyaux utilisés pour le tuyau d'alimentation par aspiration. Voir les conseils d'installation à la *Section 3 pour une bonne élévation et une bonne taille de tuyau*.
8. Si la pompe ne s'amorce pas, bien que toutes les instructions aient été suivies, vérifier s'il n'y a pas une fuite d'aspiration. S'il n'y a pas de fuite, répéter les étapes 2 à 7.
9. Pour de l'assistance technique, communiquer avec le service technique Zodiac® au +1 (800) 822-7933.

4.2 Déclenchement du brise-vide

La fonctionnalité brise-vide de la pompe à vitesse variable détecte lorsqu'une personne est coincée en surveillant la charge de la pompe par voie électrique. Si un piégeage est détecté, le moteur s'éteint, ce qui élimine le vide généré par la pompe. Quand le piégeage est détecté, le moteur se met en mode de panne et y demeure pendant 4 minutes. Au bout de 4 minutes, le mode de panne s'interrompt automatiquement et le moteur est prêt à repartir.

Section 5. Service et entretien

5.1 Entretien de routine

Inspecter le panier-filtre de la pompe pour trouver des débris en regardant à travers le couvercle clair de la pompe. Enlever tous les débris parce qu'au fur et à mesure de leur accumulation, ils commenceront à bloquer l'écoulement de l'eau à travers la pompe. Maintenir le panier-filtre propre pour améliorer le fonctionnement de la pompe.

1. Couper l'alimentation électrique de la pompe. Si la pompe est située en dessous du niveau de l'eau, fermer les clapets d'isolement des côtés aspiration et refoulement de la pompe afin d'empêcher le reflux de l'eau.
2. Tourner l'anneau de fermeture du couvercle selon le sens antihoraire jusqu'à ce que le repère « START » s'aligne sur les ports. Enlever soigneusement le couvercle. (On peut utiliser un outil comme levier.)

MISE EN GARDE

Un panier-filtre mal aligné empêchera le bon placement du couvercle, permettant une fuite d'air qui pourrait endommager la pompe.

3. Soulever le panier-filtre hors de la pompe.
4. Retirer les débris et nettoyer soigneusement le panier-filtre, en s'assurant que tous les trous sont dégagés. En se servant d'un tuyau d'arrosage de jardin, asperger le panier-filtre de l'extérieur pour aider au dégagement des trous. Retirer tout débris résiduel à la main.
5. Remettre le panier-filtre en place dans la pompe en alignant l'ouverture avec le tuyau d'aspiration. Si l'alignement est bien fait, le panier-filtre tombera facilement en place. **Ne pas forcer en place.**
6. Retirer le joint du couvercle et les débris autour du siège du joint du couvercle, car cela peut laisser infiltrer l'air dans le système. Nettoyer le couvercle d'étanchéité et le placer sur le couvercle.
7. Replacer le couvercle avec la bague de verrouillage. **Serrer le couvercle** à la main pour une fermeture hermétique. Ne pas utiliser d'outils pour **serrer le couvercle** : serrer à la main seulement.
8. Vérifier que tous les robinets ont été replacés à la position correcte pour l'utilisation normale.
9. Ouvrir le détendeur de pression sur le filtre et s'assurer qu'il est propre et prêt à fonctionner.
10. Rétablir l'alimentation électrique de la pompe. Dès que tout l'air est expulsé du filtre, fermer le détendeur de pression.

5.2 Hivernage de la pompe

MISE EN GARDE

La pompe **doit** être protégée lorsque des températures glaciales sont prévues. **Laisser la pompe geler l'endommagera gravement et annulera la garantie.**

MISE EN GARDE

Ne pas utiliser d'antigel dans les systèmes de piscine, de spa ou de jacuzzi! Les antigels sont hautement toxiques et peuvent endommager le système de circulation. La seule exception est le propylène glycol. Pour de l'information supplémentaire, se référer à votre fournisseur local de piscine ou de spa ou communiquer avec une société agréée en services de piscine.

1. Drainer **toute** l'eau de la pompe, de l'équipement du système et de la tuyauterie.
2. Retirer les deux (2) bouchons de vidange. Garder les bouchons de vidange en lieu sûr et les réinstaller quand la saison froide est passée. **Ne pas égarer les joints toriques.**

3. Garder le moteur sec et couvert. Ne pas recouvrir la pompe avec du plastique, parce que cela peut entraîner de la condensation qui l'endommagera.

REMARQUE Zodiac Pool Systems, Inc. recommande qu'un technicien qualifié ou un électricien déconnecte de façon appropriée le câblage électrique de la boîte de commutation ou de jonction. Dès que l'alimentation est coupée, desserrer les deux (2) raccords-unions et ranger la pompe à l'intérieur. Pour des raisons de sécurité et pour empêcher la pénétration de contaminants, replacer tous les couvercles de boîtes de dérivations et de connexions.

4. Lorsque le système est rouvert pour le fonctionnement, un technicien qualifié ou un électricien doit s'assurer que toutes les canalisations, les robinets, le câblage et l'équipement sont conformes aux recommandations du fabricant. Faire particulièrement attention au filtre et aux connexions électriques. Inspecter tous les raccords et couvercles de bouche d'aspiration et s'assurer qu'ils ne sont pas brisés, qu'ils sont correctement installés et fixés.
5. La pompe doit être amorcée avant le démarrage. Se référer à la *section 4.1, Démarrage*.
6. Le fonctionnement du dispositif brise-vide doit être mis à l'essai. Voir les instructions à la section 3.7.

Section 6. Dépannage et réparation

Pour commander ou acheter des pièces pour les pompes Jandy, prière de communiquer avec votre concessionnaire Jandy le plus près. Si le concessionnaire Jandy ne peut répondre aux besoins, prière de communiquer avec le service technique Zodiac au 1 800 822-7933 ou envoyer un courriel à productsupport@zodiac.com.

6.1 Entretien par un technicien de service

AVERTISSEMENT

Cette pompe doit être réparée par un technicien professionnel qualifié dans l'installation de piscine/spa. Les procédures suivantes doivent être scrupuleusement suivies. Une installation ou utilisation incorrecte peut causer de dangereux risques électriques pouvant provoquer le passage de courants haute tension dans le système électrique. Cela peut causer des dommages matériels, des blessures graves ou la mort. Une installation ou une utilisation inappropriée annuleront la garantie.

AVERTISSEMENT

Avant de réaliser l'entretien de la pompe, couper les disjoncteurs au niveau de l'alimentation. Une blessure grave ou la mort peut survenir si la pompe démarre pendant que les mains se trouvent à l'intérieur.

Turbine bloquée

1. Éteindre la pompe. Fermer le disjoncteur du moteur de la pompe.
2. Retirer le couvercle et le panier-filtre.
3. Regarder à l'intérieur de la pompe pour la présence de débris. Éliminer tout débris trouvé à l'intérieur.
4. Replacer le panier-filtre et le couvercle.
5. Ouvrir le disjoncteur du moteur de la pompe.
6. Démarrer la pompe et observer si le problème est résolu.
7. Si la turbine est encore bloquée par les débris et qu'il ne soit pas possible de les enlever en procédant de l'étape 2 à l'étape 4, la pompe devra être démontée pour accéder aux orifices d'entrée et de sortie de la turbine.

6.2 Dépannage

Symptôme	Cause/Solution possible
Le système de circulation ou de nettoyage ne fonctionne pas bien.	<p>Vérifier que les paniers d'écumoirs, les paniers-filtres et autres tamis sont propres. Nettoyer au besoin.</p> <p>Vérifier le filtre et nettoyer au besoin.</p> <p>Vérifier les positions et les réglages des vannes. Ajuster au besoin.</p> <p>REMARQUE De multiples pièces d'équipement fonctionnant en même temps (par exemple, les cascades, les courants de spa, et les retours de surface) affecteront le bon fonctionnement du système de nettoyage.</p> <p>Vérifier le manuel de nettoyage du système pour s'assurer que le système est réglé conformément aux recommandations du fabricant.</p>
Bulles présentes dans le panier-filtre de la pompe.	<p>Il y a de l'air dans le système. Vérifier le niveau d'eau de la piscine ou du spa pour s'assurer qu'il est au bon niveau et que l'air n'est pas tiré dans la canalisation d'aspiration. Si l'eau est à un niveau normal, couper la pompe. Tourner la bague de verrouillage dans le sens antihoraire jusqu'à ce que le mot « START » (mise en marche) soit aligné sur les ports. Enlever le couvercle et vérifier qu'il n'y a pas de débris autour du siège d'étanchéité du couvercle ou que l'installation de joint d'étanchéité du couvercle est adéquate car aucun de ces deux inconvénients causera des fuites d'air dans le système. Nettoyer le couvercle d'étanchéité et le remplacer sur le couvercle. Remplacer le couvercle du boîtier de la pompe. Aligner le repère « START » sur les ports et tourner l'anneau de fermeture selon le sens horaire jusqu'à ce que le repère « LOCKED » s'aligne sur les ports. Serrer le couvercle à la main pour une fermeture hermétique. Ne pas utiliser d'outils pour serrer le couvercle. Redémarrer la pompe.</p>
Les fuites d'air sont encore présentes.	<p>Vérifier le raccord-union du côté de la tuyauterie d'aspiration. Pendant que la pompe fonctionne, essayer de serrer le raccord-union. Si cela n'arrête pas la fuite d'air, couper l'alimentation de la pompe. Desserrer les deux raccords-unions et glisser la pompe pour l'éloigner de son emplacement. Retirer, nettoyer et reposer les deux joints toriques de raccord.</p> <p>Repositionner la pompe près de la tuyauterie et fixer solidement les boulons de raccord-union à la pompe. À l'aide de raccords-unions et de joints toriques propres, le serrage des raccords-unions devrait sceller le tout. Si les raccords-unions ne scellent pas, serrer délicatement avec une grande paire de pince multiprise.</p> <p>Ne serrer pas plus qu'il ne faut.</p>
Il n'y a pas d'air dans le système, mais la pression est encore faible.	<p>Il est possible que des débris soient coincés dans la turbine de la pompe. La turbine de la pompe déplace l'eau, et les pales de la turbine peuvent être bloquées par des débris. Voir la <i>Section 6.2, Maintenance par un technicien en entretien et réparation.</i></p>
Il n'y a pas de débris bloquant la turbine et la pression est toujours faible.	<p>La turbine de la pompe et le diffuseur présentent des signes d'usure normale. Faire vérifier et remplacer au besoin la turbine et le diffuseur par un technicien d'entretien agréé.</p> <p>Si la pompe fait partie d'une installation relativement nouvelle, cela pourrait être un problème électrique. Communiquer avec un technicien en entretien et en réparation agréé. Faire vérifier par un technicien que des connexions électriques ne soient pas lâches et qu'il examine la tension du moteur de la pompe en fonctionnement. La tension doit être celle indiquée sur la plaque d'identification du moteur, à 10 % près. Si la tension n'est pas à 10 % près, communiquer avec un électricien agréé ou le fournisseur local en électricité.</p> <p>Le joint d'étanchéité de la pompe a une fuite d'air. Faire remplacer le joint d'étanchéité par un technicien en entretien et en réparation agréé.</p>
La pompe a une fuite d'eau entre le moteur et le corps de la pompe.	<p>Elle est causée par une garniture mécanique endommagée ou défectueuse. C'est un processus de remplacement en deux étapes. La garniture mécanique au complet doit être remplacée à l'aide de l'ensemble de sceaux mécaniques de rechange. (R0479400)</p>
La pompe s'échauffe et s'éteint périodiquement.	<p>S'assurer qu'il y a suffisamment de place autour du moteur pour faire circuler l'air et garder le moteur froid. Faire vérifier par un technicien agréé que des connexions ne soient pas lâches et qu'il examine la tension du moteur de la pompe en fonctionnement. La tension doit être celle indiquée sur la plaque d'identification du moteur, à 10 % près. Si la tension n'est pas à 10 % près, communiquer avec un électricien agréé ou le fournisseur local en électricité.</p>

Symptôme	Cause/Solution possible
La pompe ne démarrera pas.	Aucun courant à la pompe. S'assurer que la pompe est correctement reliée à la tension. Voir la <i>Section 3.2, Installation électrique, dans ce manuel.</i>
	Câblage de base tension erroné. Vérifier le câblage de basse tension entre la pompe et le régulateur. Effectuer les corrections si nécessaire. Voir la <i>Section 3.2, Installation électrique, dans ce manuel.</i>
	La configuration d'adresse de la pompe est inexacte. S'assurer que les commutateurs DIP 3 et 4 de la pompe ePump avec brise-vide sont correctement placés pour l'installation. Les deux devraient être à la position OFF pour une utilisation avec le régulateur de la pompe ePump avec brise-vide JEP-R ou réglés la bonne adresse lorsqu'ils sont raccordés à un régulateur AquaLink® RS, un AquaLink PDA ou un AquaLink Z4. Voir la <i>Section 3.3, Configuration du commutateur DIP de la pompe ePump avec brise-vide, dans ce manuel.</i>
	La condition de panne existe. Regarder le message de défaut sur le régulateur et corriger le défaut avant de continuer. En cas d'incertitude quant à la marche à suivre pour résoudre une panne, communiquer avec le soutien technique Zodiac® au 1 800 822-7933.
L'écran ACL du régulateur de la pompe ePump avec brise-vide n'affiche aucune information	Configuration incorrecte du commutateur DIP. S'assurer que les deux commutateurs DIP 1 et 2 de la pompe ePump sont allumés. Voir la <i>Section 3.3, Configuration du commutateur DIP de la pompe ePump avec brise-vide, dans ce manuel.</i>
	Câblage de base tension erroné. Vérifier le câblage de basse tension entre la pompe et le régulateur. Effectuer les corrections si nécessaire. Voir la <i>Section 3.2, Installation électrique, dans ce manuel.</i>
Le régulateur affiche « La pompe n'est pas branchée ».	Câblage de base tension erroné. Vérifier le câblage de basse tension entre la pompe et le régulateur. Effectuer les corrections si nécessaire. Voir la <i>Section 3.2, Installation électrique, dans ce manuel.</i>
	La configuration d'adresse de la pompe est inexacte. S'assurer que les commutateurs DIP 3 et 4 de la pompe ePump sont correctement configurés pour l'installation. Les deux devraient être à la position OFF pour une utilisation avec le régulateur de la pompe ePump avec brise-vide ou réglés à la bonne adresse lorsqu'ils sont raccordés à un régulateur AquaLink® RS, un AquaLink PDA ou un AquaLink Z4. Voir la <i>Section 3.3, Configuration du commutateur DIP de la pompe ePump avec brise-vide, dans ce manuel.</i>
Le message de défaut apparaît sur l'affichage du régulateur.	La condition de panne existe. Regarder le message de défaut sur le régulateur et corriger le défaut avant de continuer. En cas d'incertitude quant à la marche à suivre pour résoudre une panne, communiquer avec le soutien technique Zodiac au 1 800 822-7933.
Fermeture de la pompe	En fonction de la piscine, il est possible que le brise-vide interrompe le fonctionnement de la pompe ePump avec brise-vide Jandy pour des raisons autres qu'un piégeage. Voici quelques exemples de causes possibles : <ol style="list-style-type: none"> 1. Entraînement d'air dans la conduite d'aspiration, même pendant quelques secondes. L'entraînement d'air peut avoir lieu lorsqu'un aspirateur automatique se retrouve hors de l'eau, si un tourbillon se forme dans une écumoire, ou toute autre condition permettant à de l'air de s'introduire dans la conduite d'aspiration. 2. Raccordement ou débranchement d'un tuyau d'aspirateur pendant que la pompe est en marche. Si cela arrive, raccorder le tuyau d'aspirateur de piscine quand la pompe est éteinte. 3. La pompe ne parvient pas à atteindre le débit normal pendant l'amorçage. Au démarrage, si la pompe ne détecte pas un débit normal, la pompe demeurera en mode d'amorçage pendant environ 10 minutes, puis se mettra hors tension. La pompe restera hors tension pendant environ 10 minutes pour ensuite redémarrer. Pendant la phase d'amorçage, la fonctionnalité brise-vide est désactivée. Une fois que la pompe détecte des conditions normales de débit, la fonctionnalité brise-vide est activée.

Section 7. Caractéristiques du produit et données techniques

7.1 Liste et vue éclatée des pièces de rechange

Pour commander ou acheter des pièces pour les pompes de la série Jandy Pro, prière de communiquer avec votre concessionnaire Jandy le plus proche. On peut également communiquer avec le soutien technique Zodiac® au 1-800-822-7933.

Touche No	Description	Pièce No
1	Moteur avec entraînement, pompe série ePump avec brise-vide	R0562205
2	Plaque arrière, pompes SHP, PHP/MHP/JEP	R0445200
3	Turbine, assemblage, SHP, PHP, JEP	R0445305
4	Diffuseur avec joint torique et matériel	R0445400
5	Joint mécanique (carbone et céramique)	R0479400
6	Corps, Pompe	R0445601
7	Ensemble pied de fixation de moteur, SHP	R0445700
8	Anneau de fermeture (avec couvercle et joint torique)	R0445800
9	Panier de filtre	R0445900
10	Prise, Canalisation (ensemble de deux)	R0446000
11	Pièce d'arrière de 50 mm x 63 mm po (2 po par 2½ po), avec écrou d'accouplement et joint torique (ensemble de deux)	R0446101
12	Joint, Couvercle	R0446200
13	Joint torique d'essai de pression bleue	R0479000
14	Joint torique, plaque arrière	R0446300
15	Joint torique, pièce arrière (ensemble de deux)	R0446400
16	Ensemble matériel du diffuseur et de la turbine	R0446500
17	Matériel de la plaque arrière avec ensemble huit boulons et rondelles	R0446600
18	Matériel du moteur avec ensemble quatre boulons et rondelles	R0446700
19	Vis, pied de fixation du moteur (ensemble de deux)	R0446800
20	Couvercle, ventilateur, avec matériel, série JEP (Gén. II)	R0562400
21	Connecteur, Variateur de vitesse, ePump (connecteur 4 broches) (non illustré)	R0660900
22	Raccord de cloison du câble de données	R0501100
23	Vis, Coffret électrique (ensemble de 2)	R0562600
24	Vis avec joint torique, auto-obturant	R0515400
25	Câble, RS485, ensemble de remplacement	R0535100

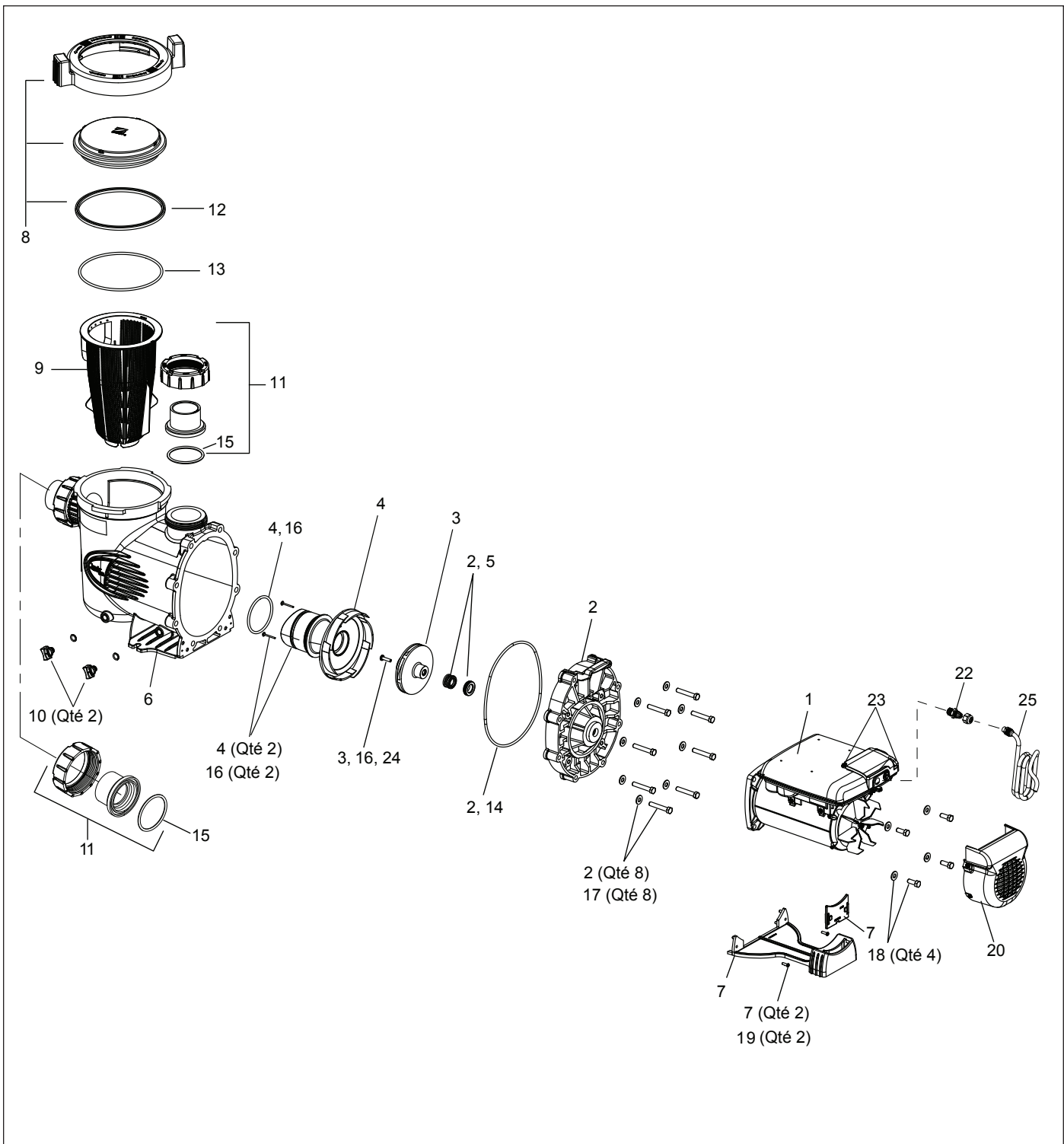
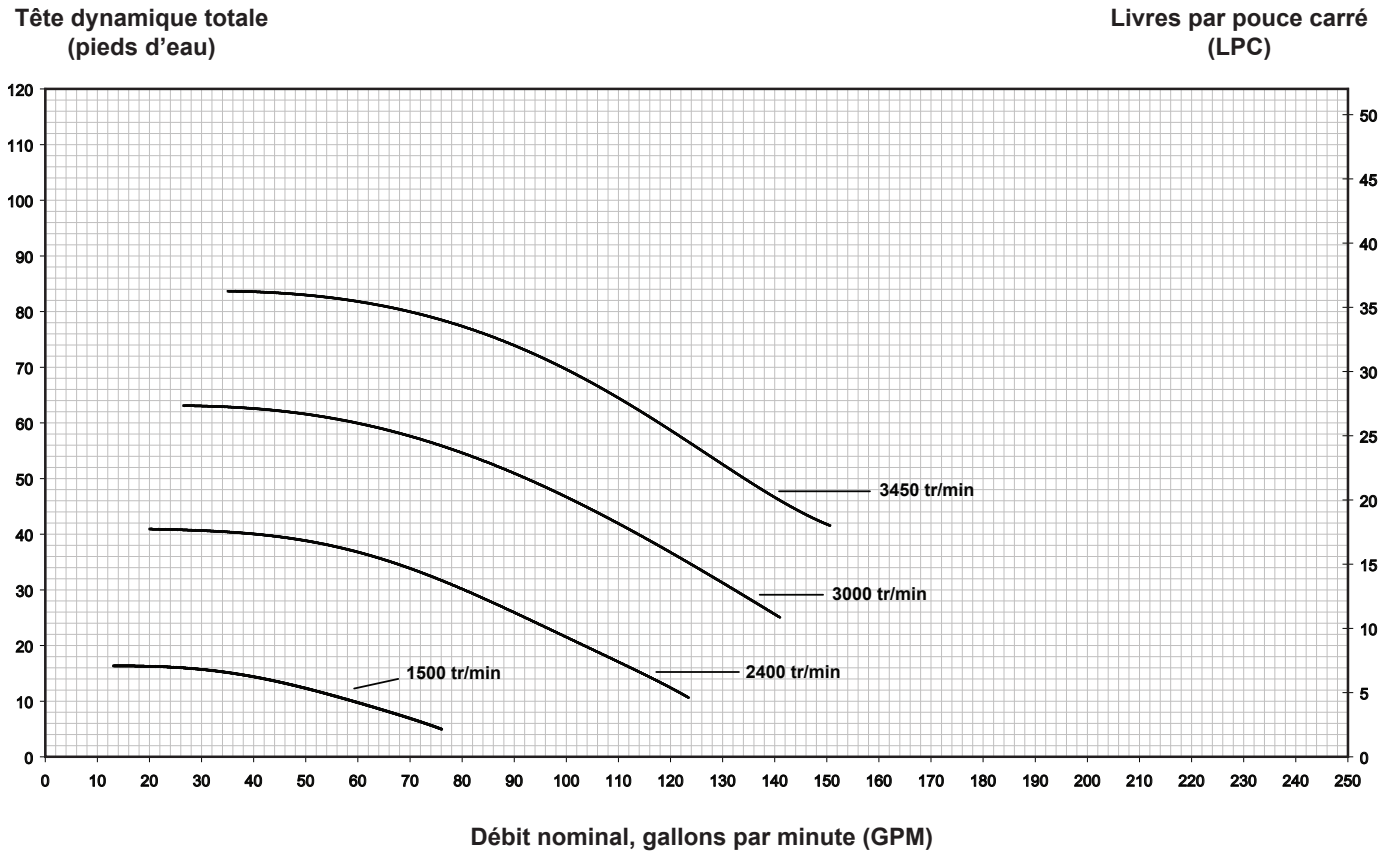


Figure 9. Vue éclatée de la pompe ePump avec brise-vide

7.2 Courbes de performance

Rendement de la pompe ePump avec brise-vide

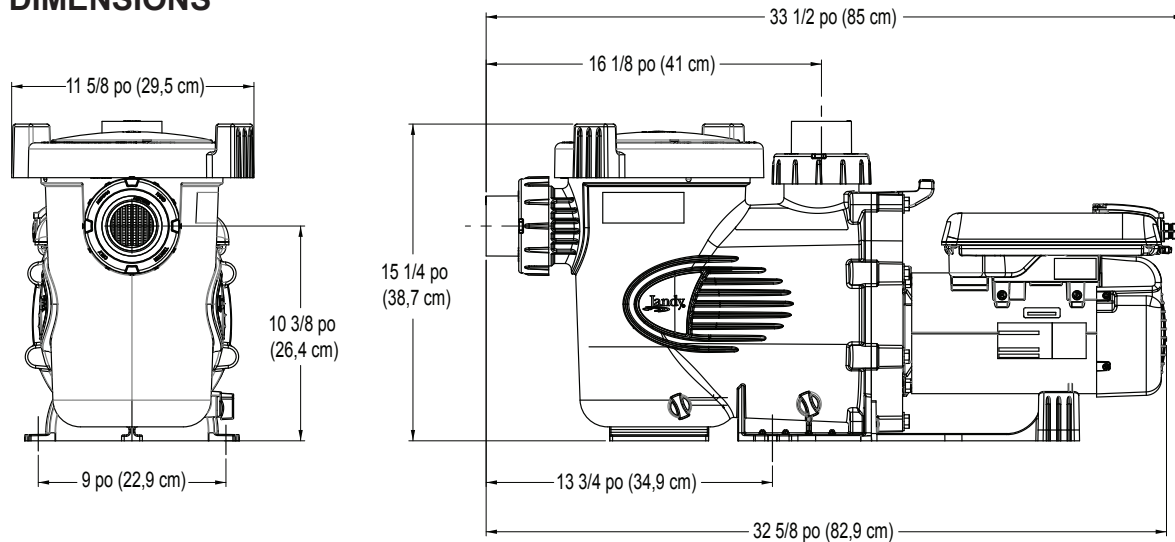


7.3 Caractéristiques physiques et fonctionnelles

Spécifications

Número de modèle	HP	TENSION	Watts	Dimensions de la canalisation	Poids du carton	Longueur hors tout
JEP2.0SVRS	0,25 à 2,7	230 Vca	2400 W	2 ½ à 3 po (63 à 76 mm)	27 kg (59,3 lb)	33 ½ po (85 cm)

DIMENSIONS



REMARQUE Au moment de l'installation d'une pompe, laisser un minimum de 0,60 m (2 pieds) de dégagement au-dessus de la pompe pour le retrait du panier-filtre.

Zodiac Pool Systems, Inc.
2620 Commerce Way, Vista, CA 92081
1 800 822-7933 | www.ZodiacPoolSystems.com

Zodiac Pool Systems Canada, Inc.
2115 South Service Road West, Unit 3 Oakville (ON) L6L 5W2
+ 1 (888) 647-4004 | www.ZodiacPoolSystems.ca



HOMOLOGUÉ
ETL CONFORME À
UL STD 1081



Certifié aux normes
CAN/CSA C22.2
N. 108

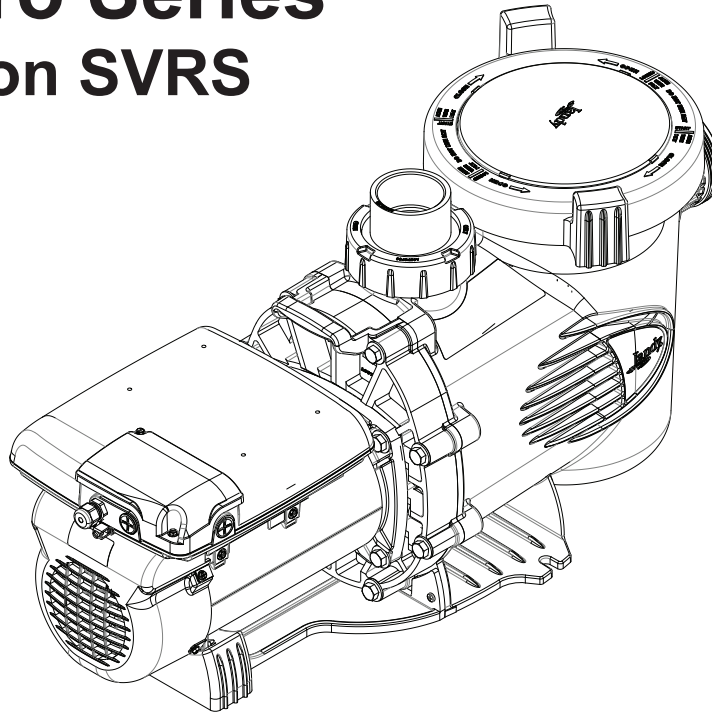
©2015 Zodiac Pool Systems, Inc. ZODIAC® est une marque déposée de Zodiac International, S.A.S.U., utilisée sous licence. Toutes les marques de commerce et marques déposées susmentionnées dans le présent document sont la propriété de leurs propriétaires respectifs.



MANUAL DE INSTALACIÓN Y OPERACIÓN

ENGLISH | FRANÇAIS | ESPAÑOL

Jandy Pro Series ePump™ con SVRS



⚠ ADVERTENCIA

El Sistema de liberación de vacío de seguridad (SVRS) puede evitar el atrapamiento completo del cuerpo. El SVRS no ofrece protección frente al atasco de cabello o de alguna parte del cuerpo, atrapamiento mecánico, o evisceración.

PARA SU SEGURIDAD - Este producto debe ser instalado y mantenido por un contratista con la licencia y la capacitación necesarias para trabajar con equipos para piscinas otorgadas por la jurisdicción donde se instalará el producto en caso de que existan tales requisitos estatales o locales. La persona que realiza la instalación o el mantenimiento debe ser un profesional con experiencia suficiente en la instalación y el mantenimiento de equipos para piscinas de tal manera que pueda seguir al pie de la letra todas las instrucciones de este manual. Antes de instalar este producto, lea y siga todas las instrucciones y preste atención a las advertencias en el manual adjunto. No prestar la debida atención a las advertencias y las instrucciones puede ocasionar daños a la propiedad, lesiones personales e incluso la muerte. La instalación y/o la operación incorrectas serán causa de anulación de la garantía.



La instalación y la operación incorrectas pueden crear un riesgo eléctrico imprevisto que puede ocasionar lesiones graves, daños a la propiedad e incluso la muerte.

ATENCIÓN INSTALADOR - Este manual contiene información importante acerca de la instalación, operación y utilización segura de este producto. Esta información debe ser entregada al dueño u operador de este equipo.

Índice

Sección 1. Instrucciones de seguridad importantes.....	51	Sección 4. Operación	64
1.1 Instrucciones de seguridad	51	4.1 Arranque.....	64
1.2 Indicaciones para prevenir atrapamientos en la succión de la bomba de piscina.....	54	4.2 Activación del SVRS.....	65
1.3 Ley de Seguridad en Piscinas y Spas Virginia Graeme Baker	55	Sección 5. Servicio y mantenimiento	65
Sección 2. Descripción general.....	56	5.1 Mantenimiento rutinario	65
2.1 Introducción	56	5.2 Preparación de la bomba para el invierno	65
2.2 Descripción	56	Sección 6. Diagnóstico, localización de averías y reparación.....	66
Sección 3. Información de instalación	56	6.1 Servicio de mantenimiento por un técnico	66
3.1 Hidráulica.....	56	6.2 Diagnóstico y localización de averías ..	67
3.2 Instalación eléctrica	58	Sección 7. Especificaciones del producto y datos técnicos	69
3.3 Regulación de los interruptores DIP de la ePump	61	7.1 Lista de repuestos y plano de despiece	69
3.4 Operación de carga auxiliar.....	61	7.2 Curvas de rendimiento	71
3.5 Prueba de presión	62	7.3 Especificaciones físicas y operacionales	71
3.6 Ejecución de la prueba de presión	64		
3.7 Prueba SVRS	64		

REGISTRO DE INFORMACIÓN DEL EQUIPO

FECHA DE INSTALACIÓN _____

INFORMACIÓN DEL INSTALADOR _____

LECTURA INICIAL DEL MEDIDOR DE PRESIÓN (CON EL FILTRO LIMPIO) _____

MODELO DE LA BOMBA _____

CABALLOS DE FUERZA _____

NOTAS:

Sección 1. INSTRUCCIONES DE SEGURIDAD IMPORTANTES

LEA Y SIGA ESTAS INSTRUCCIONES

1.1 Instrucciones de Seguridad

Todo el trabajo de electricidad deberá realizarlo un electricista certificado de conformidad con todos los códigos nacionales, estatales y regionales. Cuando se instale y utilice este equipo eléctrico, siempre se deberán seguir las siguientes precauciones básicas de seguridad:

ADVERTENCIA



RIESGO DE PELIGRO DE ATRAPAMIENTO POR SUCCIÓN QUE, SI NO SE EVITA, PUEDE RESULTAR EN LESIONES GRAVES O LA MUERTE. No bloquee la succión de la bomba, ya que esto puede causar lesiones graves o la muerte. No use esta bomba en piscinas para niños, piscinas de poca profundidad, o spas con drenajes en el fondo, a menos que la bomba esté conectada a por lo menos dos (2) puntos de succión funcionales. Las cubiertas de desagüe deben estar certificadas según la última edición publicada de ANSI®/ASME® A112.19.8 o norma sucesora, ANSI/APSP-16. Es absolutamente crítico que las conexiones de la succión se instalen de conformidad con los códigos nacionales y locales más recientes para piscinas.

ADVERTENCIA

Una válvula hidrostática instalada en la tubería de succión del sistema de circulación de la piscina puede incrementar el tiempo de vacío en la boca de succión, incluso cuando haya un dispositivo SVRS instalado en el sistema.

CÓMO PREVENIR RIESGO DE LESIONES GRAVES E INCLUSO LA MUERTE. NO utilice válvulas antirretorno de succión y/o válvulas hidrostáticas con esta bomba.

- Es posible que la función SVRS de esta bomba no funcione de forma efectiva cuando la bomba se encuentre instalada a más de 3 pies (1 m) por encima o por debajo del nivel de agua de la piscina. Por lo tanto, para reducir el riesgo de atrapamiento de succión, el cual puede provocar lesiones graves e incluso la muerte, **NO INSTALE LA BOMBA A MÁS DE 3 PIES (1 M) POR ENCIMA O POR DEBAJO** del nivel de agua de la piscina/spa.

ADVERTENCIA

Esta bomba posee un motor equipado con un Sistema de liberación de vacío de seguridad (SVRS) que cumple con la norma ANSI/ASME A112.19.17. El SVRS ayuda a evitar el atrapamiento completo de un cuerpo en desagües debido a tareas de succión. En algunas piscinas, si el cuerpo de una persona cubre la boca de succión (desagüe), pueden verse atrapados por la succión. Si esto ocurre, el SVRS puede actuar para liberar la succión y evitar que la persona se ahogue.

El SVRS **NO** ofrece protección respecto a otros riesgos de las bocas de succión (desagües) tales como:

- Atasco de cabello en la boca de succión.
- Atrapamiento mecánico: joyas, trajes de baño, dedos, etc. en la boca de succión.
- Atrapamiento de miembros: brazos o piernas atrapados en desagües rotos o descubiertos.
- Evisceración: la fuerza en la boca de succión que puede extraer los intestinos a través del recto y causar un daño irreversible.

ADVERTENCIA

Las cubiertas que están diseñadas e instaladas correctamente ayudan a prevenir los riesgos mencionados anteriormente. La bomba SVRS **NO** se utiliza como reemplazo de una cubierta de boca de succión diseñada e instalada correctamente. Todas las bocas de succión deben estar equipadas con las cubiertas designadas y el montaje de aditamento de boca de succión (SOFA) debe encontrarse en buenas condiciones y poseer certificación y marcado que indique el cumplimiento de la norma ANSI/ASME A112.19.8, o la norma sucesora ANSI/APSP-16, la norma concerniente a aditamentos de succión para el uso en piscinas de natación, piscinas para niños, spas y tinas de hidromasaje.

ADVERTENCIA

Antes de su uso, se debe probar la funcionalidad de la ePump con SVRS de la siguiente manera. Se debe instalar una válvula de bola, de mariposa o corrediza a dos pies (0,6 m) flujo arriba de la ePump con SVRS (entre la ePump con SVRS y la boca de succión protegida). De lo contrario, se debe utilizar una manta de prueba para cubrir la boca de succión para simular un atrapamiento. Se llevarán a cabo tres pruebas de atrapamiento simuladas para verificar el ajuste y la operación correctos del dispositivo.

⚠ ADVERTENCIA

La función de SVRS en esta bomba se encuentra inactiva hasta diez (10) minutos luego del encendido. Durante este período, la bomba no monitorea la condición de bloqueo del sistema de descarga o de succión. Cuando el SVRS no esté activo, por ejemplo durante los primeros diez (10) minutos luego del encendido, no permita que los bañistas utilicen la piscina.

⚠ ADVERTENCIA

Para reducir el riesgo de lesiones, no permita que los niños o adultos que no estén familiarizados con la operación de bombas de piscinas usen este producto sin estricta supervisión de forma permanente.

⚠ ADVERTENCIA

RIESGO DE DESCARGA ELÉCTRICA, INCENDIO, LESIONES PERSONALES O MUERTE. Antes de realizar el mantenimiento de la bomba, desconecte siempre su fuente de alimentación en el disyuntor y retire el cable de comunicación RS-485.

⚠ ADVERTENCIA

Para reducir el riesgo de daños materiales o lesiones personales, no intente cambiar la posición de la válvula de retrolavado (multiorificio, deslizamiento o caudal completo) con la bomba en funcionamiento.

⚠ ADVERTENCIA

Las bombas Jandy son accionadas por un motor eléctrico de alta tensión y deben ser instaladas por un electricista con licencia (o certificado) o por un técnico calificado en servicio de piscinas.

⚠ ADVERTENCIA

Debido al riesgo potencial de incendio, choque eléctrico o lesiones a las personas, las bombas Jandy se deben instalar de acuerdo con el Código Eléctrico Nacional® (NEC®), todos los códigos locales eléctricos y de seguridad, y la Ley de Seguridad y Salud Ocupacional (OSHA). Pueden solicitarse copias del código NEC a la National Fire Protection Association, 470 Atlantic Ave., Boston, MA 02210, o a su agencia gubernamental de inspección.

⚠ ADVERTENCIA

RIESGO DE DESCARGA ELÉCTRICA, INCENDIO, LESIONES PERSONALES O MUERTE. Nunca se debe abrir el compartimiento del motor. Conectar solamente a una rama del circuito que esté protegida por un interruptor de circuito por falla a tierra (GFCI). Contacte a un electricista autorizado si no puede verificar que el circuito está protegido por un GFCI. Asegúrese de que el instalador proporcione un GFCI (Interruptor de circuito por falla a tierra) y que sea probado de manera rutinaria. Para probar el GFCI, presione el botón de prueba. El GFCI debe interrumpir la energía. Presione el botón de reinicio. Se debe restablecer la energía. Si el GFCI no funciona de esta forma, significa que está defectuoso. Si el GFCI interrumpe la energía hacia la bomba sin presionar el botón de prueba, quiere decir que la corriente de tierra está circulando sin problemas, lo que indica la posibilidad de una descarga eléctrica. No utilice el dispositivo. Desconecte el dispositivo y solicite a un representante de servicio calificado que solucione el problema antes de utilizarlo.

⚠ ADVERTENCIA

Cuando se instale en una vivienda que no sea unifamiliar, el Código Eléctrico Nacional (NEC, NFPA-70) requiere que se instale un interruptor de apagado de emergencia (etiquetado con ese nombre), al cual los usuarios de la piscina/spa puedan acceder fácilmente. Dicho interruptor deberá encontrarse al menos a 5 pies (1,52 m) de distancia de la piscina o el spa.

⚠ ADVERTENCIA

Los equipos instalados incorrectamente pueden fallar y causar lesiones graves o daños materiales.

⚠ ADVERTENCIA

- No conecte el sistema a ninguna red de agua no regulada por la ciudad, o a otra fuente externa de agua presurizada que produzca presiones mayores a 35 psi.
- El aire atrapado en el sistema puede ocasionar la expulsión de la tapa del filtro, lo que puede causar serias lesiones e incluso la muerte o daño a la propiedad. Antes de operar asegúrese de que todo el aire del sistema haya salido.

⚠ ADVERTENCIA

La bomba Jandy Pro Series ePump con SVRS puede generar una presión del sistema de hasta 50 psi. Los instaladores deben garantizar que todos los componentes del sistema puedan soportar al menos 50 psi. Si se sobrepresuriza el sistema pueden producirse fallas catastróficas de los componentes o daños a la propiedad.

⚠ ADVERTENCIA

Para minimizar el riesgo de muerte o lesiones graves, el filtro y/o la bomba no deben someterse a la prueba de presurización del sistema de tuberías.

Las normas locales pueden requerir que el sistema de tuberías de la piscina sea sometido a una prueba de presión. Por lo general, estos requisitos no deben aplicarse a los equipos de la piscina, tales como filtros y bombas.

Los equipos de piscina Jandy se prueban por presión en la fábrica.

Sin embargo, si la ADVERTENCIA no se puede seguir y las pruebas de presión del sistema de tuberías deben incluir el filtro y/o la bomba, ASEGÚRESE DE CUMPLIR CON LAS SIGUIENTES INSTRUCCIONES DE SEGURIDAD:

- Compruebe si todas las abrazaderas, pernos, tapas, anillos de bloqueo, y accesorios del sistema están correctamente instalados y asegurados antes de la prueba.
- **LIBERE TODO EL AIRE** en el sistema antes de la prueba.
- La presión del agua para la prueba **NO DEBE EXCEDER 35 psi**.
- La temperatura del agua para la prueba **NO DEBE EXCEDER 100° F (38° C)**.
- Limite la prueba a 24 horas. Después de la prueba, verifique visualmente el sistema para asegurarse de que esté listo para funcionar.

Aviso: Estos parámetros sólo se aplican a los equipos Jandy. Para equipos que no son Jandy, consulte al fabricante del equipo correspondiente.

⚠ ADVERTENCIA

Los derrames de productos químicos y los gases pueden debilitar los equipos de la piscina. La corrosión puede producir fallas en los filtros y otros equipos, lo que podría resultar en lesiones graves o daños materiales. No almacene productos químicos para piscinas cerca de sus equipos.

⚠ PRECAUCIÓN

¡No arranque la bomba en seco! El funcionamiento de la bomba en seco puede causar daños graves y dejará nula la garantía.

PRECAUCIÓN

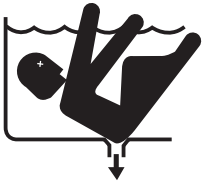
- Esta bomba es para el uso en piscinas de instalación permanente y también se puede utilizar en tinas de hidromasaje y spas, si así se indica. No la utilice en piscinas portátiles. La piscina permanente está empotrada en el suelo o sobre el mismo o en un edificio, de tal manera que no se puede desmontar fácilmente para su almacenamiento. La piscina portátil está construida de manera que puede ser fácilmente desmontada para su almacenamiento y volver a montarse en su estado original.
- No la instale debajo de la falda de una tina de hidromasaje. La bomba requiere una ventilación adecuada para mantener la temperatura del aire por debajo del rango de temperatura ambiente máxima que aparece en la placa del motor.
- Para la instalación de la bomba en Canadá, esta bomba tiene una cubierta tipo 3R y por lo tanto no está diseñada para su instalación en áreas sujetas a polvo esparcido por el viento.
- Instale la bomba de forma tal que los medios de desconexión o las cajas terminales de la alimentación se encuentren dentro del alcance de la bomba y al menos a cinco (5) pies (1,52 m) de la pared interior de la piscina y el spa. Las instalaciones en Canadá deben hacerse a por lo menos tres (3) metros del agua de la piscina.
- Consulte las instrucciones de la sección 3.2 “Conexiones eléctricas y puesta a tierra” de este manual y los códigos nacionales y locales para el uso de un conductor AWG n.º 8 o superior para la conexión adecuada del motor de la bomba y otros componentes metálicos o equipo eléctrico en las cercanías de la piscina o el spa.

⚠ ADVERTENCIA

La bomba Jandy Pro Series ePump con SVRS ha sido diseñada para operar con sistemas de control Jandy. Si se utilizan controladores de otros fabricantes es posible que ocurran fallas en el software de la bomba, el motor u otros componentes del sistema. Estas fallas (por ej., fallas del sistema SVRS, choque eléctrico) pueden provocar lesiones personales severas e incluso la muerte.

⚠ PELIGRO

Aviso para evitar atrapamientos: Las tapas de desagüe deben estar certificadas conforme a la última edición publicada de la norma ANSI®/ASME® A112.19.8 o norma sucesora, ANSI/APSP-16. Se deben inspeccionar regularmente estas cubiertas, y en caso de roturas o modelos que superen la vida útil del producto, según lo indica el fabricante, deben reemplazarse. El caudal máximo posible de esta bomba debe ser menor o igual al caudal máximo aprobado que el fabricante indica en la cubierta de la boca de succión. **EL USO DE CUBIERTAS INADECUADAS O PERMITIR EL USO DE LA PISCINA O EL SPA CUANDO HAY CUBIERTAS AUSENTES, AGRIETADAS O ROTAS PUEDE DAR COMO RESULTADO EL ATASCO DEL CUERPO TOTAL O PARCIALMENTE, EVISCERACIÓN Y/O LA MUERTE.**

1.2 Pautas de prevención de atrapamiento por succión de la bomba de la piscina**⚠ ADVERTENCIA**

PELIGRO DE SUCCIÓN. Puede causar lesiones graves o la muerte. No use esta bomba en piscinas para niños, piscinas de poca profundidad o spas con drenajes en el fondo, a menos que la bomba esté conectada a por lo menos dos (2) bocas de succión funcionales.

⚠ ADVERTENCIA

La succión de la bomba es peligrosa y puede atrapar, ahogar y eviscerar a los bañistas. No utilizar ni operar las piscinas, spas, jacuzzis si alguna de las tapas del desagüe de succión está ausente, rota o suelta. Las siguientes indicaciones proporcionan información para la instalación de la bomba minimizando el riesgo de lesiones para los usuarios de piscinas, spas y jacuzzis:

Protección contra atrapamiento - El sistema de succión de la bomba debe proporcionar protección contra los peligros de atrapamiento por succión.

Tapas de las bocas de succión - Todas las bocas de succión deben tener tapas instaladas correctamente y atornilladas en su lugar. Debe hacerse mantenimiento adecuado a todas las tapas de las bocas de succión (desagüe). Deben ser sustituidas si están agrietadas, rotas o ausentes. Las tapas de desagüe deben cumplir con la última edición publicada de la norma ANSI/ASME A112.19.8, o su norma sucesora, ANSI/APSP-16. Se debe cerrar la piscina y los usuarios no podrán ingresar mientras no se hayan reemplazado las cubiertas de desagüe faltantes, rotas o agrietadas.

Número de bocas de succión por bomba – Deben proporcionarse al menos dos (2) tomas de succión hidráulicamente equilibradas, con sus tapas, como salidas para cada línea de succión de la bomba de circulación. Los centros de las bocas de succión (bocas de succión) en una (1) línea de succión deben estar separados por lo menos tres (3) pies (1 m) de distancia, de centro a centro. Véase Figura 1.

El sistema **debe** estar construido para incluir al menos dos (2) bocas de succión (drenajes) conectadas a la bomba siempre que la bomba esté funcionando. Sin embargo, si dos (2) tomas de succión llegan a una sola línea de succión, esta línea de succión individual puede ser equipada con una válvula que cerrará las dos tomas de succión. El sistema deberá ser construido de tal manera que no permita el cierre por separado o independiente (aislamiento) de cada uno de los drenajes. Véase Figura 1.

Se pueden conectar bombas adicionales a una línea de succión única, siempre y cuando se cumplan los requisitos previamente mencionados.

GUARDE ESTAS INSTRUCCIONES

⚠ ADVERTENCIA

Velocidad del agua – La velocidad máxima del agua que pasa a través de la boca de succión y la cubierta de cualquier boca de succión no puede exceder el valor del caudal máximo aprobado tanto para la cubierta como para todo el conjunto. El montaje de la boca de succión (desagüe) y la cubierta correspondiente deben cumplir con la última edición de la norma ANSI®/ASME® A112.19.8, la norma concerniente a aditamentos de succión para el uso en piscinas de natación, piscinas para niños, spas y tinas de hidromasaje, o norma sucesora ANSI/ASME APSP-16.

Pruebas y certificación – Las cubiertas de bocas de succión deben haber sido probadas por un laboratorio de pruebas reconocido a nivel nacional y cumplir con la última edición publicada de la norma ANSI/ASME A112.19.8, o norma sucesora ANSI/APSP-16, la norma concerniente a *aditamentos de succión para el uso en piscinas de natación, piscinas para niños, spas y tinas de hidromasaje*.

Aditamentos – Aditamentos de restricción de flujo. Para obtener la mejor eficiencia posible utilizar la menor cantidad de aditamentos (pero por lo menos dos (2) bocas de succión).

Evite los aditamentos que puedan causar bolsas de aire.

Los aditamentos de limpieza de la succión deben ajustarse a los estándares aplicables de la Asociación Internacional de Fontanería y Operarios Mecánicos (IAPMO).

1.3 Ley de Seguridad en Piscinas y Spas Virginia Graeme Baker

La Ley de Seguridad en Piscinas y Spas Virginia Graeme Baker establece determinados requerimientos para los propietarios y operadores de piscinas y spas públicos.

Las piscinas o spas públicos construidos a partir del 20 de diciembre de 2008 deben cumplir con los siguientes requerimientos:

- (A) No utilizar bocas de succión sumergidas, un sistema de desagüe por gravedad con cubierta ASME/ANSI, o una o más bocas que no pueda ser bloqueada.
o
- (B) Utilizar un sistema de boca de succión múltiple sin capacidad de aislamiento con cubiertas de la salida de la succión que cumpla con ASME/ANSI A112.19.8 en relación a aditamentos de succión para uso en piscinas, piscinas para niños, spas y jacuzzis, y, ya sea:
 - (i) Un Sistema de liberación de vacío de seguridad (SVRS) que cumpla con las normas ASME/ANSI A112.19.17 Sistemas de liberación de vacío de seguridad (SVRS) fabricados para piscinas comerciales y residenciales, spas, hidromasajes, y sistemas de succión para piscinas de chapoteo y/o ASTM F2387 Especificación de la norma para los sistemas de liberación de vacío de seguridad (SVRS) fabricados para piscinas, spas e hidromasajes o
 - (ii) Un sistema de ventilación limitado por succión debidamente diseñado y comprobado o
 - (iii) Un sistema de apagado de bomba automático.

Las piscinas o spas públicos construidos antes del 20 de diciembre de 2008, con una sola boca de succión sumergida, deberán usar una cubierta para la boca de succión que cumpla con ASME/ANSI A112.19.8 y, ya sea:

- (A) Un sistema de boca de succión múltiple sin capacidad de aislamiento, o
- (B) Un Sistema de liberación de vacío de seguridad (SVRS) que cumpla con las normas ASME/ANSI A112.19.17 y/o ASTM F2387, o
- (C) Un sistema de ventilación limitado por succión debidamente diseñado y comprobado, o
- (D) Un sistema de apagado de bomba automático, o
- (E) Bocas sumergidas desactivadas, o
- (F) Bocas de succión reconfiguradas en entradas de retorno.

Para obtener más información, comuníquese con la Comisión para la Seguridad de los Productos de Consumo llamando al teléfono 301.504.7908 o visite www.cpsc.gov.

Sección 2. Descripción General

2.1 Introducción

Este manual contiene información para la instalación, operación y mantenimiento adecuados de las bombas de velocidad variable de la serie Jandy Pro Series ePump con SVRS (Sistema de liberación de vacío de seguridad). Los procedimientos indicados en este manual se deben seguir al pie de la letra. Para obtener copias adicionales de este manual, póngase en contacto con Soporte Técnico de Zodiac® llamando al teléfono 800.822.7933 o visite nuestro sitio web www.zodiacpoolsystems.com Para obtener más información de direcciones, consulte la contraportada de este manual.

2.2 Descripción

La bomba ePump con SVRS es una bomba de velocidad variable que puede funcionar desde 1050 RPM a 3450 RPM.

NOTA Es posible que algunos controladores indiquen velocidades más bajas que 1050 RPM incluso cuando la bomba funciona entre 1050 RPM y 3450 RPM.

Cuando se conecta al controlador ePump con SVRS, se pueden programar y almacenar un máximo de ocho (8) ajustes de velocidad. Esto le permite seleccionar la velocidad más adecuada para su aplicación. Una programación aún más versátil es posible usando el controlador RS AquaLink®.

Las bombas Jandy Pro Series ePump con SVRS están diseñadas para satisfacer las necesidades hidráulicas más exigentes de hoy en día en equipos de piscina. La carcasa de la bomba, la placa posterior, el difusor, el impulsor y el filtro de cabellos y pelusa (canasta del filtro) están hechos con materiales termoplásticos de alta calidad. Estos materiales fueron seleccionados por su fuerza y resistencia a la corrosión.

La bomba es accionada por un motor eléctrico directamente conectado a su impulsor. A medida que el motor eléctrico gira, hace que el impulsor gire, lo que obliga a que el agua fluya a través de la bomba. El agua fluye a través de la entrada de la bomba y luego en la canasta del filtro. La canasta del filtro atrapa partículas grandes. El agua entra luego en el centro de la carcasa de la bomba, fluye a través del impulsor hacia el difusor, y sale del orificio de descarga de la bomba.

Sección 3. Información de instalación

3.1 Hidráulica

Información de preparación

- Una vez que reciba la bomba, revise si la caja presenta daños. Abra la caja y revise si la bomba presenta daños, tales como grietas, abolladuras o la base doblada. Si encuentra algún daño, póngase en contacto con el remitente o el distribuidor donde adquirió la bomba.
- Inspeccione el contenido de la caja y verifique que no falten piezas. Véase la *Sección 7.1, Lista de piezas de repuesto y planos de despiece*.

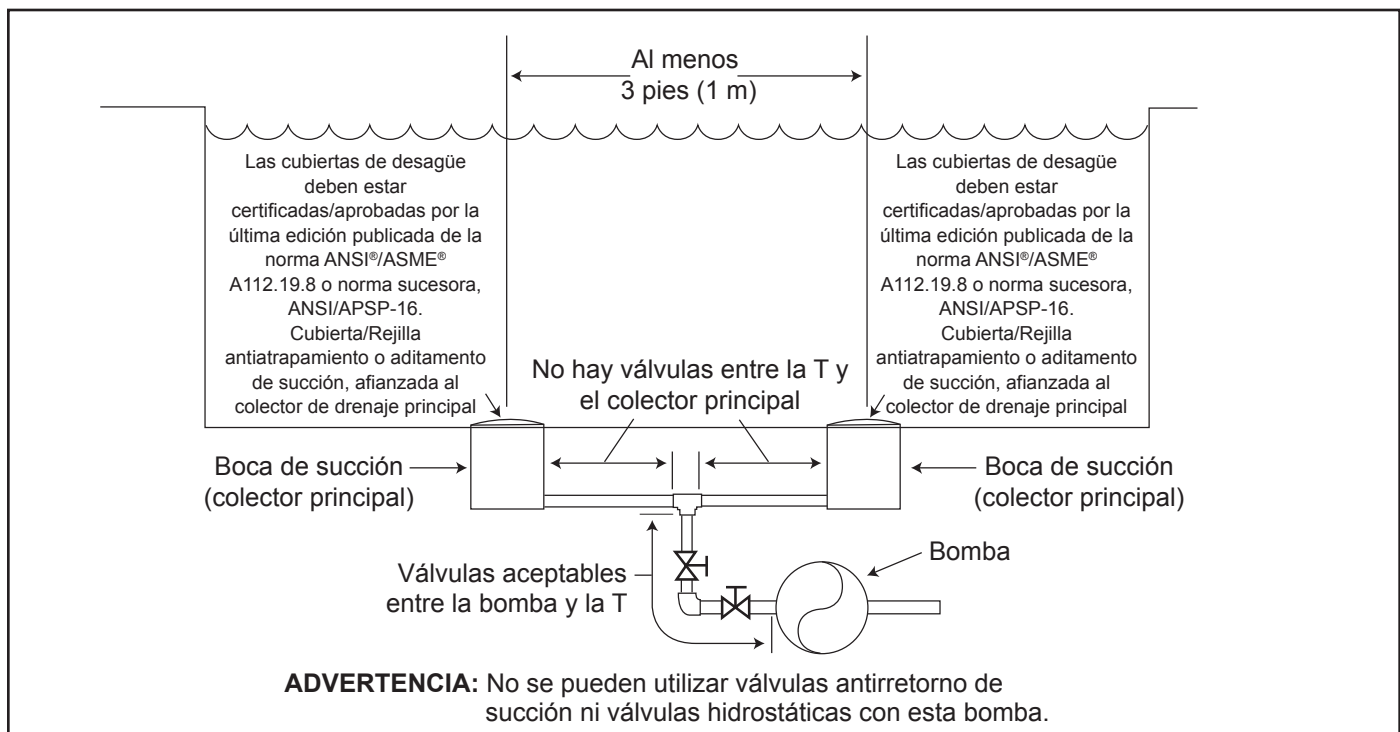


Figura 1. Número de bocas de succión por bomba

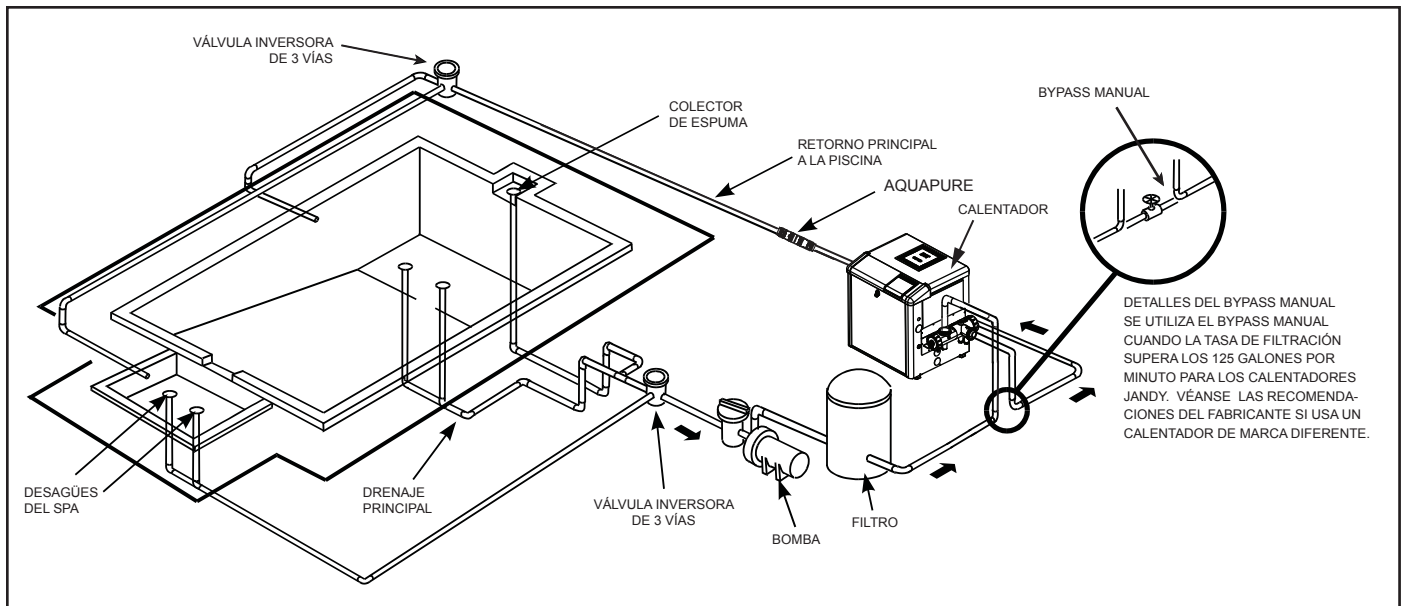


Figura 2. Instalación típica de tubería

Ubicación de la bomba

PRECAUCIÓN

Para la instalación de la bomba en Canadá, esta bomba tiene una cubierta tipo 3R y por lo tanto no está diseñada para su instalación en áreas sujetas a polvo esparcido por el viento.

1. Zodiac® recomienda que la bomba se instale a un (1) pie (30 cm) sobre el nivel del agua. Véase la Figura 2 de una instalación típica. La bomba no puede colocarse a más de tres (3) pies (1 m) por encima o por debajo del nivel del agua de la piscina.

⚠ ADVERTENCIA

Este dispositivo de Sistema de liberación de vacío de seguridad (SVRS) NO es compatible con la instalación de válvulas de antirretorno. **No se pueden utilizar** válvulas antirretorno de succión ni válvulas hidrostáticas con esta bomba.

Es posible que la función de SVRS de esta bomba no funcione correctamente si la bomba se encuentra instalada a más de 3 pies (1 m) por encima o por debajo del nivel de agua de la piscina. Por lo tanto, para reducir el riesgo de atrapamiento de succión, el cual puede provocar lesiones graves e incluso la muerte, **NO INSTALE LA BOMBA A MÁS DE 3 PIES (1 M) POR ENCIMA O POR DEBAJO** del nivel de agua de la piscina/spa.

2. Si la bomba se ubica por debajo del nivel del agua, deben instalarse válvulas de aislamiento tanto en la línea de succión como en la de retorno para evitar el reflujó del agua de la piscina durante cualquier servicio de rutina o necesario.
3. Instale la bomba de forma tal que los medios de desconexión o las cajas terminales de alimentación se encuentren dentro del alcance de la bomba y al menos a cinco (5) pies (1,52 m) horizontalmente del borde de la piscina y/o el spa. Elija un lugar que reduzca al mínimo las curvas en la tubería.

NOTA En Canadá, el Código Eléctrico Canadiense (CEC, CSA C22.1) requiere que se mantenga una distancia mínima de 3 metros (10 pies) del borde de la piscina y/o el spa.

4. La bomba debe ser colocada sobre una base sólida que no vaya a vibrar. Para reducir aun más la posibilidad de ruido por vibración, fije (con pernos) la bomba a los cimientos, o colóquela sobre una estera de goma.

NOTA Zodiac recomienda utilizar pernos para fijar la bomba directamente a la base.

5. La base de la bomba debe tener un drenaje adecuado para evitar que el motor se moje. Proteja la bomba de la lluvia y el sol.
6. Es necesaria una ventilación adecuada para que la bomba funcione con normalidad. Todos los motores generan calor que debe ser retirado mediante ventilación adecuada.
7. Proporcione acceso para los futuros servicios dejando espacio suficiente alrededor de la bomba. Deje suficiente espacio por encima de la bomba para poder quitar la tapa y la canasta del filtro para su limpieza.
8. Si el equipo está en una zona potencialmente oscura, proporcione iluminación adecuada.

Dimensiones de la tubería

Tubería de succión

El tamaño de la tubería del lado de succión será de 2,5 a 3 pulgadas (64 a 76 mm).

Tubería de descarga

El tamaño de la tubería del lado de descarga será de 2 a 3 pulgadas (50 a 76 mm).

NOTA Todos estos tamaños de tubería son capaces de resistir la presión que entregará la bomba, pero no necesariamente el flujo. Si la tubería de succión es demasiado pequeña para la bomba, o si se eleva por encima del agua, no se podrá obtener el máximo de galones por minuto (GPM). Si esto sucede, la bomba desarrollará una bolsa de aire (cavitación) que hace ruido. Esto puede acortar la vida útil de la bomba.

Recomendaciones de instalación

1. Para ayudar a prevenir problemas en el cebado, instale la tubería de succión, sin puntos elevados (por encima de la entrada de la bomba - “U” invertida, lo que comúnmente se conoce como cámaras de aire) que puedan atrapar el aire. Para instalaciones de equipos dentro de una distancia de hasta 100 pies (30 m) del agua, consulte la Tabla 1, la tabla de dimensiones de tuberías. Para instalaciones de equipos a una distancia de más 100 pies (30 m) del agua, el tamaño de la tubería recomendada se debe aumentar al tamaño siguiente.

Tabla 1. Diagrama de dimensiones de tuberías PVC 40

Tamaño de la tubería	Flujo máximo de succión (6 pies (1,8 m) por segundo)	Flujo máximo de descarga (8 pies (2,4 m) por segundo)
2" (50 mm)	62 GPM (235 LPM)	85 GPM (322 LPM)
2 ½" (64 mm)	88 GPM (333 LPM)	120 GPM (454 LPM)

NOTA La bomba ePump con SVRS deberá utilizarse cuando el caudal sea de 27 a 155 gpm. El tamaño de la tubería del lado de descarga deberá ser de 2 a 3 pulgadas (50 a 76 mm) y del lado de succión de 2,5 a 3 pulgadas (64 a 76 mm).

- Las bombas ePump con SVRS están equipadas con uniones en ambos orificios de succión y descarga. Esta característica simplifica la instalación y el servicio y elimina la posibilidad de fugas en los adaptadores roscados.
- Las bombas de la serie ePump con SVRS deben conectarse con al menos dos (2) bocas de succión hidráulicamente balanceadas para cada línea de succión de la bomba. Consulte la Figura 2. Cada desagüe debe estar provisto de tapas que cumplan con la última edición publicada de la norma ANSI®/ASME® A112.19.8 o norma sucesora ANSI/APSP-16. Las bocas de succión deben colocarse al menos a tres (3) pies (1 m) de distancia o en diferentes planos. Las bocas de succión pueden ser un drenaje y una espumadera, dos (2) desagües, dos (2) espumaderas, o una espumadera con una línea de igualación instalada. Para detalles y directrices adicionales, véase las normas ANSI / APSP 7, el estándar para evitar atrapamiento por succión en las piscinas, piscinas para niños, spas, jacuzzis, y sumideros. Compruebe los códigos locales los requisitos de una instalación correcta. Todos los códigos locales tendrán prioridad sobre otros códigos.
- La tubería debe estar bien apoyada y no puede forzarse en los puntos de estrés constante.

⚠ ADVERTENCIA

Para evitar el atrapamiento completo del cuerpo, el sistema debe ser construido de manera que no pueda funcionar con la bomba extrayendo agua de sólo una (1) boca de succión. El sistema debe tener al menos dos (2) bocas de succión conectadas a la bomba cuando se encuentre en funcionamiento. Sin embargo, si existen dos (2) bocas de succión en una sola línea de succión, la línea de succión única puede estar equipada con una válvula que apague simultáneamente ambas bocas de succión de la bomba.

- Siempre use válvulas del tamaño correcto. Las válvulas de desviación Jandy y las válvulas de bola Jandy tienen típicamente las mejores capacidades de flujo.
- Use la menor cantidad de aditamentos posibles. Todos los accesorios adicionales tienen el efecto de alejar más el equipo del agua.

NOTA Si se necesitan más de diez aditamentos de succión, el tamaño de la tubería debe ser aumentado.

- Cada nueva instalación debe someterse a una prueba de presión de acuerdo a los códigos locales.

3.2 Instalación eléctrica

Pruebas de voltaje

El voltaje correcto, como se especifica en la placa de la bomba, es necesario para un rendimiento adecuado y una larga vida del motor. Un voltaje incorrecto disminuirá el desempeño de la bomba y podría causar sobrecalentamiento, reduciendo la vida útil del motor y resultando en cuentas eléctricas más altas.

Es responsabilidad del instalador eléctrico proporcionar el voltaje de funcionamiento indicado en los datos de la placa la bomba, garantizando los tamaños adecuados de circuito y de cable para esta aplicación específica.

El Código Eléctrico Nacional® (NEC®, NFPA-70®) requiere que todos los circuitos de bomba de la piscina estén protegidos con un interruptor de falla a tierra (GFCI). Por lo tanto, también es responsabilidad del instalador eléctrico asegurarse de que el circuito de la bomba esté en el cumplimiento de éste y todos los demás requisitos aplicables del Código Eléctrico Nacional (NEC) y otros códigos aplicables a la instalación.

PRECAUCIÓN

No proporcionar el voltaje indicado en placa (dentro de un 10%) durante la operación causará que el motor se sobrecaliente y anulará la garantía.

Conexiones eléctricas y puesta a tierra

- Además de encontrarse con conexión a tierra según se describe en la sección *Cableado eléctrico*, y según los requerimientos del Código Eléctrico Nacional (NEC), o en Canadá el Código Eléctrico Canadiense (CEC), el motor de la bomba debe estar conectado a todas las partes de metal de la piscina, spa o hidromasaje y a todos los componentes eléctricos y equipos asociados con el sistema de circulación de agua de la piscina/spa.

- Las conexiones eléctricas y puesta a tierra deben realizarse mediante un conductor de cobre sólido n.º 8 AWG o más grande. En Canadá se debe utilizar el n.º 6 AWG o más grande. Unir el motor utilizando el terminal externo provisto (Véase Figura 3).

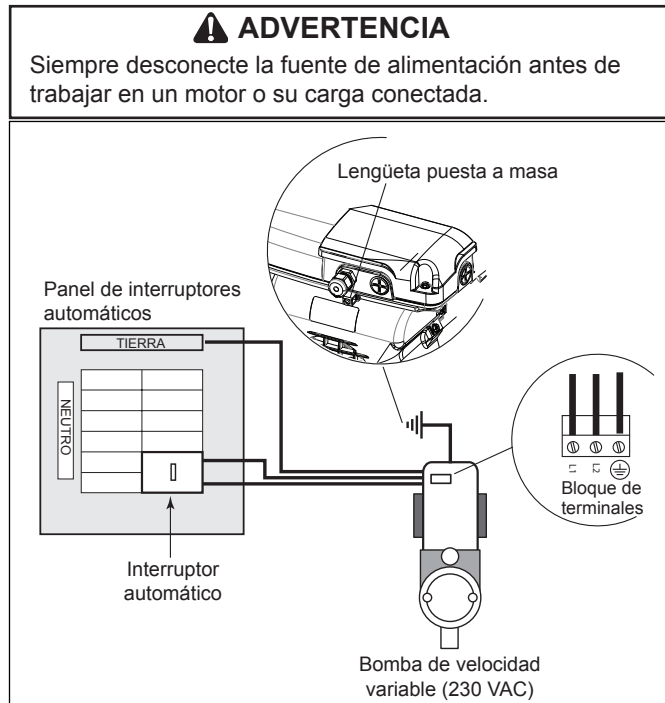


Figura 3. Unión del motor

⚠ ADVERTENCIA

Con el fin de evitar el riesgo de daños a la propiedad, lesiones personales graves y/o muerte, asegúrese de que el interruptor de control, marcador de tiempo, o el sistema de control estén instalados en un lugar accesible, de modo que en el caso de una falla del equipo o de tuberías, el equipo pueda ser fácilmente desactivado.

PRECAUCIÓN

La bomba debe estar permanentemente conectada a un circuito eléctrico dedicado. Ningún otro equipo, luces, electrodomésticos, o tomas pueden estar conectados al circuito de la bomba, con la excepción de los productos que pueden ser necesarios para operar simultáneamente con la bomba, como un dispositivo de cloración o de calefacción.

Cableado eléctrico

- El motor de la bomba debe ser puesto a tierra adecuadamente y de forma segura con el tornillo verde proporcionado. Complete el aterramiento antes de conectar al suministro de energía eléctrica. No conecte a tierra usando una tubería de suministro de gas.
- El tamaño del cable debe ser adecuado para minimizar la caída de tensión durante el arranque y funcionamiento de la bomba. Vea la Tabla 2 para los tamaños de cable sugeridos.
- Aísle todas las conexiones con cuidado para evitar cable a tierra o cortocircuitos. Los bordes afilados en los terminales requieren protección extra. Por razones de seguridad, y para evitar la entrada de contaminantes, reinstale todos los conductos y tapas de la caja de terminales. No fuerce las conexiones en la caja de conexiones.

NOTA Dado que la bomba es operada por un controlador ePump con SVRS (JEP-R), o por un Controlador RS AquaLink®, o por un Asistente Digital AquaLink (PDA) o Aqualink Z4, la bomba no se activará hasta que se utilice uno de estos controladores.

Instalación del controlador

⚠ ADVERTENCIA

La bomba Jandy Pro Series ePump con SVRS ha sido diseñada para operar con sistemas de control Jandy. Si se utilizan controladores de otros fabricantes es posible que ocurran fallas en el software de la bomba, el motor u otros componentes del sistema. Esta falla (por ej., una falla del sistema SVRS, choque eléctrico) puede provocar lesiones personales severas o incluso la muerte.

La bomba ePump con SVRS puede ser operada por uno de estos cuatro (4) los controladores: el controlador ePump con SVRS (JEP-R), el controlador RS AquaLink (Rev O o posterior), o el AquaLink PDA (Rev 4.0 o posterior), o Aqualink Z4.

Para instalar el controlador ePump con SVRS:

- NOTA** El número de pieza de la ePump con SVRS es JEP-R
- Corte la corriente de la ePump con SVRS desconectando las líneas de alta tensión o abriendo cualquier interruptor de energía al cual esté conectado.

Tabla 2. Tamaño del cable y protección contra sobrecorriente recomendados para las ePumps

TAMAÑO MÍNIMO DEL CABLE Y PROTECCIÓN CONTRA SOBRECORRIENTE PARA LAS BOMBAS SERIE ePump*		
Distancia desde el sub-tablero		0 – 45,72 m (0 –150 pies)
Modelo	Inverso - Disyuntor temporizado o fusible del ramal AMPS Clase: CC, G, H, J, K, RK, o T 230 VAC	Voltaje 208-230 VAC
JEP2.0SVRS	20A máx.	#12 mínimo de cobre sólido

*Asume tres (3) cables conductores de cobre en un conducto enterrado y un máximo de 3% de pérdida de voltaje por rama del circuito. Deben respetarse todos los códigos eléctricos locales y los del Código Eléctrico Nacional® (NEC®) de EE. UU. La tabla muestra el tamaño de cable mínimo y recomendaciones de fusibles por rama para una instalación típica según la NEC.

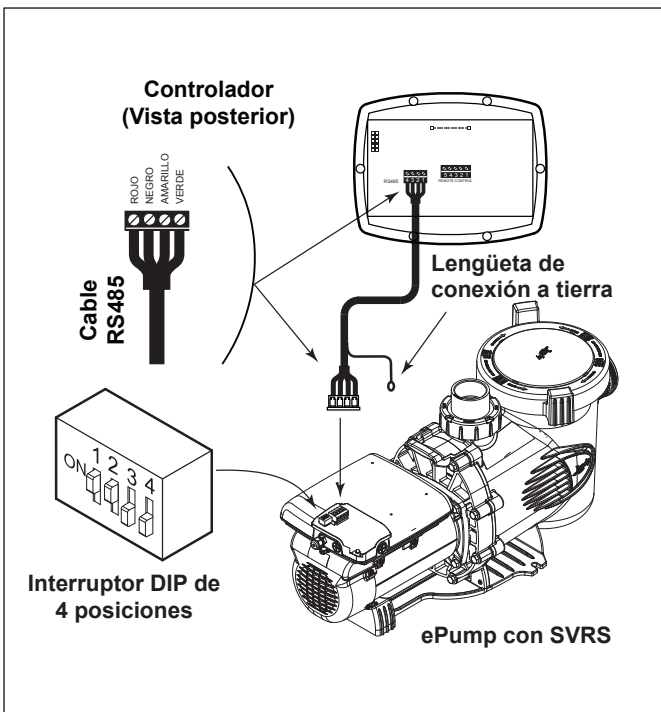


Figura 4. Cableado del controlador (JEP-R) de la ePump con SVRS a la ePump

⚠ ADVERTENCIA
RIESGO DE CHOQUE ELÉCTRICO
 Apague todos los interruptores y el interruptor principal en el circuito eléctrico de la ePump antes de iniciar el procedimiento. El incumplimiento de esta recomendación puede causar un riesgo de electrocución, que puede dar como resultado lesiones personales severas e incluso la muerte.

2. Retire la tapa de la caja terminal de la ePump con SVRS y alimente el cable RS-485 a través del aditamento.
3. Desconecte el conector RS-485 de la ePump con SVRS.
4. Inserte los cuatro (4) cables del cable RS-485 al conector RS-485. Haga coincidir los colores de los cables con las posiciones del conector de la siguiente manera: 1- rojo, 2- negro, 3- amarillo y 4- verde. Véase Figura 4.
5. Inserte el conector RS-485 de nuevo en la ePump.
6. Deslice los interruptores DIP 1 y 2 hacia arriba para que queden en la posición de encendido y los interruptores DIP 3 y 4 hacia abajo, para que queden en la posición apagado. Véase Figura 4.
7. Conecte el otro extremo del cable al controlador JEP-R. Haga coincidir los colores de los cables con las posiciones adecuadas del conector, tal como se describe en el Paso 4.
8. Restablezca el suministro de energía a la ePump con SVRS y verifique el funcionamiento del controlador (JEP-R).
9. Consulte el manual del propietario del controlador de la ePump con SVRS, H0412200, para operar la bomba.

Para instalar el controlador RS AquaLink® (Rev O o posterior) o el AquaLink PDA (Rev 4.0 o posterior) o AquaLink Z4:

1. Corte la corriente de la ePump con SVRS desconectando las líneas de alta tensión o abriendo cualquier interruptor de energía al cual esté conectado.
2. Retire la tapa de la caja terminal de la ePump con SVRS y alimente el cable RS-485 a través del aditamento.

⚠ ADVERTENCIA
RIESGO DE CHOQUE ELÉCTRICO
 Apague todos los interruptores y el interruptor principal en el circuito eléctrico de la ePump antes de iniciar el procedimiento. El incumplimiento de esta recomendación puede causar un riesgo de electrocución, que puede dar como resultado lesiones personales severas e incluso la muerte.

3. Desconecte el conector RS-485 de la ePump con SVRS y conecte los cuatro (4) cables del cable RS-485 al conector RS-485. Haga coincidir los colores de los cables con las posiciones del conector de la siguiente manera: 1- rojo, 2- negro, 3- amarillo y 4- verde. Véase Figura 5.
4. Inserte el conector RS-485 de nuevo en la ePump con SVRS.
5. Deslice los interruptores DIP 1 y 2 hacia abajo para que queden en la posición de apagado. Véase Figura 5.

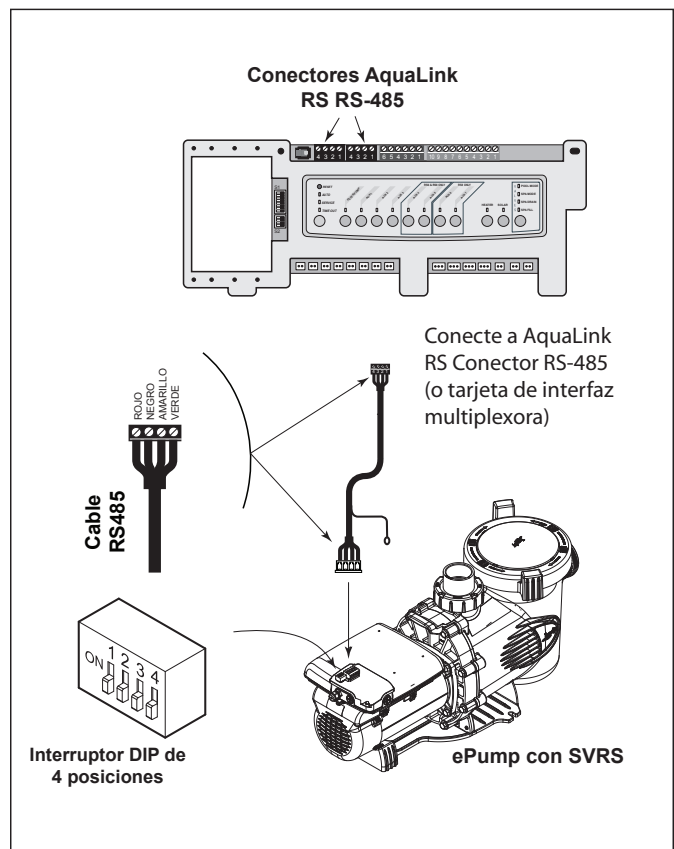


Figura 5. Cableado del controlador AquaLink RS o AquaLink PDA o AquaLink Z4 hacia la ePump

6. Seleccione las direcciones deseadas para la ePump con SVRS regulando los interruptores DIP 3 y/o 4, como se muestra en la *Sección 3.3, Regulación de los interruptores DIP de la ePump con SVRS*.
7. Conecte el otro extremo del cable al conector RS-485 en el RS AquaLink® (o tarjeta interfaz multiplexora), coincidiendo los colores de los cables con las posiciones del conector, como se describió en el paso 3.
8. Restablezca el suministro de energía a la ePump con SVRS y verifique el funcionamiento del controlador.
9. Consulte el manual de control correspondiente para obtener información sobre cómo operar la bomba. ePump con SVRS Manual del propietario del controlador (H0412200), AquaLink® RS Manual del propietario (6593), AquaLink PDA Manual del propietario (H0572300), o AquaLink Z4 Manual del propietario (H0386600).

3.3 Regulación de los interruptores DIP de la ePump con SVRS

Como se ve en las Figuras 4 y 5, el interruptor DIP de 4 posiciones está en la parte posterior de la ePump con SVRS. Este interruptor DIP tiene dos (2) funciones: selecciona la dirección de la bomba y determina qué tipo de controlador se puede utilizar con la bomba. Las siguientes tablas muestran la regulación de los interruptores DIP.

Interruptor 1	Interruptor 2	Controlador
OFF	OFF	AquaLink RS, AquaLink PDA o AquaLink Z4
ON	ON	ePump con SVRS Controlador (JEP-R)

Interruptor 3	Interruptor 4	Dirección de la bomba
OFF	OFF	BOMBA 1
ON	OFF	BOMBA 2
OFF	ON	BOMBA 3
ON	ON	BOMBA 4

3.4 Operación de la carga auxiliar (Aux)

La bomba Jandy Pro Series ePump con SVRS posee una barra terminal que permite que los usuarios accedan a un contacto de relé de carga auxiliar incorporado. Este contacto, generalmente abierto y seco, se activa bajo ciertas condiciones de operación y se utiliza principalmente para controlar dispositivos externos que requieren el caudal de agua del sistema para funcionar adecuadamente, tales como calentadoras, bombas de reforzador, clorinadores de agua salada, etc.

Véanse Figuras 6, 7 y 8 para obtener más detalles sobre la ubicación del compartimiento. Antes de proceder, se debe retirar la cubierta de acceso con tornillo Phillips.

Requerimientos de conexión de la carga auxiliar

⚠ ADVERTENCIA

RIESGO DE CHOQUE ELÉCTRICO

Debido al riesgo potencial de incendio, choque eléctrico o lesiones corporales, las bombas Jandy se deben instalar de acuerdo con el Código Eléctrico Nacional® (NEC®), todos los códigos locales eléctricos y de seguridad, y la Ley de Seguridad y Salud Ocupacional (OSHA). Pueden solicitarse copias del código NEC a la National Fire Protection Association, 470 Atlantic Ave., Boston, MA 02210, o en la agencia gubernamental de inspección que corresponda. En Canadá, las bombas Jandy deben instalarse de acuerdo con el Código Eléctrico Canadiense (CEC).

Nota: Los contactos de relé de la carga auxiliar están clasificados como 230V/11A RMS. Asegúrese de que los elementos del equipo que deben conectarse a la carga auxiliar no superen esta clasificación.

Diagrama de cableado para la fuente de alimentación compartida y carga auxiliar de 230 V

Nota: En esta configuración, es importante que se verifique que la fuente de alimentación compartida sea la correcta tanto para la bomba como para el equipo auxiliar.

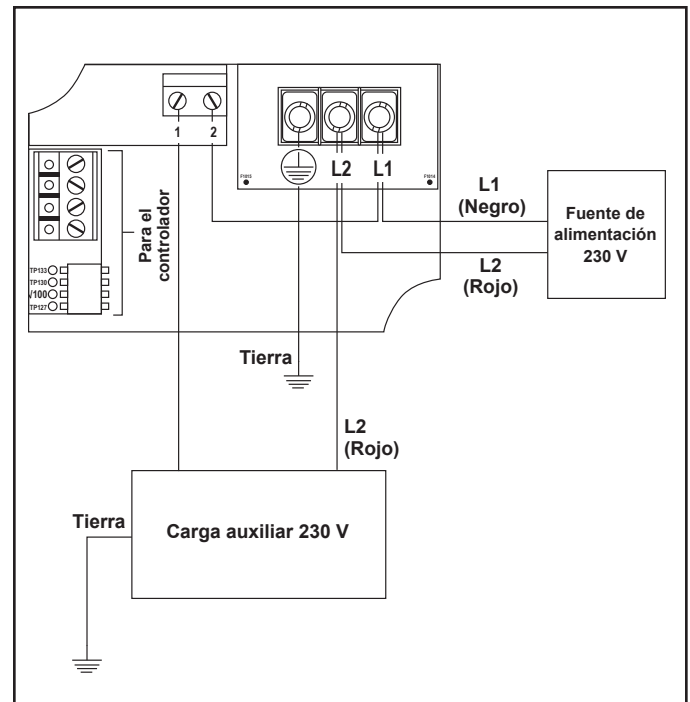


Figura 6. Diagrama de cableado de la carga auxiliar de 230 V, fuente de alimentación compartida

Diagrama de cableado de la carga auxiliar de 115 V, fuentes de alimentación separadas

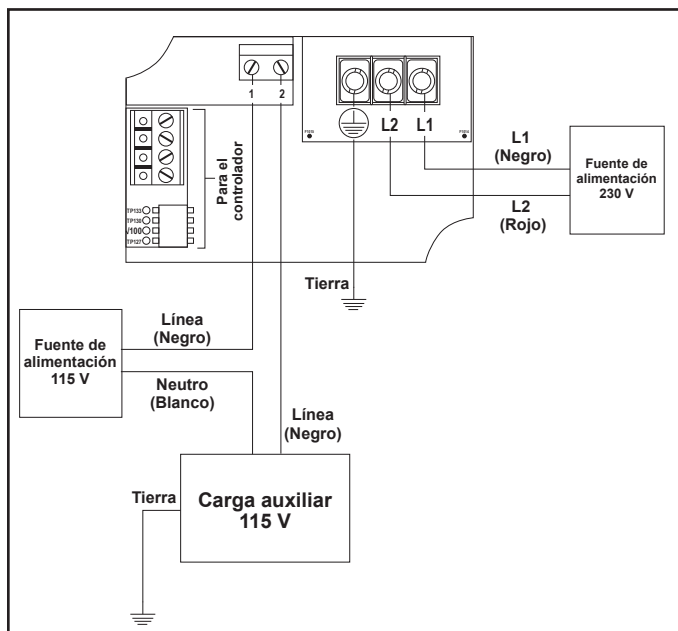


Figura 7. Diagrama de cableado de la carga auxiliar de 115 V, fuentes de alimentación separadas

Diagrama de cableado de la carga auxiliar de 230 V, fuentes de alimentación separadas

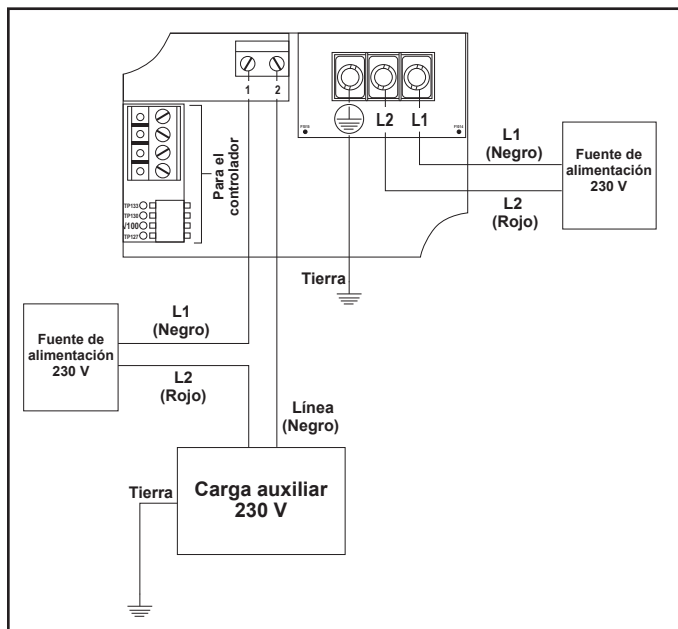


Figura 8. Diagrama de cableado de la carga auxiliar de 230 V, fuentes de alimentación separadas

Características de operación de la carga auxiliar

La activación del contacto del relé de la carga auxiliar depende de la velocidad y funciona según se describe a continuación:

Cierre del contacto

Desde una posición de parada, existe una demora de tres minutos antes de que el contacto de la carga auxiliar se cierre cuando la velocidad del motor alcanza las 1725 RPM y se mantiene.

Cuando funciona a menos de 1725 RPM, existe una demora de cinco segundos antes de que se cierre el contacto de la carga auxiliar cuando el motor alcanza (y mantiene) por lo menos 1725 RPM.

Apertura del contacto

Si la velocidad del motor es menor que 1725 RPM, el contacto de la carga auxiliar se abre. Las aperturas del contacto son siempre inmediatas.

3.5 Prueba de presión

Todas las bombas Jandy Pro Series ePump con SVRS vienen con una junta tórica adicional desechable para la prueba de presión. Ésta es la junta tórica azul para prueba de presión. Véanse Figuras 9 y 10.

PRECAUCIÓN

No abra la tapa de la bomba antes de la prueba de presión, debido a que la junta tórica azul para prueba de presión se puede caer. Si esto sucede, tendrá que volver a meterla en la tapa.

Si no ha abierto la tapa de la bomba, pase a la *Sección 3.6, Ejecución de la prueba de presión.*

Reemplace la junta tórica azul para prueba de presión en caso de ser necesario

Si abre la tapa de la bomba antes de realizar la prueba de presión, la junta tórica azul probablemente se caerá. Si esto sucede, deberá instalarla en la tapa de nuevo antes de la realización de la prueba de presión.

Existe un riesgo de que ocurran daños en la junta tórica azul durante la reinstalación. Si se dañó cuando se trataba de volver a instalarla, necesitará pedir una nueva junta tórica azul para prueba de presión antes de comenzar a realizar la prueba de presión.

Estas instrucciones describen los procedimientos adecuados para la sustitución, el uso y la eliminación de la junta tórica azul.

Las instrucciones se deben seguir al pie de la letra, Lea las instrucciones en su totalidad antes de comenzar el procedimiento.

Quite la tapa de la bomba

1. Asegúrese de que la bomba esté apagada.
2. Asegúrese de que el interruptor del disyuntor que acciona el motor de la bomba esté apagado.
3. Asegúrese de que todas las válvulas de aislamiento necesarias estén cerradas para evitar que el agua de la piscina llegue a la bomba.
4. Siguiendo las marcas en el anillo de cierre, gire el anillo hacia la izquierda hasta que la marca 'START' ('arranque') se alinee con los orificios.
5. Retire con cuidado la tapa con anillo de cierre.

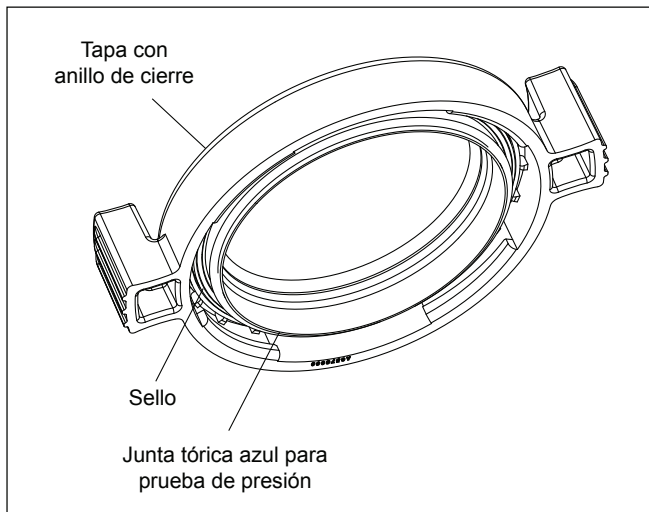


Figura 9. junta tórica azul para prueba de presión en la tapa de montaje

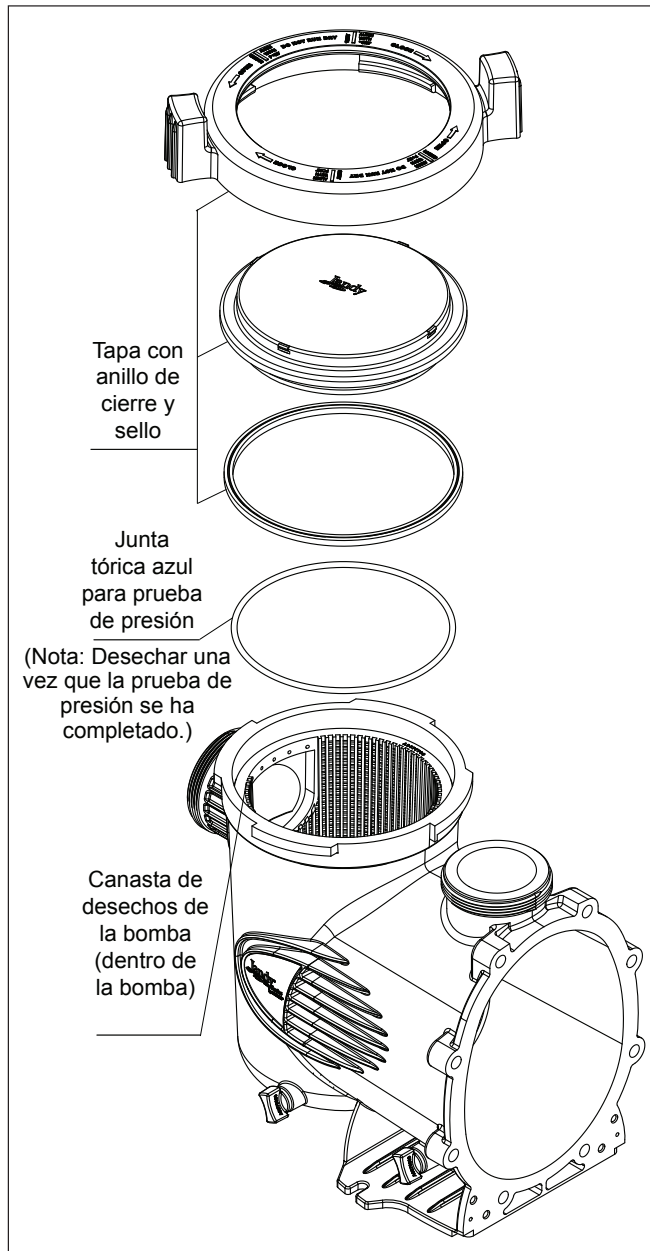


Figura 10. Plano de despiece de la bomba

⚠ ADVERTENCIA

RIESGO DE CHOQUE ELÉCTRICO

Apague la bomba y el interruptor principal en el circuito eléctrico de la bomba antes de iniciar el procedimiento. El incumplimiento de esta recomendación puede causar un riesgo de electrocución, que puede dar como resultado lesiones personales severas e incluso la muerte.

⚠ ADVERTENCIA

RIESGO DE CHOQUE ELÉCTRICO

Debido al riesgo potencial de incendio, choque eléctrico o lesiones corporales, las bombas Jandy se deben instalar de acuerdo con el Código Eléctrico Nacional® (NEC®), todos los códigos locales eléctricos y de seguridad, y la Ley de Seguridad y Salud Ocupacional (OSHA). Pueden solicitarse copias del código NEC a la National Fire Protection Association, 470 Atlantic Ave., Boston, MA 02210, o a su agencia gubernamental de inspección. En Canadá, las bombas Jandy deben instalarse de acuerdo con el Código Eléctrico Canadiense (CEC).

Reemplace la junta tórica azul

1. Ponga la tapa con anillo de cierre al revés y colóquela sobre una superficie estable.
2. Coloque la junta tórica azul en el espacio situado ¼" (6 mm) de la parte inferior de la tapa. Véase Figura 11.
3. Asegúrese de que la junta tórica esté asentada correctamente. Conviene "colocar" la junta tórica en el espacio en vez de hacerla "rodar". Eso evita que salga rodando.

NOTA La junta tórica azul se encuentra aproximadamente a ¼" (6 mm) de distancia de la junta. Véase Figura 11.

4. Instale con cuidado la tapa, asegurándose de que la junta tórica azul para prueba de presión se asiente en la carcasa sin "trabas" ni "deslizamientos". Utilice una solución jabonosa en caso de ser necesario lubricar.
5. Siguiendo las marcas en el anillo de bloqueo, alinee las marcas "START" (arranque) con los orificios y gire hacia la derecha hasta que las marcas "LOCKED" (bloqueado) se alineen con los orificios. **No apriete más allá de la marca LOCKED (bloqueado).**

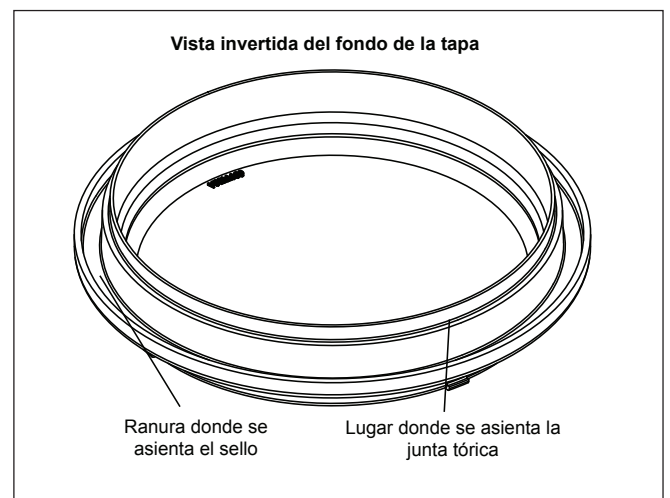


Figura 11. Colocación de la junta tórica azul para prueba de presión

3.6 Realizar la prueba de presión

ADVERTENCIA

Cuando se presuriza un sistema con agua para probarlo, a menudo queda aire atrapado en el sistema durante el proceso de llenado. Este aire se comprime cuando el sistema está bajo presión. En caso de fallo del sistema, el aire atrapado puede disparar partículas a gran velocidad y causar lesiones. Se deben hacer todos los esfuerzos posibles para eliminar el aire atrapado durante el llenado de la bomba, incluida la apertura de la válvula de purga del filtro y el aflojamiento de la tapa de la canasta del filtro de la bomba.

ADVERTENCIA

El aire atrapado en el sistema puede ocasionar la expulsión de la tapa del filtro, lo que puede causar lesiones serias e incluso la muerte o daño a la propiedad. Asegúrese de que todo el aire haya sido correctamente purgado fuera del sistema antes de operar. **NO USE AIRE COMPRIMIDO PARA HACER PRUEBAS DE PRESIÓN O COMPROBAR SI HAY FUGAS.**

ADVERTENCIA

No pruebe con presiones mayores de 35 psi. La prueba de presión debe ser realizada por un profesional de piscinas calificado. Todo equipo de circulación que no se haya probado adecuadamente puede fallar, lo que podría provocar lesiones graves o daños materiales.

ADVERTENCIA

Cuando se realice la prueba de presión del sistema con agua, es muy importante asegurarse de que la tapa de la canasta del filtro de la bomba esté completamente fija en su lugar.

1. Llene el sistema con agua, teniendo cuidado de eliminar el aire atrapado.
2. Presurice el sistema con agua a no más de **35 psi**.
3. Cierre la válvula para atrapar agua presurizada en el sistema.
4. Observe el sistema para detectar fugas y/o caídas de presión.
5. Si hay fugas en la tapa, repita los pasos 1-3. Para obtener asistencia técnica, llame al Soporte Técnico Zodiac® al 800.822.7933.
6. Después de completar con éxito la prueba, deseche la junta tórica azul para prueba de presión.

3.7 Prueba de la unidad SVRS

Se debe probar la unidad SVRS para garantizar un funcionamiento apropiado luego de su instalación y (a partir de entonces) mensualmente.

1. Al utilizar una válvula de bola, de mariposa o corrediza a dos pies (0,6 metros) flujo arriba de la bomba, se simula un atrapamiento al restringir el caudal de agua. También se puede utilizar una manta de prueba para cubrir la boca de succión a fin de simular un atrapamiento.

2. Cuando se detecta un atrapamiento, la bomba se apaga y se libera automáticamente el vacío creado por la bomba.
3. Luego de que la bomba se apaga, se debe retirar la restricción puesta en la línea de succión de la bomba. La bomba intentará encenderse nuevamente luego de un período de apagado de cerca de cuatro (4) minutos.
4. Repetir tres (3) veces para verificar el ajuste y operación adecuados.

Sección 4. Operación

4.1 Arranque

ADVERTENCIA

La función de SVRS en esta bomba se encuentra inactiva hasta diez (10) minutos luego del encendido. Durante este período, la bomba no monitorea la condición de bloqueo del sistema de descarga o de succión. Cuando el SVRS no esté activo, por ejemplo durante los primeros diez (10) minutos luego del encendido, no permita que los bañistas utilicen la piscina.

PRECAUCIÓN

Nunca haga funcionar la bomba sin agua. Hacer funcionar la bomba "en seco" por cualquier cantidad de tiempo puede causar graves daños a la bomba y al motor y anulará la garantía.

Si se trata de una piscina nueva, asegúrese de que toda la tubería esté libre de los residuos de construcción y que haya sido debidamente probada a presión. El filtro debe ser revisado para su correcta instalación, comprobando que todas las conexiones y abrazaderas estén aseguradas de acuerdo a las recomendaciones del fabricante.

ADVERTENCIA

Para evitar el riesgo de daños a la propiedad, lesiones personales graves o la muerte, verifique que la alimentación eléctrica esté apagada antes de iniciar este procedimiento.

1. Descargue toda la presión del sistema y abra la válvula de alivio de presión del filtro.
2. Dependiendo de la ubicación de la bomba, haga una de las siguientes cosas:
 - Si la bomba se encuentra por debajo del nivel del agua de la piscina, abra la válvula de alivio de presión del filtro para cebar la bomba con agua.
 - Si la bomba se encuentra por encima del nivel del agua de la piscina, retire la tapa y llene la canasta del filtro con agua antes de encender la bomba.
3. Antes de sustituir la tapa, compruebe si hay residuos alrededor de la tapa del asiento de la junta tórica. Los residuos alrededor de la tapa del asiento de la junta tórica harán penetrar el aire en el sistema y dificultarán el cebado de la bomba.

NOTA No utilice lubricantes o selladores a base de petróleo en la junta tórica de la tapa.

4. **Apriete a mano** la tapa para propiciar un sello hermético. No utilice ninguna herramienta para apretar la tapa: **sólo apriete a mano**. Asegúrese de que todas las válvulas estén abiertas y las uniones estén apretadas.
5. Restablezca el suministro eléctrico a la bomba. A continuación, encienda la bomba siguiendo las instrucciones del manual correspondiente: ePump con SVRS Manual del propietario del Controlador, H0412200, AquaLink® Manual del propietario del RS, 6593 o Manual del propietario del AquaLink PDA, H0572300, o Manual del propietario del Aqualink Z4, H0386600.
6. Una vez que todo el aire haya salido del filtro, cierre la válvula de alivio de presión.
7. La bomba se deberá cebar. El tiempo que toma el cebado dependerá de la altura y la longitud de la tubería utilizada en el suministro de succión. Véase la *Sección 3, Recomendaciones de Instalación*, para conocer las dimensiones de la tubería y su punto de elevación.
8. Si la bomba no se ceba y todas las instrucciones se han seguido hasta este punto, revise si hay una fuga de succión. Si no hay fugas, repita los pasos del 2 al 7.
9. Para obtener asistencia técnica, llame al Soporte Técnico de Zodiac® al número 800.822.7933.

4.2 Activación del SVRS

La funcionalidad del Sistema de liberación de vacío de seguridad (SVRS) de la bomba de velocidad variable detecta el atrapamiento de un cuerpo completo monitoreando eléctricamente los cambios de carga de la bomba. Si se detecta un atrapamiento, el motor se apaga por completo y se elimina el vacío que genera la bomba. Ante la detección de un atrapamiento, el motor adopta un estado de falla y se mantiene detenido durante 4 minutos. Luego de 4 minutos, se elimina la falla automáticamente y el motor estará listo para continuar funcionando.

Sección 5. Servicio y mantenimiento

5.1 Mantenimiento de rutina

Inspeccionar para ver si la canasta del filtro de la bomba contiene residuos mirando a través de la tapa transparente. Elimine todos los residuos, ya que a medida que los residuos se acumulan, comenzarán a bloquear el flujo de agua a través de la bomba. Mantener la canasta del filtro limpia para mejorar el rendimiento de la bomba.

1. Apague la alimentación eléctrica de la bomba. Si la bomba se encuentra por debajo del nivel del agua, cierre las válvulas de aislamiento en los lados de succión y descarga de la bomba para evitar el reflujos de agua.
2. Gire el anillo de cierre de la tapa hacia la izquierda hasta que “START” se alinee con los orificios. Retire la tapa cuidadosamente. (Puede usar una herramienta para hacer palanca).

PRECAUCIÓN

Una canasta del filtro desalineada hará que la tapa no quede correctamente asentada, permitiendo fugas de aire que podrían resultar en daños a la bomba.

3. Levante la canasta del filtro de la bomba.
4. Deseche los residuos y limpie a fondo la canasta del filtro, asegurándose de que todos los agujeros estén abiertos. Usando una manguera de jardín, rocíe la canasta del filtro desde afuera para ayudar a limpiar los agujeros. Elimine todos los residuos restantes con la mano.
5. Vuelva a colocar la canasta del filtro alineando la abertura con la tubería de succión. Si está alineada correctamente, la canasta del filtro caerá fácilmente en su lugar. **No la fuerce.**
6. Retire la junta de la tapa y elimine cualquier residuo que haya alrededor de su asiento, ya que esto puede permitir que el aire penetre en el sistema. Limpie la junta y colóquela en la tapa.
7. Vuelva a colocar la tapa con anillo de cierre. **Apriete a mano** la tapa para hacer un sello hermético. No utilice ninguna herramienta para apretar la tapa: **sólo apriete a mano.**
8. Verifique que todas las válvulas hayan regresado a la posición adecuada para el funcionamiento normal.
9. Abra la válvula de alivio de presión en el filtro, y asegúrese de que esté limpio y listo para funcionar.
10. Encienda la alimentación eléctrica de la bomba. Una vez que todo el aire haya salido del filtro, cierre la válvula de alivio de presión.

5.2 Preparación para el invierno

PRECAUCIÓN

La bomba **debe** protegerse cuando se anticipen temperaturas de congelación. Permitir que la bomba se congele causará daños graves y anulará la garantía.

PRECAUCIÓN

No use soluciones anticongelantes en los sistemas de piscina, spa, o jacuzzi. El anticongelante es altamente tóxico y puede dañar el sistema de circulación. La única excepción a esto es el propilenglicol. Para más información, consulte en su tienda proveedora de artículos de piscina/spa o póngase en contacto con una empresa calificada de servicios de piscina.

1. Drene **toda** el agua de la bomba, el equipo del sistema y las tuberías.
2. Retire los dos (2) tapones de drenaje. Almacene los tapones de drenaje en un lugar seguro y reinstálelos cuando la temporada de frío haya terminado. **No pierda las juntas tóricas.**

- Mantenga el motor cubierto y seco. No cubra la bomba con plástico, esto creará condensación que puede dañarla.

NOTA Zodiac Pool Systems, Inc. recomienda que un técnico de servicio calificado o un electricista desconecte correctamente el cableado eléctrico en la caja terminal. Una vez que se retire la electricidad, afloje las dos (2) uniones y almacene la bomba bajo techo. Por razones de seguridad, y para evitar la entrada de contaminantes, reinstale todos los conductos y tapas de la caja de terminales.

- Cuando el sistema se vuelva a abrir para su funcionamiento, llame a un técnico calificado o un electricista para que se asegure de que todas las tuberías, válvulas, cableado y el equipo estén de acuerdo con las recomendaciones del fabricante. Preste mucha atención a las conexiones eléctricas y el filtro. Inspeccione todos los aditamentos de las tomas de succión y las cubiertas, y asegúrese de que nada esté roto, y que todo esté bien instalado y asegurado.
- La bomba debe ser cebada antes de comenzar. Véase la *Sección 4.1, Arranque*.
- Se debe poner a prueba el funcionamiento adecuado de la unidad de SVRS. Véase la *Sección 3.7* para obtener más instrucciones.

Impulsor bloqueado

- Apague la bomba. Apague el disyuntor del motor de la bomba.
- Retire la tapa y la canasta del filtro.
- Busque residuos dentro de la bomba. Retire los residuos encontrados adentro.
- Vuelva a colocar la canasta del filtro y la tapa.
- Encienda el disyuntor del motor de la bomba.
- Encienda la bomba, y vea si el problema está resuelto.
- Si el impulsor sigue bloqueado con residuos y no es posible eliminarlos con los pasos 2 a 4, la bomba tendrá que ser desmontada para acceder a la entrada y la salida del impulsor.

Sección 6. Localización de averías y reparación

Para ordenar o comprar piezas para las bombas Jandy, contacte a su distribuidor Jandy más cercano. Si el concesionario Jandy no le puede proporcionar lo que usted necesita, póngase en contacto con Soporte Técnico de Zodiac llamando al teléfono 1.800.822.7933 o envíe un mensaje de correo electrónico a productsupport@zodiac.com.

6.1 Servicio de mantenimiento por un técnico

ADVERTENCIA

Este producto debe ser instalado y mantenido por un técnico profesional de mantenimiento, especializado en piscinas/spas. Los procedimientos indicados en este manual se deben seguir al pie de la letra. La instalación o el funcionamiento inadecuados pueden crear riesgos eléctricos peligrosos, que pueden causar altas tensiones a través del sistema eléctrico. Esto puede ocasionar daños a la propiedad, lesiones personales e incluso la muerte. La instalación y/o la operación incorrectas serán causa de anulación de la garantía.

ADVERTENCIA

Antes de reparar la bomba, apague los disyuntores en la propia la fuente de alimentación eléctrica. Graves lesiones personales o la muerte pueden ocurrir si tiene la mano dentro de la bomba al encenderla.

6.2 Diagnóstico y solución de averías

Síntoma	Posible causa y solución
El sistema de limpieza/circulación no está funcionando correctamente.	<p>Verifique que las canastas de la espumadera, canasta del filtro de la bomba y otras mallas estén limpias. Límpielas de ser necesario.</p> <p>Revise el filtro y límpielo de ser necesario.</p> <p>Compruebe las posiciones de regulación de la válvula. Ajústelas de ser necesario.</p> <p>NOTA Múltiples equipos funcionando a la vez (por ejemplo, cascadas, chorros de hidromasaje y retornos superficiales) afectarán el buen funcionamiento del sistema de limpieza.</p> <p>Consulte el manual del sistema de limpieza para asegurarse de que el sistema se ajuste a las recomendaciones del fabricante.</p>
Hay burbujas en la canasta del filtro de la bomba.	<p>Hay aire en el sistema. Compruebe el nivel de agua de la piscina o spa para asegurarse de que esté en el nivel apropiado y no se esté introduciendo aire en la tubería de succión. Si el agua está en el nivel normal, apague la bomba. Gire el anillo de cierre de la tapa hacia la izquierda hasta que la marca "START" (arranque) se alinee con los orificios. Retire la tapa y vea si hay residuos alrededor del asiento de la junta de la tapa, o si la junta de la tapa no está bien instalada, ya que cualquiera de esas condiciones permitirá que el aire penetre en el sistema. Limpie la junta y vuelva a colocarla en la tapa. Vuelva a colocar la tapa en la carcasa de la bomba. Alinee "START" (arranque) con los orificios y gire el anillo de bloqueo hacia la derecha hasta que la marca "LOCKED" (bloqueado) se alinee con los orificios. Apriete a mano la tapa para hacer un sello hermético. No utilice ninguna herramienta para apretar la tapa. Encienda la bomba de nuevo.</p>
Las fugas de aire persisten.	<p>Compruebe la unión del lado de succión de la tubería. Con la bomba en funcionamiento, trate de apretar la unión. Si esto no detiene la fuga de aire, apague la bomba. Afloje ambas uniones y quite la bomba deslizándola. Extraiga, limpie y vuelva a instalar tanto la unión como la junta tórica.</p> <p>Vuelva a colocar la bomba al lado de la tubería y asegure las tuercas de unión a la bomba. Con las juntas tóricas de unión limpias, el apretado manual será suficiente para crear el sello. Si las uniones aún no sellan, apriete suavemente con un alicate extensible.</p> <p>No apriete demasiado.</p>
No hay aire en el sistema, pero la presión sigue siendo baja.	<p>Es posible que haya residuos atrapados en el impulsor de la bomba. El impulsor de la bomba mueve el agua y las paletas de la turbina pueden bloquearse con residuos. Véase la <i>Sección 6.2, Servicio de mantenimiento por un técnico.</i></p>
No hay residuos en el impulsor y la presión aún es baja.	<p>El impulsor de la bomba y el difusor están mostrando señales de desgaste normal. Permita que un técnico de servicio calificado revise el impulsor y el difusor y los reemplace si es necesario.</p> <p>Si la bomba es parte de una instalación relativamente nueva, podría ser un problema eléctrico. Contacte a un técnico calificado. Permita que el técnico verifique si hay conexiones eléctricas sueltas y que compruebe el voltaje en el motor con la bomba en funcionamiento. El voltaje debe estar dentro del 10% de los datos indicados en su placa de datos. Si el voltaje no está dentro del 10%, comuníquese con un electricista calificado y/o el proveedor del servicio eléctrico local.</p> <p>El sello de la bomba tiene fugas de aire. Permita que un técnico de servicio calificado reemplace el sello.</p>
La bomba tiene una fuga de agua entre el motor y el cuerpo de la bomba.	<p>Esto es causado por un sello mecánico dañado. Éste es un proceso de sustitución de dos partes. El sello mecánico debe ser reemplazado en todo su conjunto con el Kit de reemplazo de sello mecánico. (R0479400)</p>
La bomba se calienta y se apaga de forma periódica.	<p>Asegúrese de que haya suficiente espacio alrededor del motor para que el aire circule y mantenga fresco el motor. Permita que el técnico verifique si hay conexiones eléctricas sueltas y que compruebe el voltaje en el motor con la bomba en funcionamiento. El voltaje debe estar dentro del 10% de los datos indicados en su placa de datos. Si el voltaje no está dentro del 10%, comuníquese con un electricista calificado y/o el proveedor del servicio eléctrico local.</p>

Síntoma	Posible causa y solución
<p>La bomba no arranca.</p>	<p>No hay energía hacia la bomba. Asegúrese de que la bomba esté correctamente conectada a alta tensión. Véase la <i>Sección 3.2, Instalación eléctrica</i>, en este manual.</p> <p>Cableado inadecuado de bajo voltaje. Revise si hay cableado de bajo voltaje entre la bomba y el controlador. Corríjalo si es necesario. Véase la <i>Sección 3.2, Instalación eléctrica</i>, en este manual.</p> <p>Colocación incorrecta de la dirección de la bomba. Asegúrese de que los interruptores DIP 3 y 4 de la ePump con SVRS se hayan regulado correctamente para la instalación. Ambos deben estar en "OFF" (apagado) para su uso con el controlador JEP-R de la ePump con SVRS o colocados en la dirección correcta cuando se conectan a un controlador RS AquaLink®, un AquaLink PDA o AquaLink Z4. Véase la <i>Sección 3.3, Regulación de los interruptores DIP de la ePump con SVRS</i>, en este manual.</p> <p>Hay una condición de falla. Vea el mensaje de error en el controlador y corrija la falla antes de continuar. Si no está seguro de cómo corregir la falla, póngase en contacto con Soporte Técnico de Zodiac llamando al teléfono 800.822.7933.</p>
<p>La pantalla LCD del controlador ePump con SVRS no muestra información.</p>	<p>Regulación incorrecta de los interruptores DIP. Asegúrese de que ambos interruptores DIP 1 y 2 de la ePump con SVRS estén en "ON" (encendido). Véase la <i>Sección 3.3, Regulación de los interruptores DIP de la ePump con SVRS</i>, en este manual.</p> <p>Cableado inadecuado de bajo voltaje. Revise si hay cableado de bajo voltaje entre la bomba y el controlador. Corríjalo si es necesario. Véase la <i>Sección 3.2, Instalación eléctrica</i>, en este manual.</p>
<p>El controlador muestra "Pump not connected" (bomba no conectada).</p>	<p>Cableado inadecuado de bajo voltaje. Revise si hay cableado de bajo voltaje entre la bomba y el controlador. Corríjalo si es necesario. Véase la <i>Sección 3.2, Instalación eléctrica</i>, en este manual.</p> <p>Colocación incorrecta de la dirección de la bomba. Asegúrese de que los interruptores DIP 3 y 4 de la ePump con SVRS se hayan regulado correctamente para la instalación. Ambos deben estar en "OFF" (apagado) para su uso con el controlador JEP-R de la ePump con SVRS o colocados en la dirección correcta cuando se conectan a un controlador RS AquaLink®, un AquaLink PDA o AquaLink Z4. Véase la <i>Sección 3.3, Regulación de los interruptores DIP de la ePump con SVRS</i>, en este manual.</p>
<p>Aparece un mensaje de error en la pantalla del controlador.</p>	<p>Hay una condición de falla. Vea el mensaje de error en el controlador y corrija la falla antes de continuar. Si no está seguro de cómo corregir la falla, póngase en contacto con Soporte Técnico de Zodiac llamando al número 800.822.7933.</p>
<p>Apagado de la bomba</p>	<p>Según la instalación de cada piscina, es posible que se experimente el apagado relacionado con el SVRS de la bomba Jandy ePump con SVRS resultante de otros eventos que no sean bloqueos del SVRS. Algunas causas de apagado pueden ser:</p> <ol style="list-style-type: none"> 1. Arrastre de aire en el caudal de succión, incluso por unos segundos. El arrastre de aire puede originarse a raíz de un limpiador de succión que alcance la superficie de la piscina, un remolino en una espumadera, o cualquier otro problema que permita que el aire ingrese en el caudal de succión. 2. Conexión o desconexión de una manguera de vacío de la piscina cuando la bomba está funcionando. Si esto sucede, conecte la manguera de vacío de la piscina cuando la bomba esté apagada. 3. Incapacidad de la bomba de lograr un caudal normal durante el cebado. Al encenderse, si la bomba no detecta un caudal normal, la bomba continuará en cebado durante aproximadamente 10 minutos, y luego se apagará. La bomba seguirá apagada durante aproximadamente 10 minutos, e intentará encenderse nuevamente. Cuando la bomba se está cebando, las funciones del SVRS se desactivarán. Cuando la bomba detecte un caudal normal, se activarán las funciones del SVRS.

Sección 7. Especificaciones del producto y datos técnicos

7.1 Lista de piezas de repuesto y plano de despiece

Para ordenar o comprar piezas para las bombas Jandy Pro Series contacte a su distribuidor Jandy más cercano. También puede comunicarse con Soporte Técnico de Zodiac llamando al número 800.822.7933.

Nº de clave	Descripción	Nº de pieza
1	Motor con accionador, serie ePump con SVRS	R0562205
2	Placa posterior, bomba, SHP, PHP/MHP/JEP	R0445200
3	Impulsor, Montaje, SHP, PHP, JEP	R0445305
4	Difusor con la junta tórica y accesorios necesarios	R0445400
5	Sellos mecánicos (carbón y cerámica)	R0479400
6	Cuerpo, bomba	R0445601
7	Montaje de la base de soporte del motor, SHP	R0445700
8	Anillos de bloqueo (Con tapa y junta tórica)	R0445800
9	Canasta del filtro	R0445900
10	Conexión, Drenaje (Juego de 2)	R0446000
11	Pieza de cola (2" x 2½") (50 x 64 mm) con tuerca de unión y junta tórica (juego de 2)	R0446101
12	Sello, Tapa	R0446200
13	Junta tórica azul para prueba de presión	R0479000
14	Junta tórica, Placa posterior	R0446300
15	Junta tórica, pieza de cola (Juego de 2)	R0446400
16	Elementos del Difusor/Impulsor	R0446500
17	Elementos de la placa posterior con un juego de 8 pernos y arandelas	R0446600
18	Elementos del motor con un juego de 4 pernos y arandelas	R0446700
19	Tornillos, Base de soporte del motor (Juego de 2)	R0446800
20	Cubierta, ventilador, con elementos necesarios, Serie JEP (Gen II)	R0562400
21	Conector, Control de velocidad, ePump (Conector de 4 pines) (No mostrado)	R0660900
22	Aditamento del pasante del cable de datos	R0501100
23	Tornillo, caja eléctrica (Juego de 2)	R0562600
24	Tornillo con junta tórica, autosellante	R0515400
25	Cable, RS485, kit de repuesto	R0535100

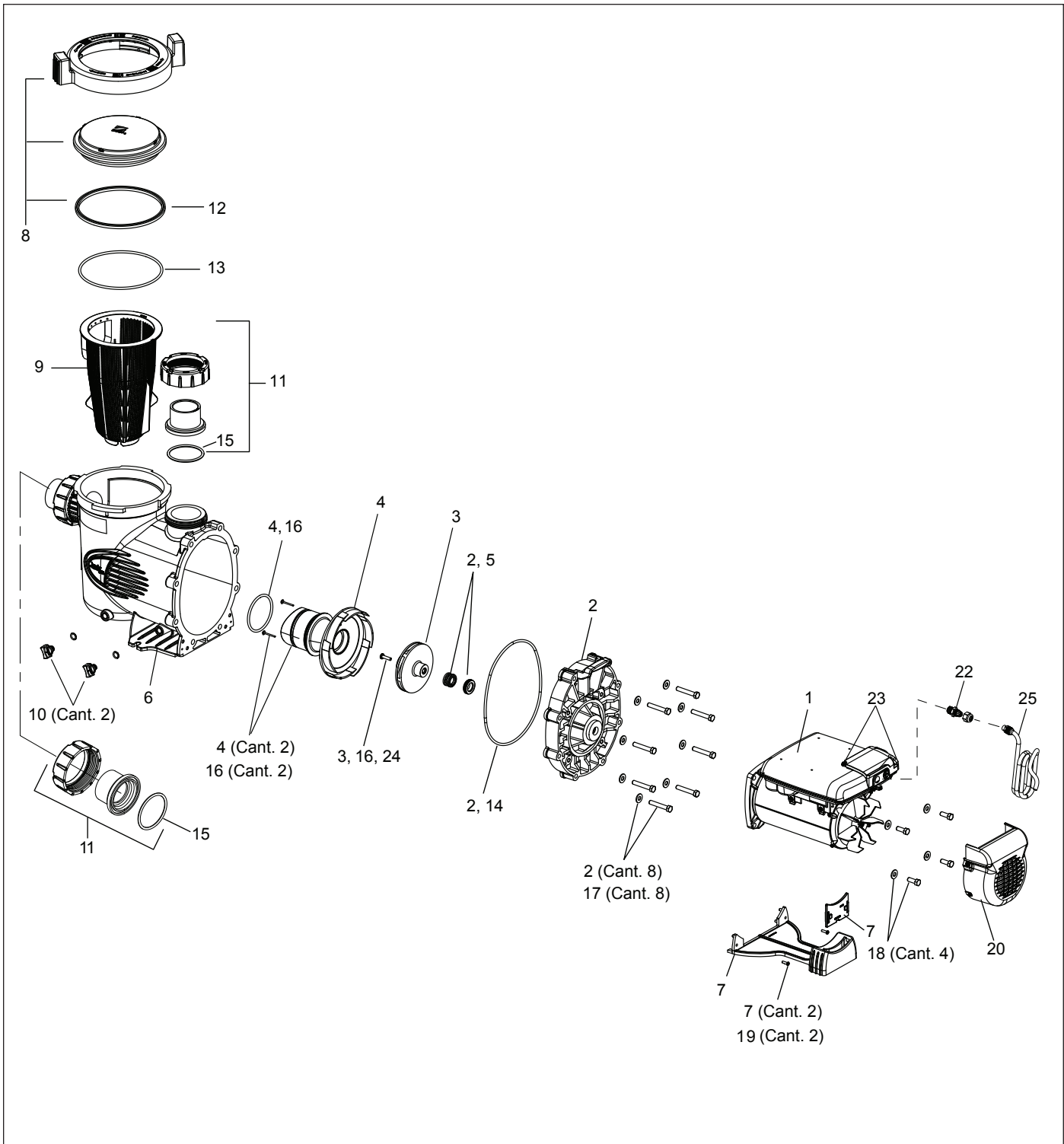
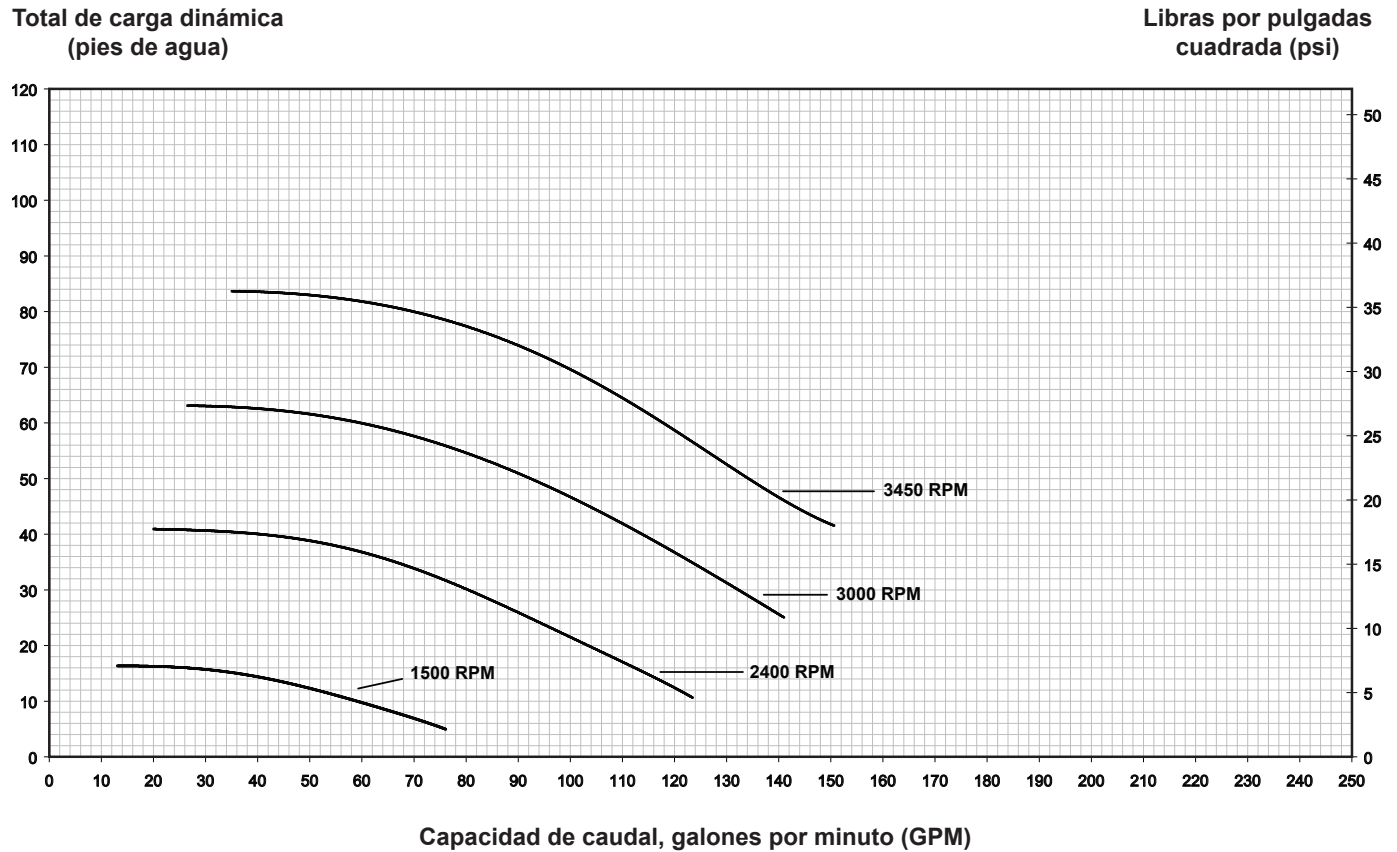


Figura 9. Plano de despiece de la ePump con SVRS

7.2 Curvas de rendimiento

ePump con SVRS Curvas de bomba

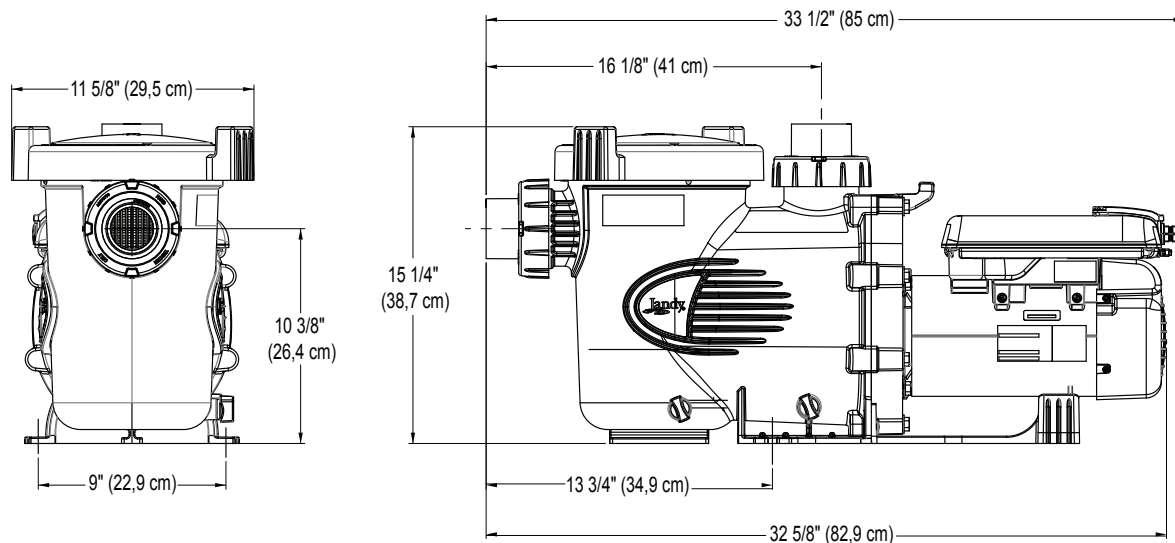


7.3 Especificaciones físicas y operacionales

Especificaciones

Nº de modelo	HP	Voltaje	Vatios	Tamaño de la tubería	Peso de la caja	Longitud total
JEP2.0SVRS	0.25 - 2.7	230 VAC	2,400 W	2 ½ - 3" (63 a 76 mm)	27 kg. (59,3 lbs)	33 ½" (85 cm)

Dimensiones



NOTA Cuando se instale la bomba, debe dejar un mínimo de 2 pies (0,6 m) de espacio libre por encima de la bomba para la extracción de la canasta del filtro.

Zodiac Pool Systems, Inc.
2620 Commerce Way, Vista, CA 92081
1.800.822.7933 | www.ZodiacPoolSystems.com

Zodiac Pool Systems Canada, Inc.
2115 South Service Road West, Unit 3 Oakville (ON) L6L 5W2
+ 1 (888) 647-4004 | www.ZodiacPoolSystems.ca



LA MARCA "ETL LISTED" SIGNIFICA QUE CUMPLE CON LA NORMA "UL STD 1081"



Certificado por CAN/CSA C22.2 Nº 108